

16011-NG



Call Us First!
DO NOT RETURN TO STORE.

For questions on assembly or for general inquiries, you may contact us in the following ways:
Call customer service: **1-800-577-9663**

AVOID THE WAIT!

visit us online at
help.backyardproducts.com

- Submit a help request
- Answers to frequently asked questions
- Live chat with an agent



Did you enjoy building your shed?

JOIN OUR TEAM
AND MAKE UP TO \$1,500/WEEK*

Call a Recruiter Today! 734-365-7000



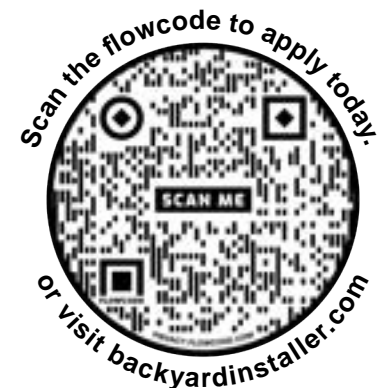
Flexible schedule



No selling,
just building



Bonus incentives
available



*based on number of completed installations

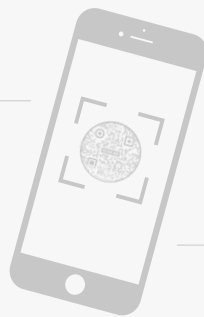
Win \$500

A new winner is selected every 2 months.

Review your product for the chance to win a **\$500 Visa Gift Card**.



How to Enter:



Open camera.
Aim. Tap.



1

Scan
QR code above.

2

Click
'write a review'

3

Find your product.
Tell us what you think.

4

Submit your review.
You'll be notified by e-mail if
you've won the \$500 gift card.

Write a Backyard Products, LLC. product review at backyardreviews.net for a chance to win a \$500 Visa gift card. No purchase necessary to enter. Must be legal U.S. resident (including DC & Puerto Rico), 18 or older to participate. Taxes on prize are responsibility of winner. Odds of winning depend on the number of eligible reviews received. Void where prohibited. For complete details and official rules, visit <https://backyardreviews.net/sweepstakes-rules>.



A Backyard Products Company

ASSEMBLY MANUAL

16011-NG

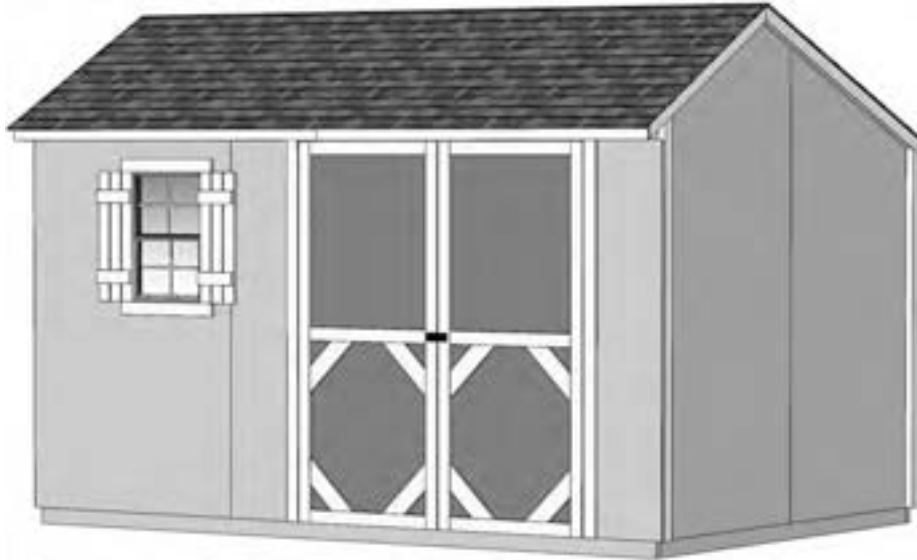
06/08/2021

VALUE SERIES

STRATFORD 12' x 8' (366 x 244 cm)

ACTUAL FLOOR SIZE IS 141 x 96" (358 x 244 cm)

KEEP THIS MANUAL FOR FUTURE REFERENCE



⚠ IMPORTANT! ⚠

READ INSTRUCTIONS THOROUGHLY PRIOR TO BEGINNING ASSEMBLY.

BEFORE YOU BEGIN

• BUILDING RESTRICTIONS AND APPROVALS

Be sure to check local building department and homeowners association for specific restrictions and/ or requirements before building.

• ENGINEERED DRAWINGS

Contact our Customer Service Team if engineered drawings are needed to pull local permits.

• SURFACE PREPARATION

To ensure proper assembly you must build your shed on a level surface.

Recommended methods and materials to level your shed are listed on page 8.

• CHECK ALL PARTS

Inventory all parts listed on pages 4-6.

• ADDITIONAL MATERIALS

You will need additional materials to complete your shed. See pages 3 for required and optional materials and quantities.



*****CONTACT OUR CUSTOMER SERVICE TEAM
IF ANY PARTS ARE MISSING OR DAMAGED*****






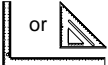










- Order form and warranty at back of manual -

Call: 1-800-577-9663 email: customerservice@heartlandind.com


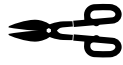



TOOLS

Required

- Phillips Screwdriver 
- Drill / Driver
 - 3/8" Drill Bit
 - #2 Phillips Drive Bit
- Hammer 
- Level 
- Pencil 
- Tape Measure 
- Square  or 

- Utility Knife 
 - Shingle Blades 
- Caulk Gun 
- Paint Tools 
- Safety Glasses 
- Hand Saw 
- Ladder 

Optional

- Tool Belt/ Nail Pouch 
- Tin Snips (for drip edge) 
- Chalk Line 
- Nail Gun
 - gun nails 
- Gloves 

Safety! Always use approved safety glasses during assembly.

HELPFUL REMINDER SYMBOLS

Look for these symbols for helpful reminders throughout this manual.



= Assistance Required; (2) or more people.



= Ensure squareness.



= Important required step or operation.



= Helpful assembly hint.



= Mark part with pencil.



BEGIN = Beginning of steps for assembly or installation.



FINISH = You have finished the assembly or installation.

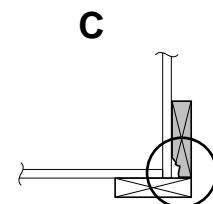
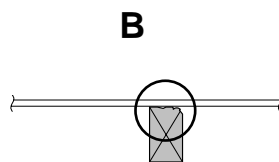
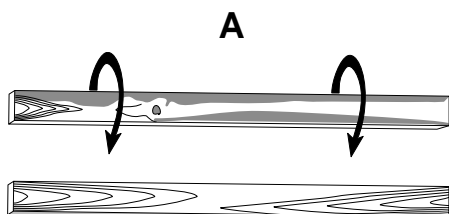


= Level

ORIENT LUMBER AND TRIM FOR BEST APPEARANCE

Framing lumber is graded for structural strength and not appearance. Exterior trim is graded for one good side.

Always install the material leaving the best edge and best surface visible. Please remember that these blemishes in no way negatively affect the strength or integrity of our product. (See Fig. A, B, C.)




ADDITIONAL MATERIALS FOR BUILDING YOUR SHED

3-TAB SHINGLES 5 Bundles

1" GALVANIZED ROOFING NAILS.... 2 Lbs
For shingles.

PAINT FOR SIDING 2 Gallons
Use 100% acrylic latex exterior paint. (2) coats recommended.

PAINT FOR TRIM 1 Quart
Use 100% acrylic latex exterior paint.

CAULK 3 Tubes
Use acrylic latex exterior caulk that is paintable. 

1" GALVANIZED ROOFING NAILS.....1/4 Lb
For roofing felt.

FOUNDATION

- This shed kit **does not** include a wood floor frame or floor panels. See **pages 10 through 14** for suggested floor construction.
- This shed does not include ANY leveling materials.
- See the FLOOR LEVELING section on page 8 for recommended methods and suggested materials to properly level your floor, as this will vary depending on your specific site.
- See the CONCRETE FOUNDATION section on page 9 for recommended methods to build your shed on a poured concrete slab.

WOOD FLOOR FRAME (NOT INCLUDED)

Use Treated Lumber For Floor Framing

MATERIAL LIST:

CUT LIST:

- | | |
|--|---|
| <p><input type="checkbox"/> x10 2 x 4 x 96" (5 x 10 x 243,8 cm) Treated Lumber.</p> <p><input type="checkbox"/> x2 2 x 4 x 144" (5 x 10 x 365,7 cm) Treated Lumber.</p> <p><input type="checkbox"/> x40 10D 3" (7,6 cm) Hot Dipped Galvanized Nails</p> | <p><input type="checkbox"/> x10 2 x 4 x 93" (5 x 10 x 236,2 cm)</p> <p><input type="checkbox"/> x2 2 x 4 x 141" (5 x 10 x 358,1 cm)</p> |
|--|---|

FLOOR PANELS (NOT INCLUDED)

MATERIAL LIST:

CUT LIST:

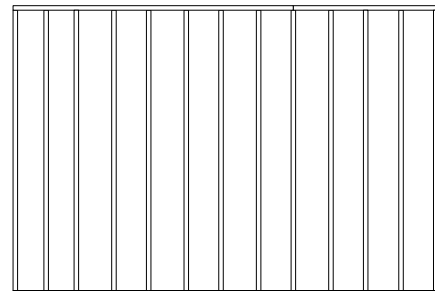
- | | |
|--|--|
| <p><input type="checkbox"/> x3 5/8 x 48 x 96" (1,6 x 122 x 243,8 cm) OSB Panels
(Recommend 5/8" (1,6 cm) (minimum) thick OSB panels)</p> <p><input type="checkbox"/> x186 6D 2" (5,0 cm) Hot Dipped Galvanized Nails</p> | <p><input type="checkbox"/> x1 5/8 x 45 x 96" (1,6 x 1114 x 243,8 cm)</p> |
|--|--|

REINFORCED WOOD FLOOR FRAME (OPTIONAL)

IMPORTANT!

Depending on your specific use, you may want to construct a heavy duty floor frame by adding additional floor joists. Below is a list in addition to the framing materials above (not included):

- x3** 2 x 4 x 96" (5 x 10 x 244 cm) Treated Lumber
Cut to (3) 2 x 4 x 93" (5 x 10 x 236,2 cm)
- x12** ea. 3" (7,6 cm) Hot Dipped Galvanized Nails



→ | ← Optional 12" (30,5 cm) spacing.



TO VALIDATE YOUR WARRANTY YOU MUST USE THE FOLLOWING:



DRIP EDGE 40 Feet

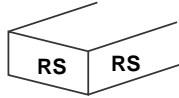
#15 ROOFING FELT
To cover 114 Sq. Ft. of roof area.

CAULK 1 Tube
For windows use acrylic latex exterior caulk that is paintable.

REFER TO THE BACK OF THIS MANUAL AND THE MANUFACTURER'S INSTRUCTIONS FOR INSTALLATION OF SHINGLES, DRIP EDGE AND FELT.

PARTS IDENTIFICATION AND SIZES

Part identification letters are stamped on some parts.



Check these locations for part stamp.

WOOD SIZE CONVERSION CHART		
Nominal Board Size		Actual Size
2 x 4.....	1-1/2" x 3-1/2"	(3,8 x 8,9 cm)
1 x 4.....	3/4" x 3-1/2"	(1,9 x 8,9 cm)
2 x 3.....	1-1/2" x 2-1/2"	(3,8 x 6,3 cm)
1 x 3.....	3/4" x 2-1/2"	(3,8 x 6,3 cm)



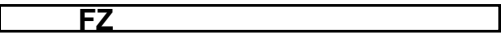






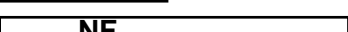
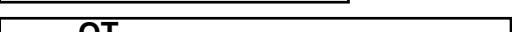
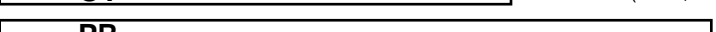
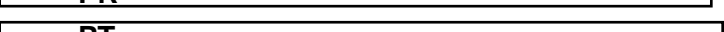

PARTS LIST




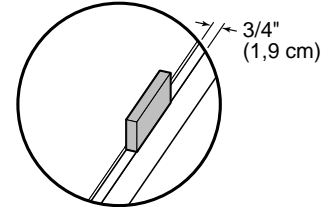
INVENTORY YOUR PARTS before you begin.

We suggest sorting parts by the category they are listed in.

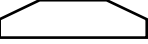

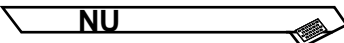
WALLS

- x1  2 x 3 x 14-1/2" (5 x 7,6 x 36,8 cm)
- x1  2 x 3 x 62-1/2" (5 x 7,6 x 158,8 cm)
- x5  2 x 3 x 66-1/2" (5 x 7,6 x 169 cm)
- x2  2 x 3 x 7-7/8" (5 x 7,6 x 20 cm)
- x1  2 x 3 x 24-1/16" (5 x 7,6 x 61 cm)
- x1  2 x 3 x 29-1/2" (5 x 10 x 75 cm)
- x3  2 x 3 x 32-1/2" (5 x 10 x 83 cm)
- x2  2 x 3 x 21-1/2" (5 x 7,6 x 55)
- x2  2 x 3 x 22-1/2" (5 x 7,6 x 57 cm)
- x3  2 x 3 x 46-1/2" (5 x 7,6 x 118 cm)
- x5  2 x 3 x 68" (5 x 7,6 x 173 cm)
- x3  2 x 3 x 94-1/2" (5 x 7,6 x 240 cm)
- x6  2 x 3 x 96" (5 x 7,6 x 244 cm)
- x7  2 x 3 x 13" (5 x 7,6 x 33 cm)




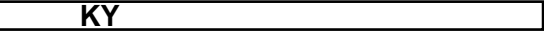






x1  1 x 3 x 5" (2,5 x 7,6 x 12,7 cm)
Gauge Block for 3/4" (19 mm) measurement



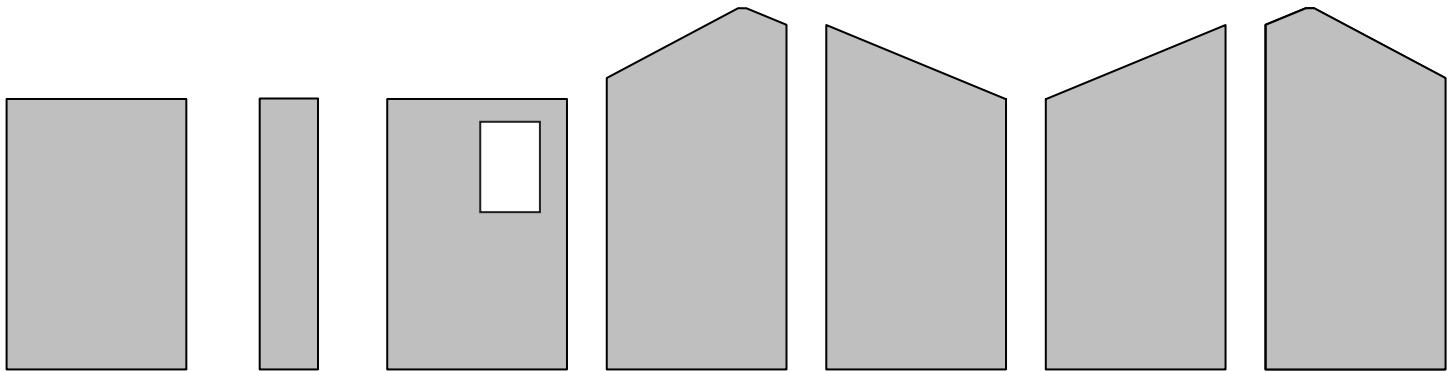
RAFTERS

- x10  8 x 24" (20 x 61 cm) Gusset
- x5  2 x 4 x 65-5/8" (5 x 10 x 167 cm) Rafter
- x5  2 x 4 x 46-13/16" (5 x 10 x 119 cm) Rafter

TRIM

- x6  5/8 x 3 x 24-3/4" (1,6 x 7,6 x 62,9 cm)
- x4  5/8 x 3 x 8" (1,6 x 7,6 x 20 cm)
- x2  5/8 x 3 x 21-3/4" (1,6 x 7,6 x 55 cm)
- x2  3/4 x 2-1/2 x 72-3/8" (1,9 x 6,3 x 184 cm)
- x8  5/8 x 4 x 14" (1,6 x 10 x 35,5 cm)
- x2  2 x 3 x 76-1/4" (5 x 7,6 x 194 cm)
- x2  2 x 3 x 70-1/2" (5 x 7,6 x 179 cm)
- x2  2 x 3 x 46-7/8" (5 x 7 x 119 cm)
- x2  2 x 3 x 65" (5 x 7,6 x 165 cm)
- x2  3/8 x 5-3/8 x 5-1/2" (1 x 13,6 x 14 cm) 1 Left / 1 Right

WALL PANELS / DOOR PARTS LIST



x3

3/8 x 48 x 72"
(1 x 122 x 183 cm)

x2

3/8 x 15-7/8 x 72"
(1 x 40 x 183 cm)

x1

x1

x1

x1

x1



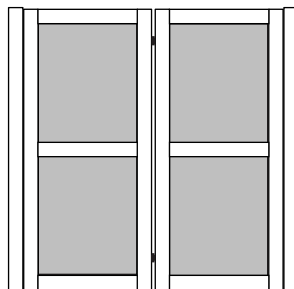
x1

3/8 x 7-7/8 x 94-1/2"
(0,9 x 20 x 240 cm)



x1

3/8 x 7-7/8 x 46-1/2"
(0,9 x 20 x 118 cm)

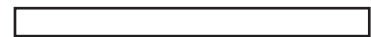


x1

Left Door

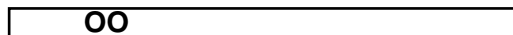
x1

Right Door



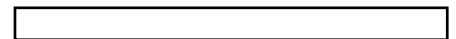
x2

1-1/2 x 2-1/2 x 69" (3,8 x 6,3 x 175,3 cm)



x1

69" Door Stiffener (175,3 cm)



x1

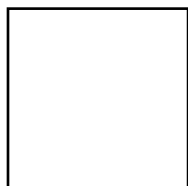
5/8 x 3-7/8 x 96" (1,6 x 9,8 x 244 cm)

ROOF PANELS



x2

7/16 x 48 x 96"
(1,1 x 122 x 244 cm)



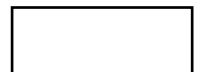
x2

7/16 x 47-7/8 x 48"
(1,1 x 122 x 122 cm)



x1

7/16 x 18 x 96"
(1,1 x 46 x 244 cm)



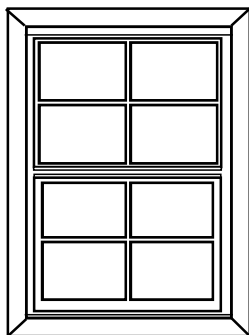
x1

7/16 x 18 x 48"
(1,1 x 46 x 122 cm)

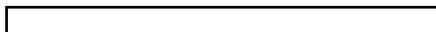
Roof Panels are
7/16" (11 mm) thick

NOTES

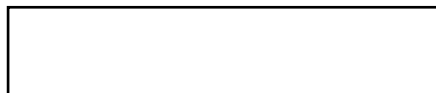
SHELF & WINDOW PARTS LIST



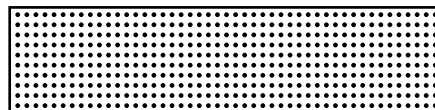
x1
Window



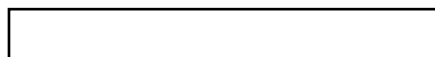
x1
1 x 3 x 96"
(2,5 x 7,6 x 244 cm)



x1
7/16 x 20 x 96"
(1,1 x 51 x 244 cm)



x1
23-7/8 x 96"
(61 x 244 cm) Peg Board



x2
7/16 x 11-3/4 x 96"
(1,1 x 30 x 244 cm)

NAIL BOXES (Shown actual size)

x2 Boxes 3" (7,6 cm)

x4 Boxes 2" (5,0 cm)

FASTENERS / HARDWARE BAG (Shown actual size)

x112 1-1/2" (3,8 cm)

x36 2" (5,0 cm)

x74 3" (7,6 cm)

x30 2" (5,0 cm)

x112 1-1/4" (3,2 cm)

x25 1" (2,5 cm)

x75 3/4" (19 mm)

NOTE:

If you are using a nail gun, nails may be used where screws are shown for quicker assembly.

Length of nail must match screw length.

DOOR HARDWARE (Not actual size)

x2

x1

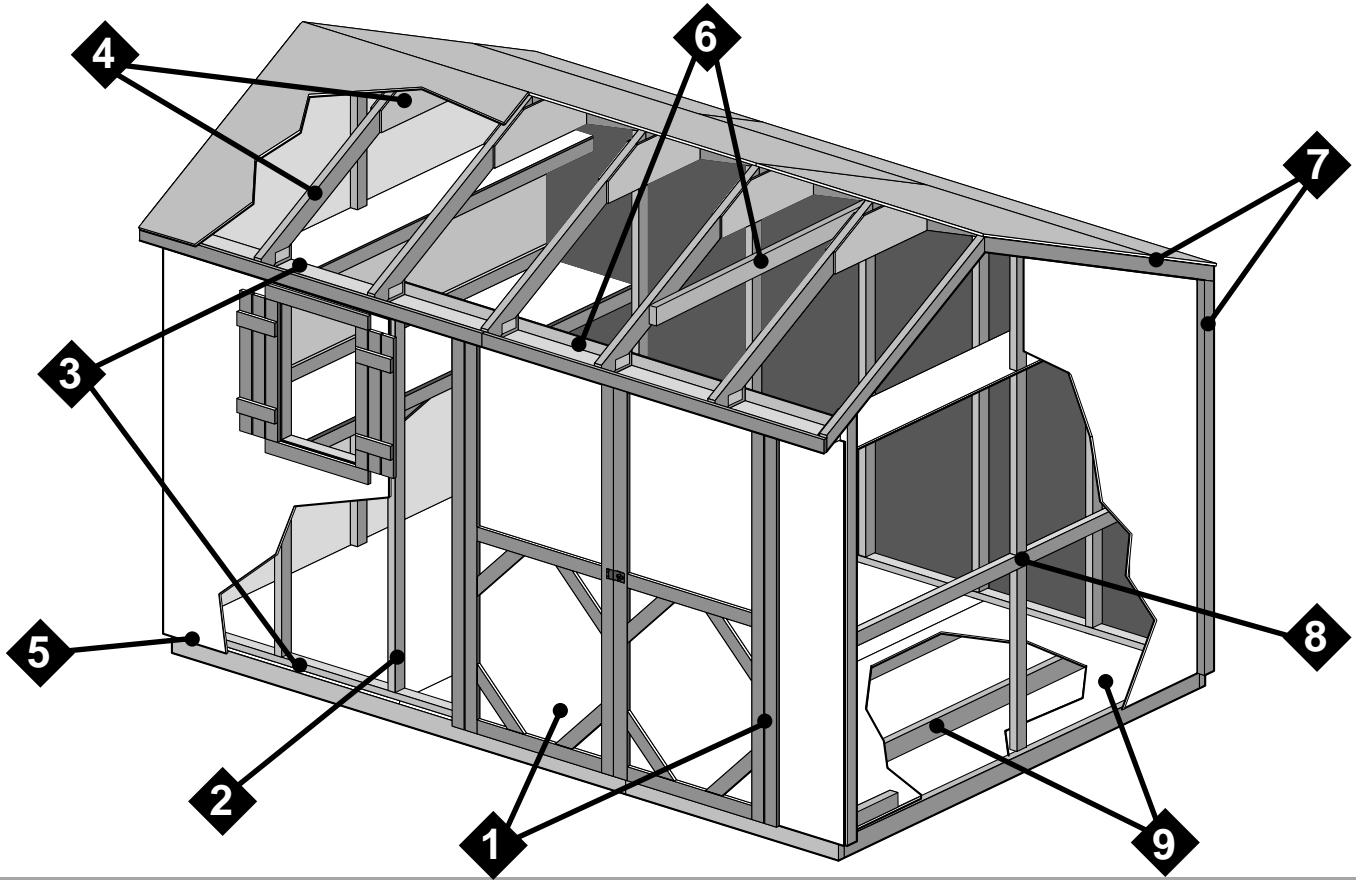
x1
64" Metal Threshold

x8 3/4" (19 mm)

x7 3/4" (19 mm)

x11 3/4" (19 mm)
Bagged separately / special coating

BUILDING ANATOMY



This building has been designed using our patented EZ Frame construction method. EZ Frame is a unique construction method which has been engineered to use fewer framing members. This reduces assembly time and cost by as much as 30% compared to conventional construction methods. EZ Frame patent no. 5,666,766

All of our buildings have been engineered to withstand demanding wind and snow loads. If you live in an area with extreme wind/snow load requirement, contact us and we can assist with engineering to meet your local codes.

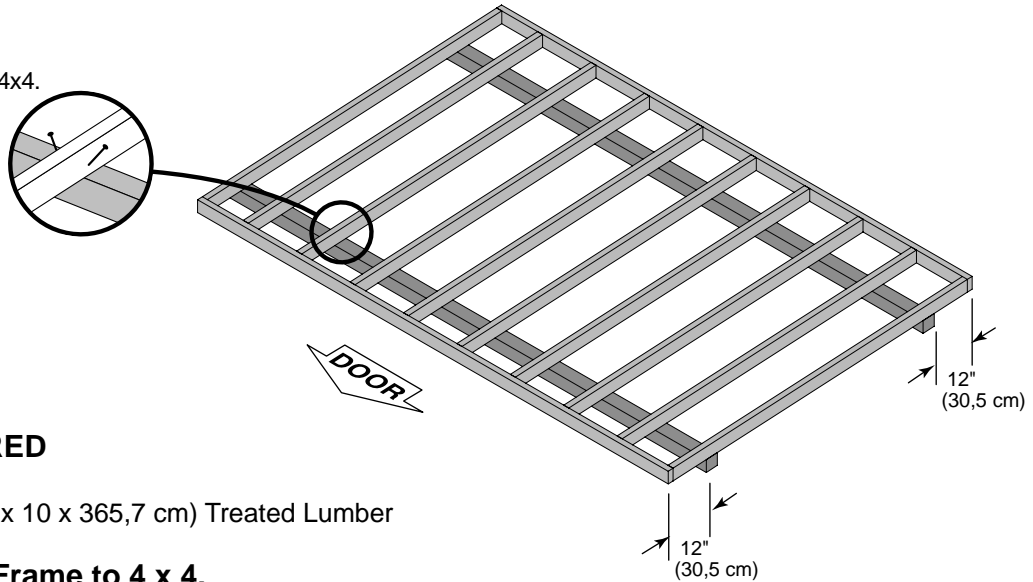
- 1 Sub-assembled doors with attached hinges.
- 2 2x3 wall studs have been engineered to support roof load and to meet demanding wind loads.
- 3 Sidewall top and bottom plates tie wall studs together and provide nailing support for top and bottom edge of siding.
- 4 Rafters line up over wall studs to effectively transfer roof load to the floor and eliminate need for double top plate. Oversized wood gussets at peak provide a strong connection for rafter halves.
- 5 Treated siding overhangs the wall framing and floor to keep the elements out.
- 6 Collar tie and over-door header maintains door frame integrity.
- 7 Corner studs & end rafters are positioned to the outside of the siding where they serve the dual purpose of framing and trim.
- 8 The EZ Frame design transfers the roof load to the front and back walls allowing for reduced framing at the side walls.
- 9 Treated floor frame and Oriented Strand Board (OSB) floor (not included).

FLOOR LEVELING OPTIONS

There are multiple ways to level your floor frame. Our recommended leveling method is shown below.
Leveling materials are not included in this kit.

PREFERRED METHOD - 4x4 TREATED RUNNERS (NOT INCLUDED)

- 3" Screws angled into 4x4.
- (2) at each point frame and 4x4 touch.



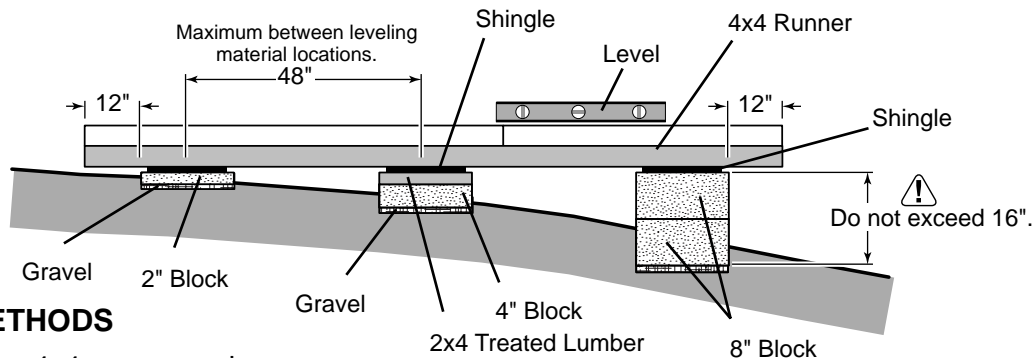
MATERIAL REQUIRED

x2 4 x 4 x 12' (10 x 10 x 365,7 cm) Treated Lumber

Fasteners for Frame to 4 x 4.
(3" Screws shown as one option.) Minimum (28) 3" screws / exterior grade.

 **Use only wood treated for ground contact and fasteners approved for use with treated wood.**

 **Always support frame seams.**



LEVELING METHODS

- Level under 4x4 runners only.
- Locate leveling material 12" from ends of runners and no more than 48" apart.
- Asphalt shingles should be used between 4x4 runners and blocks or treated lumber. Never use shingles in direct contact with ground.
- For best results and aiding in water drainage use gravel under each concrete block.

LEVELING MATERIALS

- Gravel
- Solid Masonry Blocks in 1", 2", 4" or 8" thickness
- 2x4 Treated Lumber
- Asphalt Shingles

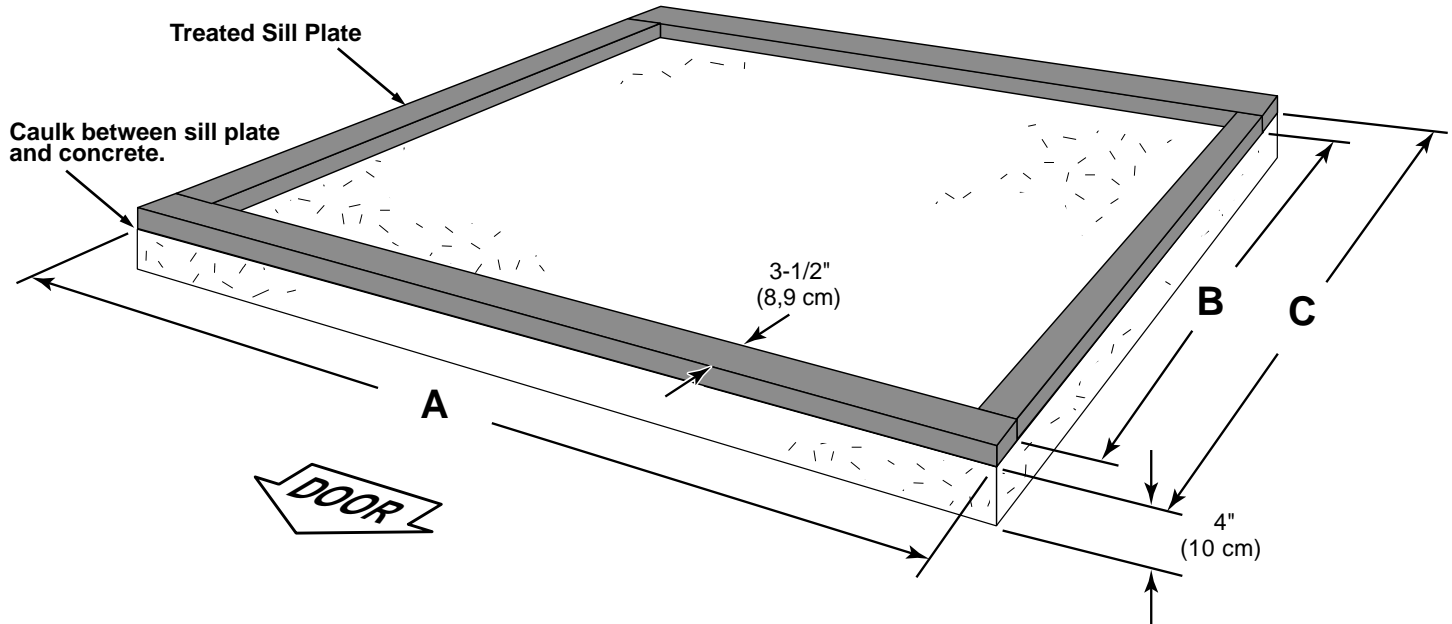
 **Leveling higher than 16" not recommended.**

CONCRETE

- If you are building your shed on a concrete foundation see the following page.

CONCRETE FOUNDATION

If you choose to install your kit on a concrete slab refer to the diagram below.



Building Size	Actual Size	A	B	C
12'x 8' (366 x 244 cm)	141" x 96" (358 x 244 cm)	141" (358 cm)	89" (226 cm)	96" (244 cm)

Requires:

- x2** 2 x 4 x 12' (5 x 10 x 366 cm) **MUST be treated lumber.**
- x2** 2 x 4 x 8' (5 x 10 x 244 cm) **MUST be treated lumber.**
- x2** Caulk

Allow new concrete slabs to cure for at least seven (7) days.

- A treated 2 x 4" (5 x 10 cm) sill plate is required when installing your shed on concrete. **Hint: Purchase full length treated lumber.**
- Use a high quality exterior grade caulk beneath all sill plates.
- Fasten 2 x 4" (5 x 10 cm) sill plates to slab using approved concrete anchors (**fasteners not included**).
- Check local code for concrete foundation requirements.

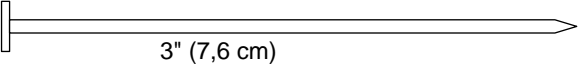
NOTES

FLOOR FRAME (NOT INCLUDED)

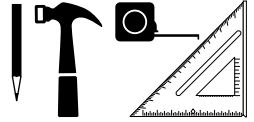
PARTS REQUIRED:

x10 TREATED
2 x 4 x 93" (5 x 10 x 236 cm)

x2 TREATED
2 x 4 x 141" (5 x 10 x 358 cm)

x40  3" (7,6 cm)

 Use Treated lumber



 **BEGIN**
1

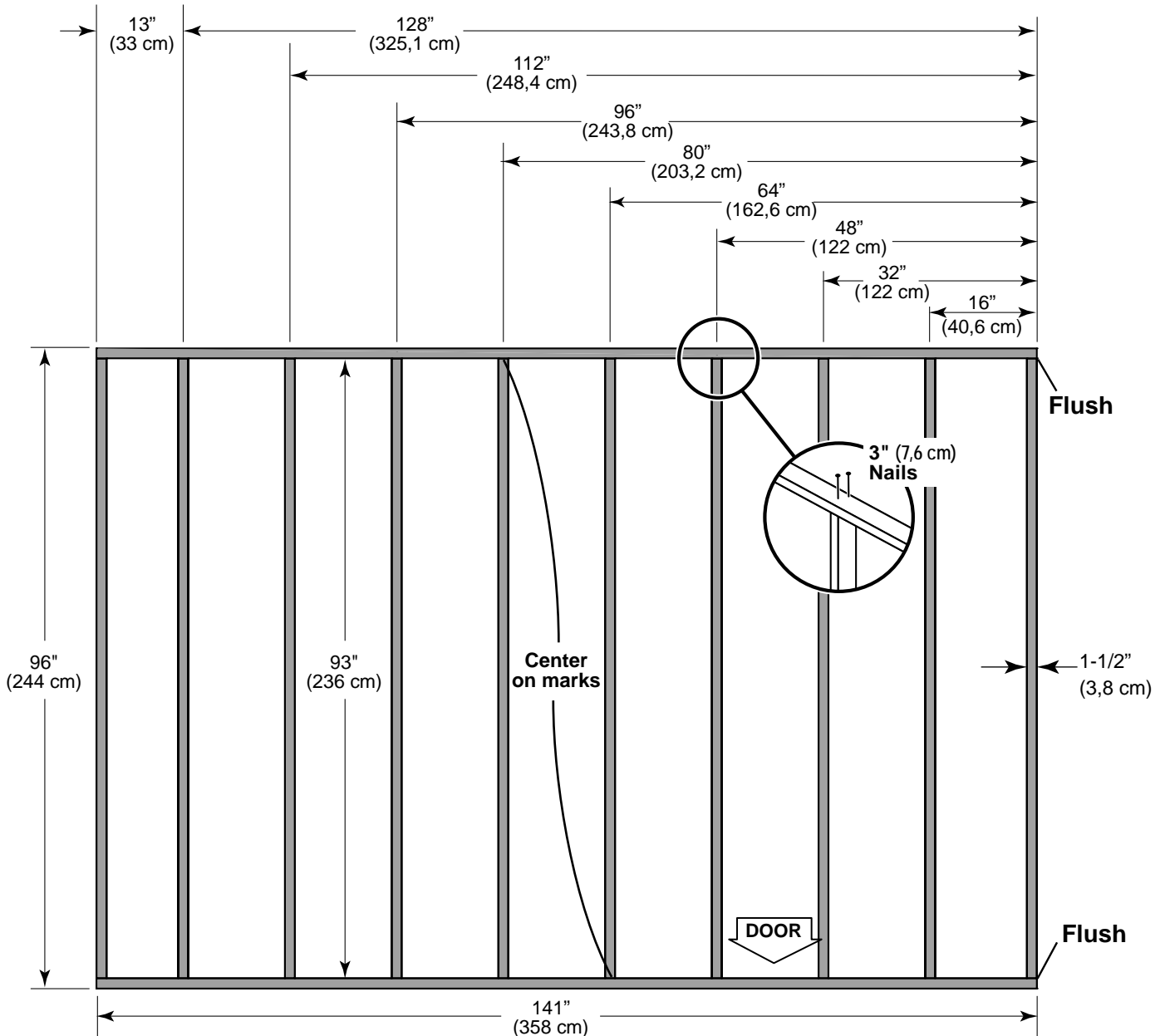
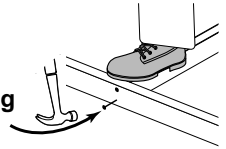
Arrange parts on a flat surface. Measure and mark.

Secure with (2) 3" nails at each mark.

 **FINISH**

You have finished your floor frame.

HINT:
For easier nailing
stand on frame.



STOP!




LEVEL AND SQUARE FLOOR FRAME



STOP!

Before attaching floor decking, it is important to level and square the floor frame. A level and square floor frame is required to correctly construct your shed.

 **BEGIN**

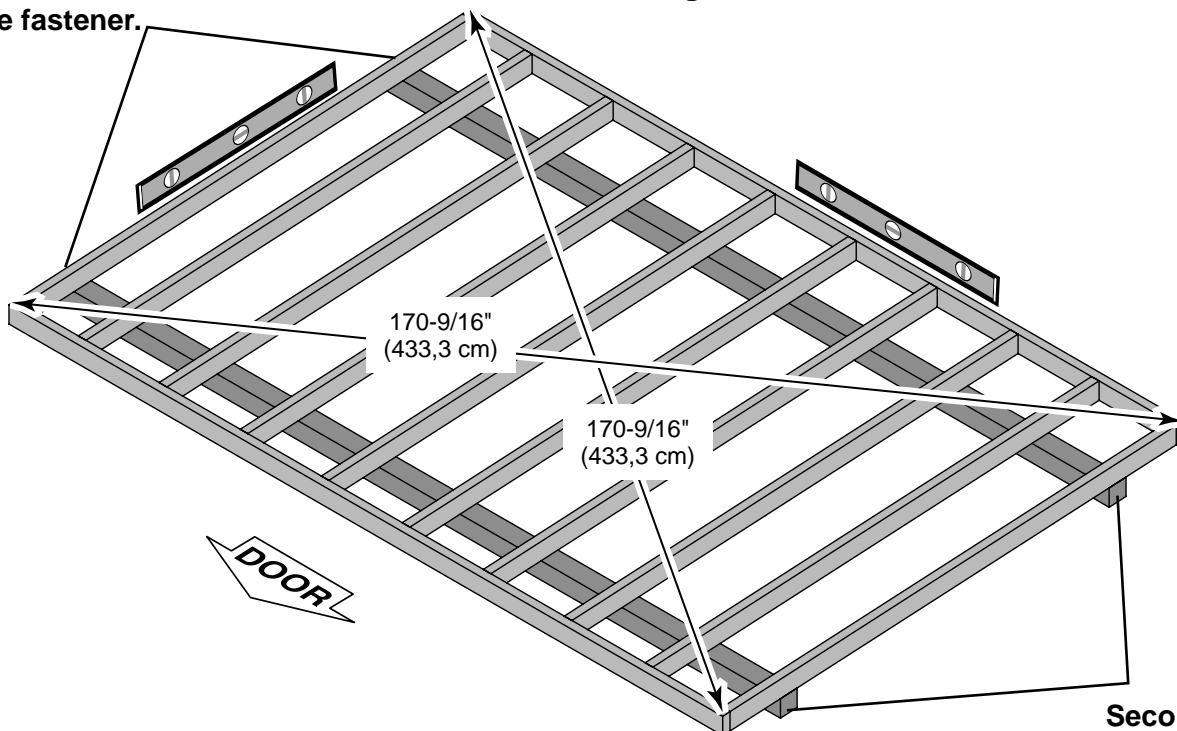
-  See page 8 for the preferred floor leveling method.
- Use level and check the frame is level before applying floor panels.
- Check for frame squareness by measuring diagonally across corners. If the measurements are the same, the frame is square. The diagonal measurement will be approximately 170-9/16" (433,3 cm).
- When the frame is level and square secure one side of frame to the 4x4 runners using one fastener at ends of each runner. Move to the opposite end of the frame. Secure the frame to 4x4 runners with one fastener at ends of each runner making sure the frame remains square (**Fig. A**).

 **FINISH**

Once the floor frame is level and square fasten the frame to the x4 runners at each point where the frame contacts the 4x4 runners.

First, secure at ends with one fastener.

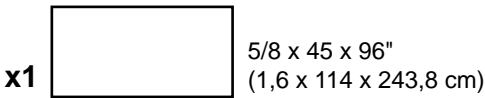
Fig. A



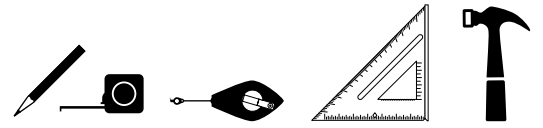
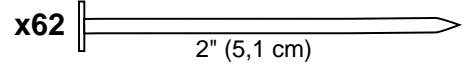
Second, secure at ends with one fastener.


FLOOR PANELS (NOT INCLUDED)

PARTS REQUIRED:



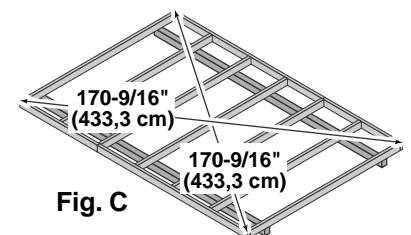
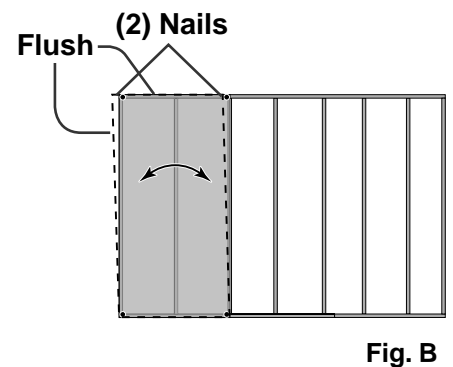
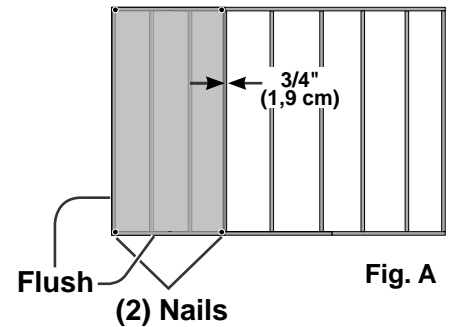
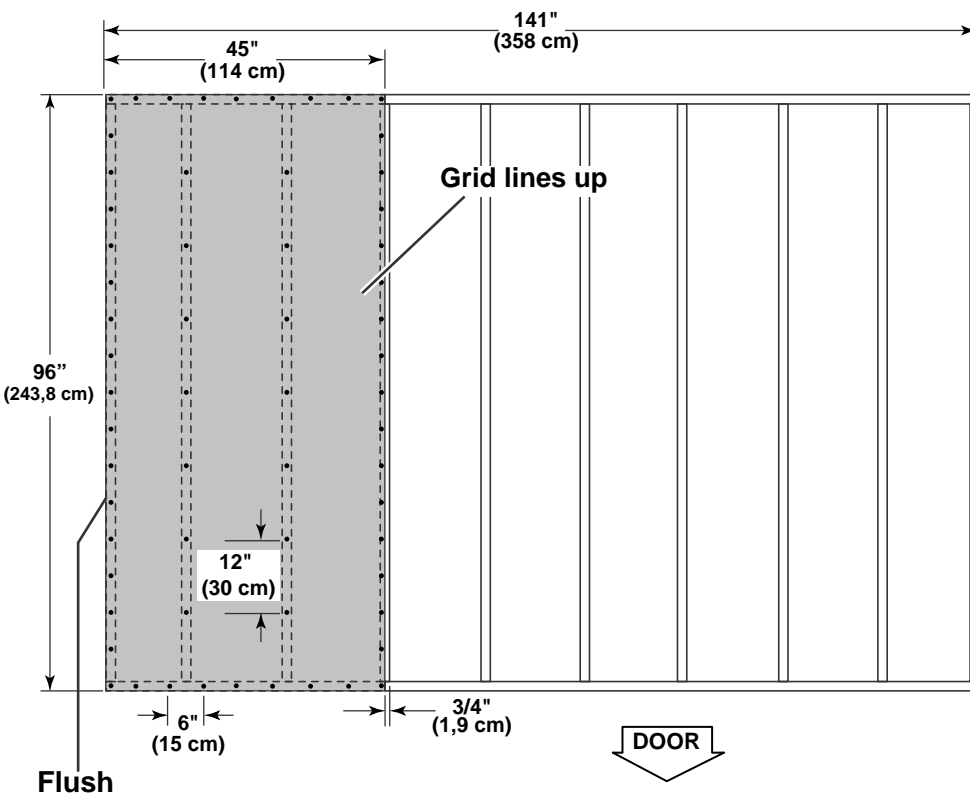
 Floor panels not included. See page 3 for panel sizes and quantities.



 Ensure your floor frame is square by installing (1) panel and squaring frame.

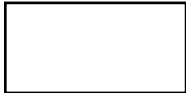
✓ BEGIN

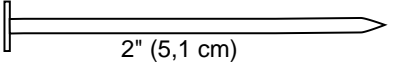
- 1 Attach the 5/8 x 45 x 96" panel with the rough side up (painted-grid lines side) with the 45" edge and corner flush to the floor frame (**Fig A**). Secure panel with (2) 2" nails in the corners.
- 2 Move to the opposite side. Using the long edge of the panel as a lever, move the panel side-to-side until the top corner is flush to the floor frame (**Fig. B**). Secure panel with (2) 2" nails in the corners.
- 3 Check the floor frame is square by measuring diagonally across the frame corners. If the measurements are the same your floor frame is square. The measurement will be approximately 170-9/16" (433,3 cm) (**Fig. C**).
- 4 Continue securing the panel with 2" nails 6" spaced apart on edges and 12" apart inside panel. Use a chalk line or use pre-painted grid lines to nail into joists under panel.

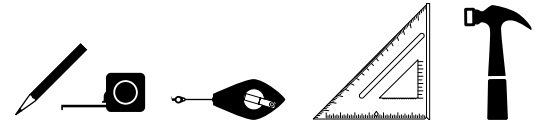


FLOOR PANELS (NOT INCLUDED)

PARTS REQUIRED:

x2  5/8 x 48 x 96"
(1,6 x 121,9 x 243,8 cm)

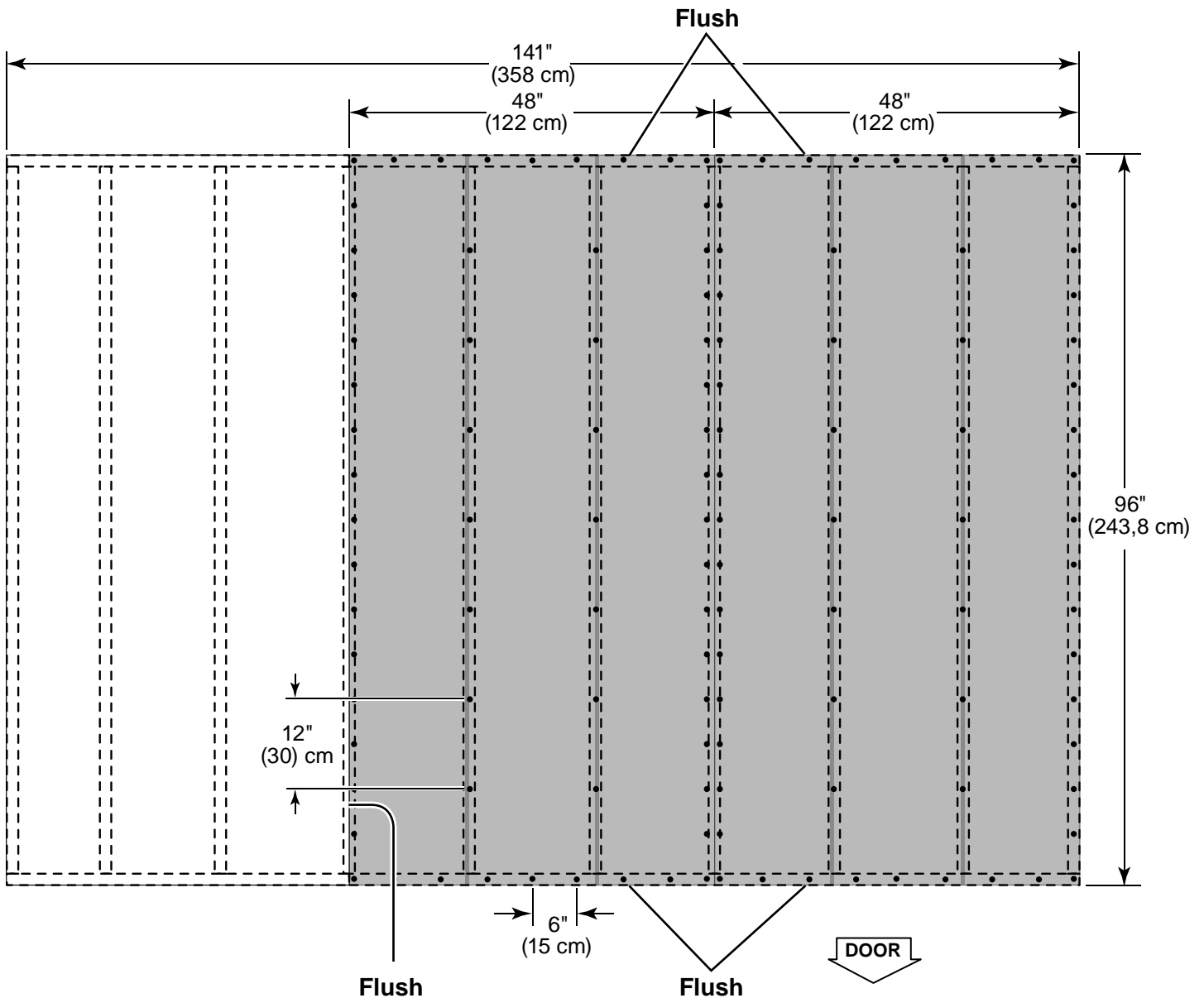
x124  2" (5,1 cm)



- 5** Continue installing panels with rough side up (painted grid lines).
Use grid lines on panel for 2" nails 6" spaced apart on edges and 12" apart inside panels.



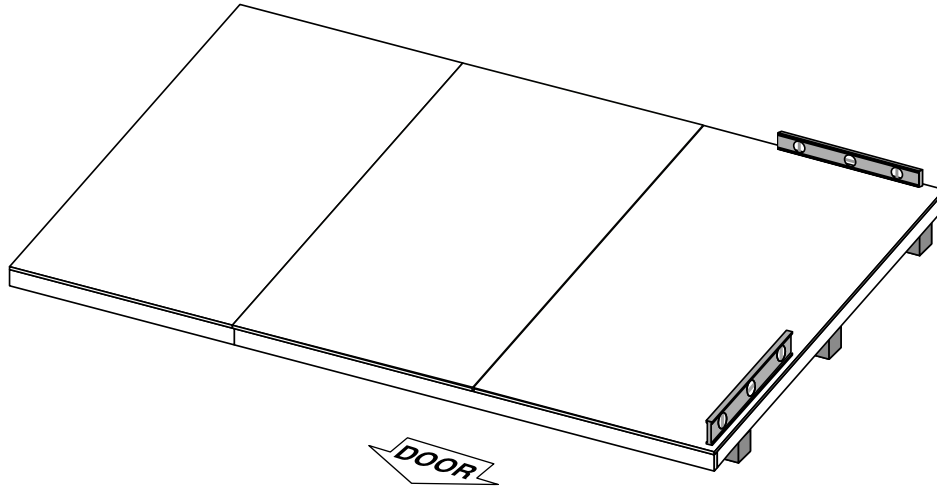
Your floor panels are now installed.



IMPORTANT!

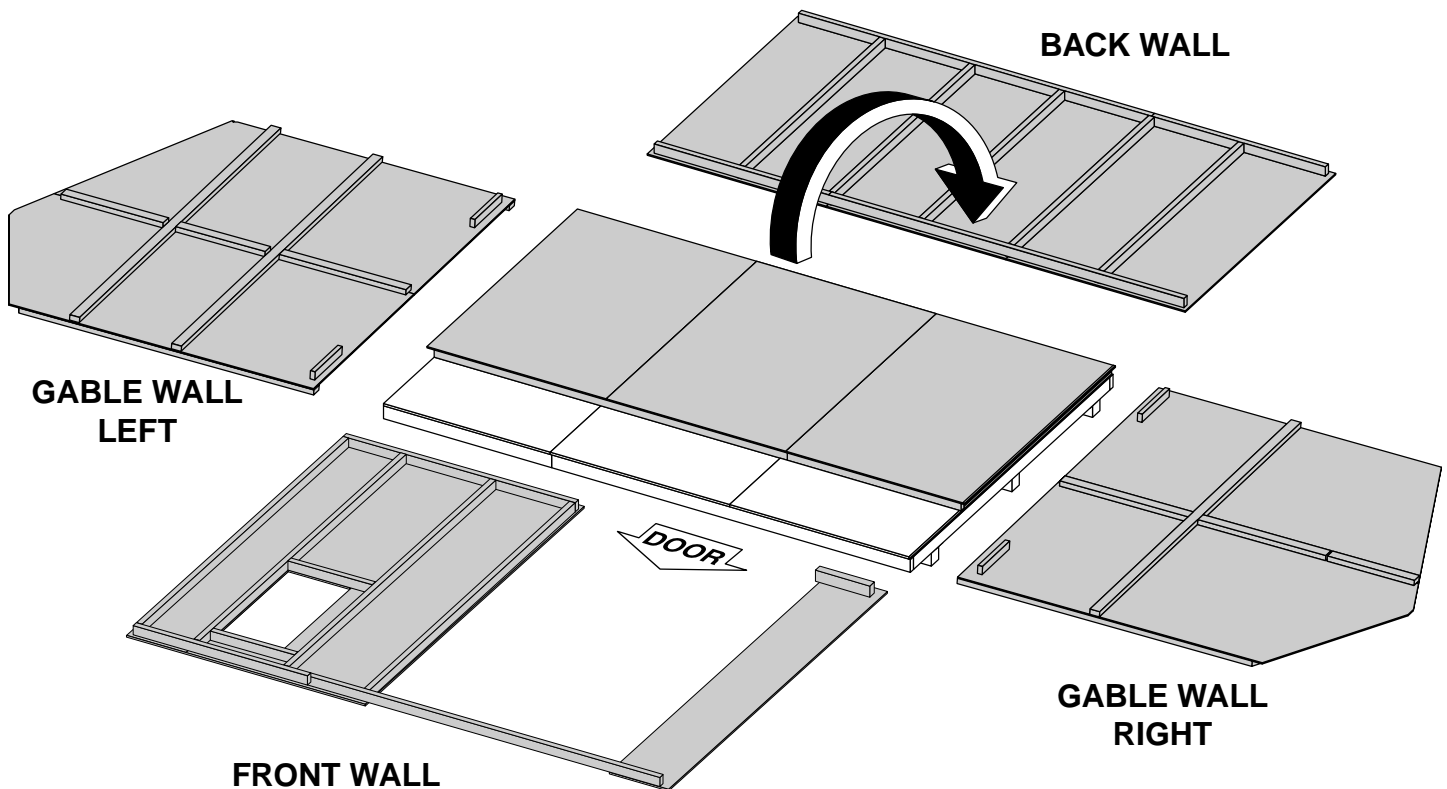
STOP!

Check the floor frame is level after installing floor panels.
Re-level if needed.



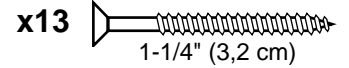
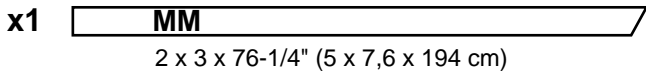
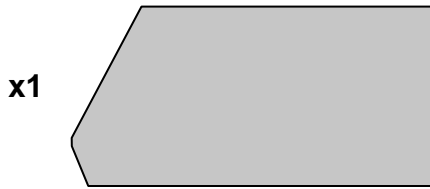
HINT:

- The floor should be used as a stable work surface for wall construction.
- Organize your assembly procedure during the build process to avoid over-handling of the walls.



LEFT WALL

PARTS REQUIRED:



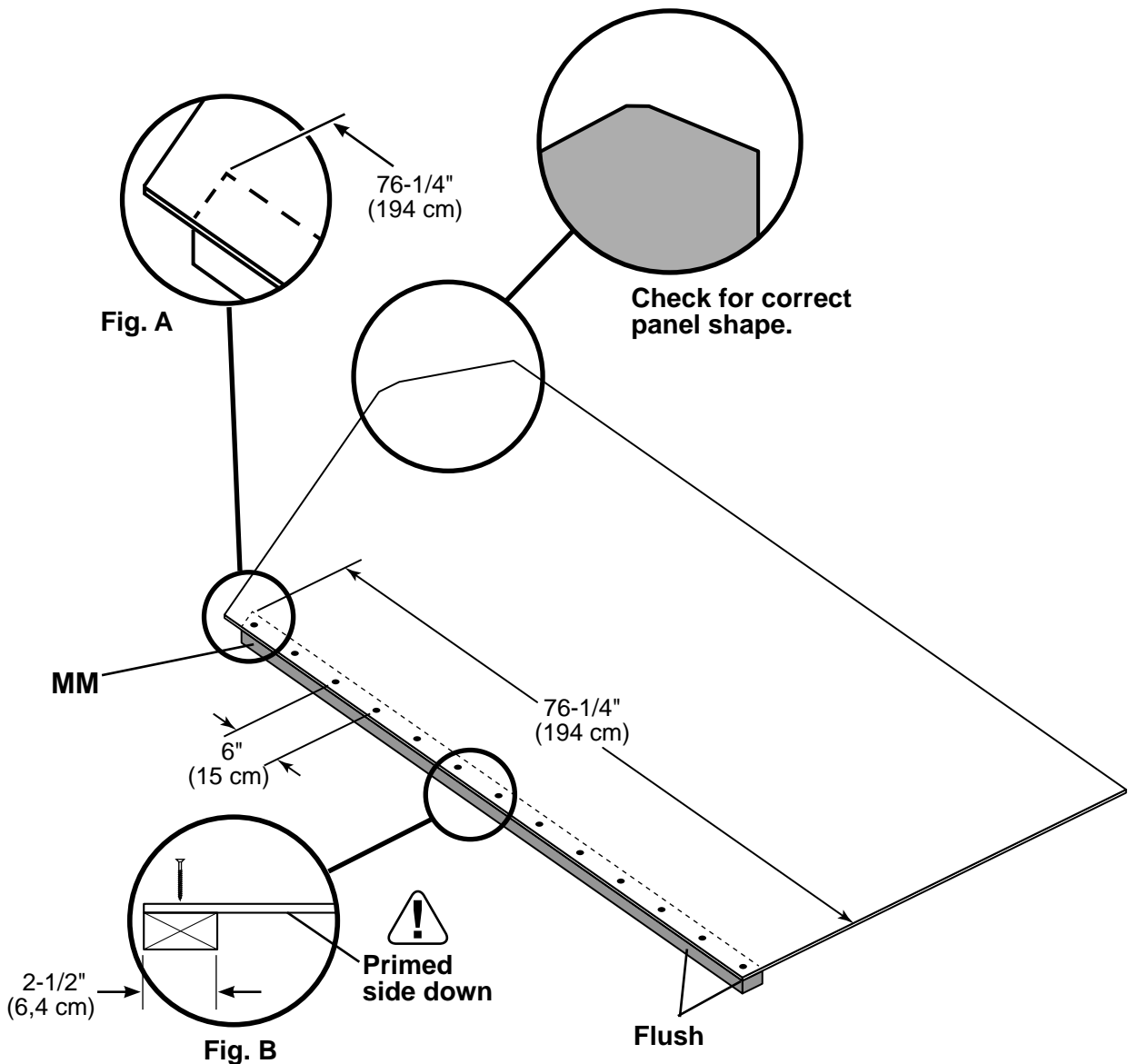
✓ **BEGIN**
1

Arrange parts on the flat side on floor, as shown (Fig. A,B).

 **Panel should be primed side down (Fig. B).**

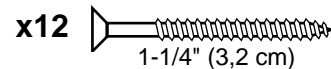
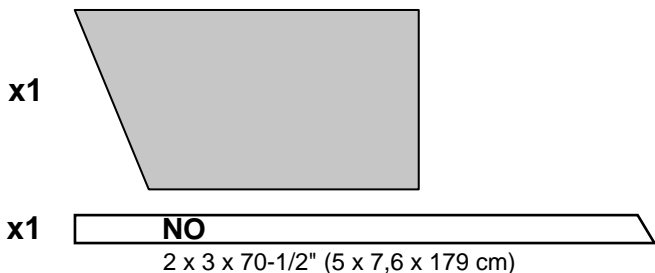
Edges of panel should be flush to **MM**.

Secure panel to **MM** with 1-1/4" screws spaced 6" apart.



LEFT WALL

PARTS REQUIRED:



3 Arrange parts on the flat side on floor, as shown (Fig. A, B).

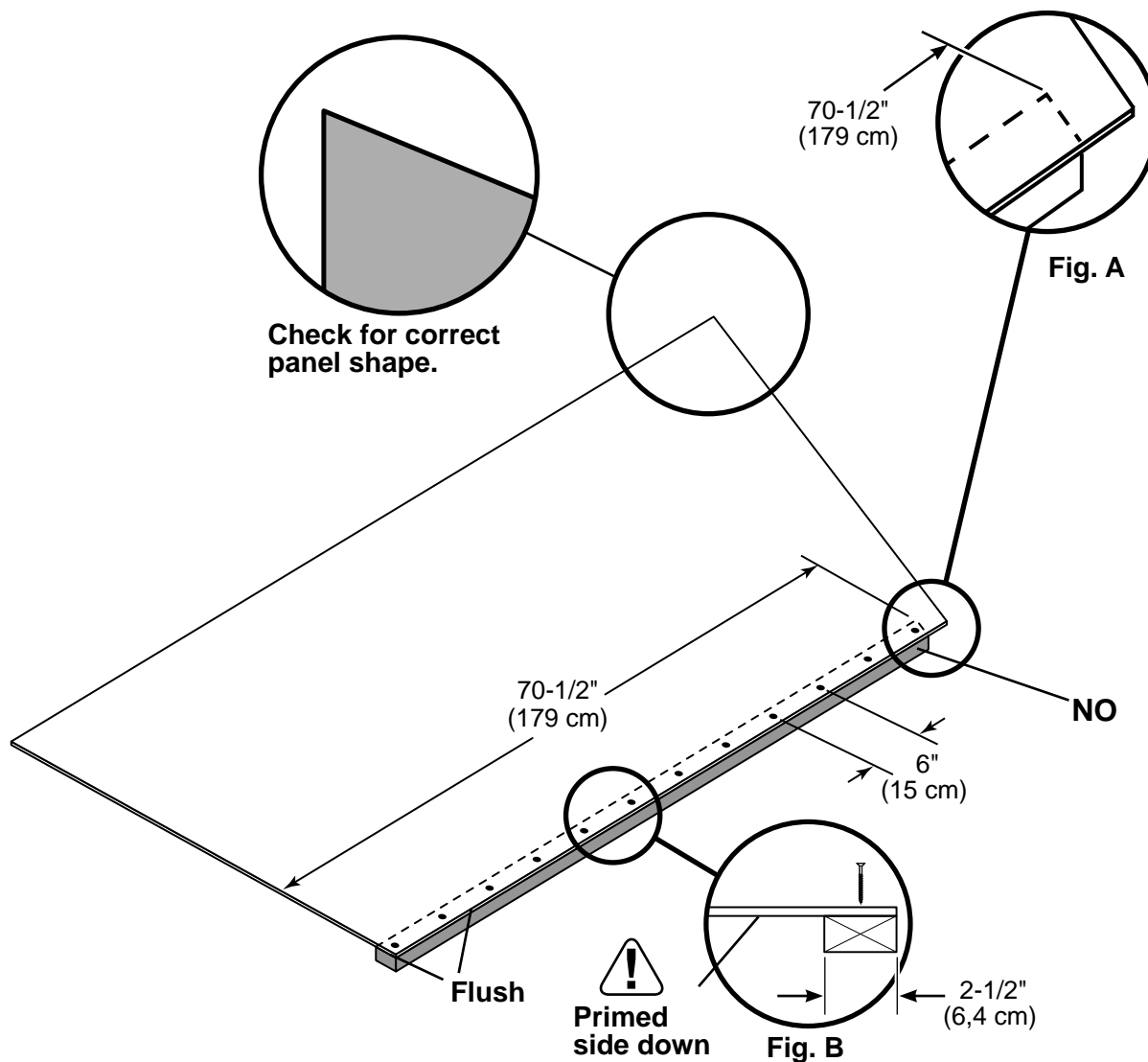
 **Panel should be primed side down (Fig. B).**

Edges of panel should be flush to **NO**.

Secure panel to **NO** with 1-1/4" screws spaced 6" apart.



You have finished building your (2) left wall assemblies.



LEFT WALL

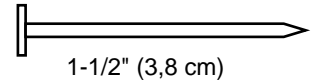
PARTS REQUIRED:

x1



LEFT WALL
REAR ASSEMBLY

x12



x1

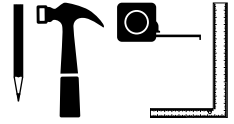
RK 2 x 3 x 13" (5 x 7,6 x 33 cm)

x1

KZ 2 x 3 x 32-1/2" (5 x 10 x 83 cm)

x2

PT 2 x 3 x 96" (5 x 7,6 x 244 cm)



✓ **BEGIN**

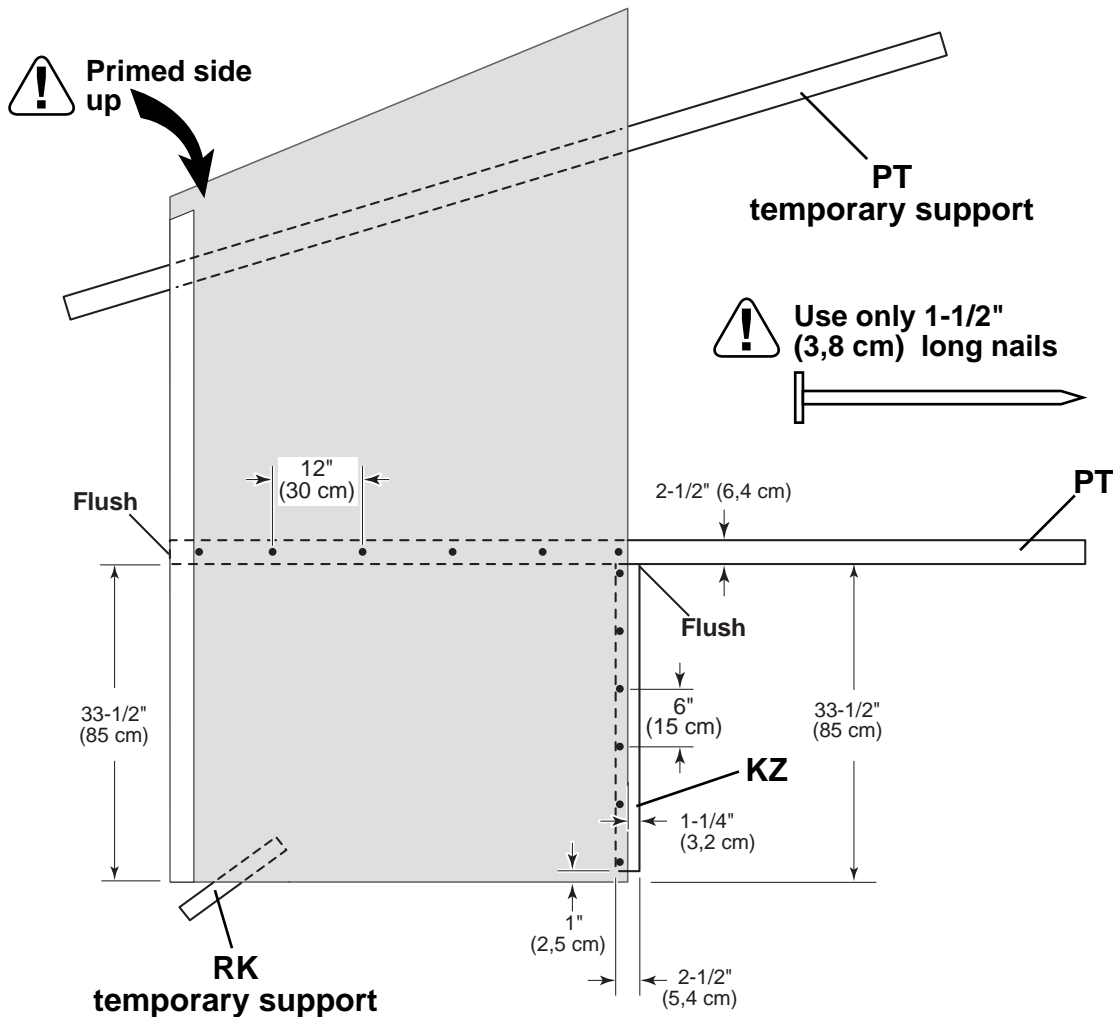
1 Arrange **KZ** and **PT** on flat on floor, as shown.

Place panel on **KZ** and **PT** with primed side up.

2 Install **KZ** first, measuring 1" (2,5 cm) from panel bottom.

! Secure **KZ** with 1-1/2" (*only*) nails 6" apart.

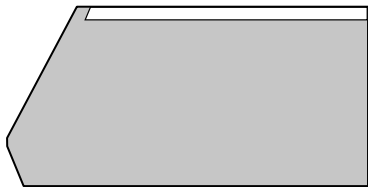
3 Place **PT** flush to **KZ** and edge of panel. Hold the 33-1/2" (85 cm) measurement. Secure with 1-1/2" nails spaced 12" apart.



LEFT WALL

PARTS REQUIRED:

x1



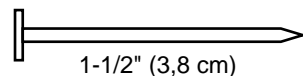
LEFT WALL
FRONT ASSEMBLY

x2



2 x 3 x 13" (5 x 7,6 x 33 cm)

x33



9

Place panel onto frame with the primed side up.

Secure with 1-1/2" nails spaced 6" apart on edges and 12" apart inside panel.

Secure RK with (3) 1-1/2" nails (Fig. A).



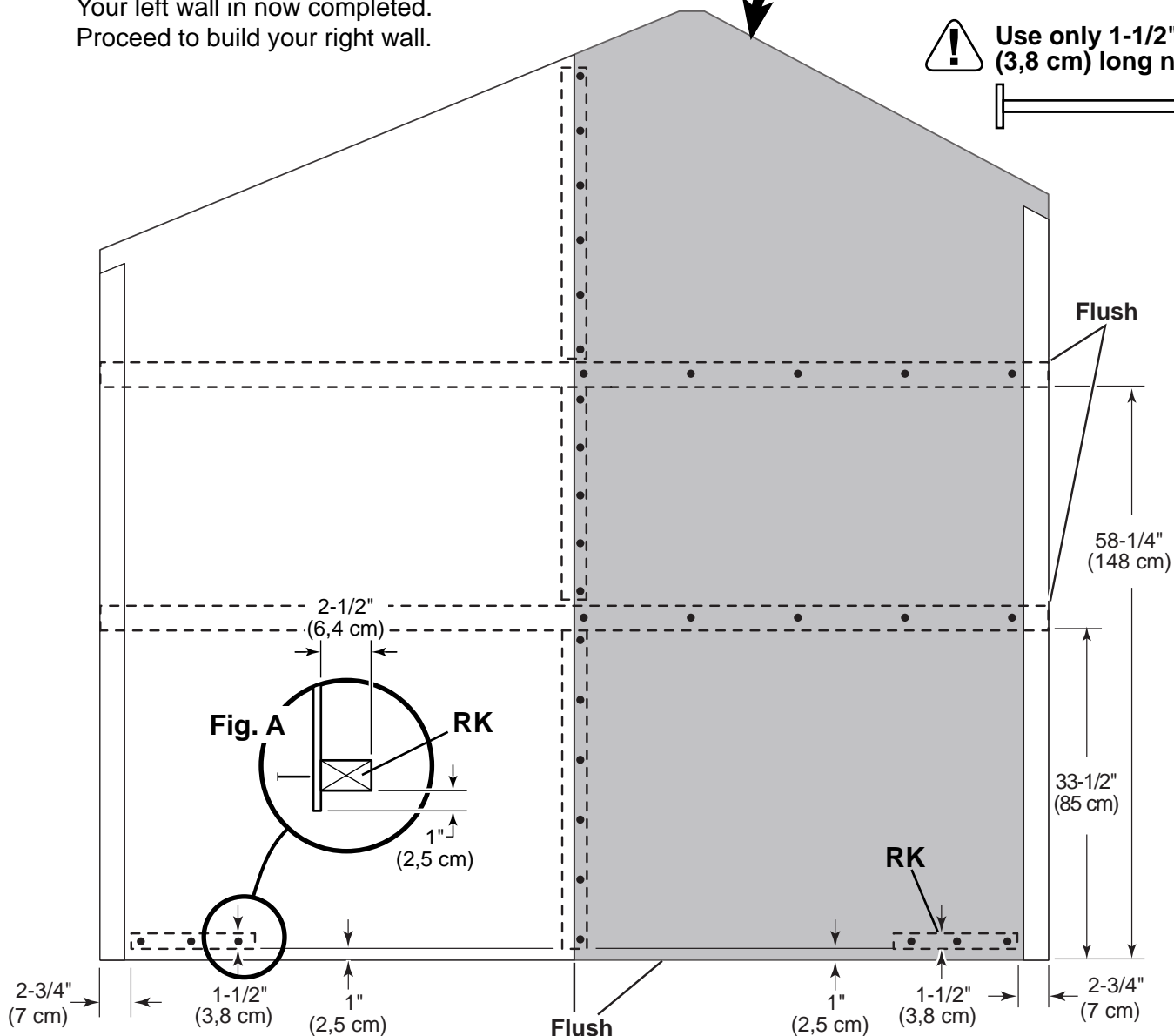
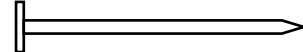
Your left wall is now completed.
Proceed to build your right wall.



Primed side up

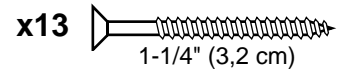
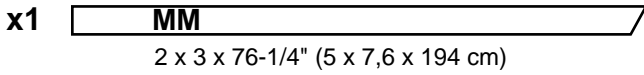
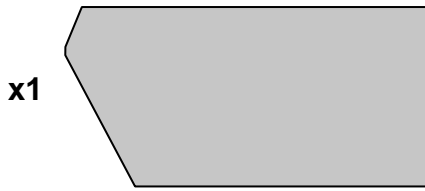


Use only 1-1/2" (3,8 cm) long nails



RIGHT WALL

PARTS REQUIRED:



✓ **BEGIN**
1

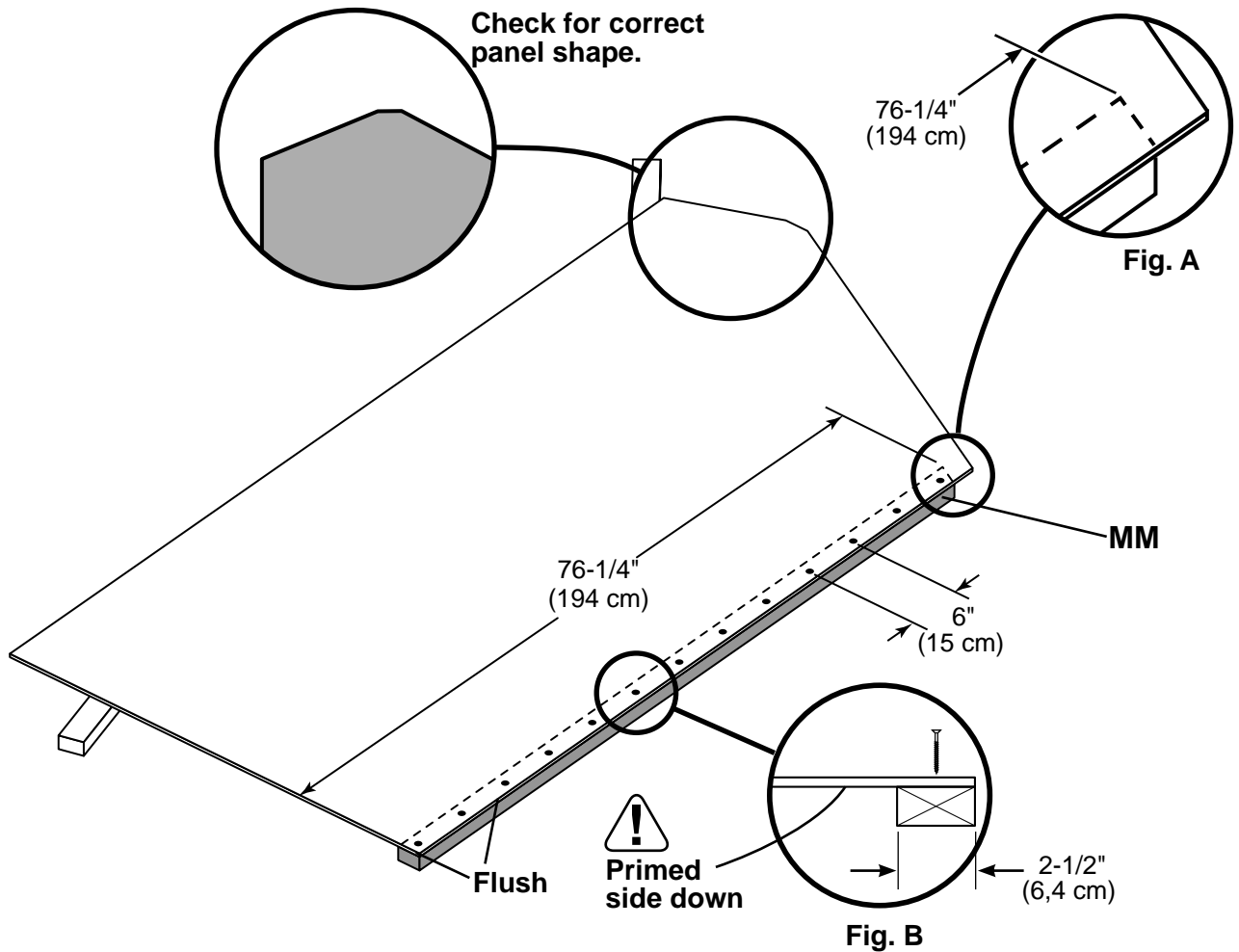
Arrange parts on the flat on floor ,as shown (Fig. A, Fig. B).



Panel should be primed side down (Fig. B).

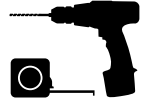
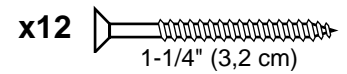
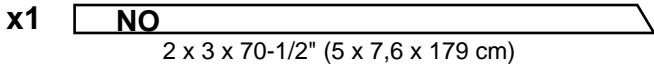
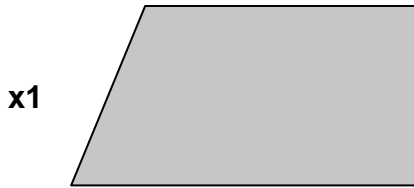
Edges of panel should be flush to **MM**.

Secure with 1-1/4" screws spaced 6" apart.



RIGHT WALL

PARTS REQUIRED:

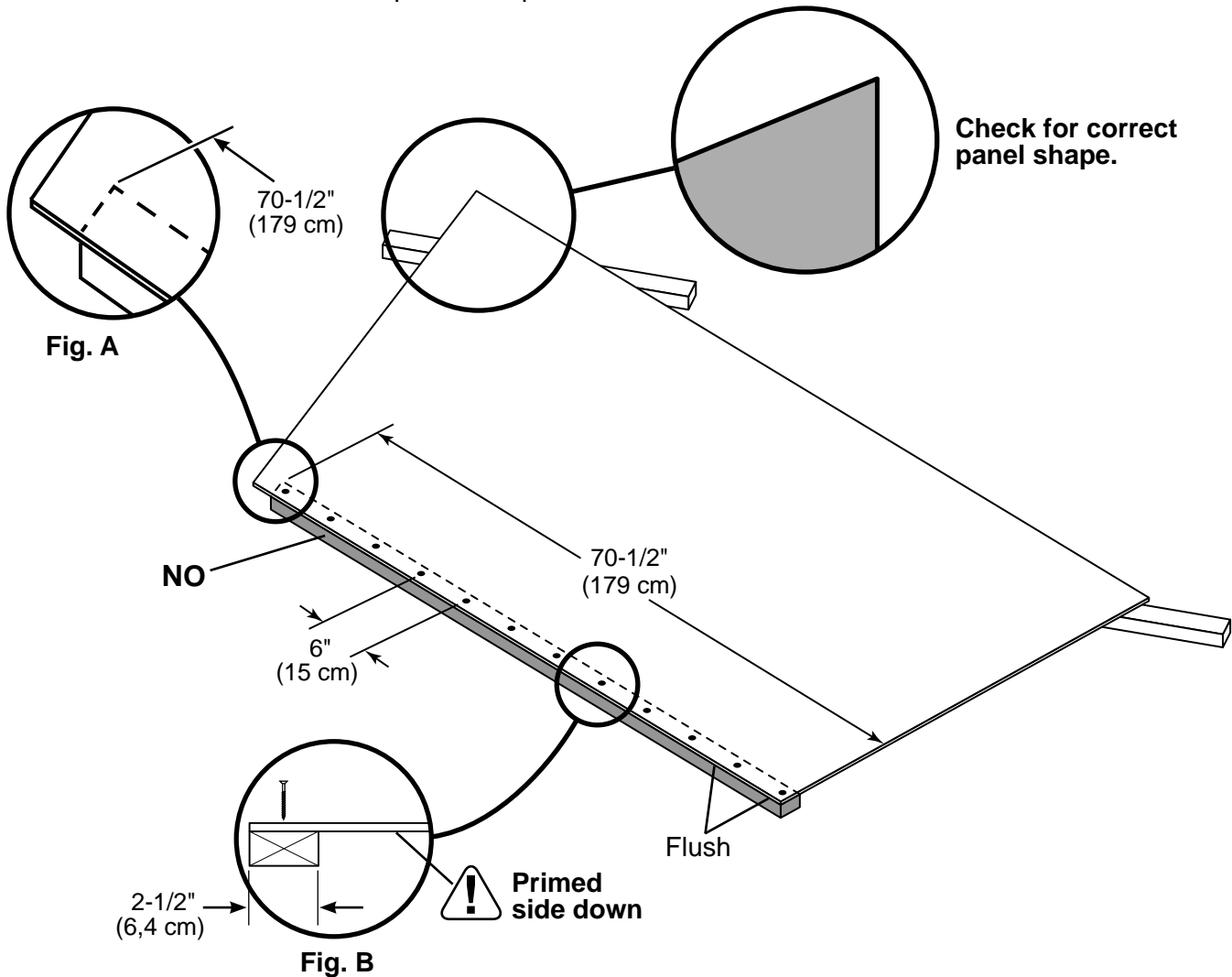


2 Arrange parts on the flat on floor, as shown (Fig. A,B).

Panel should be primed side down (Fig. B).

Edges of panel should be flush to **NO**.

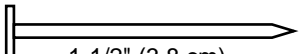
Secure with 1-1/4" screws spaced 6" apart.



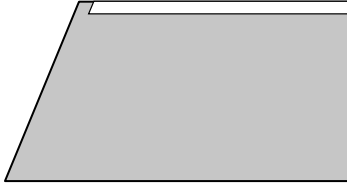
Your (2) right wall assemblies are completed.

RIGHT WALL

PARTS REQUIRED:

x12  1-1/2" (3,8 cm)

x1

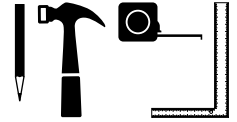


**RIGHT WALL
REAR ASSEMBLY**


x1 **RK** 2 x 3 x 13" (5 x 7,6 x 33 cm)

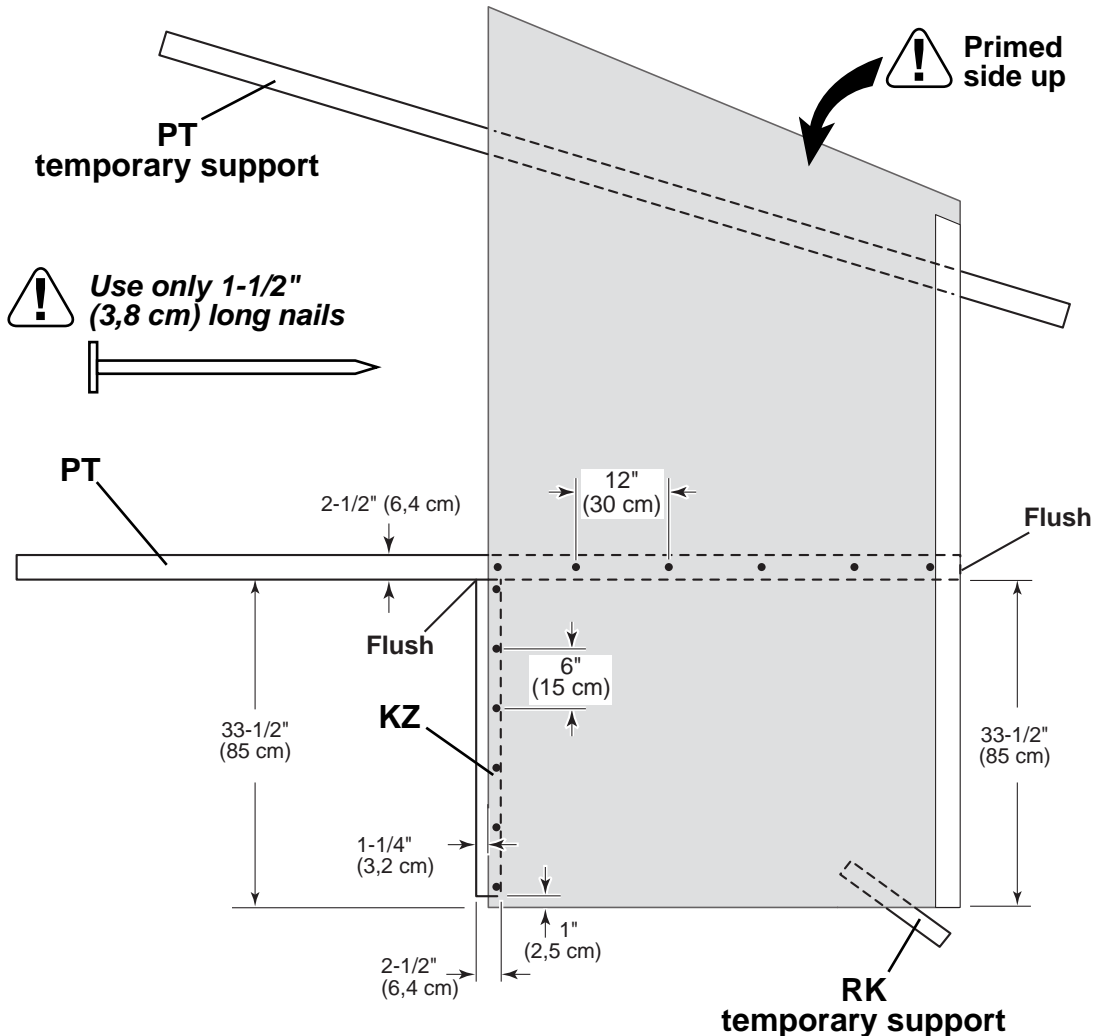
x1 **KZ** 2 x 3 x 32-1/2" (5 x 10 x 83 cm)

x2 **PT** 2 x 3 x 96" (5 x 7,6 x 244 cm)



✓ **BEGIN**

- 1 Arrange **KZ** and **PT** on the flat side on the floor.
Place panel on **KZ** and **PT** with primed side up.
- 2 Nail **KZ** first, measuring 1" (2,5 cm) from panel bottom.
 Secure with 1-1/2" nails spaced 6" apart.
- 3 Place **PT** flush to **KZ** and edge of panel. Hold the 33-1/2" (85 cm) measurement.
Secure with 1-1/2" nails spaced 12" apart.



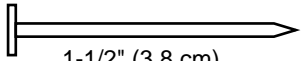
RIGHT WALL

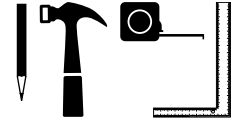
PARTS REQUIRED:

x1 **KZ**
2 x 3 x 32-1/2" (5 x 10 x 83 cm)

x1 **LF**
2 x 3 x 21-1/2" (5 x 7,6 x 55)

x1 **TEMPORARY SPACER**
5/8 x 3 x 14" (1,6 x 7,6 x 35,5 cm)

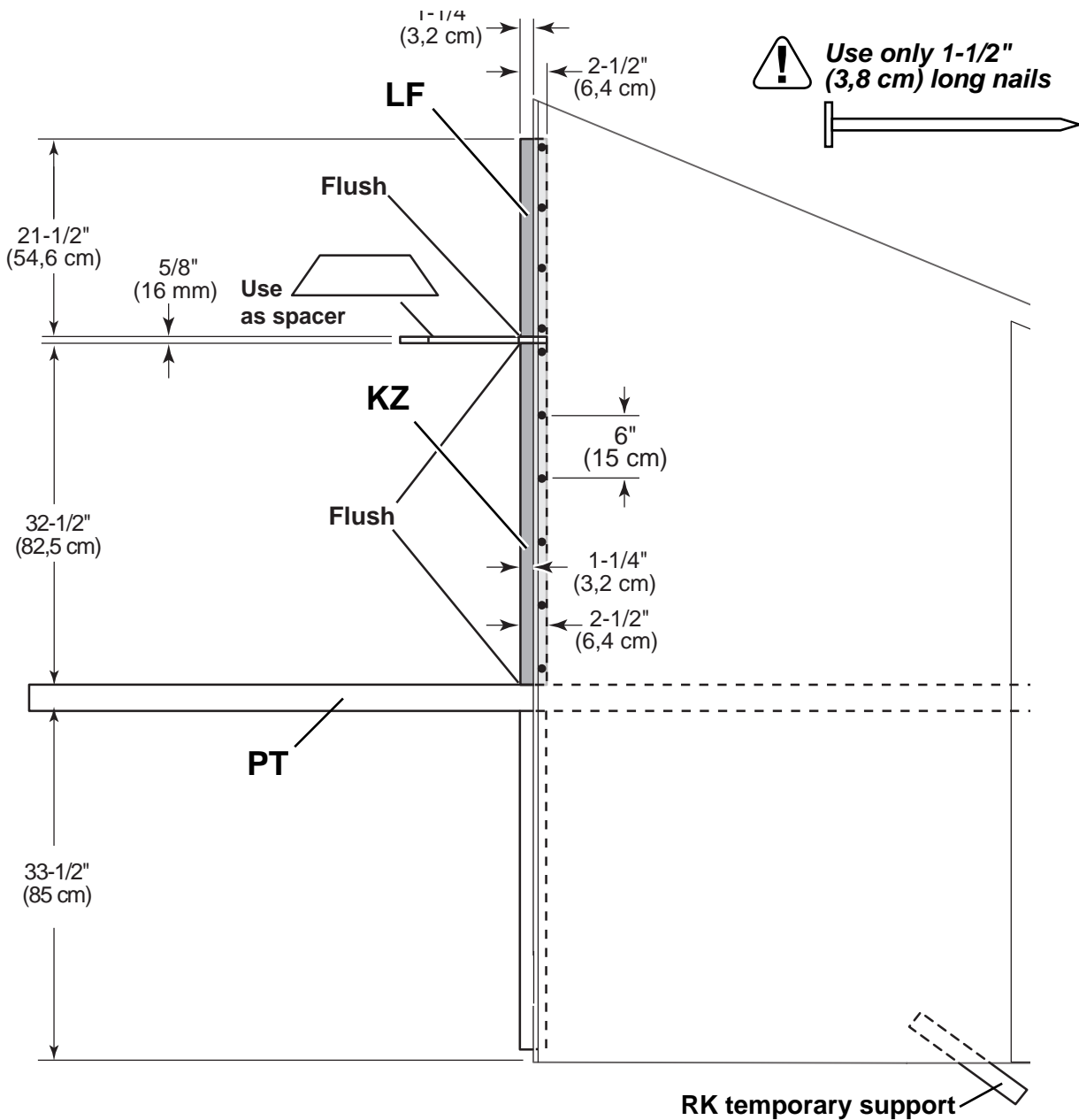
x10  1-1/2" (3,8 cm)



- 4** Install **KZ** flush on **PT**.
Secure with 1-1/2" nails spaced 6" apart.

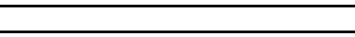
Place the 5/8" temporary spacer on **KZ**.

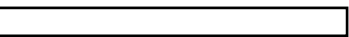
- 5** Place **LF** flush to spacer.
Secure with 1-1/2" nails spaced 6" apart.

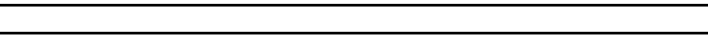


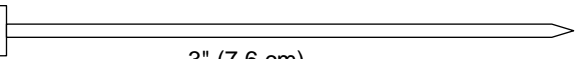
BACK WALL

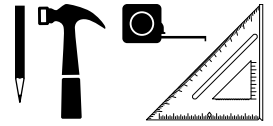
PARTS REQUIRED:

x5 
2 x 3 x 66-1/2" (5 x 7,6 x 169 cm)

x2 
2 x 3 x 46-1/2" (5 x 7,6 x 118 cm)

x2 
2 x 3 x 94-1/2" (5 x 7,6 x 240 cm)

x24 
3" (7,6 cm)

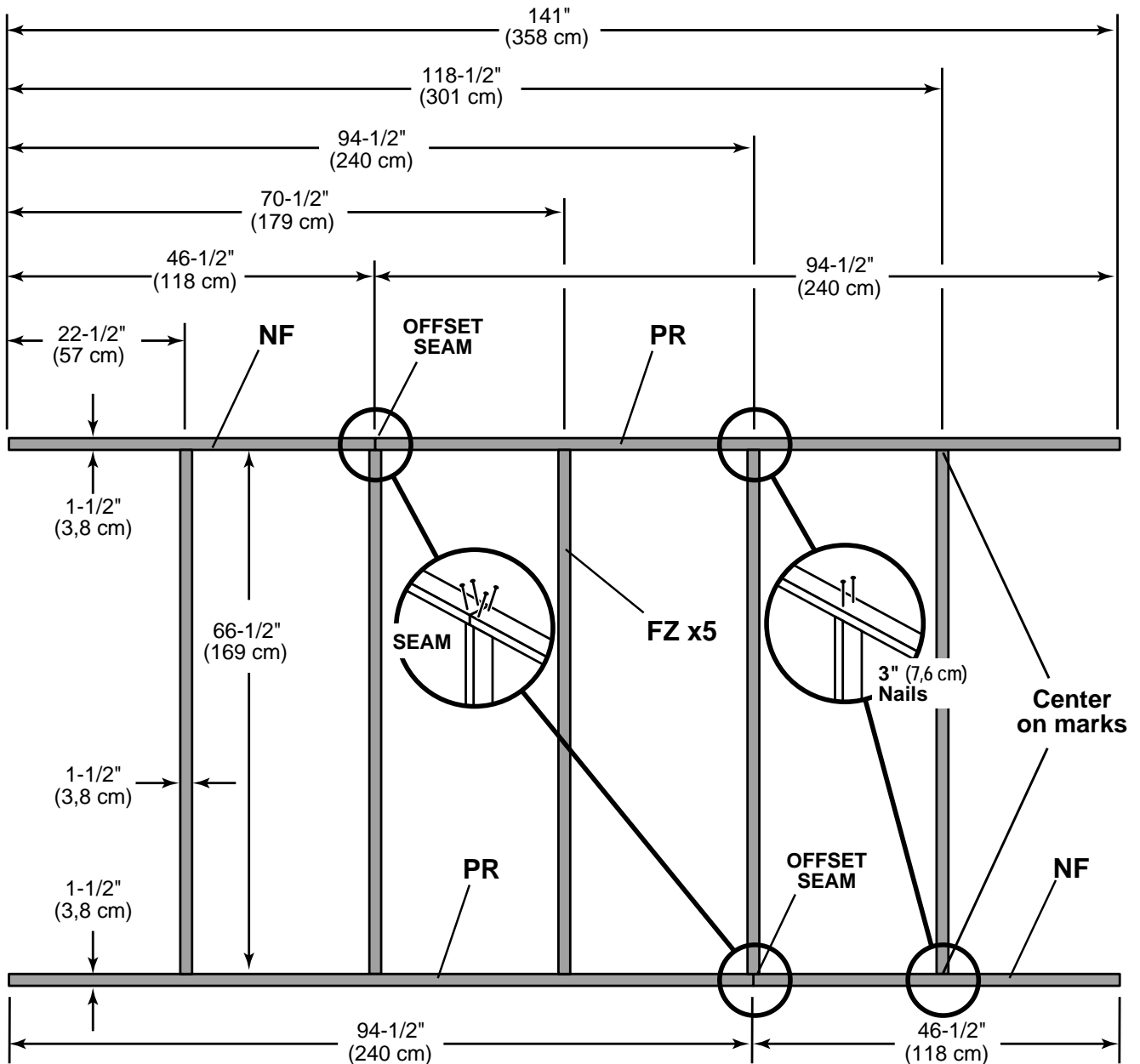
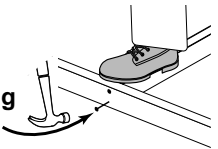


BEGIN

- 1 Arrange parts on edge on floor, as shown. Measure and mark.
- 2 Secure with (2) 3" nails at each connection and (4) 3" nails at seams.




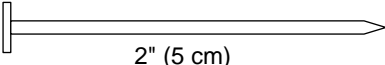
HINT:
For easier nailing
stand on frame.



BACK WALL

PARTS REQUIRED:

- x1  3/8 x 48 x 72"
(1 x 122 x 183 cm)
- x1 **RK** 2 x 3 x 13" (5 x 7,6 x 33 cm) as spacer

x34  2" (5 cm)


**3/4" GAUGE
BLOCK**



Ensure your wall frame is square by installing (1) panel and squaring frame.

- 3 Place the 48 x 72" panel onto wall frame with primed side up as shown. Note the lip and square edges.

Use the gauge block to mark the 3/4" measurement on the wall stud.
Use RK as a 1-1/2" gauge block at top.
Secure panel with (2) 2" nails in the corners (**Fig. A**).

- 4 Move to the opposite end. Using the long edge of the panel as a lever move the panel side-to-side until you have a 3/4" measurement on the wall stud. Secure corner with (2) 2" nails (**Fig. B**).

- 5 Secure the panel using 2" nails 6" spaced apart on edges and 12" apart inside panel.

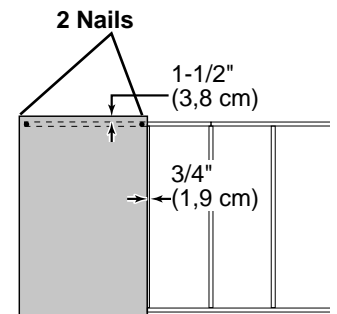
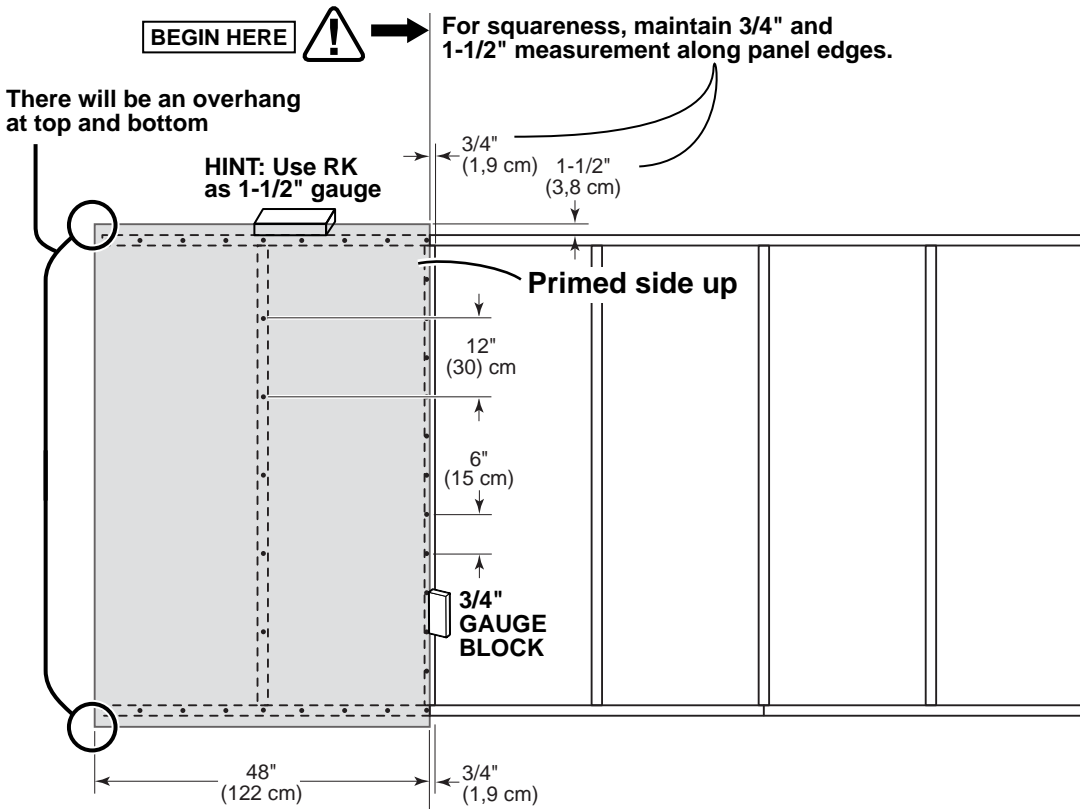


Fig. A

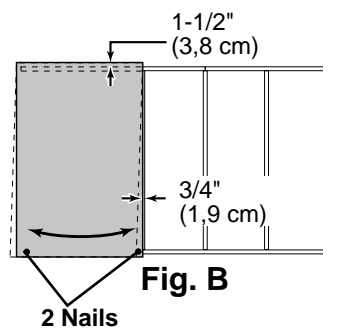


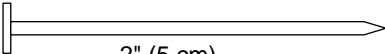


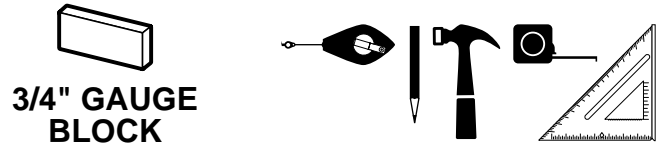
Fig. B

BACK WALL

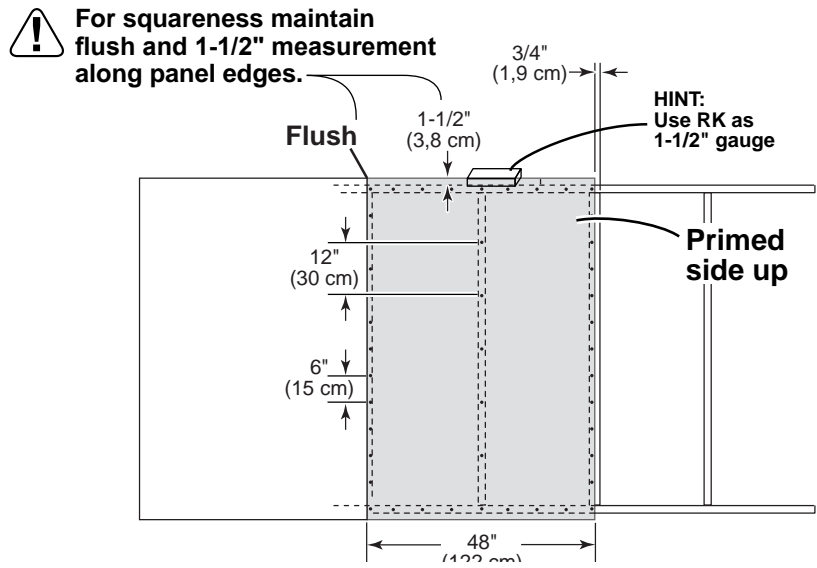
PARTS REQUIRED:

- x2  3/8 x 48 x 72"
(1 x 122 x 183 cm)
- x1  2 x 3 x 13" (5 x 7,6 x 33 cm) as spacer

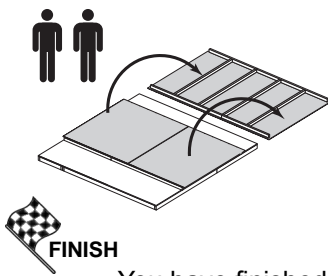
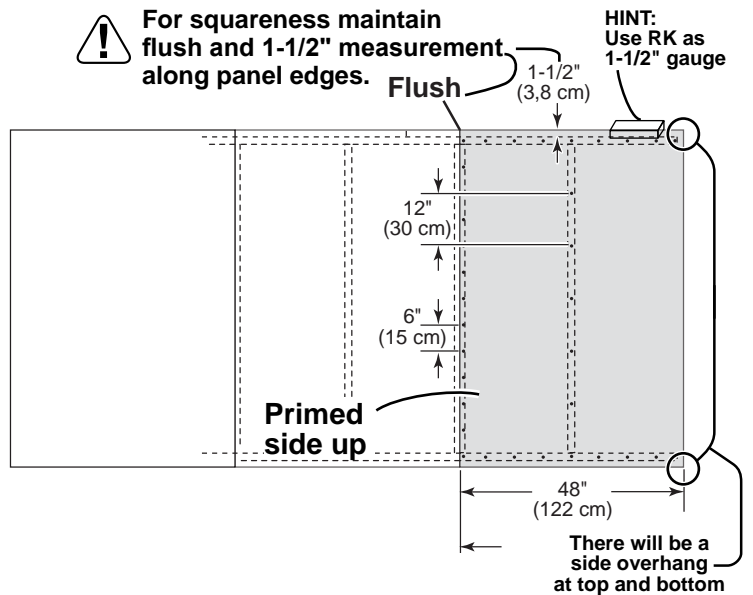
x192  2" (5 cm)



- 6** Place center 48" panel on frame with primed side facing up.
Secure with 2" nails 6" spaced apart on edges and 12" apart inside panel.



- 7** Install (2) 48" panels on frame flush to installed panel, with primed side facing up.
Secure with 2" nails 6" spaced apart on edges and 12" apart inside panel.

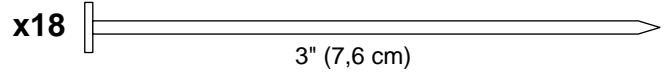


You have finished building your back wall.

FRONT WALL

PARTS REQUIRED:

x1 **FL** 2 x 3 x 14-1/2" (5 x 7,6 x 36,8 cm)

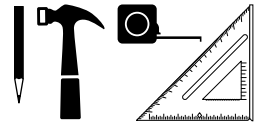


x1 **FN** 2 x 3 x 62-1/2" (5 x 7,6 x 158,8 cm)

x1 **NF** 2 x 3 x 46-1/2" (5 x 7,6 x 118 cm)

x4 **OT** 2 x 3 x 68" (5 x 7,6 x 173 cm)

x1 **PR** 2 x 3 x 94-1/2" (5 x 7,6 x 240 cm)

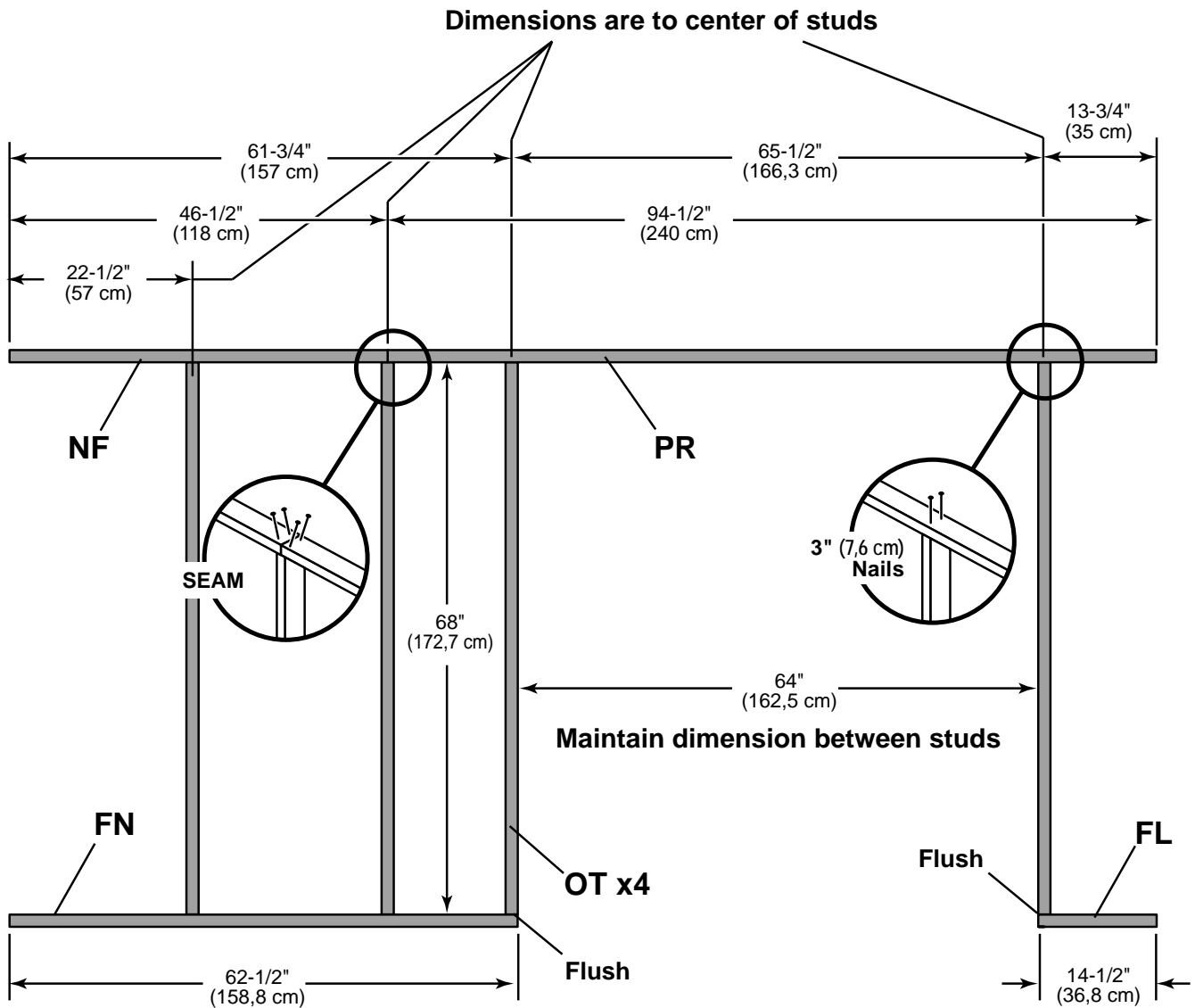
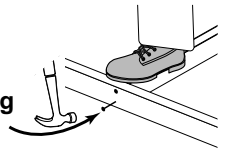


✓ **BEGIN**

- 1 Arrange parts on edge on floor as shown. Measure and mark.
- 2 Secure with (2) 3" nails at each connection and (4) 3" nails at seam.

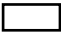



HINT:
For easier nailing
stand on frame.




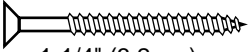
OVERHANG PANELS

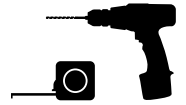
PARTS REQUIRED:

x2  2 x 3 x 7-7/8" (5 x 7,6 x 20 cm)

x1  3/8 x 7-7/8 x 94-1/2" (0,9 x 20 x 240 cm)

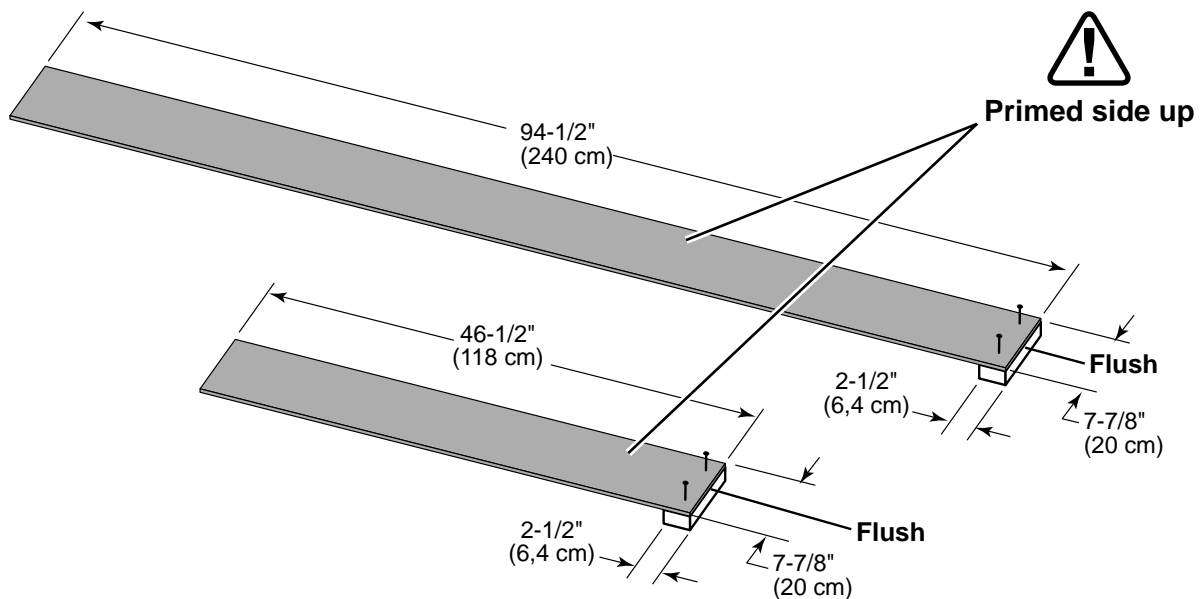
x1  3/8 x 7-7/8 x 46-1/2" (0,9 x 20 x 118 cm)

x4  1-1/4" (3,2 cm)



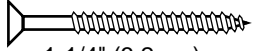
3 Orient (2) overhang panels with the primed side up.


4 Secure panels flush to **2 x 3 x 7-7/8"** with (2) 1-1/4" (3,2 cm) screws as shown.

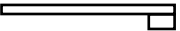


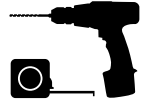
FRONT WALL

PARTS REQUIRED:


x16  1-1/4" (3,2 cm)

x1  Overhang


x1  Overhang

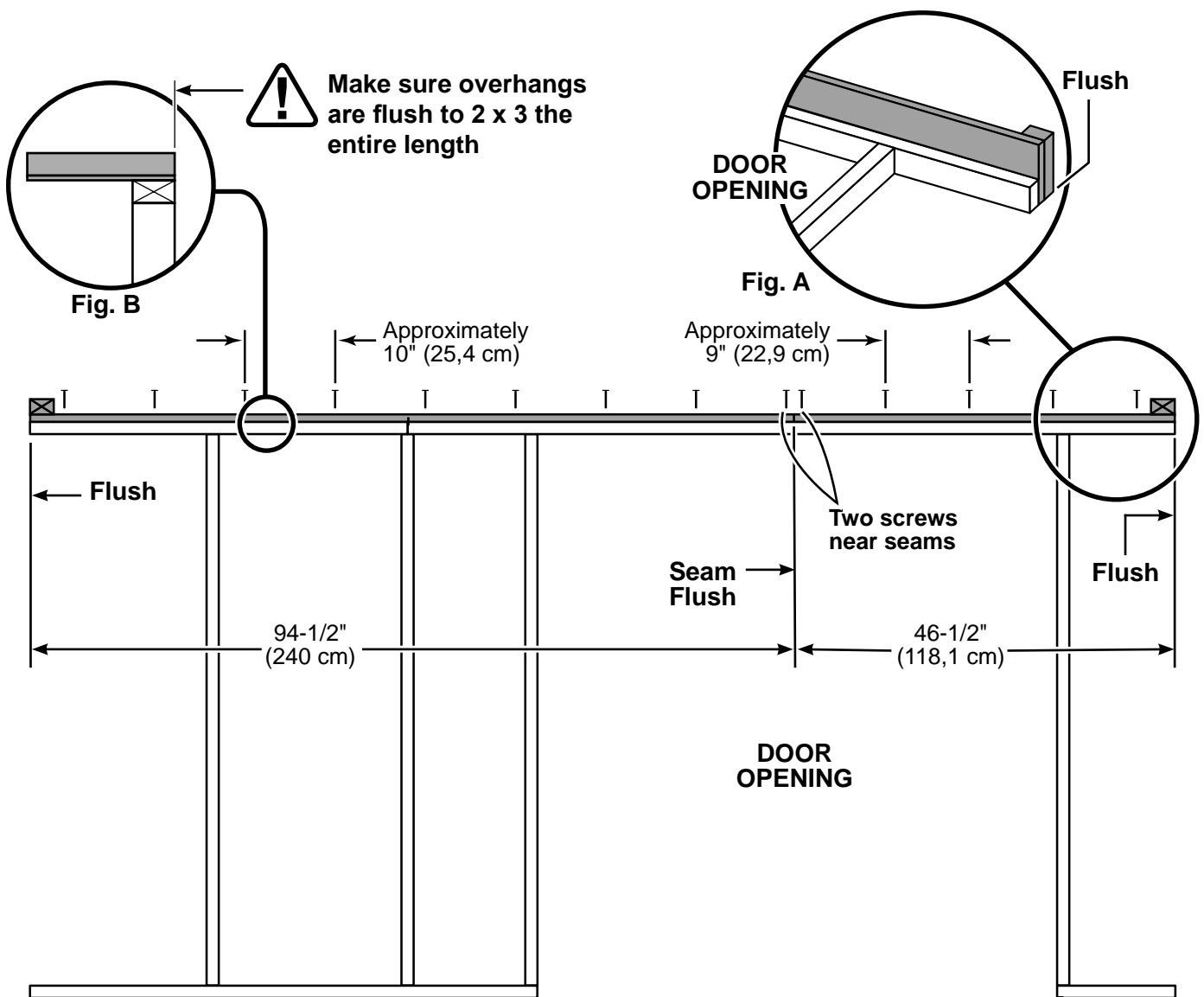


5 Place overhang on wall panel, flush to back side and ends.

 Place overhang flush to 2 x 3 (Fig. A.)

6 Screw into top plate using (14) 1-1/4" (3,2 cm) screws.

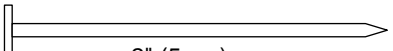
 Keep overhang flush to 2 x 3 (Fig. B.)

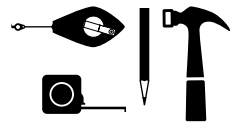
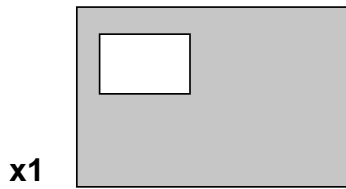


You have finished attaching your overhang.

FRONT WALL

PARTS REQUIRED:

x34  2" (5 cm)



Ensure your wall frame is square by installing (1) panel and squaring frame.



Place the panel onto wall frame flush under overhang with primed side up as shown (**Fig. A**).

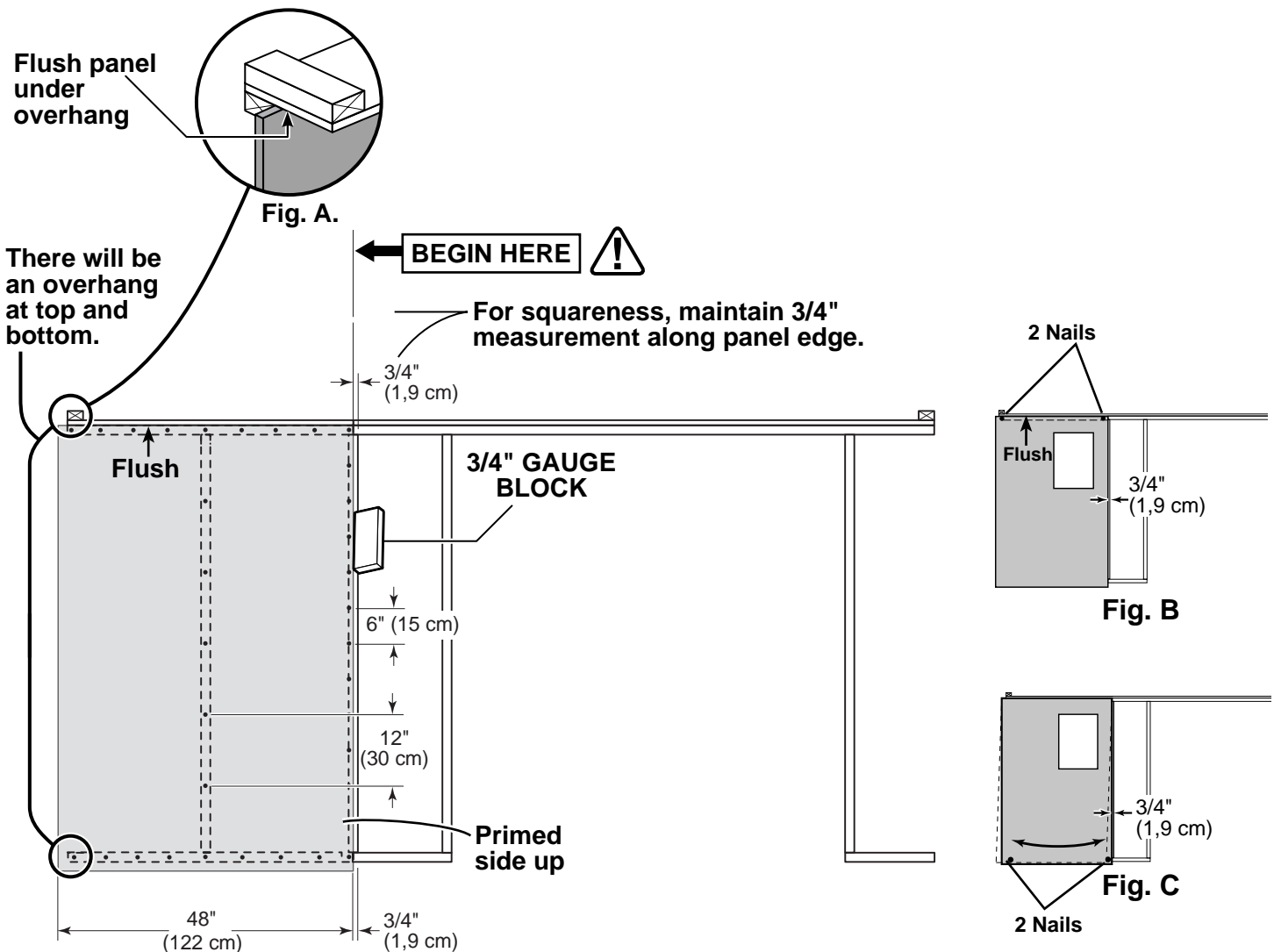
Use the gauge block to mark the 3/4" measurement on the wall stud. Secure panel with (2) 2" nails in the corners (**Fig. B**).

2

Move to the opposite end. Using the long edge of the panel as a lever move the panel side-to-side until you have a 3/4" measurement on the wall stud (**Fig. C**). Secure corner with (2) 2" nails.


3


Nail the panel using 2" nails 6" spaced apart on edges and 12" apart inside panel.

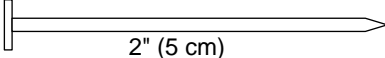



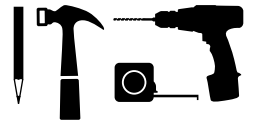
FRONT WALL

PARTS REQUIRED:

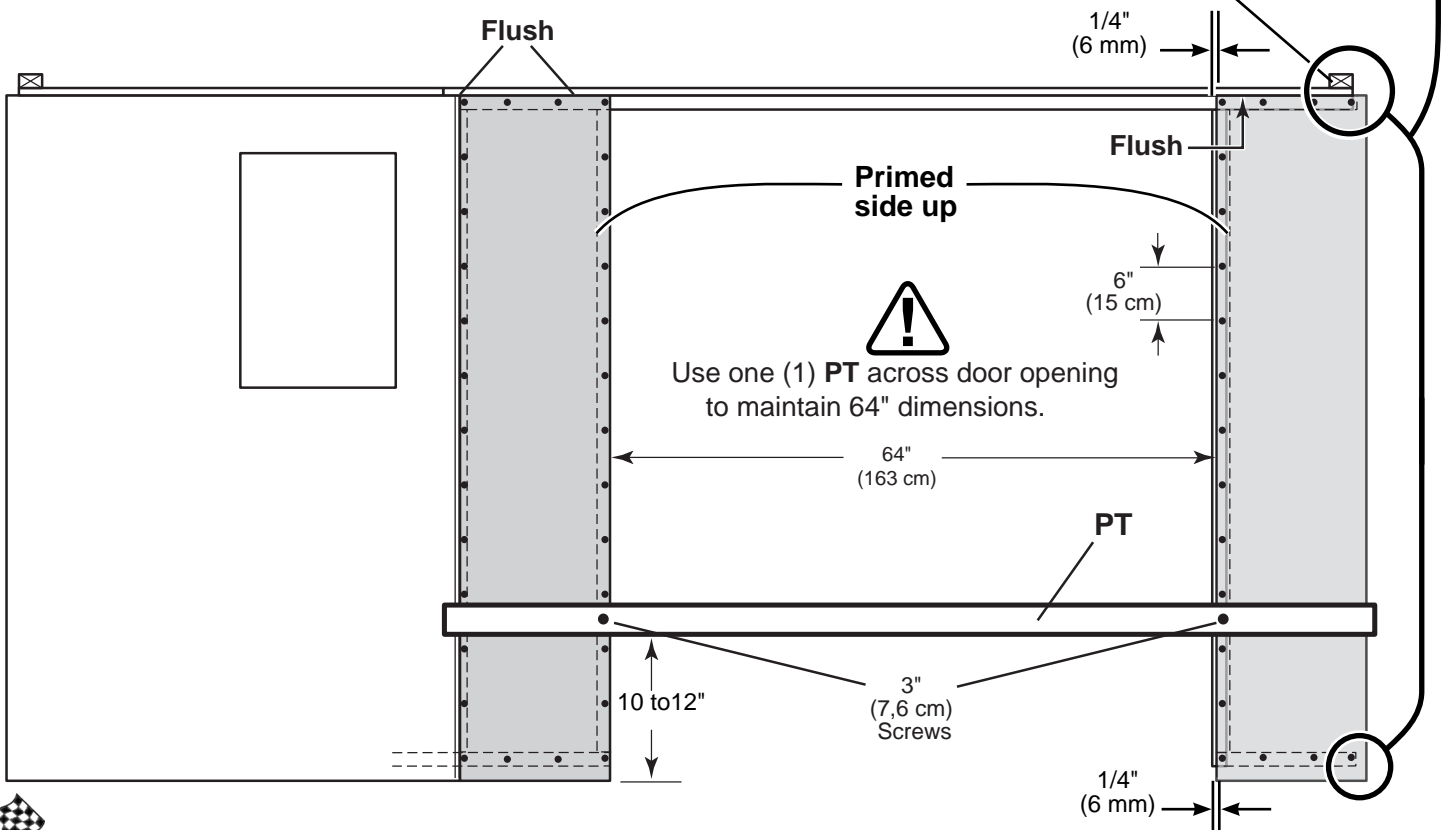
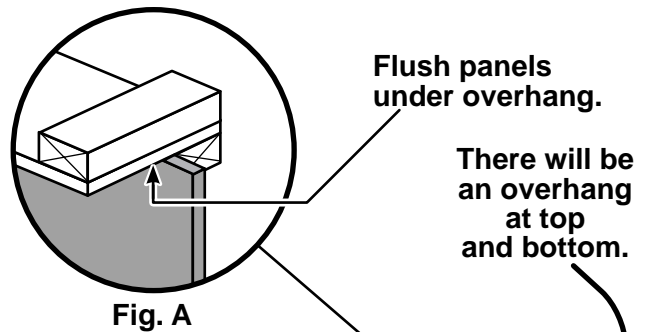
x2 
 3/8 x 15-7/8 x 72" (1 x 40 x 183 cm)

x1 **PT** 
 2 x 3 x 96" (5 x 7,6 x 244 cm)

x49  2" (5 cm)
 x2  3" (7,6 cm)



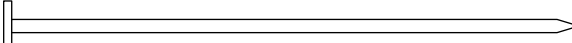

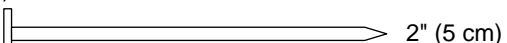
- 4 Continue installing panels primed side up flush under overhang (**Fig. A**). Note 1/4" (6,4 mm) offset on right panel.
- 5 Use **PT** as a brace to maintain 64" (163 cm) opening. Secure with (2) 3" screws.
- 6 Secure panels with 2" nails 6" spaced apart on edges and 12" apart inside panel.



Your front wall panels are now installed.

LEFT WALL INSTALLATION

PARTS REQUIRED:

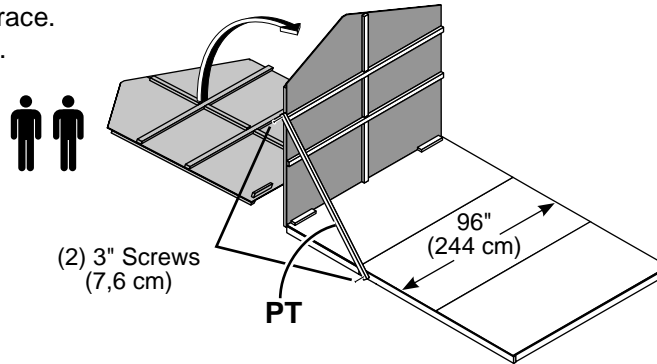
- x6  3" (7,6 cm)
- x4  3" (7,6 cm)
- x18  2" (5 cm)

- x1 **PT**
2 x 3 x 96" (5 x 7,6 x 244 cm)




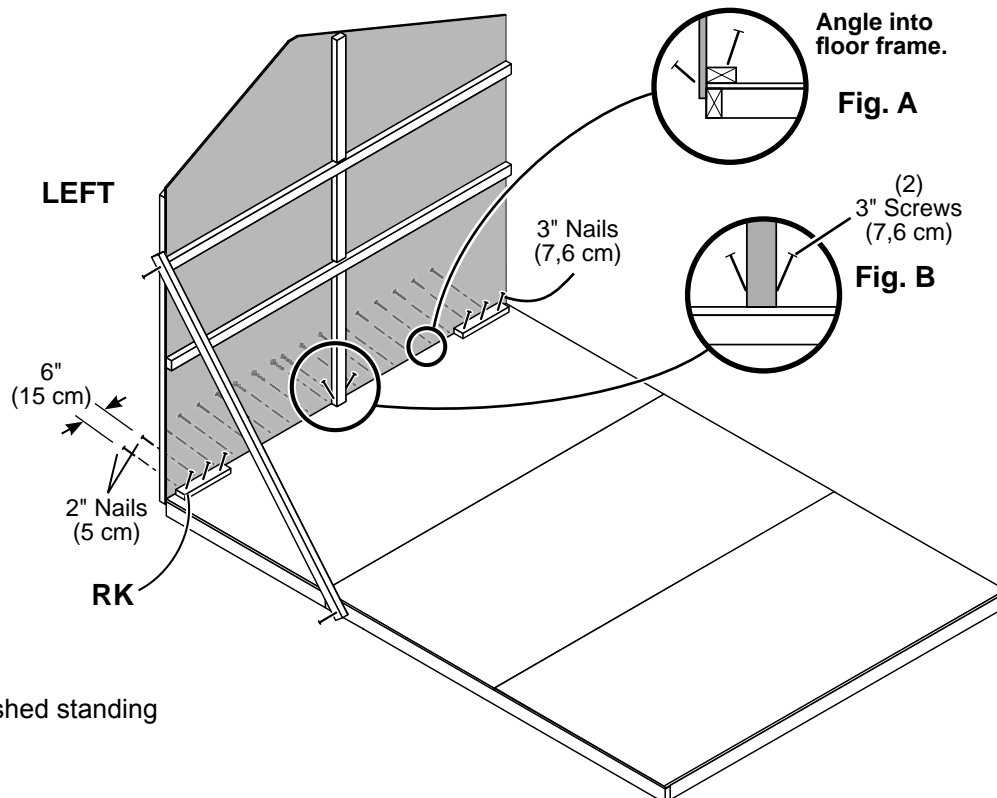
✓ BEGIN

- 1 Center left wall assembly on the 96" (244 cm) floor dimension.
- 2 Use **PT** as a temporary brace. Secure with (2) 3" screws.



- 3 First, nail lower edge of panel to floor frame using 2" nails 6" spaced apart. Angle nail to hit floor frame (**Fig. A**).
- 4 Attach **RK**, using (3) 3" (7,6 cm) nails as shown. Angle nails into floor frame (**Fig. A**).
- 5 Secure back wall uprights to floor using (2) 3" screws (**Fig. B**).

 **Nail 2" nails first.**

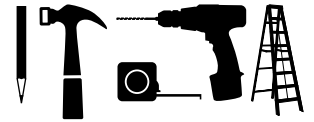
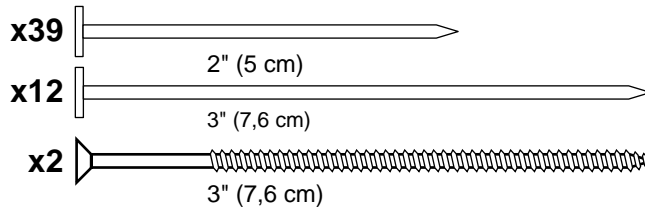


FINISH

You have finished standing your left wall.

BACK WALL INSTALLATION

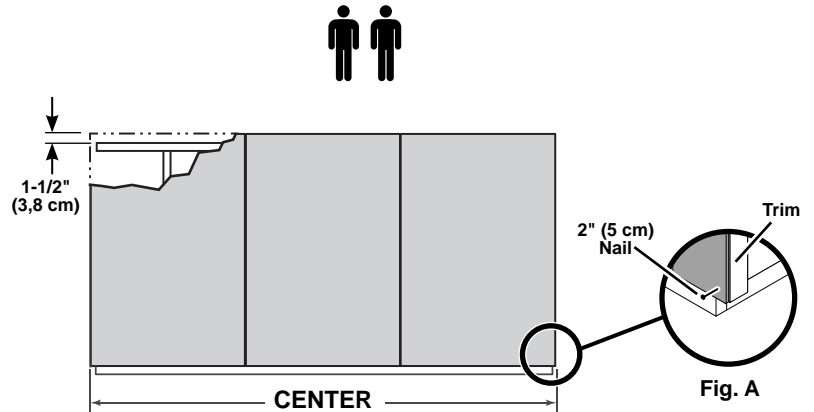
PARTS REQUIRED:



BEGIN

- Center back wall on floor, side-to-side.
 1-1/2" (3,8 cm) panel overhang is at top.

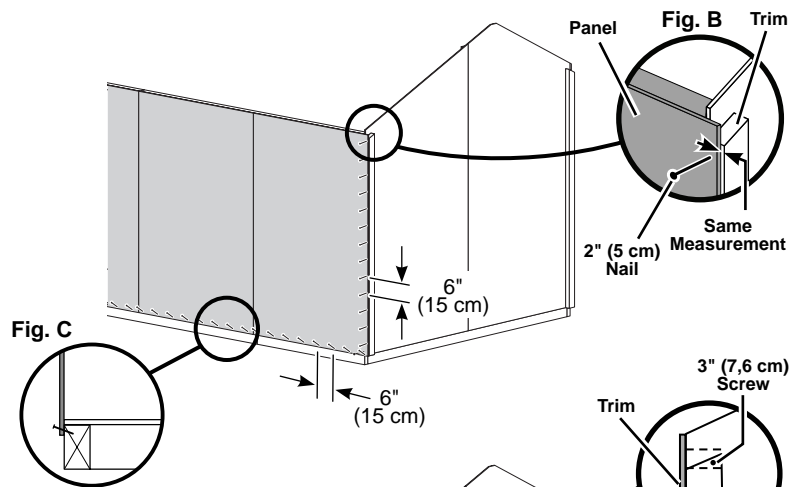
Nail the lower back wall corner to the side wall trim with (1) 2" nail (Fig. A).



- Be sure the measurement between the panel edge and the trim is the same along the entire length. Secure with (1) 2" nail in the upper corner (Fig. B).

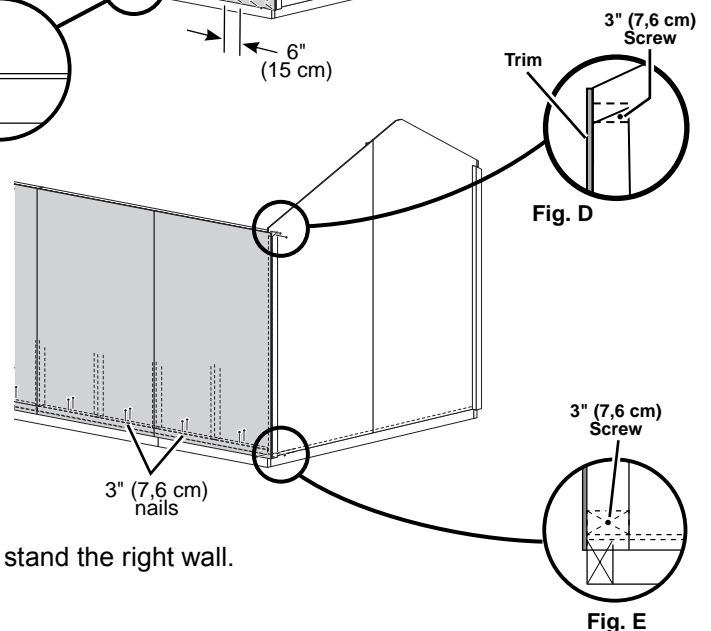
Nail along the panel edge into the trim using 2" nails spaced 6" apart.

Nail along bottom of panel using 2" nails spaced 6" apart. Angle nail into floor frame (Fig. C).



- Nail down the bottom plate using (2) 3" nails between the wall studs.

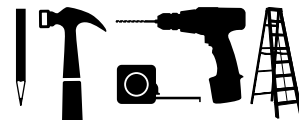
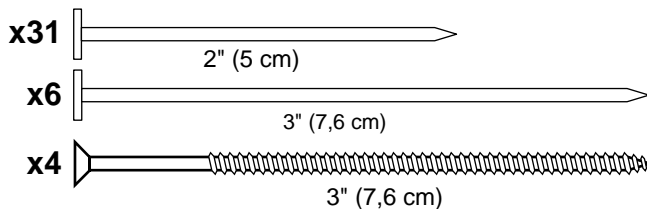
Screw through the backwall trim into the top and bottom plates using (1) 3" screw (Fig. D, Fig. E).



You have finished standing your back wall. Proceed to stand the right wall.

RIGHT WALL INSTALLATION

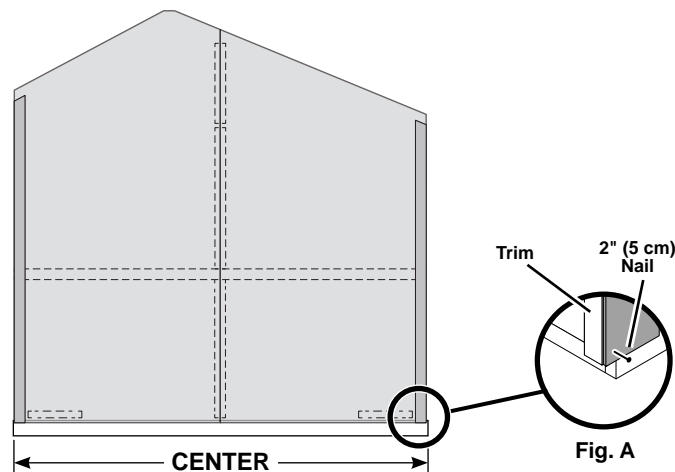
PARTS REQUIRED:



BEGIN

1 Center right wall on floor, side-to-side.

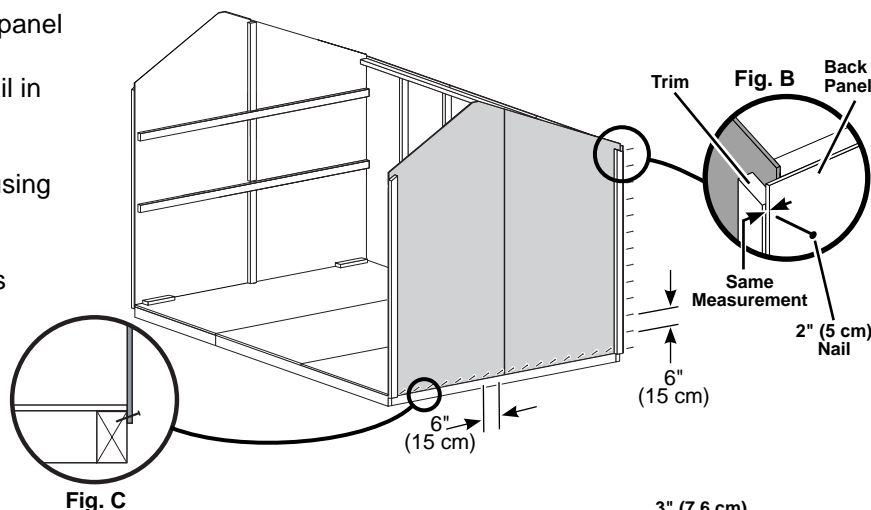
Nail the lower back wall corner to the right wall trim. Secure with (1) 2" nail (**Fig. A**).



2 Be sure the measurement between the panel edge and the trim is the same along the entire length. Then secure with (1) 2" nail in the upper corner (**Fig. B**).

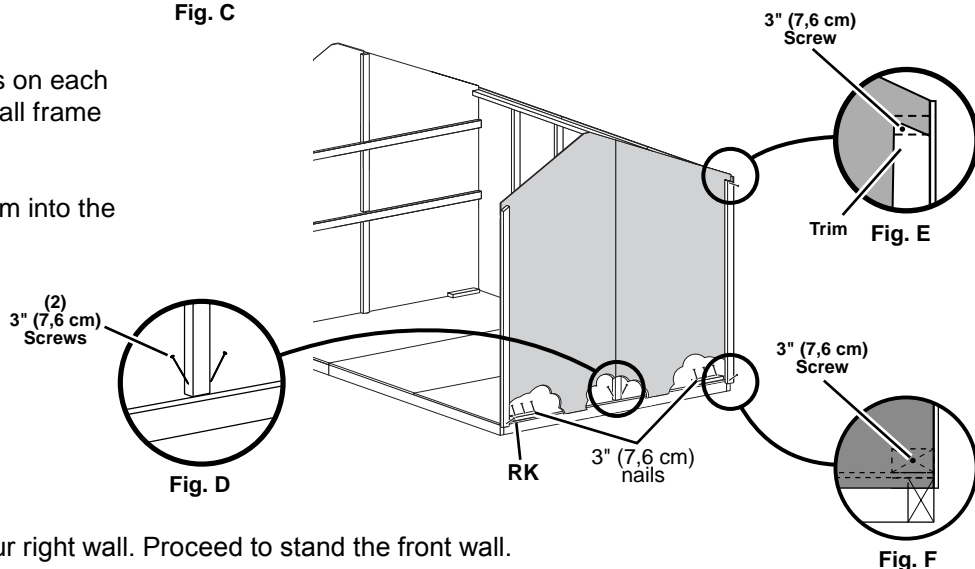
Nail along the panel edge into the trim using 2" nails spaced 6" apart.

Nail along bottom of panel using 2" nails spaced 6" apart.
Angle nail into floor frame (**Fig. C**).



3 Nail down RK using (3) 3" nails on each as shown and secure center wall frame using (2) 3" screws (**Fig. D**).

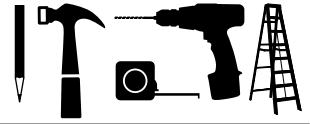
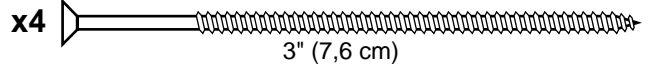
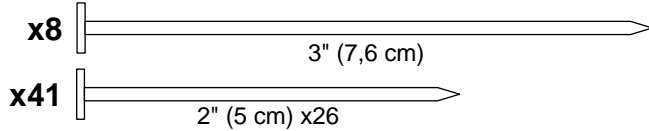
Screw through the right wall trim into the top and bottom plates using 3" screws (**Fig. E**, **Fig. F**).




You have finished standing your right wall. Proceed to stand the front wall.

FRONT WALL INSTALLATION

PARTS REQUIRED:



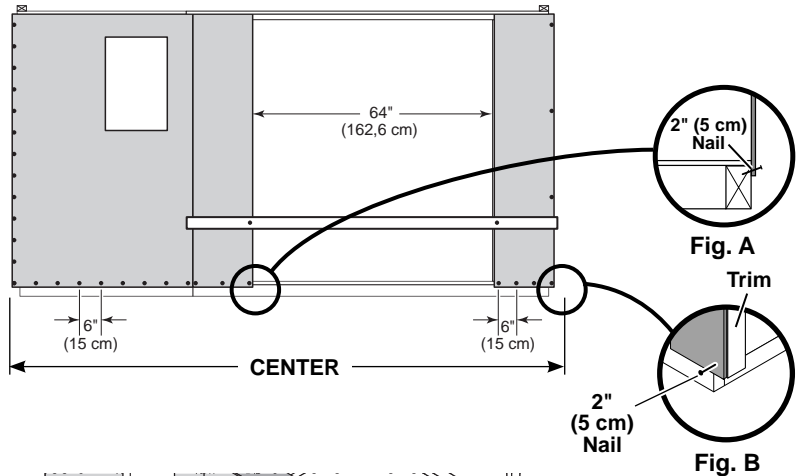
BEGIN 1

Center front wall on floor side-to-side. 

Check the 64" door opening is held before nailing.

Nail the front wall flush to the floor using 2" nails 6" spaced apart. Angle nails to hit floor frame (**Fig. A**).

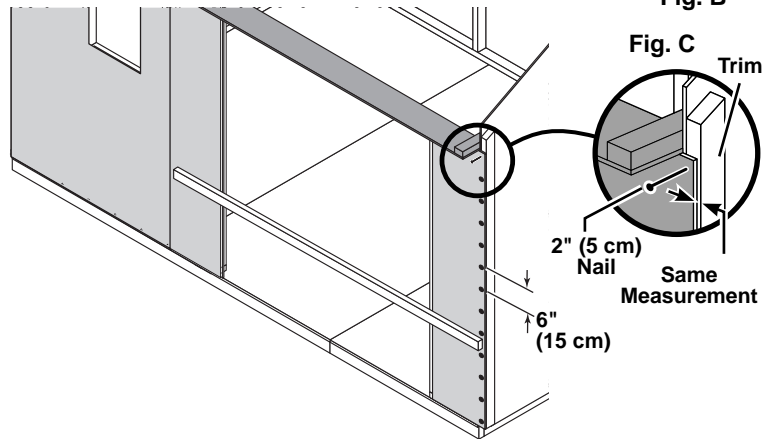
Nail the lower side wall corner to the side wall trim with (1) 2" nail (**Fig. B**).



2

Be sure the measurement between the panel edge and the trim is the same along the entire length. Secure with (1) 2" nail in the upper corner (**Fig. C**).

Nail along the panel edge into the trim using 2" nails spaced 6" apart.

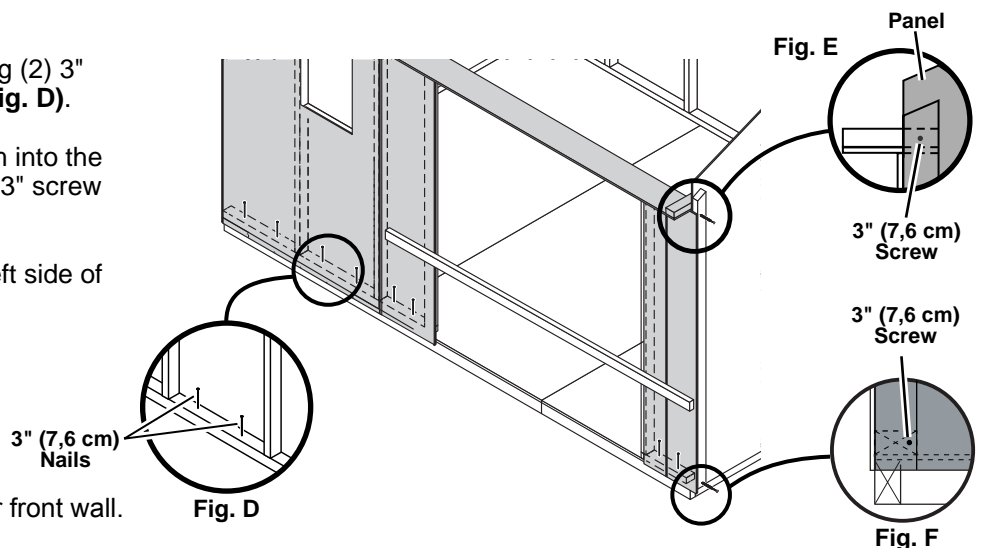


3

Nail down the bottom plate using (2) 3" nails between the wall studs. (**Fig. D**).

Screw through the front wall trim into the top and bottom plates using (1) 3" screw (**Fig. E, Fig. F**).

Repeat process to secure the left side of the front wall.

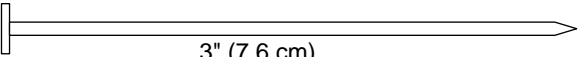



4

You have finished standing your front wall.

FRONT WALL

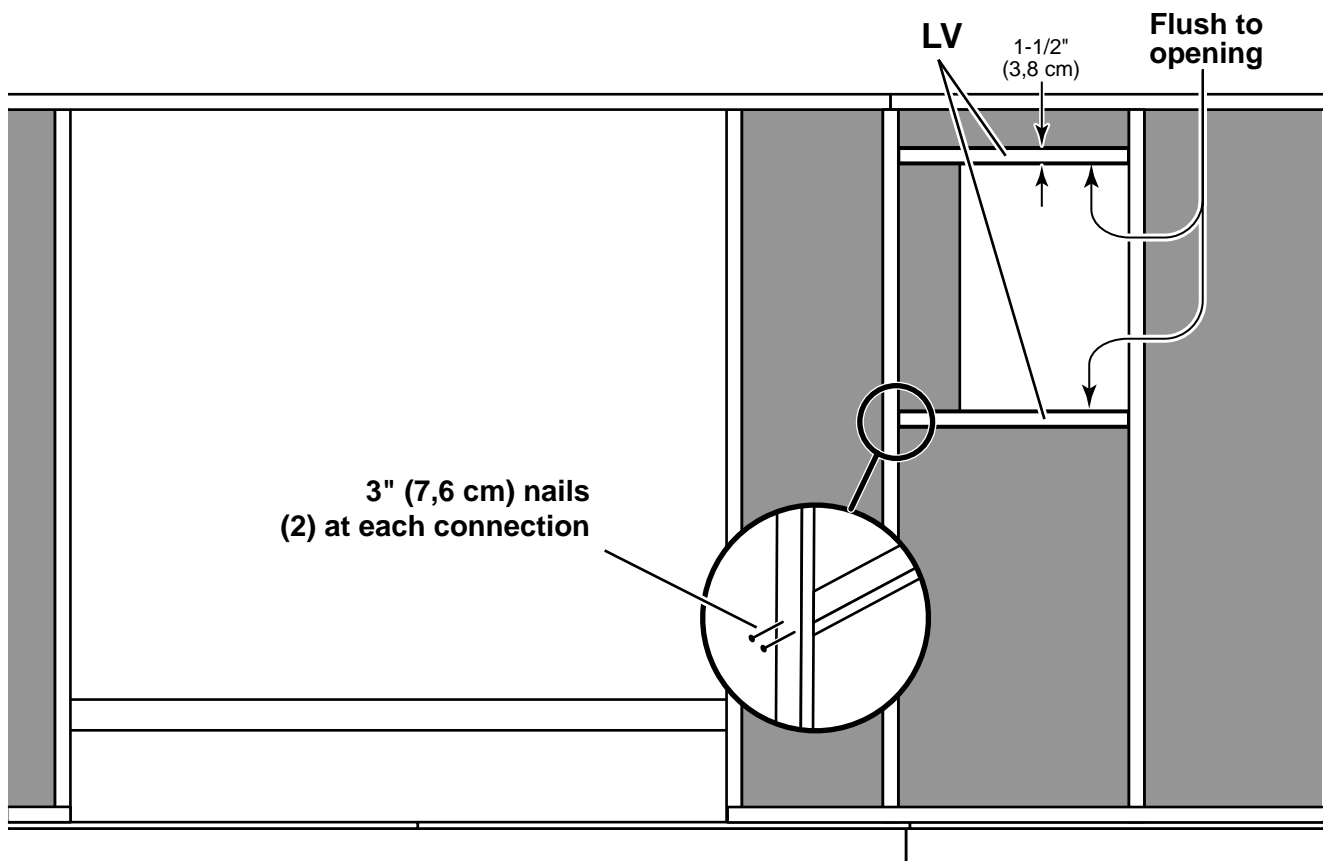
PARTS REQUIRED:

x8  3" (7,6 cm)

x2  LV
2 x 3 x 22-1/2" (5 x 7,6 x 57 cm)



- 5** On inside of front wall, install LV flush to window opening. Secure with 3" nails, as shown.




FRONT WALL

PARTS REQUIRED:

x1 **OT**
2 x 3 x 68" (5 x 7,6 x 173 cm)

x1 **RK**
2 x 3 x 13" (5 x 7,6 x 33 cm)

x4 
3" (7,6 cm)

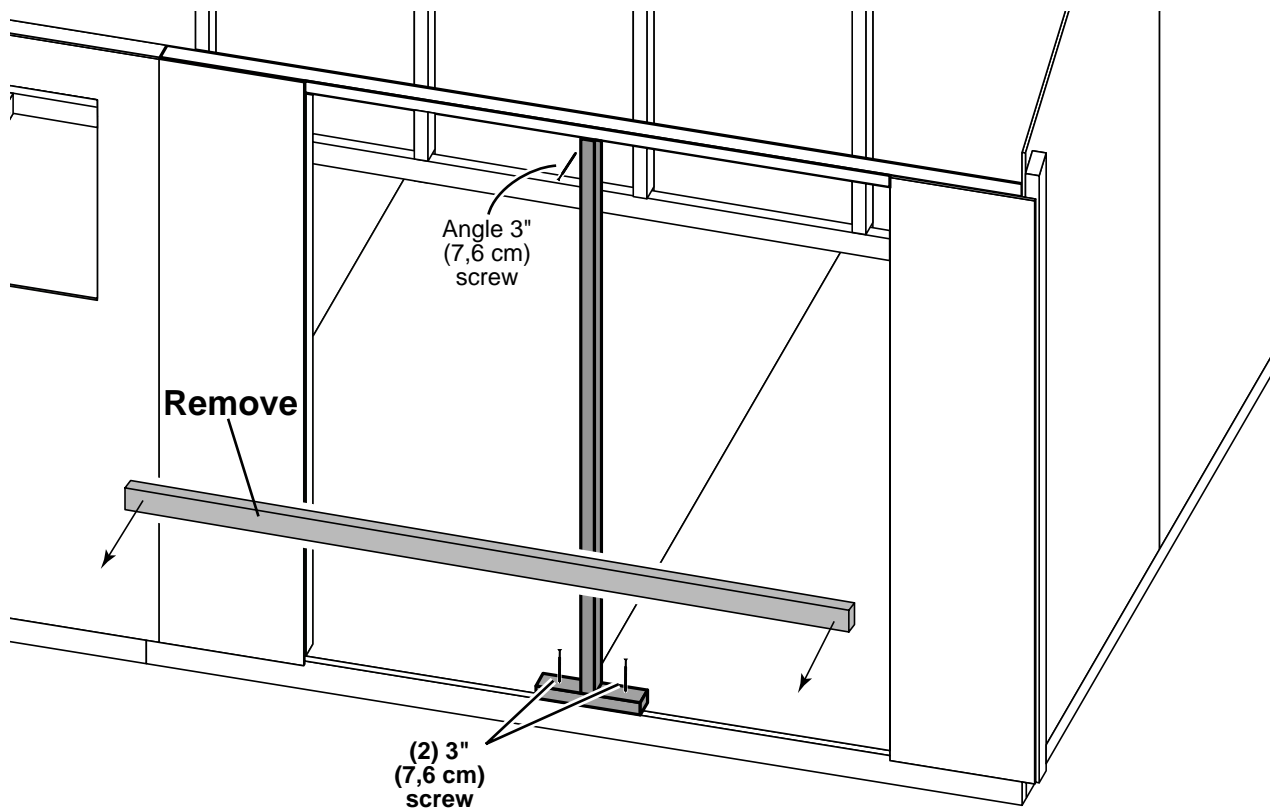
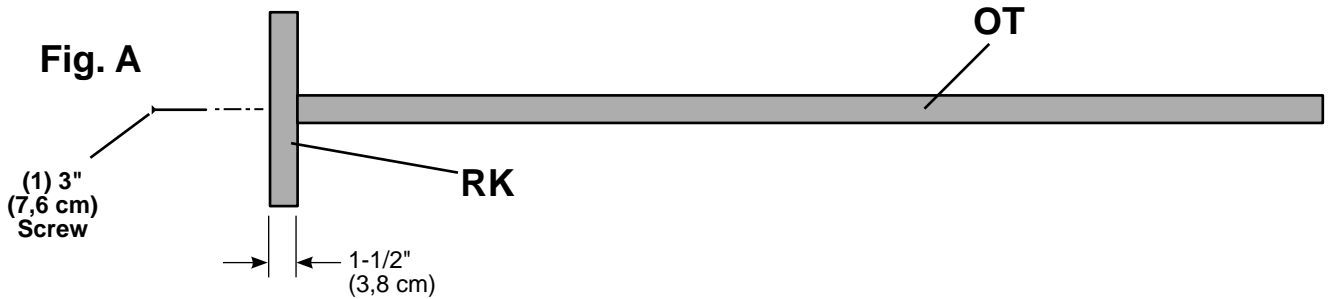


6 Remove temporary support in door opening.

7 Assemble **RK** to **OT** with (1) 3" screw (**Fig. A**).




Use **OT** and **RK** as a temporary brace to support top plate.
Screw securely in place.

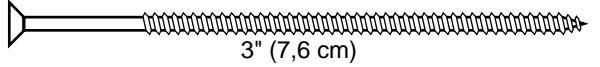


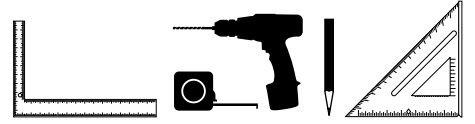
RAFTER JIG

PARTS REQUIRED:

x2 **RK** 2 x 3 x 13" (5 x 7,6 x 33 cm)

x1  3/8 x 5-3/8 x 5-1/2" (1 x 13,6 x 14 cm)

x3  3" (7,6 cm)



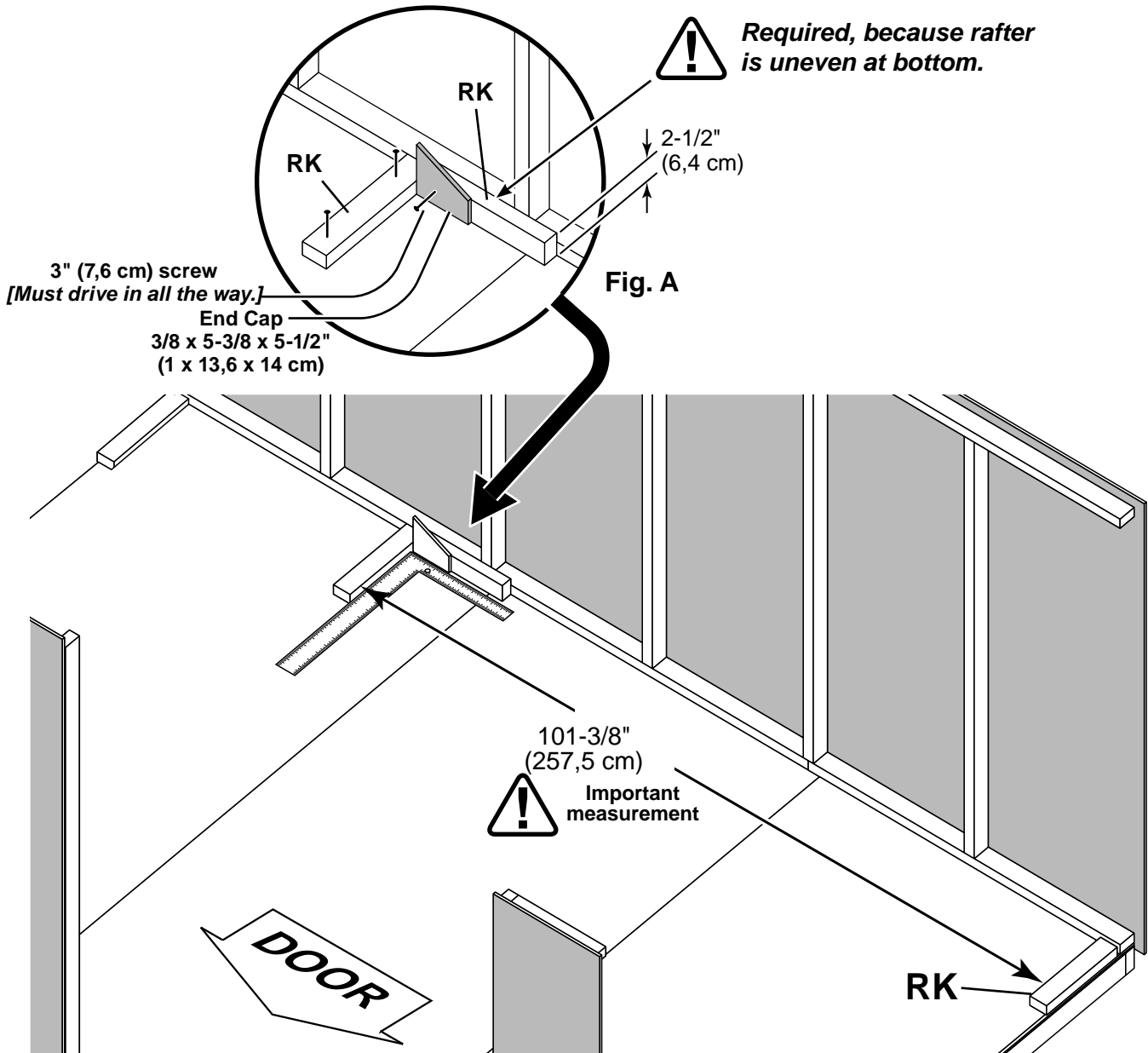
 **BEGIN**

- 1 Make a rafter jig to make sure all rafters are assembled the same.
- 2 Measure from corner of backwall and **RK** (already installed) as shown.
- 3 Secure **RK** on the flat square to back wall at measurement with (2) 3" screws.

Attach a second **RK** on edge and 3/8" thick angle trim piece as shown (**Fig. A**).


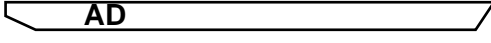
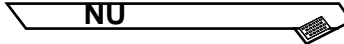
 **FINISH**

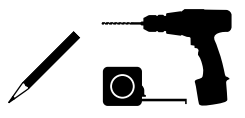
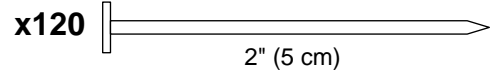
You have finished building your rafter jig.



RAFTERS

PARTS REQUIRED:

- x10  8 x 24" (20 x 61 cm) Gusset
- x5  **AD** 2 x 4 x 65-5/8" (5 x 10 x 167 cm) Rafter
- x5  **NU** 2 x 4 x 46-13/16" (5 x 10 x 119 cm) Rafter

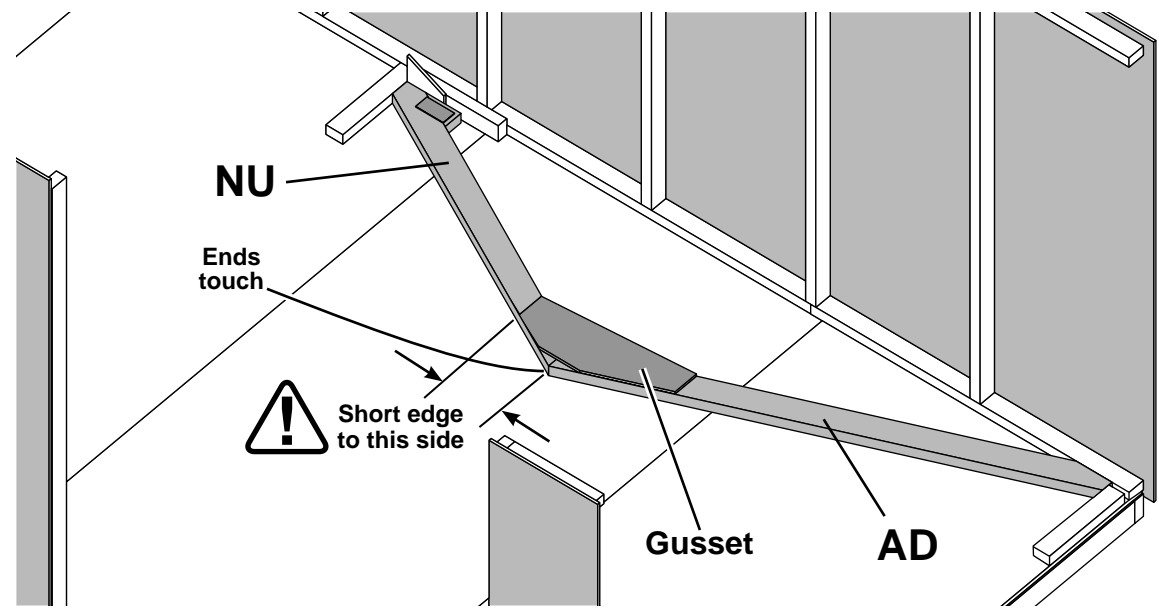
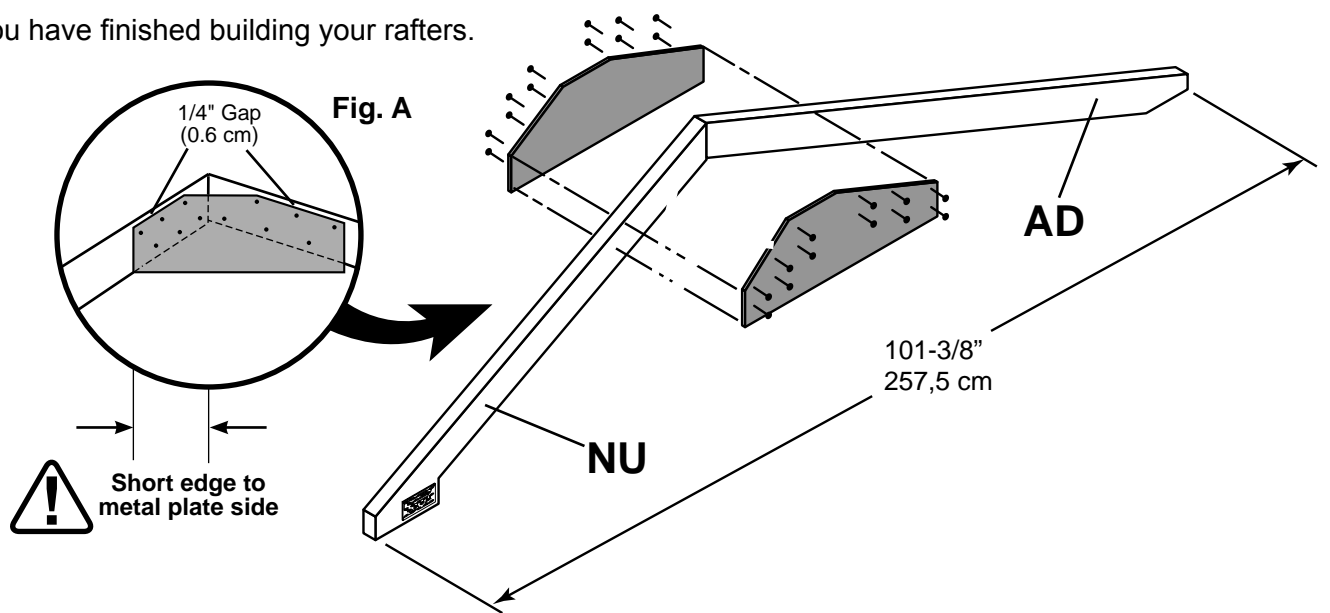


✓ BEGIN

- 1** You will assemble (5) rafters. Place rafter parts on Jig as shown.
- 2** Ends of rafters must touch together at the peak. Secure gusset to rafters (12) 2" nails in the pattern shown.
- 3** Flip over rafter assembly and repeat **STEPS 1-2** to attach second gusset to other side. Repeat steps to build (4) additional rafter assemblies.


FINISH


You have finished building your rafters.



TRIM CAPS

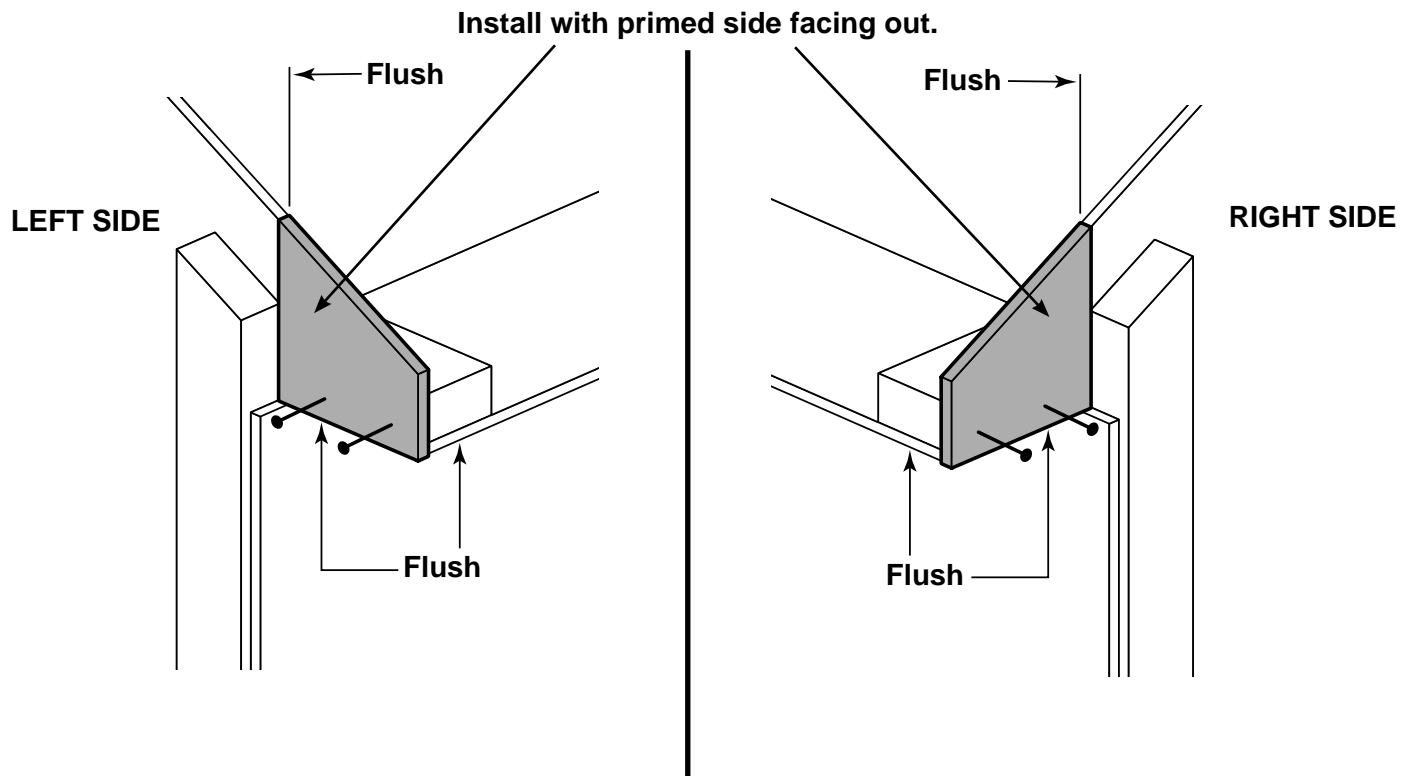
PARTS REQUIRED:

x2  2-5/8 x 5-3/8 x 5-1/2" (6,6 x 13,6 x 14 cm) 1 Left / 1 Right

x4  1-1/4" (3,2 cm)



1 Install trim caps with primed side out and flush with soffit.
Secure with (2) 1-1/4" screws on both sides, as shown.



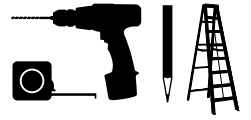
You have finished your trim caps.

TRIM

PARTS REQUIRED:

x2 **NR**
2 x 3 x 65" (5 x 7,6 x 165 cm)

x16
1-1/4" (3,2 cm)

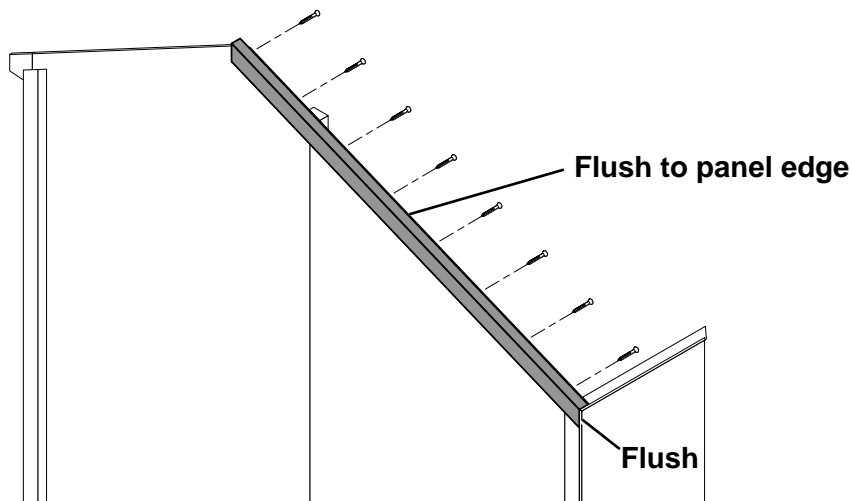
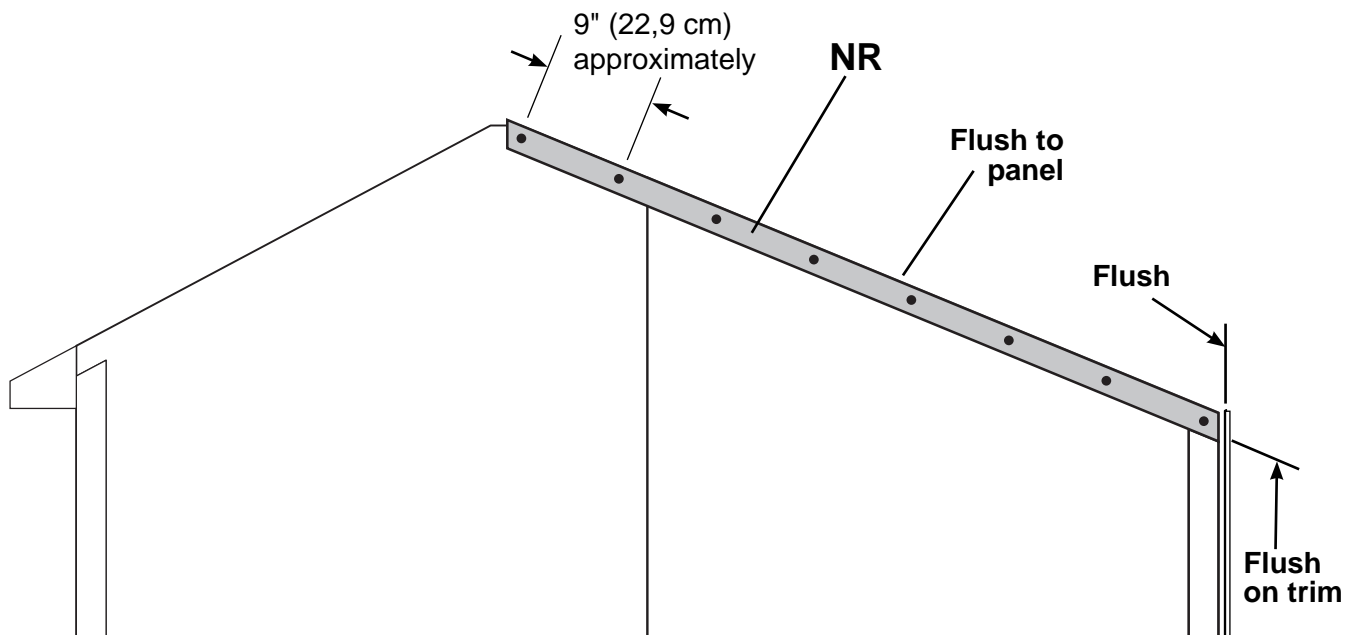


✓ **BEGIN**

1 Install the back trim first, flush to back panel, trim, and panel edge as shown.



2 Working inside, secure trim with (8) 1-1/4" screws spaced 9" apart.

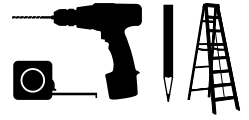


TRIM

PARTS REQUIRED:

x4 **NQ**
2 x 3 x 46-7/8" (5 x 7 x 119 cm)

x12
1-1/4" (3,2 cm)

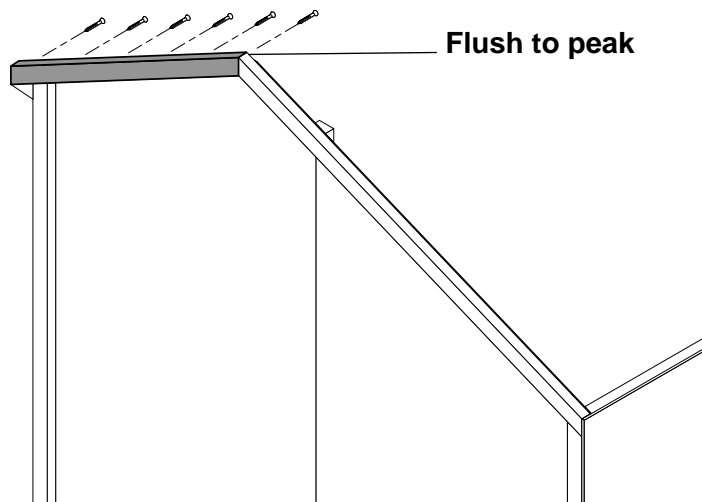
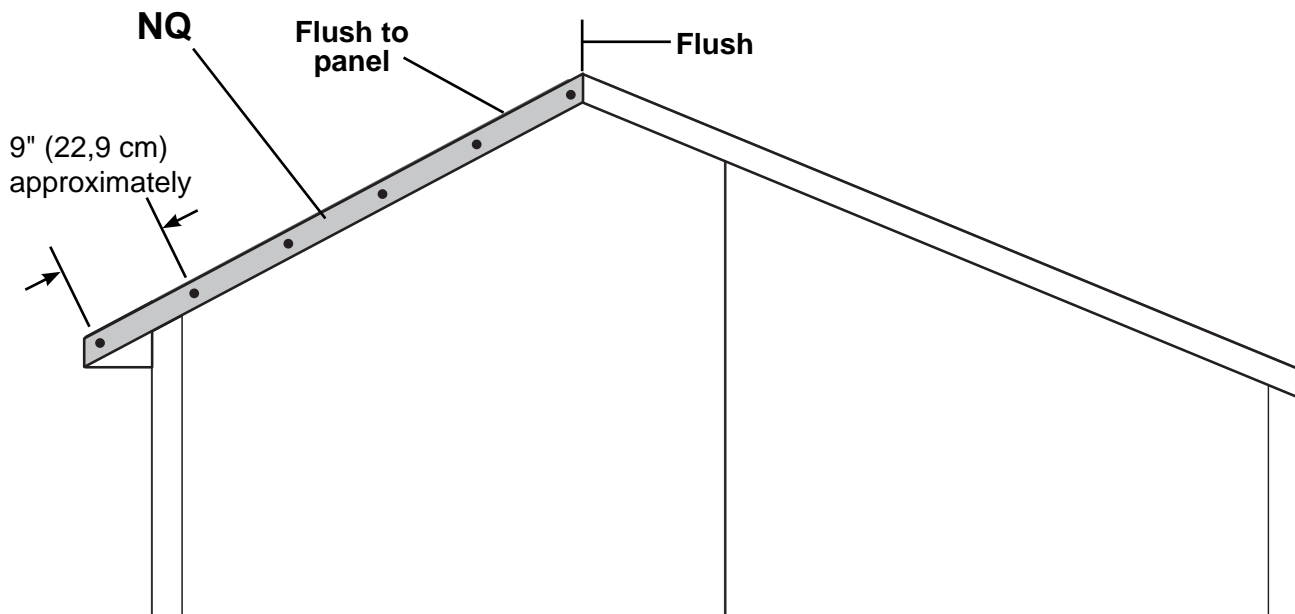


3 Install the front trim, flush to peak and panel edge as shown.



4 Secure with (6) 1-1/4" screws from inside shed.



Repeat steps for opposite side wall.



Your trim is now installed. Proceed to installing your rafters.

ROOF


PARTS REQUIRED:

- x15  2" (5 cm)
- x20  3" (7,6 cm)



BEGIN

1 Mark top of wall frames to measurement shown.

Locate Rafter centered on marks. 

Hold rafter end flush to back wall and overhang. Secure from under overhang with (2) 2" screws. **(Fig. A)**

2 Secure opposite end through panel into rafter end using (1) 2" screw **(Fig. B)**

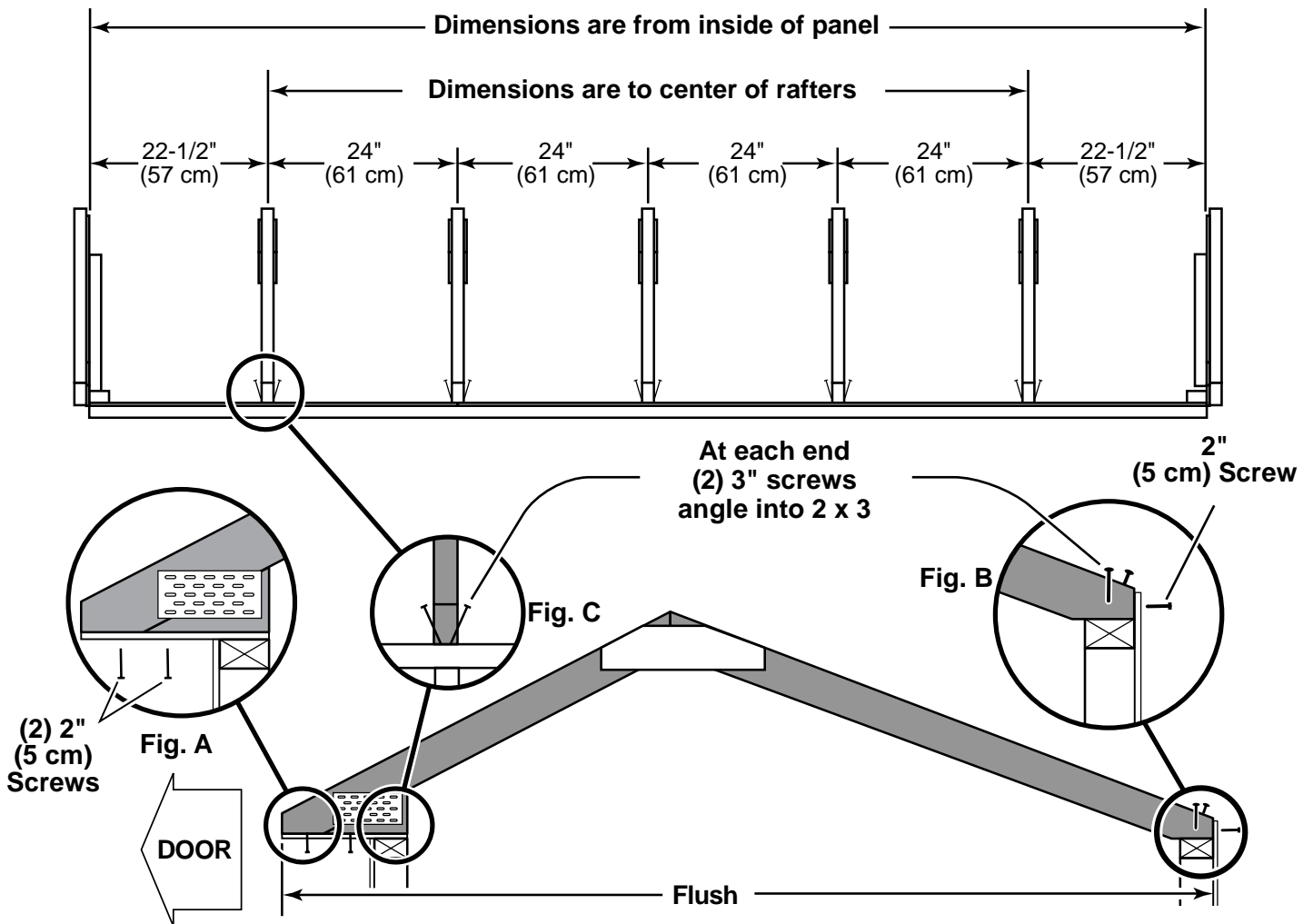
3 Secure rafters at each end with (2) 3" screws. **(Fig. B, Fig. C)**

Repeat steps to install (5) rafters.



FINISH

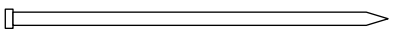
You have attached your rafters. Proceed to attaching your soffit trim.



TRIM

PARTS REQUIRED:

□ x2 **KY**
3/4 x 2-1/2 x 72-3/8" (1,9 x 6,3 x 184 cm)

x16 
2" (5 cm)



✓ **BEGIN**
1

Arrange parts as shown and attach to ends of rafters with (2) 2" finishing nails (Fig. A).

Trim is flush at ends to side wall trim.

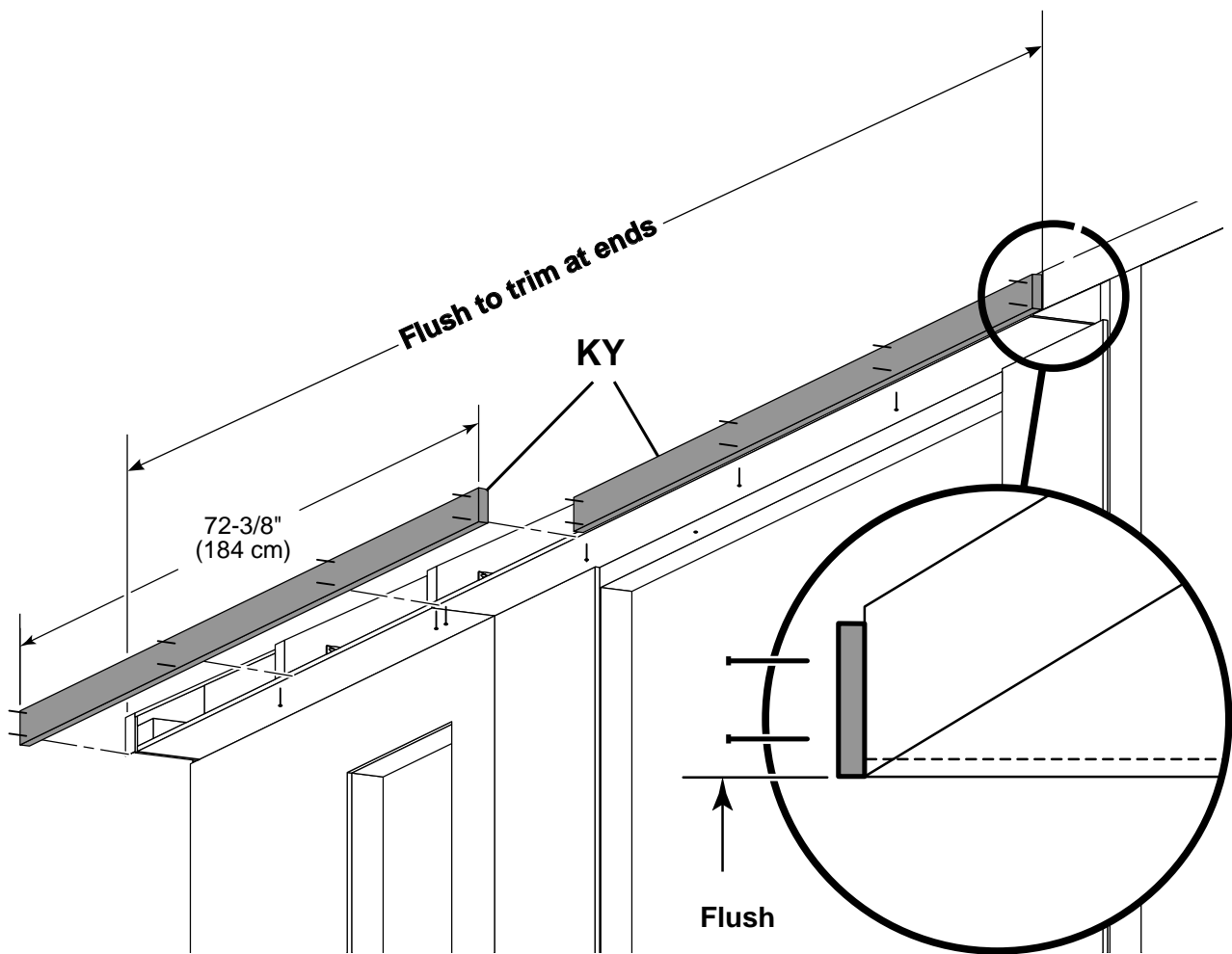


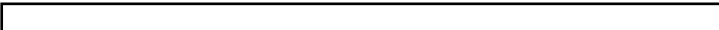
Fig. A

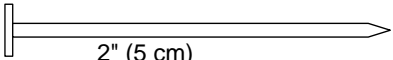


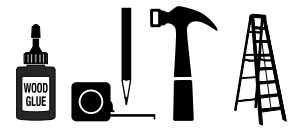
Your soffit trim is now installed

DOOR SUPPORT

PARTS REQUIRED:

x1 
5/8 x 3-7/8 x 96" (1,6 x 9,8 x 244 cm)

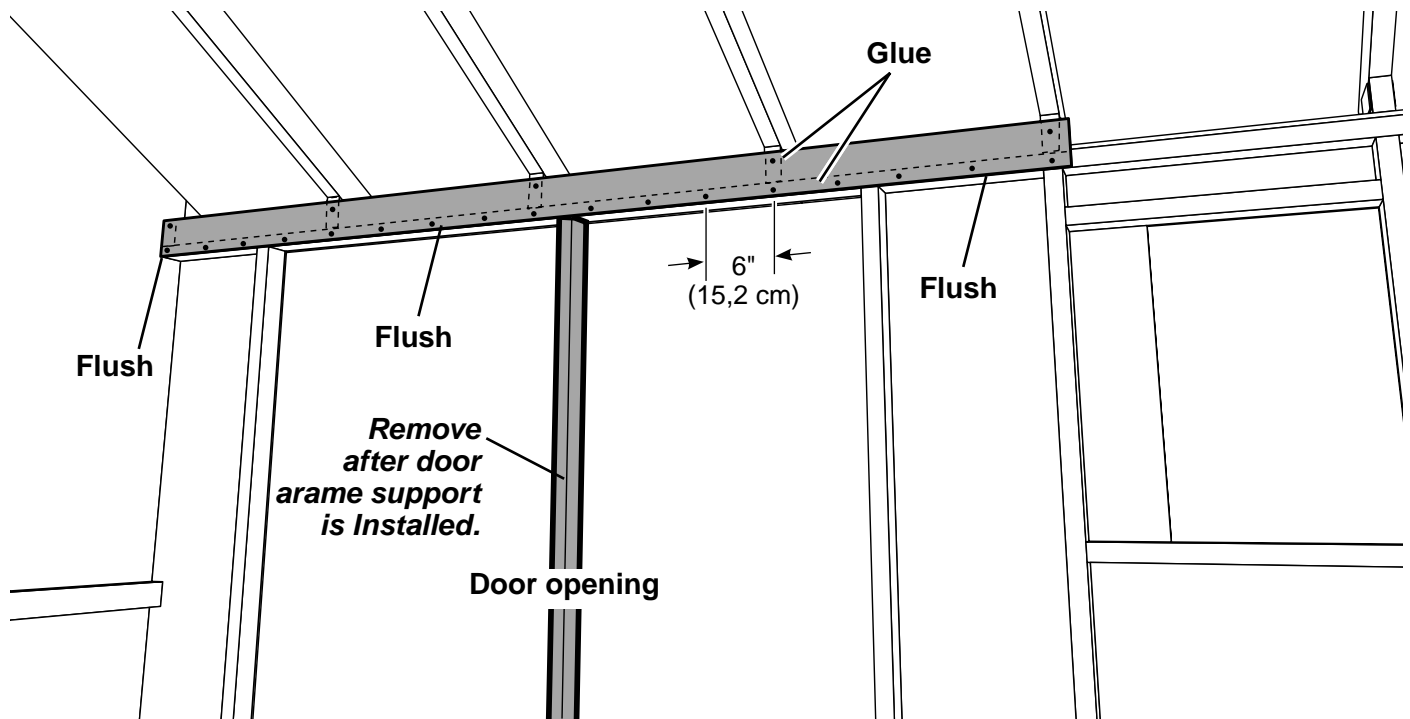
x22  2" (5 cm)



✓ **BEGIN**

- 1** Use exterior-rated wood glue behind support. Apply to top plate and end of rafter.
- 2** Position support flush with bottom edge of top plate and side wall panel and attach with 2" nails, as shown.

Remove temporary brace after support is installed.

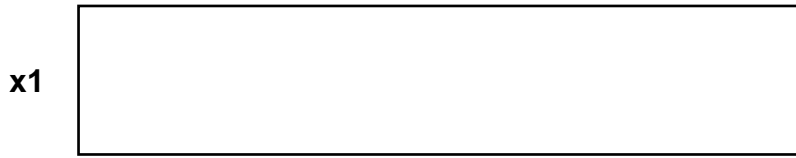


 **FINISH**

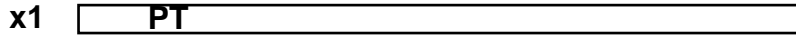
You have finished your door frame support.

WORKBENCH

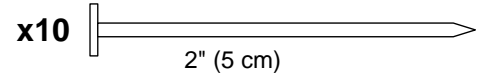
PARTS REQUIRED:



7/16 x 20 x 96" (1,1 x 51 x 244 cm)



2 x 3 x 96" (5 x 7,6 x 244 cm)



1 Position bench top to **PT** flush at ends and maintaining 1/4" (6 mm) overhang, as shown (**Fig. A**).

Secure with 2" nails.

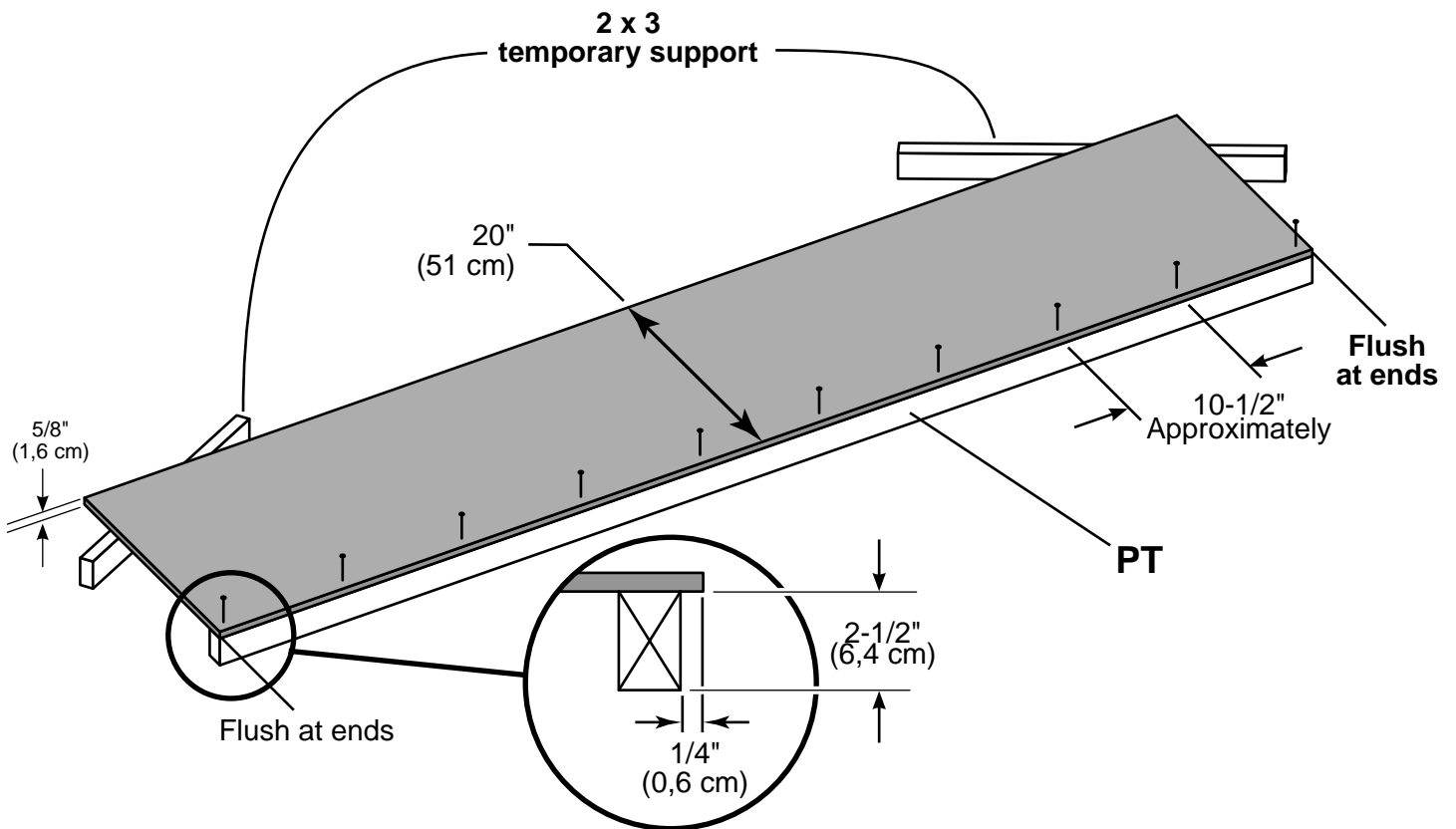


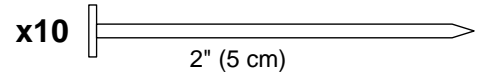
Fig. A



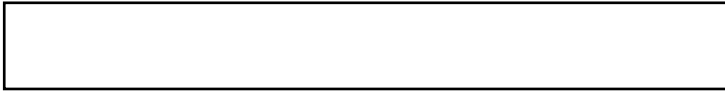
You have finished building your workbench top.

SHELVES

PARTS REQUIRED:



x2

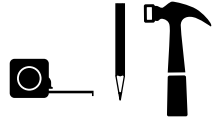


7/16 x 11-3/4 x 96" (1,1 x 30 x 244 cm)

x2



2 x 3 x 96" (5 x 7,6 x 244 cm)



✓ BEGIN

1

You will build (2) shelves. Position shelf to **PT** flush at ends and maintaining 1/4" (6 mm) overhang, as shown (**Fig. A**).

Secure with 2" nails.

Repeat steps to build second shelf.

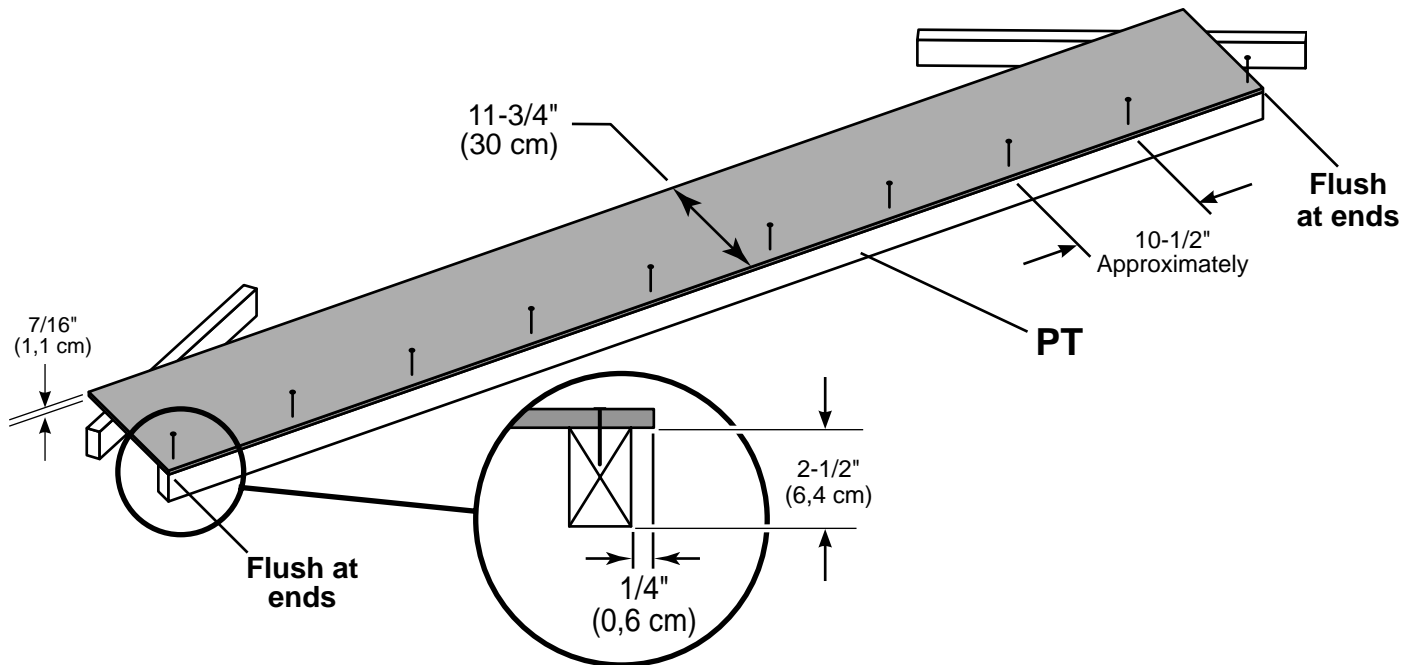


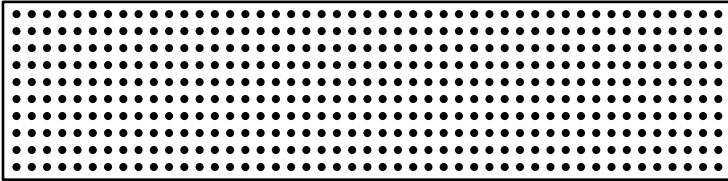
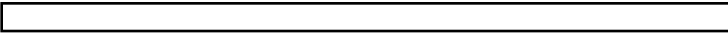
Fig. A

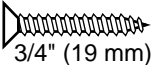


You have finished building your shelves.

PEGBOARD

PARTS REQUIRED:

- x1 
23-7/8 x 96" (61 x 244 cm) Peg Board
- x1 
1 x 3 x 96" (2,5 x 7,6 x 244 cm)

x13 
3/4" (19 mm)

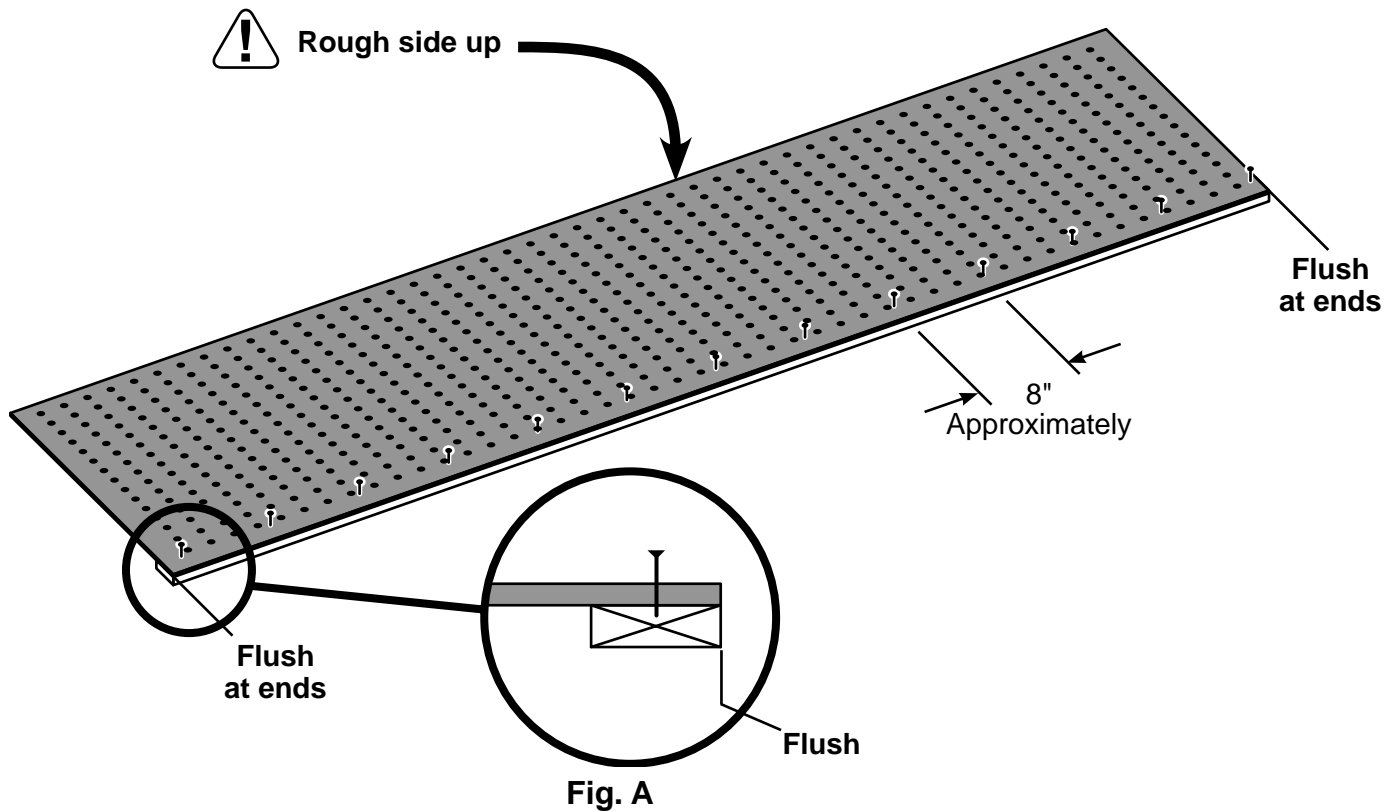


✓ BEGIN

1 Position pegboard to 1 x 3 flush at ends and edge, as shown (Fig. A).

Install pegboard with rough side up

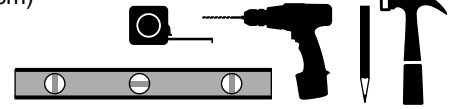
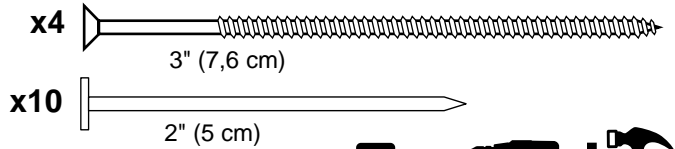
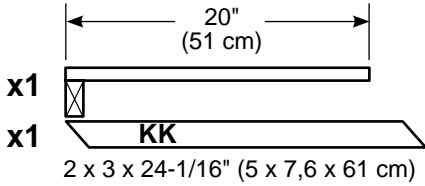
Secure with 3/4" screws spaced evenly.



You have finished building your pegboard.

WORKBENCH

PARTS REQUIRED:



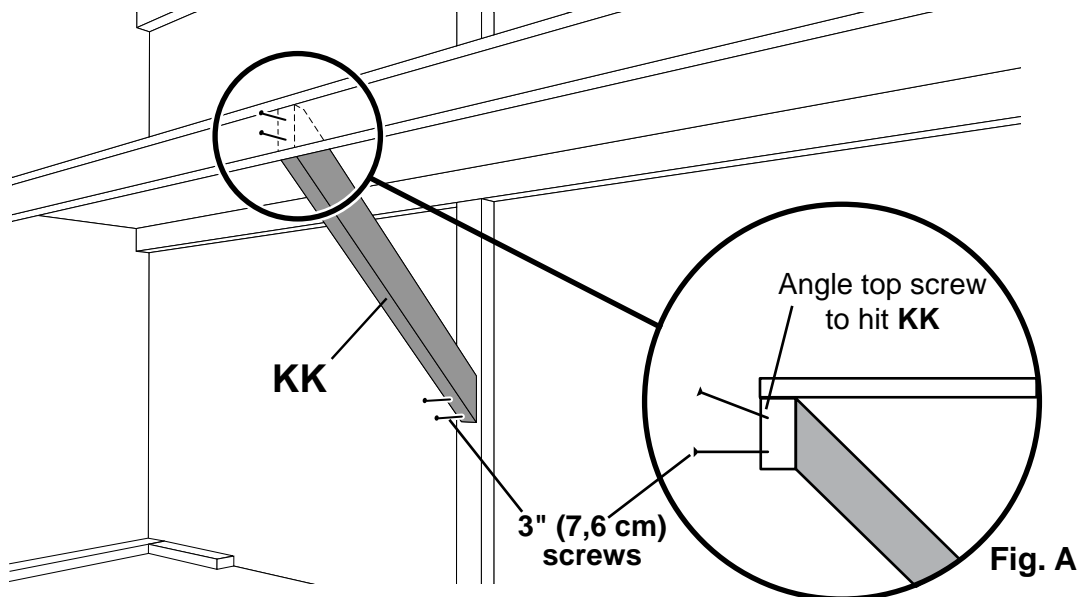
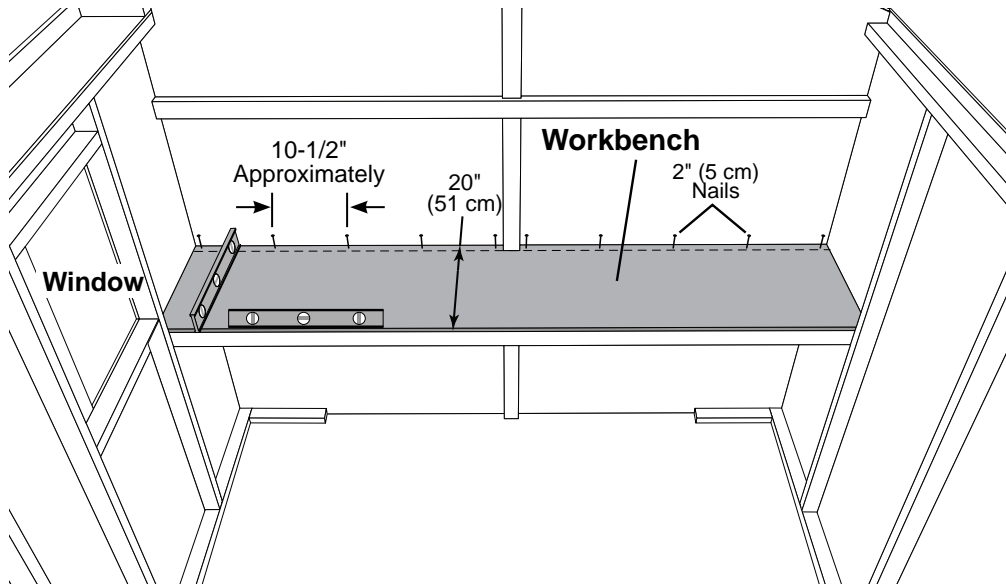
BEGIN

1 Place workbench into gap in side wall upright. Nail using 2" nails, as shown.

2 Level and attach **KK** to upright and workbench, using (4) 3" screws as shown (**Fig. A**).

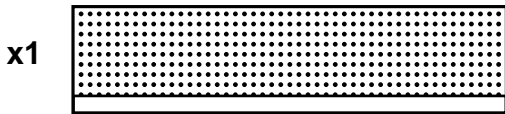
FINISH

You will secure your workbench ends later. Proceed to attach your pegboard.

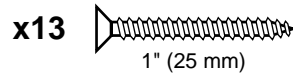
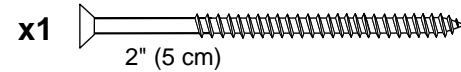
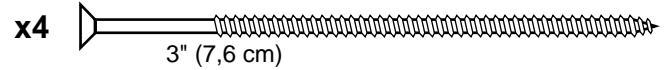


PEGBOARD

PARTS REQUIRED:



x2 **RK** 2 x 3 x 13" (5 x 7,6 x 33 cm)

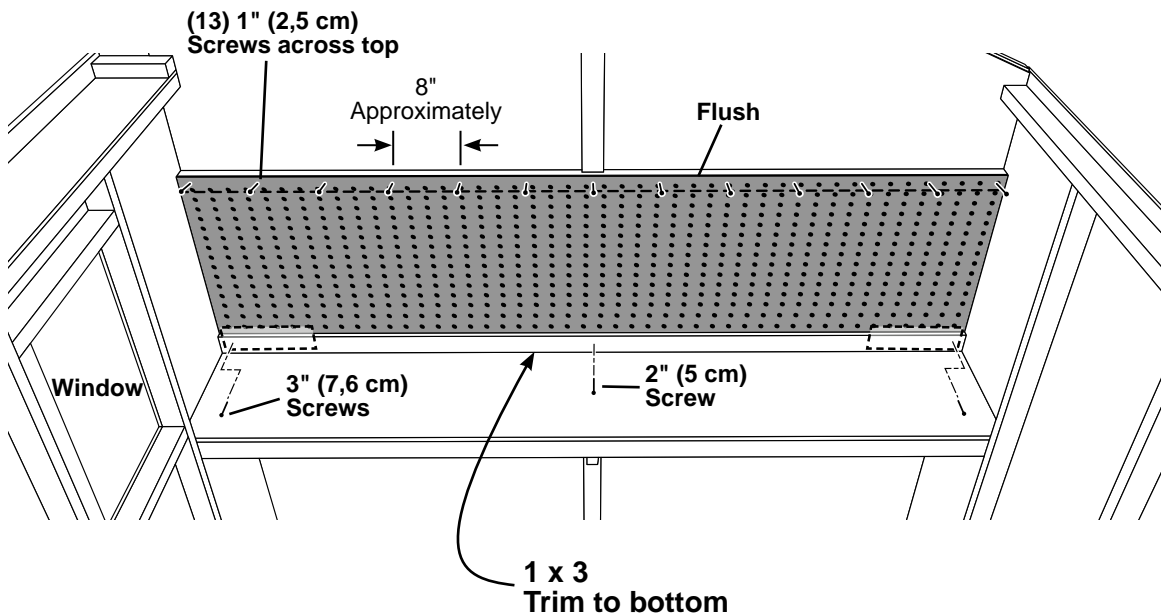
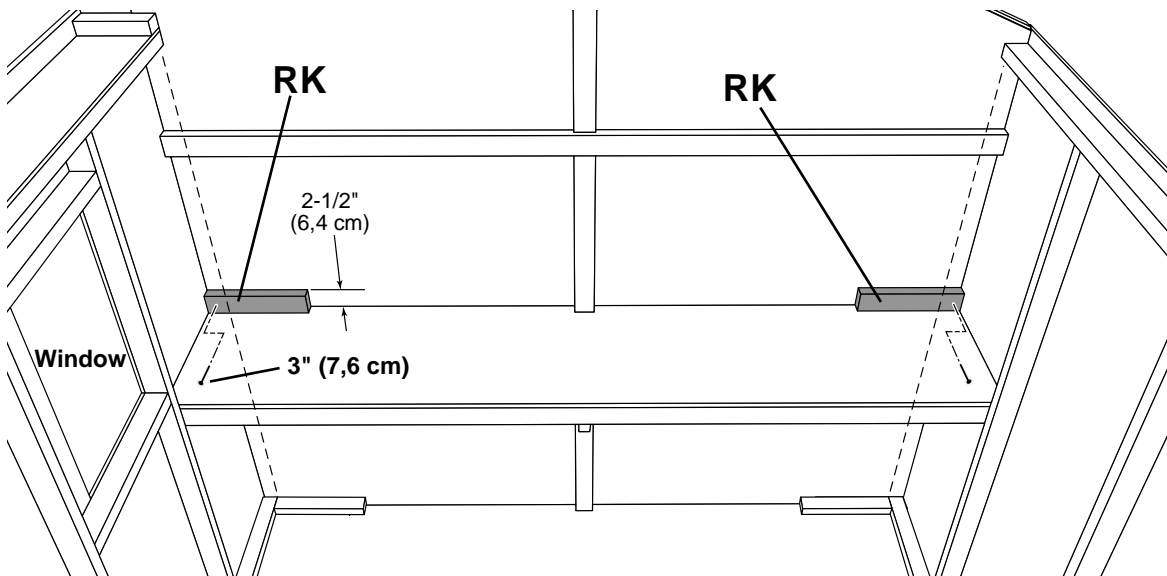


BEGIN

- 1 Install **RK** at back corner of workbench into outside trim. Secure with 3" screws, as shown.
- 2 Place pegboard onto workbench with 1 x 3 Trim to bottom, facing out.
- 3 Secure pegboard at top with (13) 1" screws as shown.
- 4 Anchor bottom of pegboard, using (1) 2" screw at center, and 3" screws at lower corners.

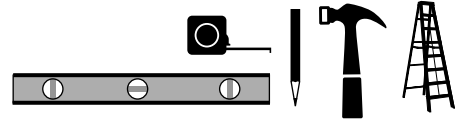
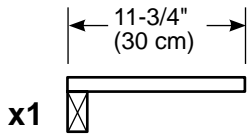
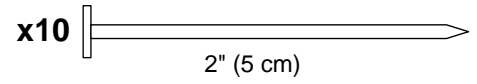
FINISH

You have finished your pegboard. Proceed to attach your shelf.



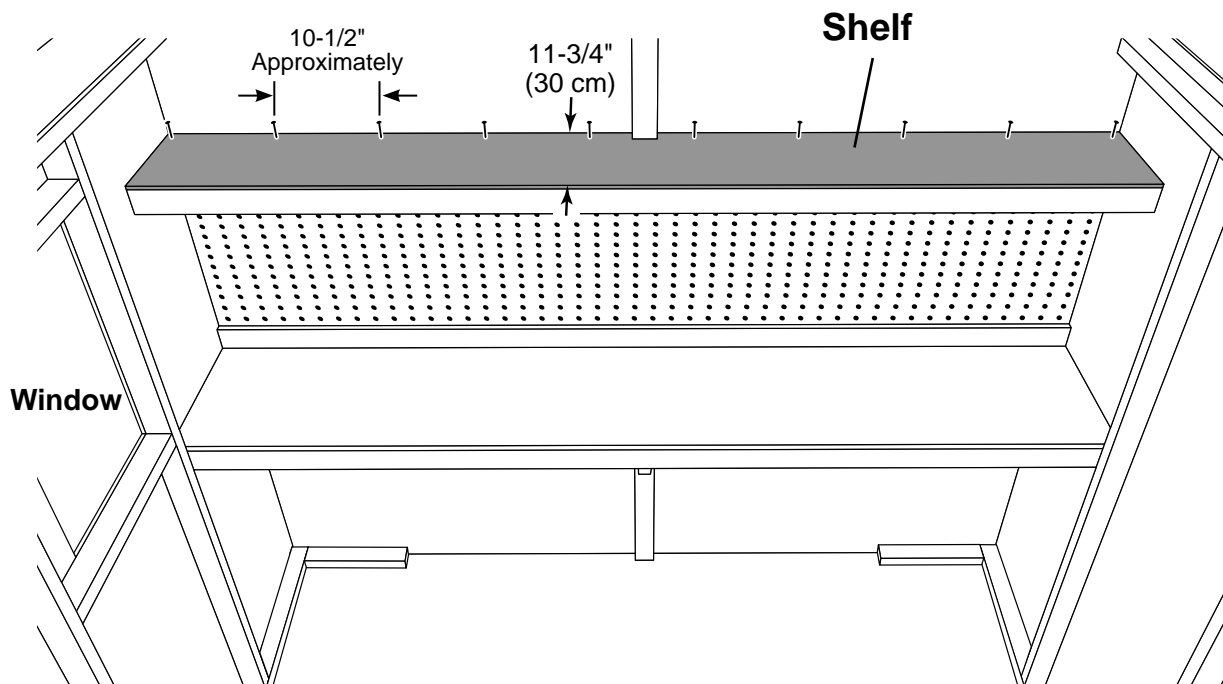
SHELVES

PARTS REQUIRED:



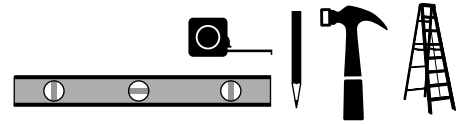
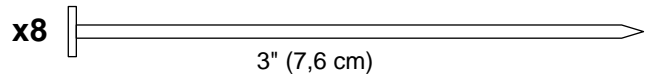
✓ **BEGIN**


- 1** Place shelf into gap in side wall upright. Secure with 2" nails, as shown.
- 2** You will screw the ends of workbench and shelf from outside of shed.




SHELVES

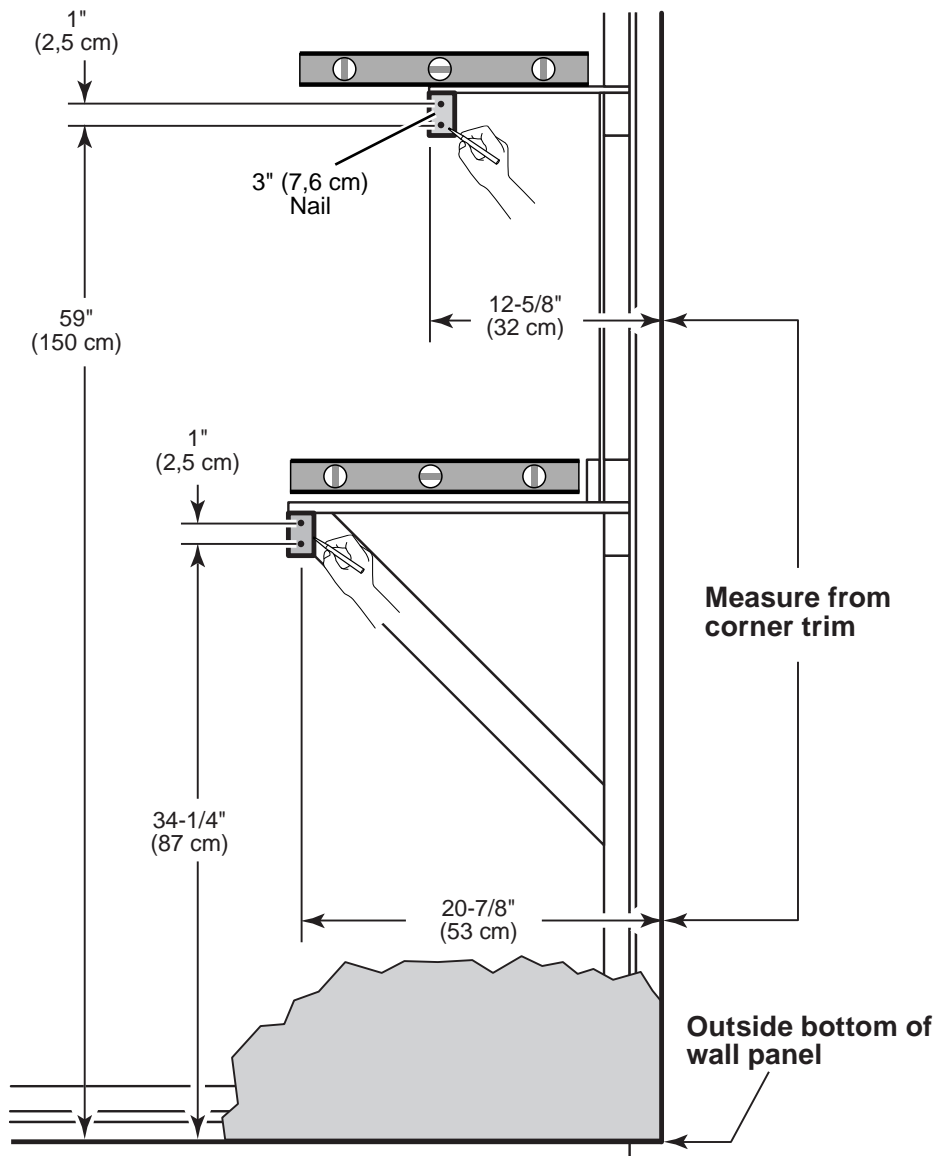
PARTS REQUIRED:



- 3** Measure and mark outside nail locations for workbench and shelf on back wall, as shown. Assistance may be required to hold shelf and workbench level. 

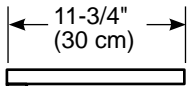
 **FINISH** Nail through marks on wall panel into ends of workbench and shelf supports.

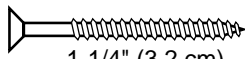
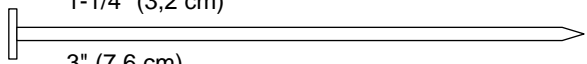

Repeat procedure at opposite ends of shelf and workbench.



SHELVES

PARTS REQUIRED:

- x1 
- x1 **RK** 2 x 3 x 13" (5 x 7,6 x 33 cm)

- x6  1-1/4" (3,2 cm)
- x4  3" (7,6 cm)
- x2  3" (7,6 cm)



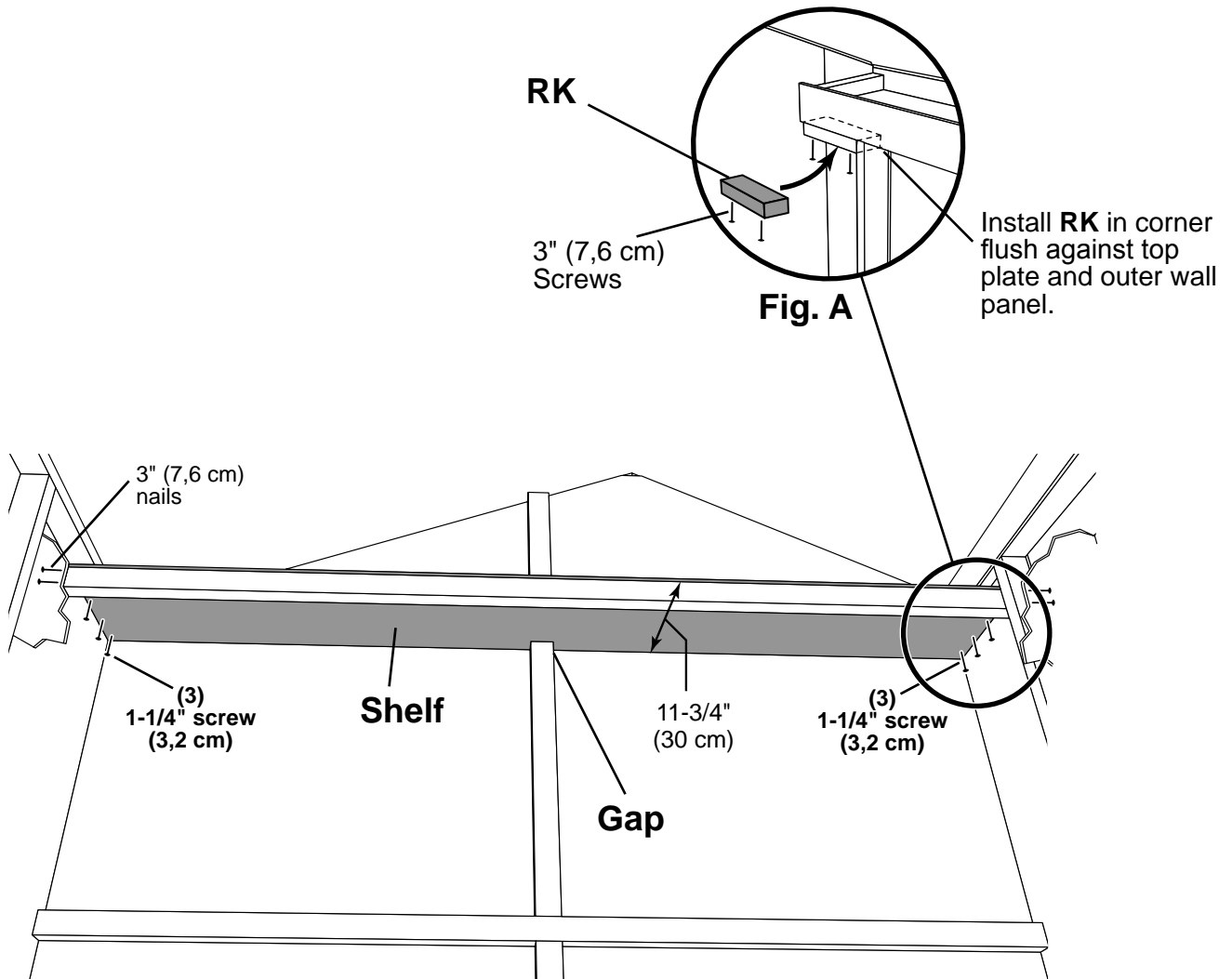
✓ BEGIN

- 1 Install **RK** flush against top plate and outer wall panel. Secure with 3" screws, as shown (**Fig. A**).
- 2 Place shelf into gap in side wall upright. Secure with 1-1/4" screws from underneath, as shown.
- 3 From outside shed, nail through the wall panel into end of shelf using (2) 3" nails.

 **You can easily locate nails looking over wall.**



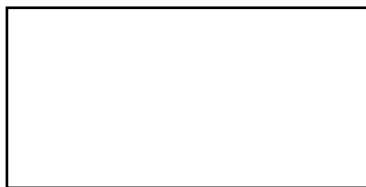
You have finished installing your shelf. Proceed to building your roof.



ROOF PANELS

PARTS REQUIRED:

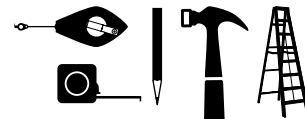
x1



7/16 x 48 x 96"
(1,1 x 122 x 244 cm)

3/4" GAUGE
BLOCK

x4 2" (5 cm)



Roof panels may cause serious injury until securely fastened.

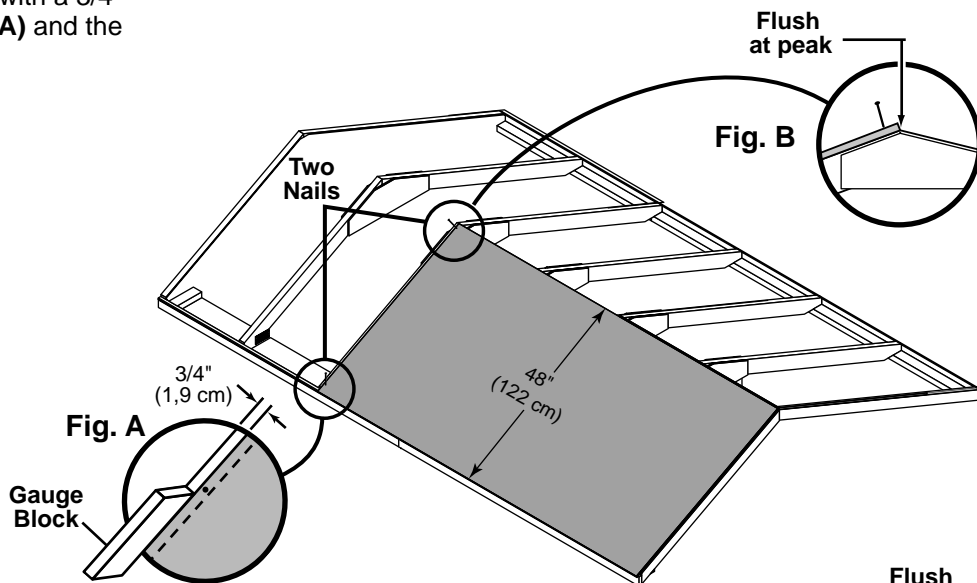


✓ BEGIN

1 You must square the roof by attaching (1) panel fist. You will use the panels' long edge as a lever to bring your roof into square. Commonly known as "racking".

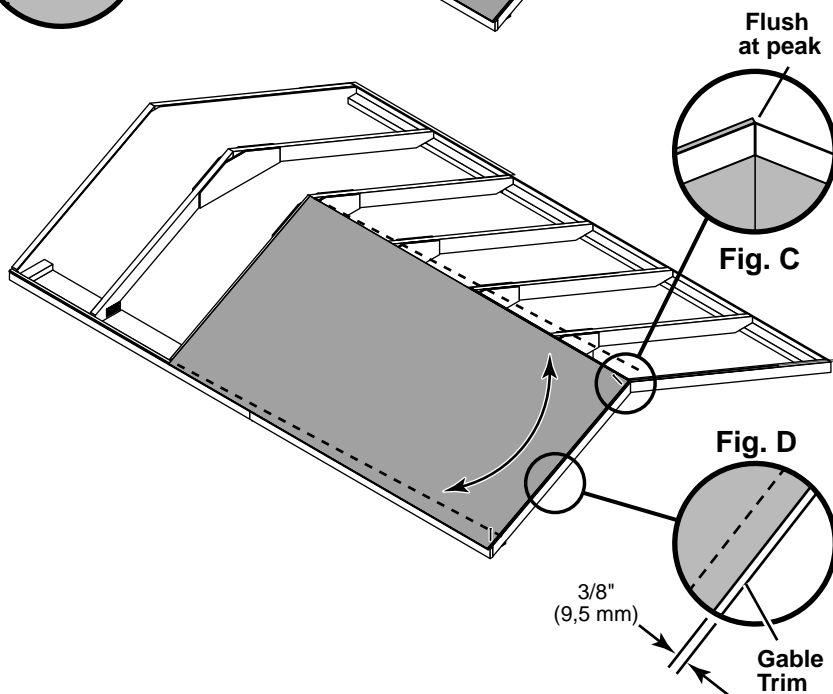
2 Attach the **48 x 96"** panel with the rough side up (painted-grid lines side) with a 3/4" measurement on the rafter (**Fig A**) and the panel flush at the peak (**Fig. B**).

Secure panel with (2) 2" nails in the corners.



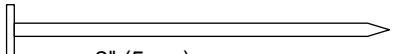
3 Move to the opposite end. Using the long edge of the panel as a lever move the panel side-to-side until the top corner is flush to the peak (**Fig. C**) and there is 3/8" measurement to the gable trim (**Fig. D**).

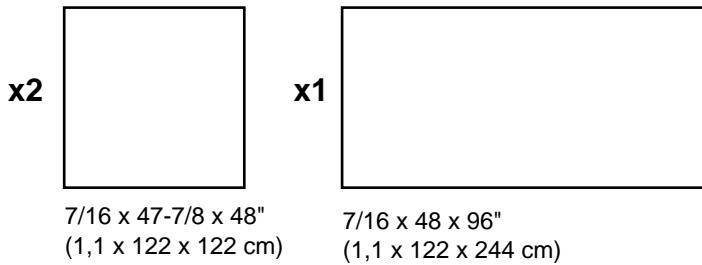
You may need to move your sidewall to get the 3/8" measurement. Secure panel with (2) 2" nails in the corners.



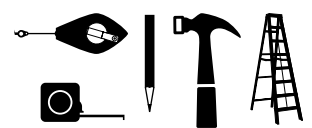
ROOF PANELS


PARTS REQUIRED:

x108  2" (5 cm)




3/4" GAUGE
BLOCK

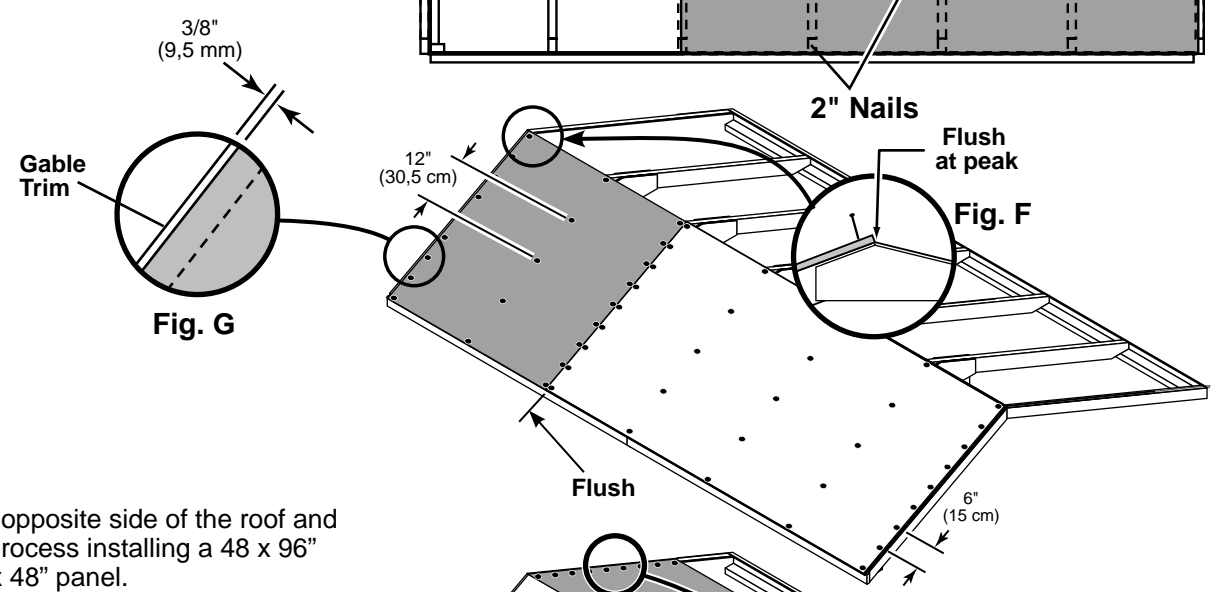
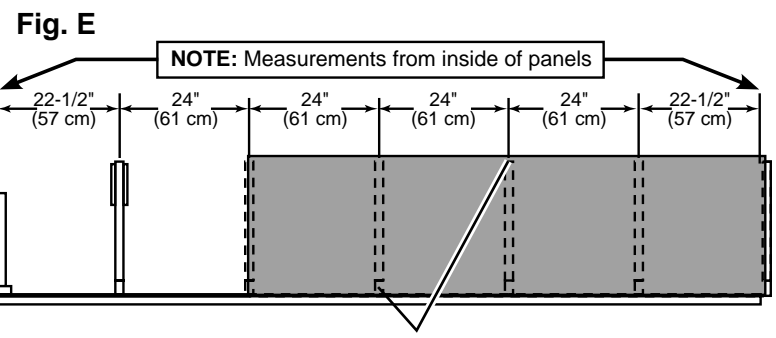


4 Keep spacing between the center of the rafters at the lower edge of the panel and secure with (1) 2" nail into each rafter (**Fig. E**). 

Move to the top of the panel and keep spacing between the center of the rafters. Secure with (1) 2" nail into each rafter (**Fig. E**).

Nail the roof panel using 2" nails 6" spaced apart on edges and 12" apart inside panel.

Attach 47-7/8 x 48" roof panel flush to first panel, flush at peak and with the 3/8" measurement on trim (**Fig. F, G**).

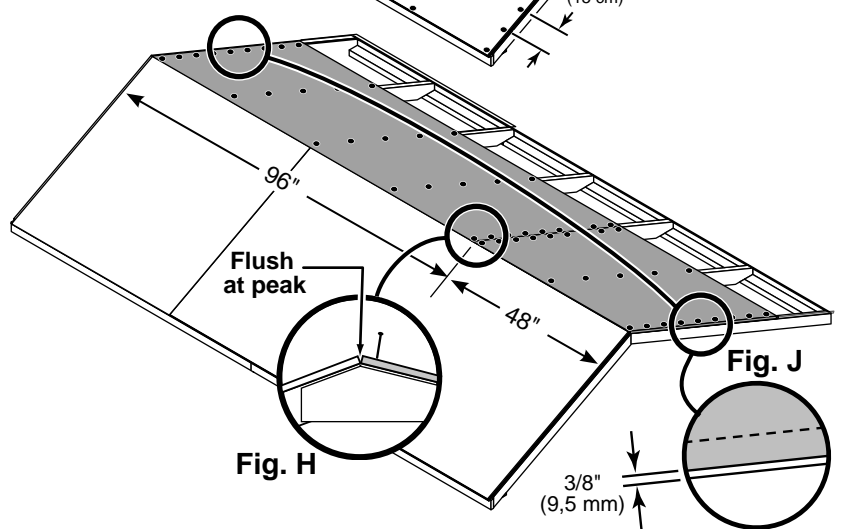


5 Move to the opposite side of the roof and repeat this process installing a 48 x 96" and 47-7/8 x 48" panel.

Note the panels edges are offset from the first panels installed.

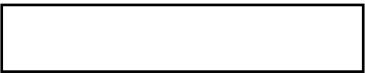
Make sure panels are flush at the peak (**Fig H**) and there is a 3/8" measurement at the gable trims (**Fig. J**).

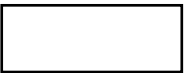
Nail the roof panel using 2" nails 6" spaced apart on edges and 12" apart inside panel.



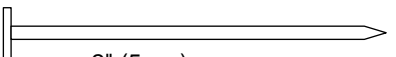
ROOF PANELS

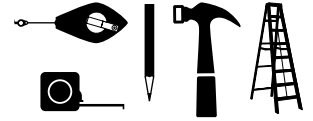
PARTS REQUIRED:

x1 
7/16 x 18 x 96" (1,1 x 46 x 244 cm)

x1 
7/16 x 18 x 48" (1,1 x 46 x 122 cm)


3/4" GAUGE
BLOCK

x28 
2" (5 cm)



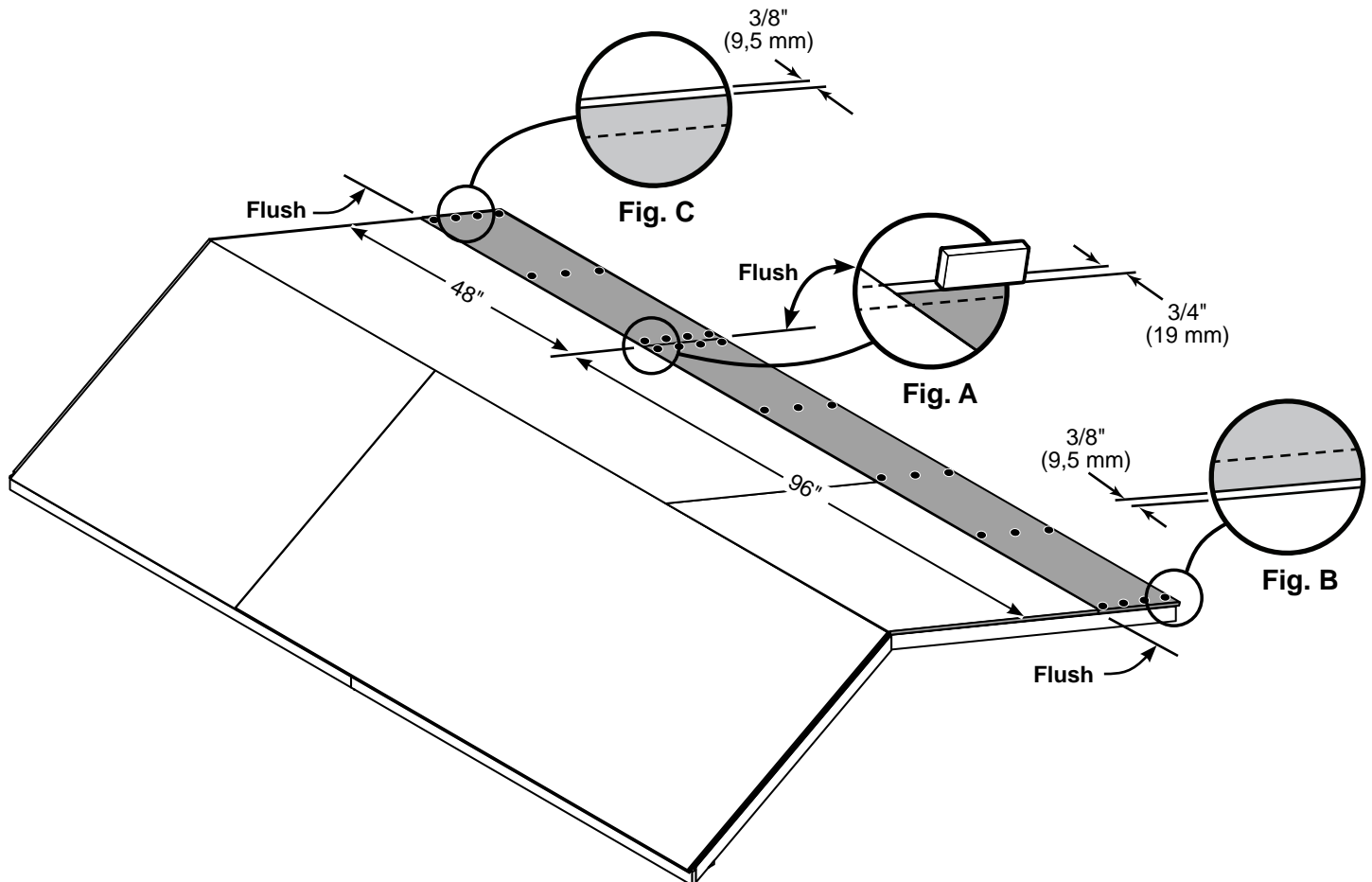
- 6** Attach **18 x 96"** panel as shown flush to panels and 3/4" on rafter (**Fig. A**) and with 3/8" at the gable trim (**Fig. B**).

Attach **18 x 48"** roof panel flush to panels and with the 3/8" measurement on trim (**Fig. B**) and with 3/8" at the gable trim (**Fig. C**).

Nail the roof panels using 2" nails 6" spaced apart on edges and 12" apart inside panel.

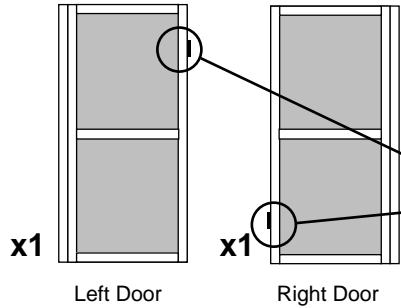


You have finished installing your roof panels.



DOORS

PARTS REQUIRED:



- x1 **OO**
69" Door Stiffener (175,3 cm)
- x1 **OT**
2 x 3 x 68" (5 x 7,6 x 173 cm)

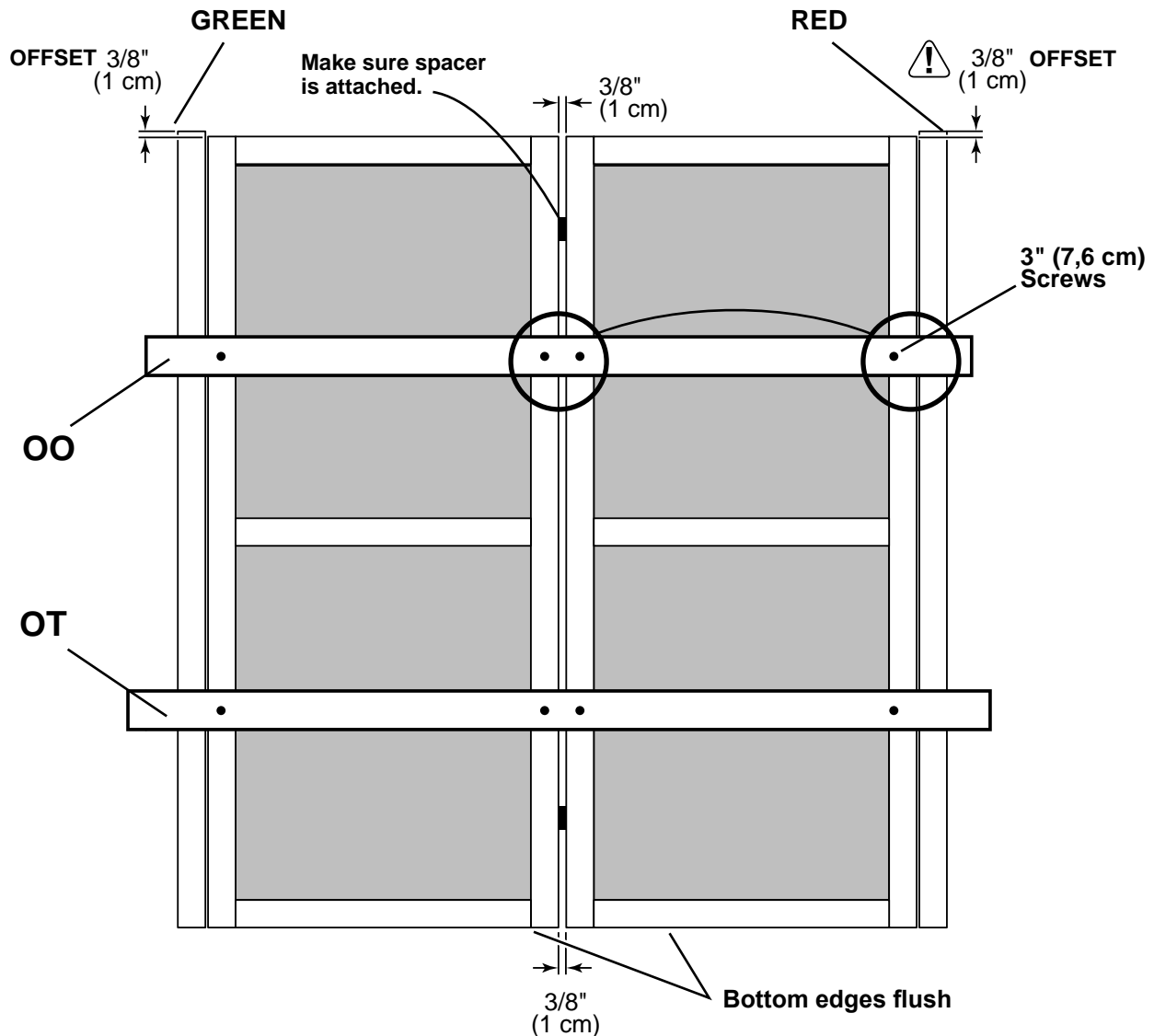


HINT:
Look for 3/8" SPACER attached to doors.



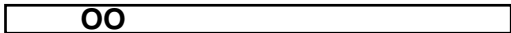
✓ **BEGIN**


- 1 Orient parts as shown on flat surface. **!** 3/8" offset is to top. Look for red (right) and green (left) on hinge board.
- 2 Secure temporary supports **OO** and **OT** with 3" screws, as shows.

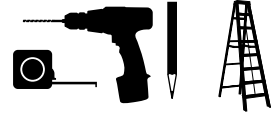


DOORS

PARTS REQUIRED:

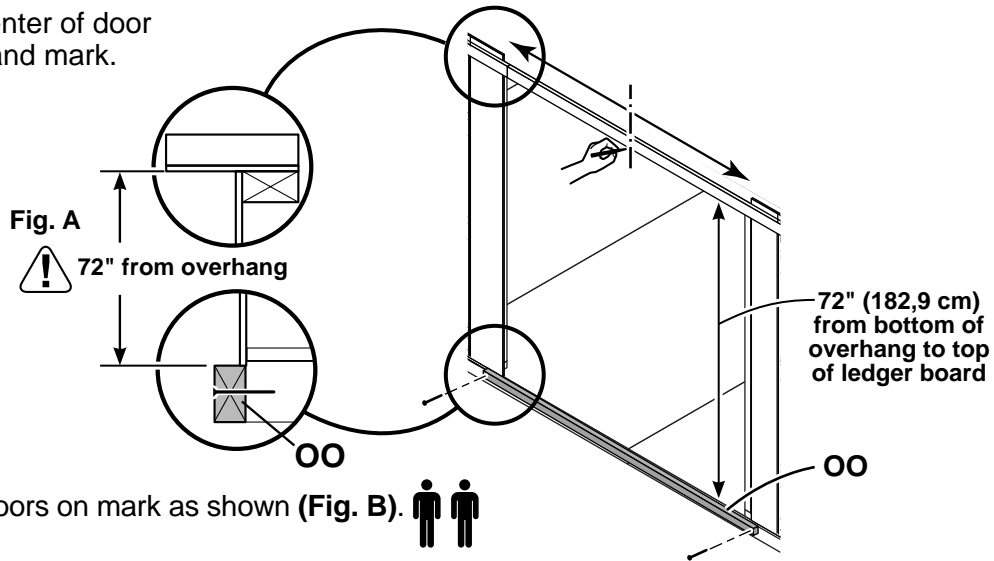
x1  **OO**
69" Door Stiffener (175,3 cm)


x12  **3" (7,6 cm)**



- 3 Attach temporary support **OO** with (3) 3" screws. Measure 72" (182,9 cm) down from underside of overhang (**Fig. A**).

Locate center of door opening and mark.



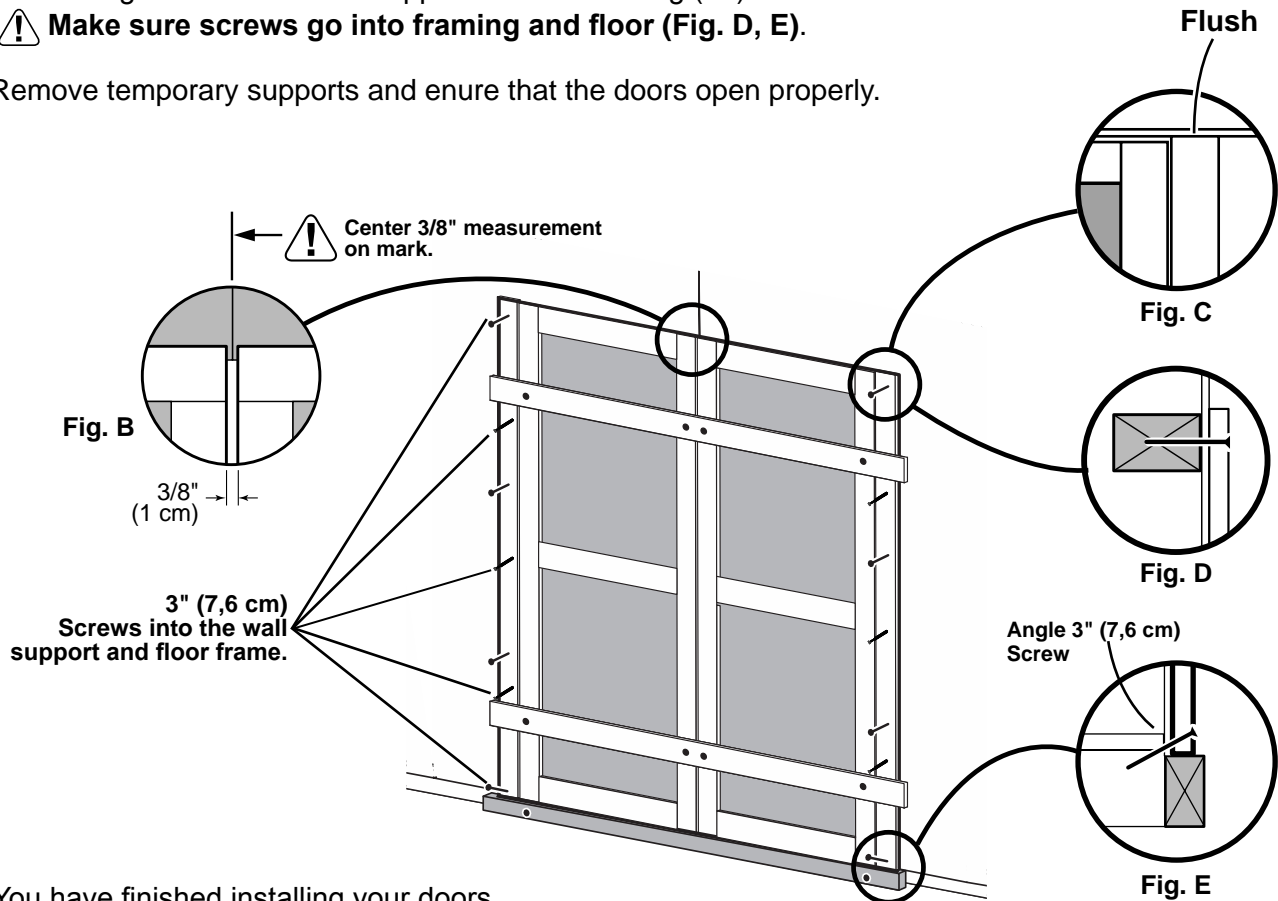
- 4 Center doors on mark as shown (**Fig. B**). 

 Check hinge board is flush under overhang (**Fig. C**).

- 5 Screw hinge boards into wall supports and floor using (10) 3" screws as shown.

 Make sure screws go into framing and floor (**Fig. D, E**).

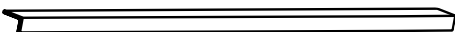
Remove temporary supports and ensure that the doors open properly.





You have finished installing your doors.

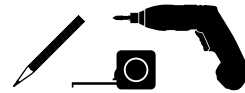
DOORS

PARTS REQUIRED:

x1  64" Metal Threshold

x11  Bagged separately/
special coating

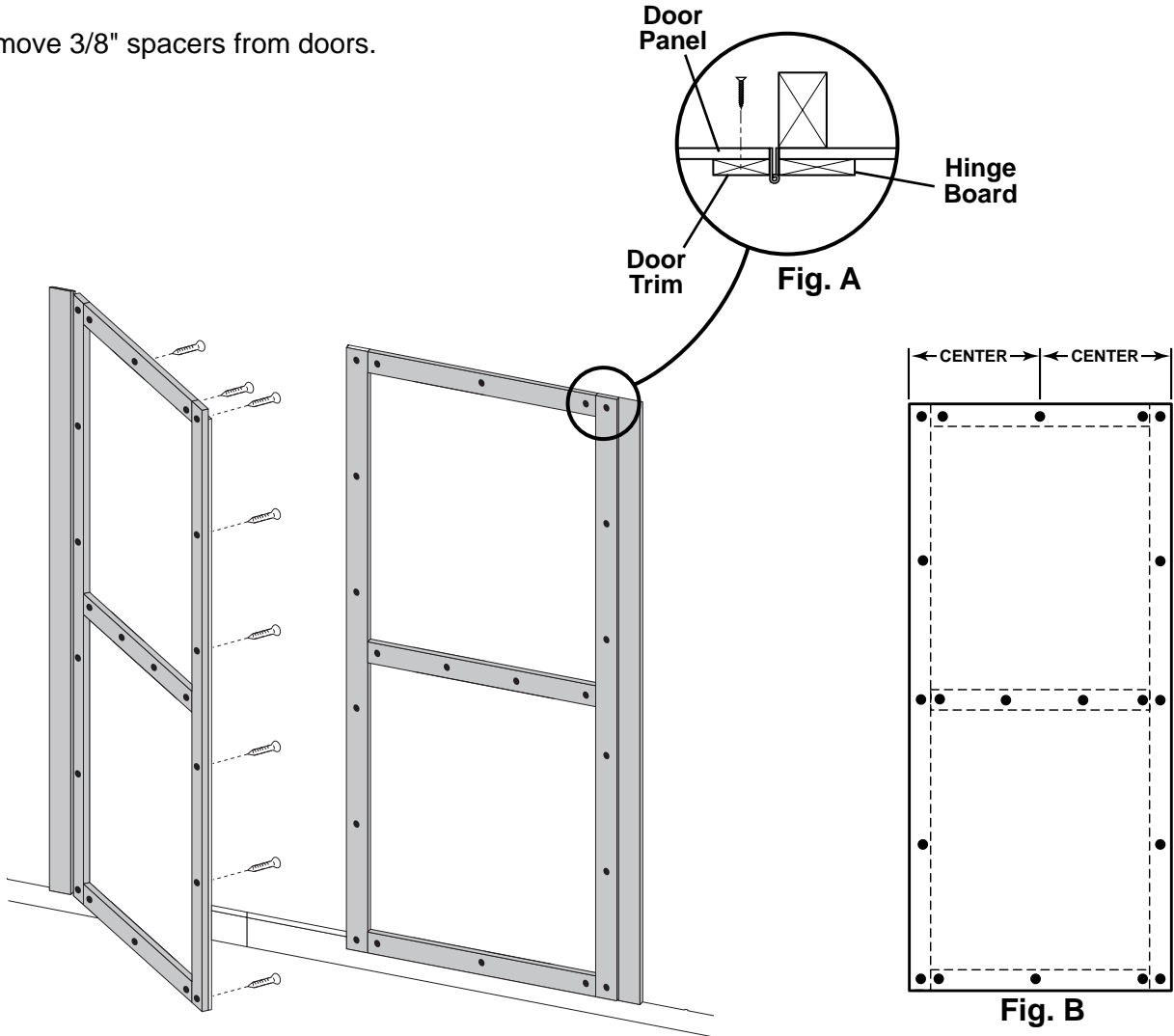
x46  3/4" (1,9 cm)



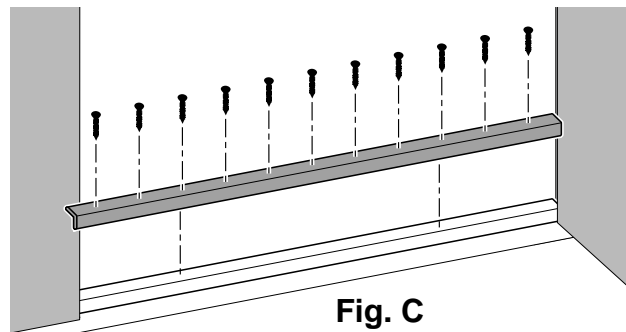
✓ **BEGIN**

- 1 Reinforce the door trim with 3/4" screws through door panel into trim (**Fig. A**). Locate screws as shown (**Fig. B**). Use (2) screws at seams.

Remove 3/8" spacers from doors.



- 2 Center metal threshold between doors. Secure to floor with (11) 3/4" screws (**Fig. C**).




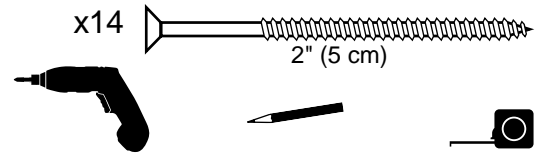
FINISH

Your door trim and threshold are now installed.

DOORS

PARTS REQUIRED:

x1 
69" Door Stiffener (175,3 cm)



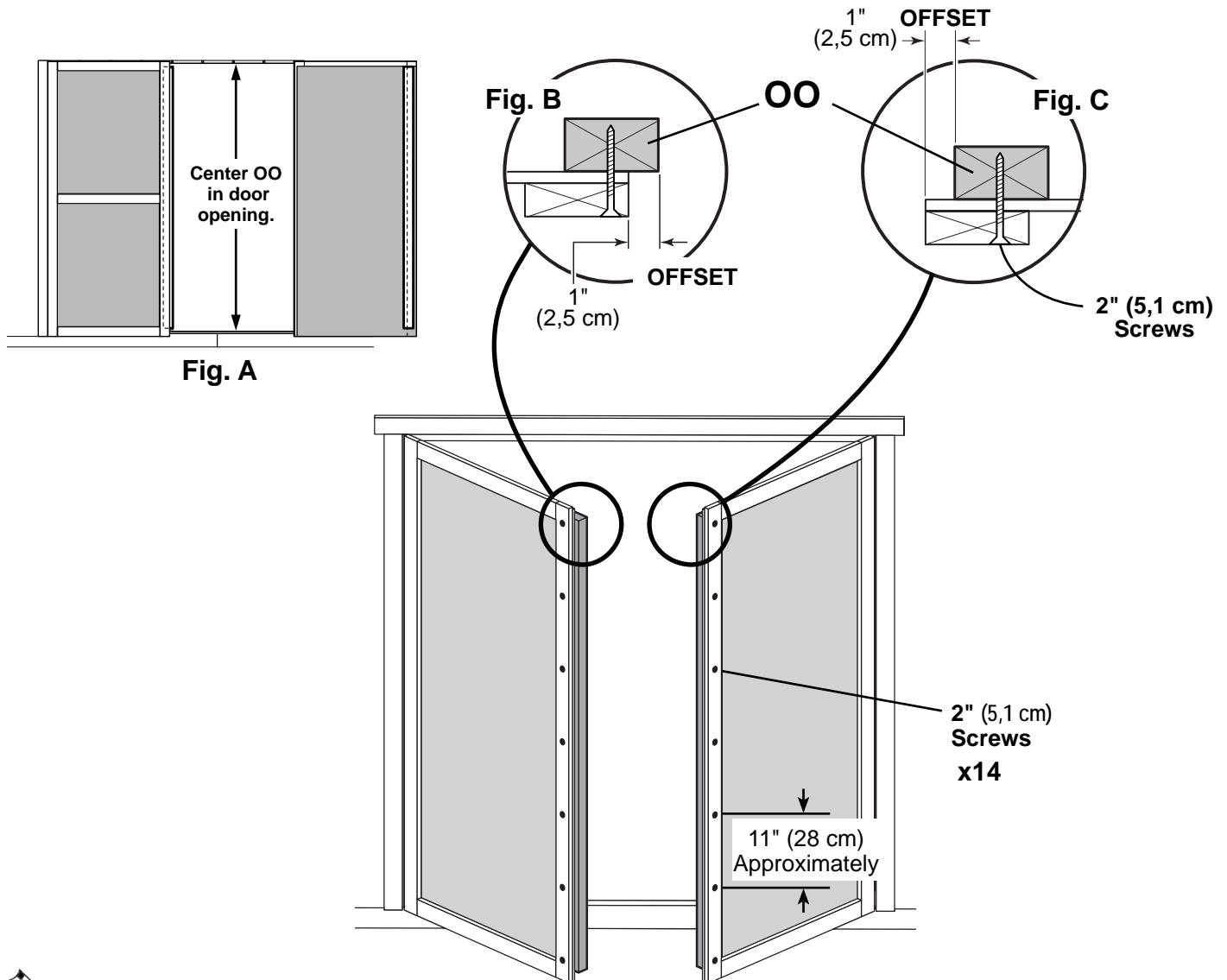
✓ BEGIN

- 1 With left door closed, center a weatherstrip **OO** vertically on the left door in the door opening (**Fig. A**). **OO** will offset the left door 1" *OUT* past the door trim 1" (**Fig. B**).

Secure **OO** with (7) 3" screws through outside trim into **OO** (**Fig. B**).

- 2 On right door, center **OO** vertically in door opening (**Fig. A**). **OO** will offset the right door 1" *IN* from the door trim (**Fig. C**).

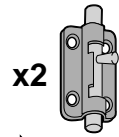
Secure **OO** with (7) 3" screws through outside trim into **OO** (**Fig. C**).



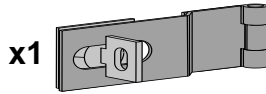
Your door weatherstrips are now installed.

DOOR HARDWARE

PARTS REQUIRED:



3/4" (1,9 cm) x8



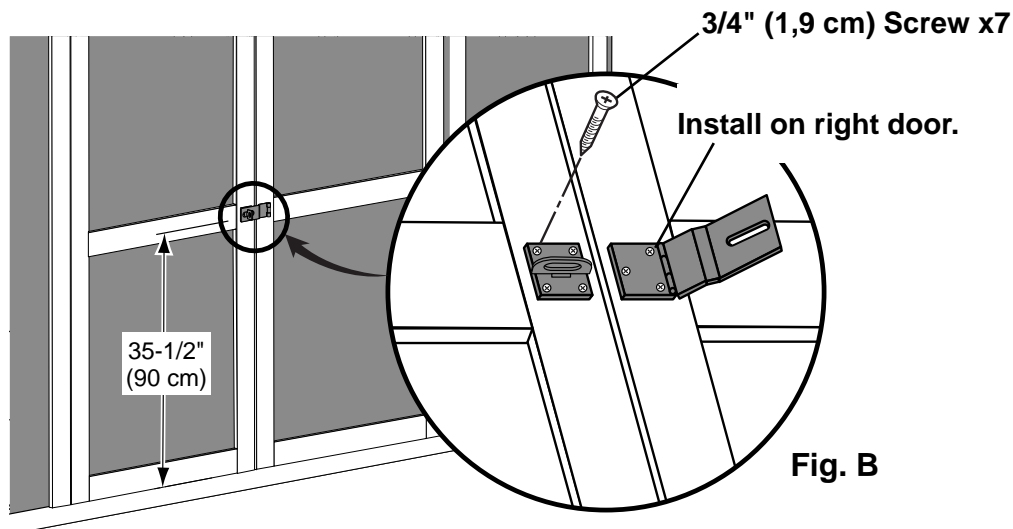
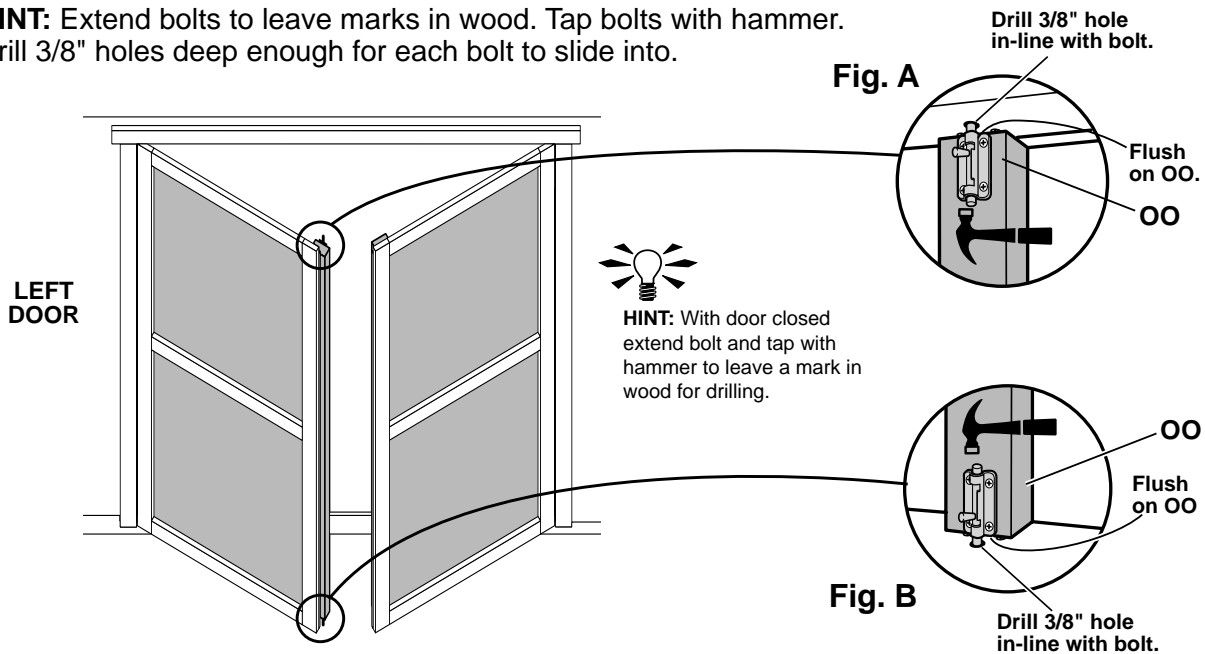
3/4" (1,9 cm) x7



BEGIN

- 1** Mount (1) barrel bolt flush at top of **OO** on left door using 3/4" screws as shown (Fig A).
- 2** Mount the second barrel bolt flush at bottom of **OO** on left door using 3/4" screws as shown (Fig B).
- 3** With door closed mark hole locations for bolts to extend into.

HINT: Extend bolts to leave marks in wood. Tap bolts with hammer. Drill 3/8" holes deep enough for each bolt to slide into.



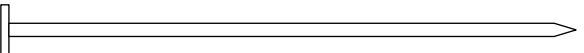
FINISH

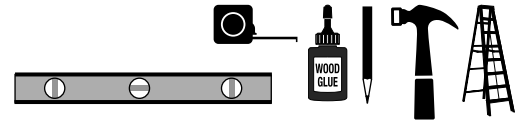
Secure hasp and latch as shown using 3/4" screws. You have finished mounting your door hardware.

COLLAR TIE

PARTS REQUIRED:

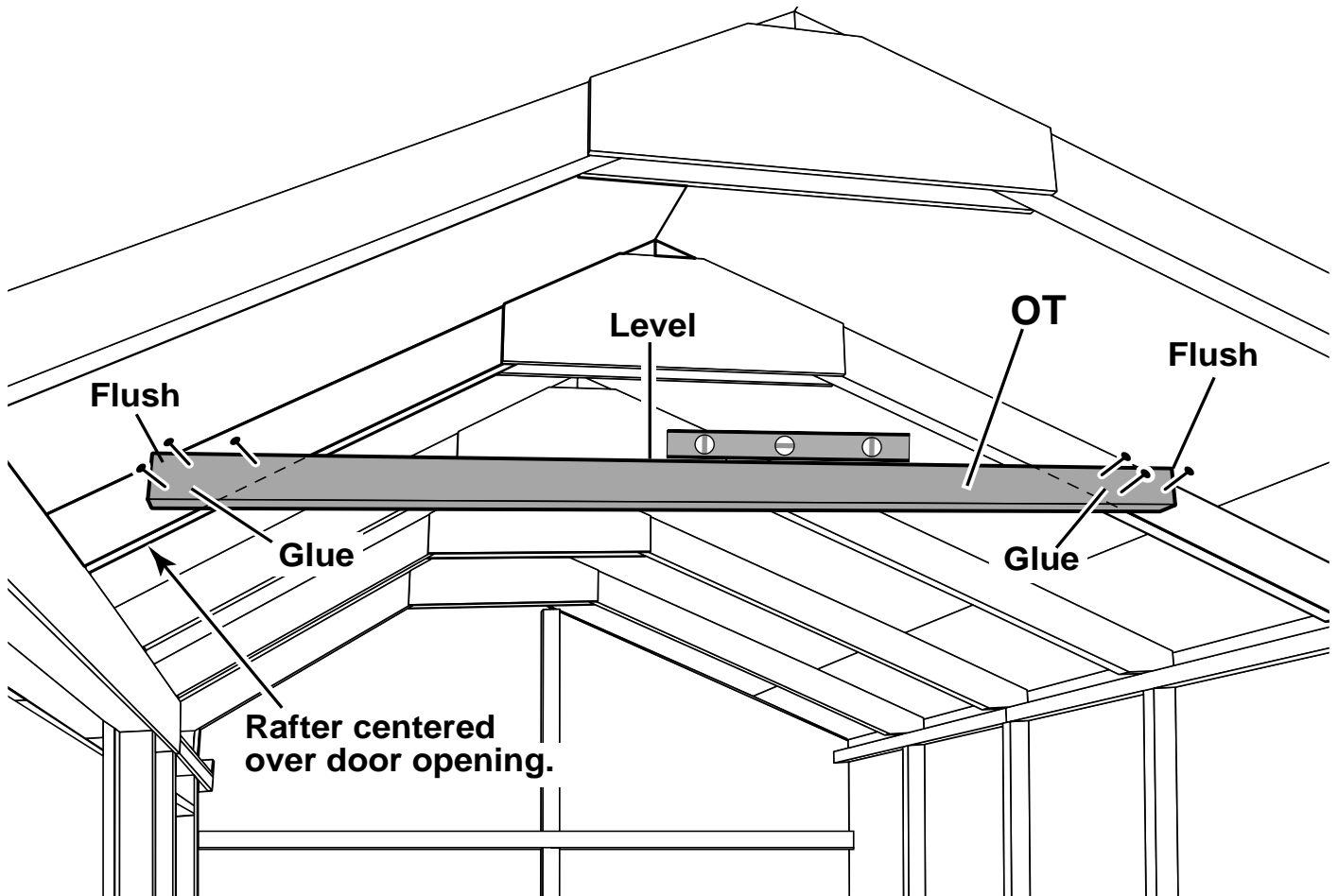
x1 **OT**
2 x 3 x 68" (5 x 7,6 x 173 cm)

x6 
3" (7,6 cm)



✓ **BEGIN**

- 1 Position and level **OT** on rafter that is centered over door opening.
- 2 Glue **OT** and attach with 3" (7,6 cm) nails as shown.



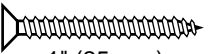
 **FINISH**

You have finished installing your collar tie. Proceed to assemble and attach your shutters.

SHUTTERS

PARTS REQUIRED:

- x6 **CYZ** 5/8 x 3 x 24-3/4" (1,6 x 7,6 x 62,9 cm)
- x4 **KV** 5/8 x 3 x 8" (1,6 x 7,6 x 20 cm)

x12  1" (25 mm)

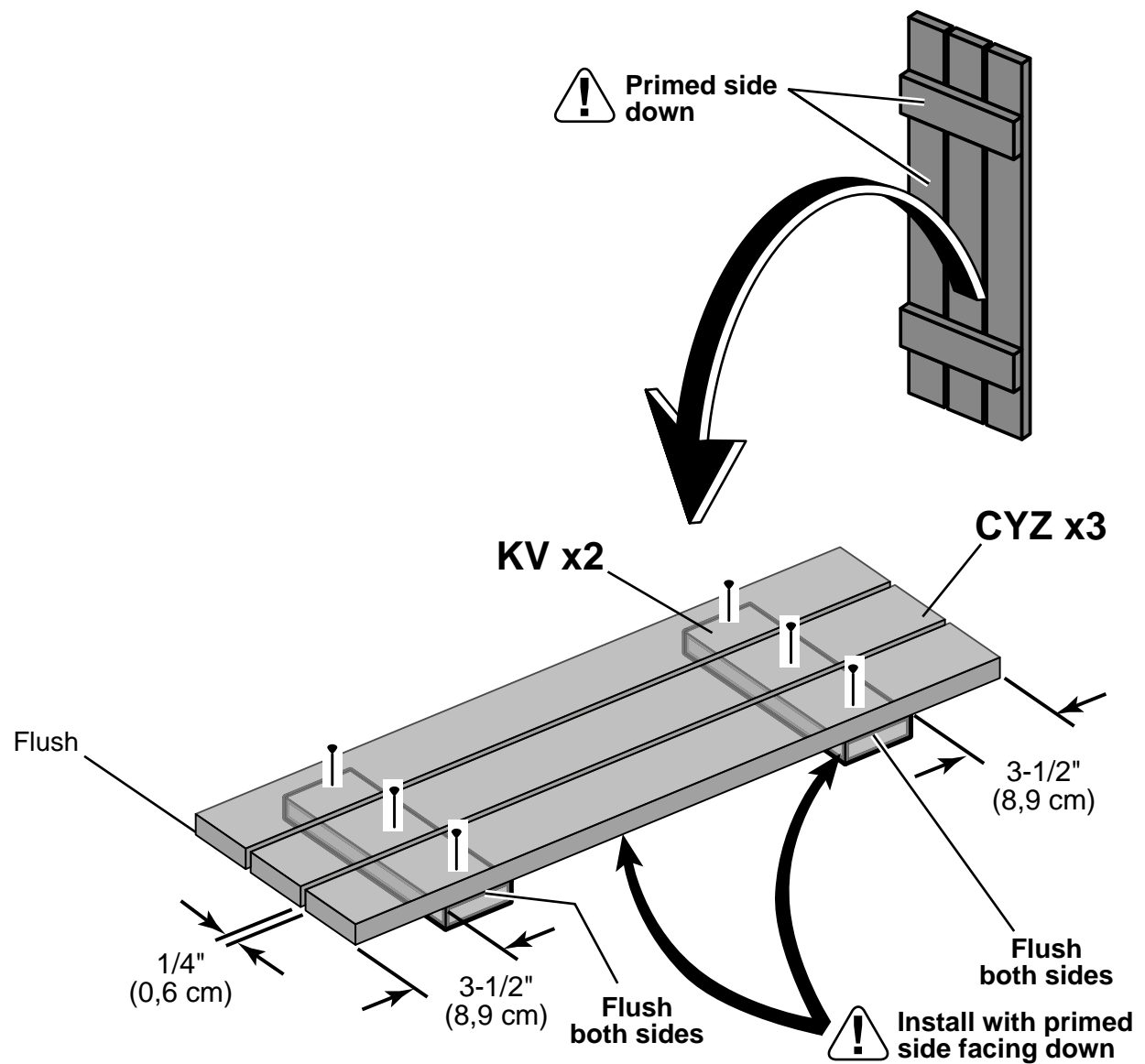


BEGIN

- 1** Position parts primed side-down on floor, as shown. You will build (2) shutters the same.
- 2** Secure with 1" (25 mm) screws as shown.
- 3** Repeat steps to build your second shutter.

FINISH

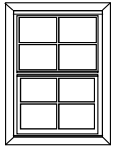
You have finished building your window shutters. Proceed to install your window.



WINDOW

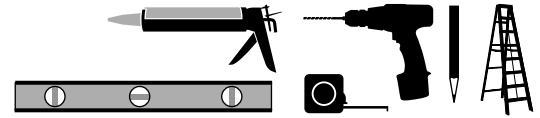
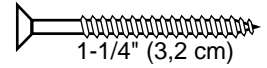
PARTS REQUIRED:

x1



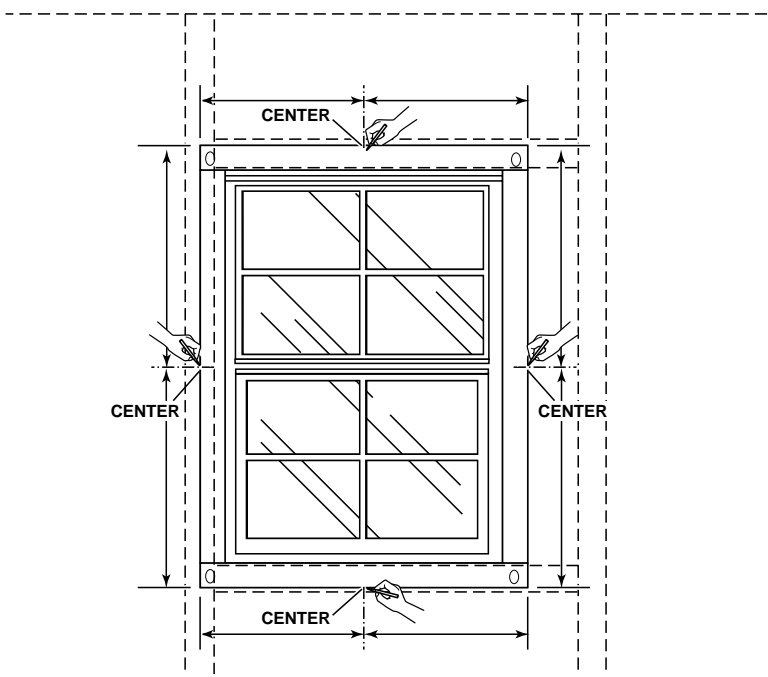
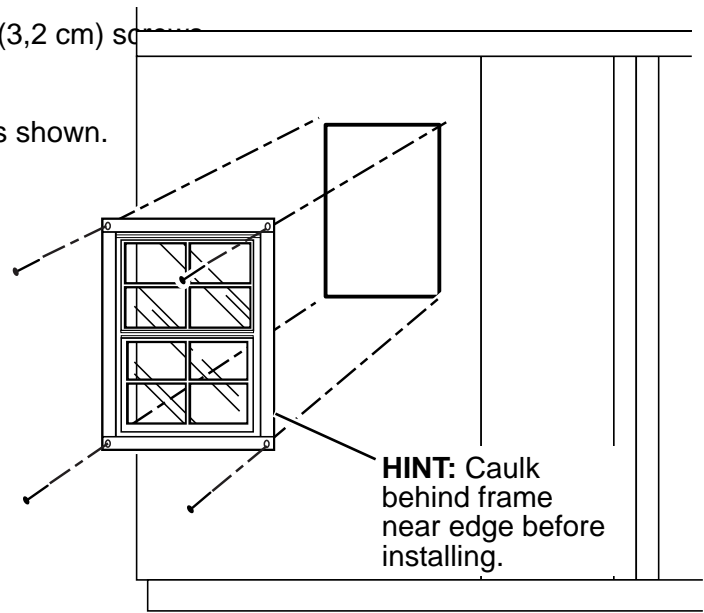
Window
23-3/4" x 16-1/2"
(63 x 42 cm)

x4



✓ BEGIN

- 1 Seal window with high-quality exterior-grade caulk.
- 2 Attach window using (4) 1-1/4" (3,2 cm) screws as shown.
- 3 Mark center of window frame as shown.




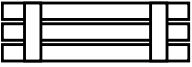
FINISH

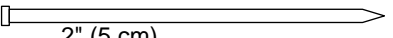
You have finished installing your window.

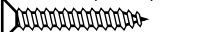
SHUTTERS / WINDOW TRIM

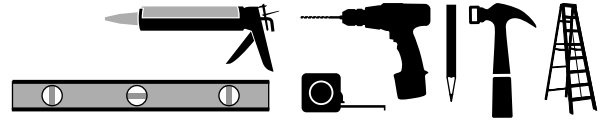
PARTS REQUIRED:

x2  **KX**
5/8 x 3 x 21-3/4" (1,6 x 7,6 x 55 cm)

x2 

x20  2" (5 cm)

x6  3/4" (19 mm)



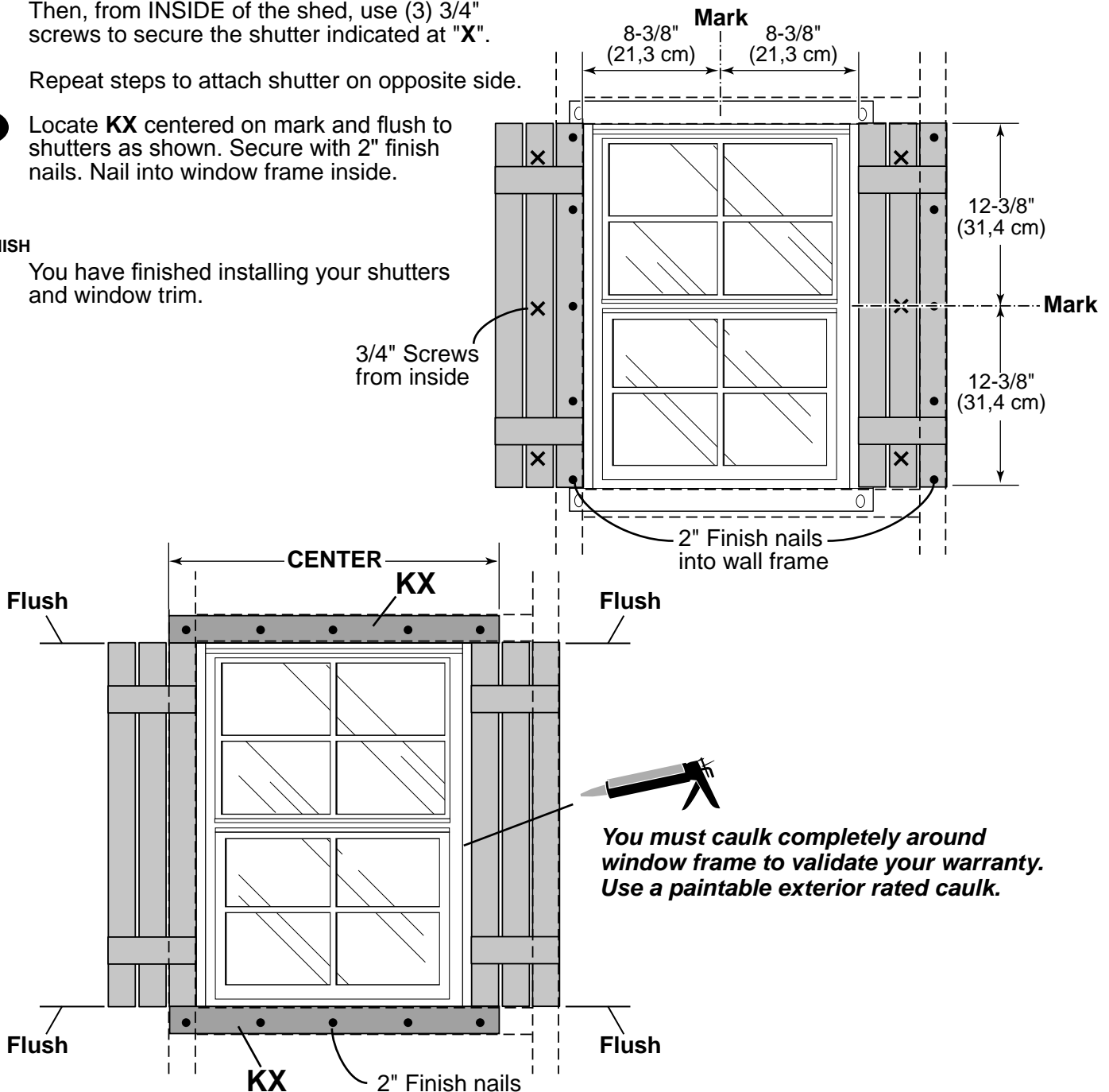
BEGIN

- 1 Locate (1) shutter centered on marks as shown.
- 2 First, attach shutter using a 2" finish nail at "dot". Nail into wall frame inside.
Then, from INSIDE of the shed, use (3) 3/4" screws to secure the shutter indicated at "X".
Repeat steps to attach shutter on opposite side.

- 3 Locate **KX** centered on mark and flush to shutters as shown. Secure with 2" finish nails. Nail into window frame inside.


FINISH

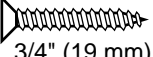
You have finished installing your shutters and window trim.



DOOR TRIM

PARTS REQUIRED:

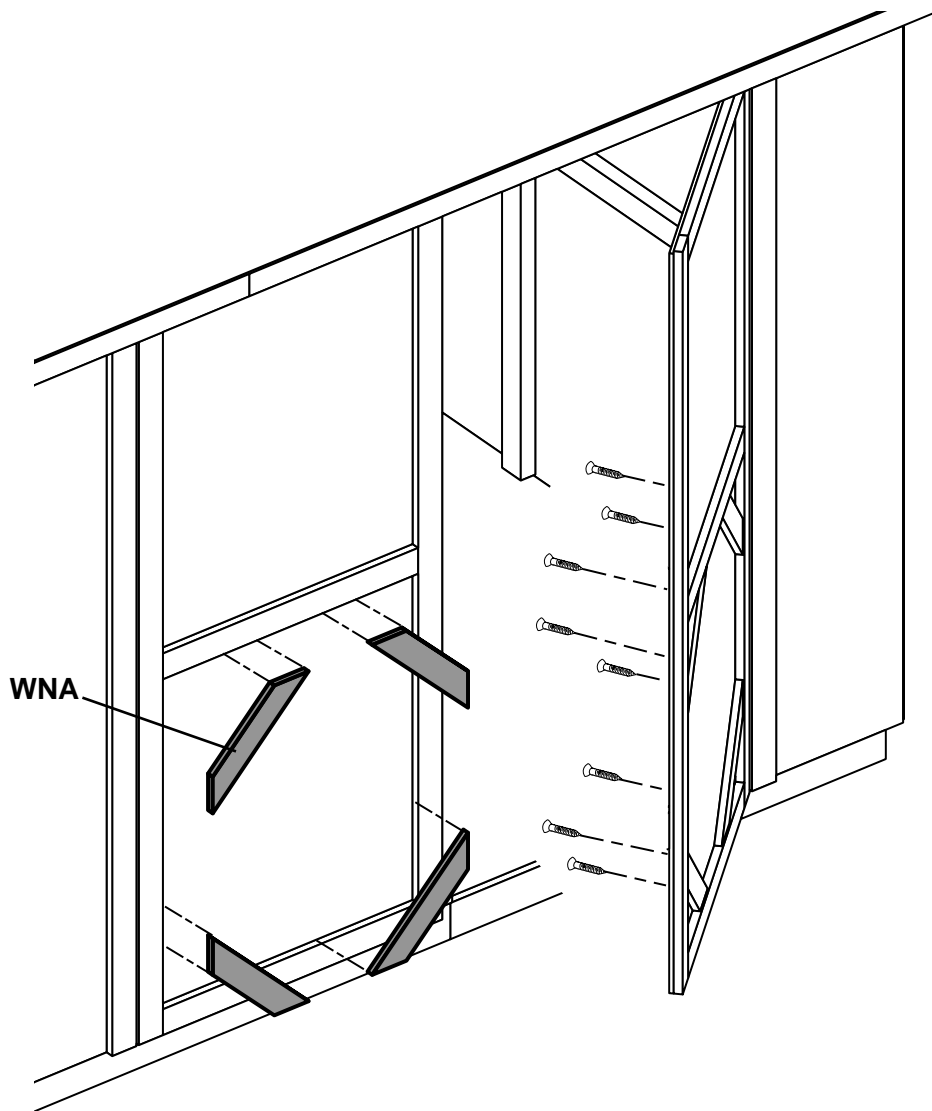
x8 
5/8 x 4 x 14" (1,6 x 10 x 35,5 cm)

x16 
3/4" (19 mm)



 BEGIN

- 1 Position parts on lower pane of Door Panel, as shown.
Attach each using (2) 3/4" (19 mm) screws as shown.

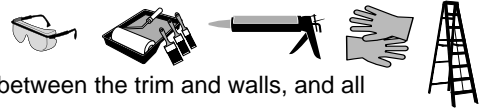


 FINISH

You have finished installing your door trim.

PAINT & CAULK

- NOT INCLUDED -



- Use acrylic latex caulk that is paintable. Caulk at all horizontal and vertical seams, between the trim and walls, and all around the door trim.
- Use a high quality exterior acrylic latex paint. When painting your building, there are a few key areas that can be easily overlooked that must be painted:
 - Bottom edge of all siding and trim
 - Inside of doors and all 4 edges

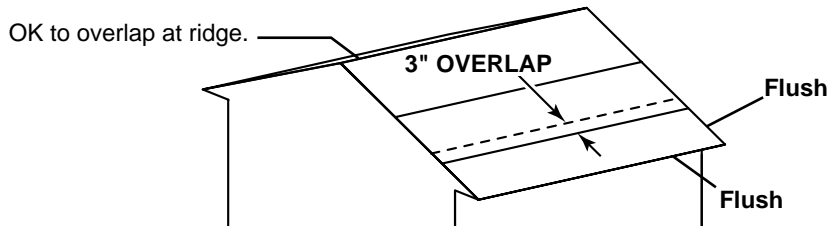
Note:

Prime all un-primed exterior wood before painting.
(Follow directions provided by manufacturer.)

ROOF FELT

- NOT INCLUDED -

- Install felt flush to all roof edges overlapping 3". Use minimal amount of roofing nails to hold in place.

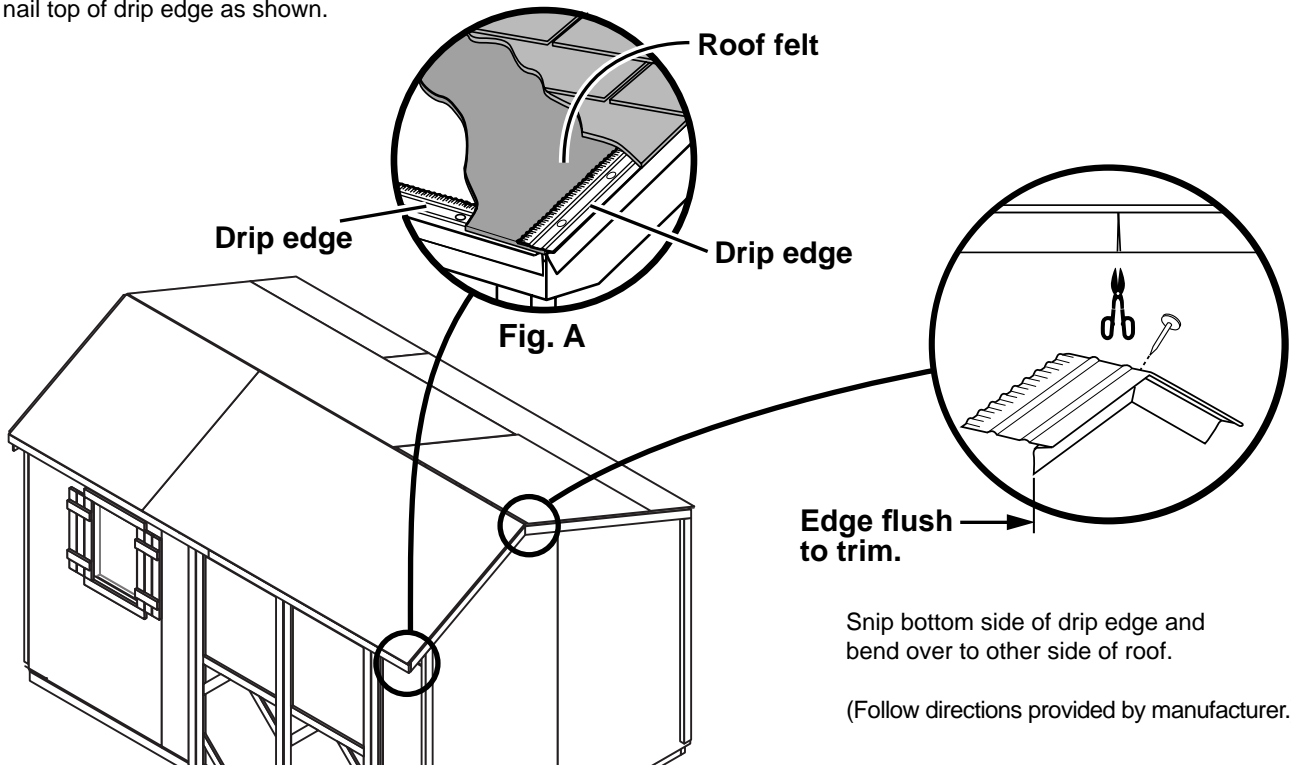


DRIP EDGE

- NOT INCLUDED -



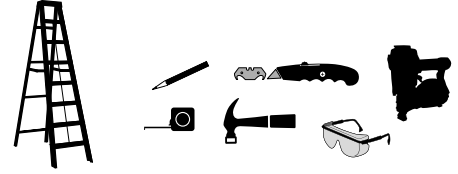
- Install drip edge over roof felt on gable side and under roof felt on eave side (**Fig. A**).
- Do not use nails on side of drip edge that hangs over side of building.
- Only nail top of drip edge as shown.



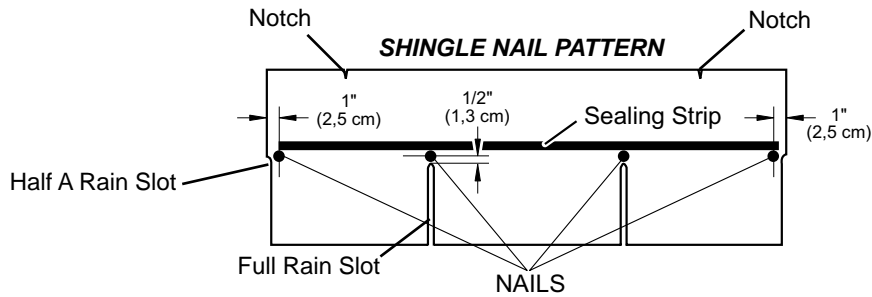
SHINGLES

- NOT INCLUDED -

• Follow directions provided by manufacturer and these instructions.



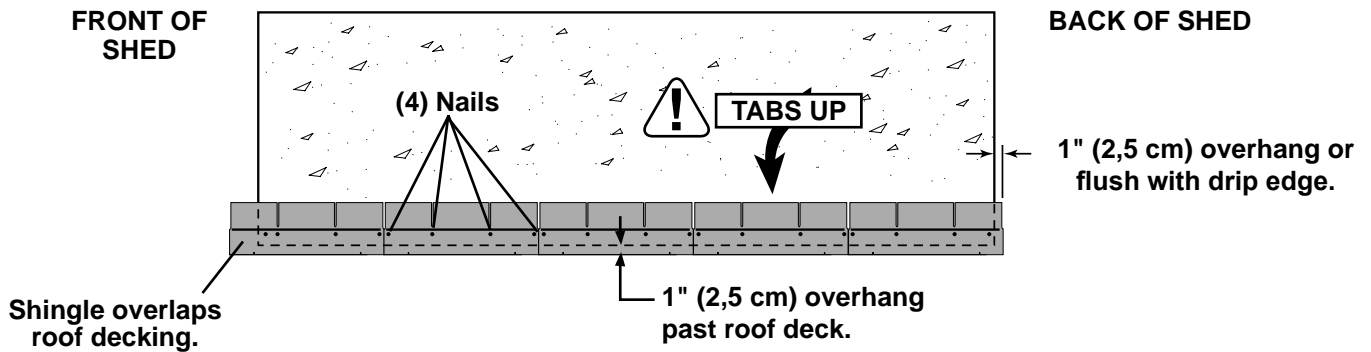
! Familiarize yourself with a 3-Tab Shingle.



! NEVER DRIVE FASTENERS INTO OR ABOVE SEALING STRIPS.

✓ BEGIN

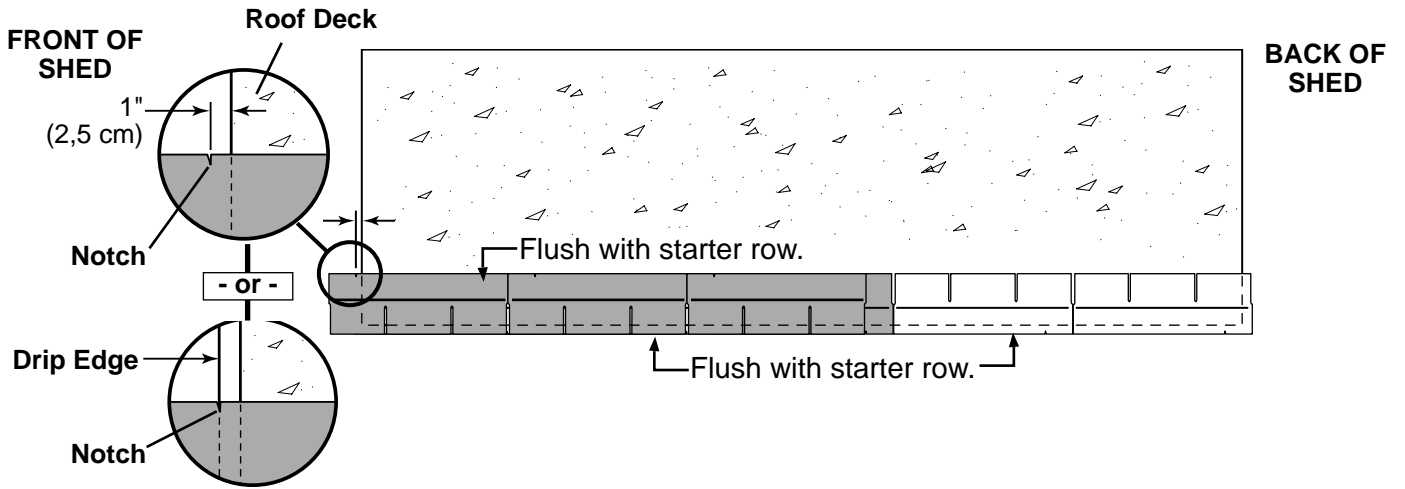
- 1 Install first starter row upside down and color up with a 1" overhang at back and bottom of roof panel. Use (4) nails per shingle. **Starter row must be straight and level all the way across with lower edge of roof deck.**
NOTE: If you have installed drip edge install shingles flush to drip edge.



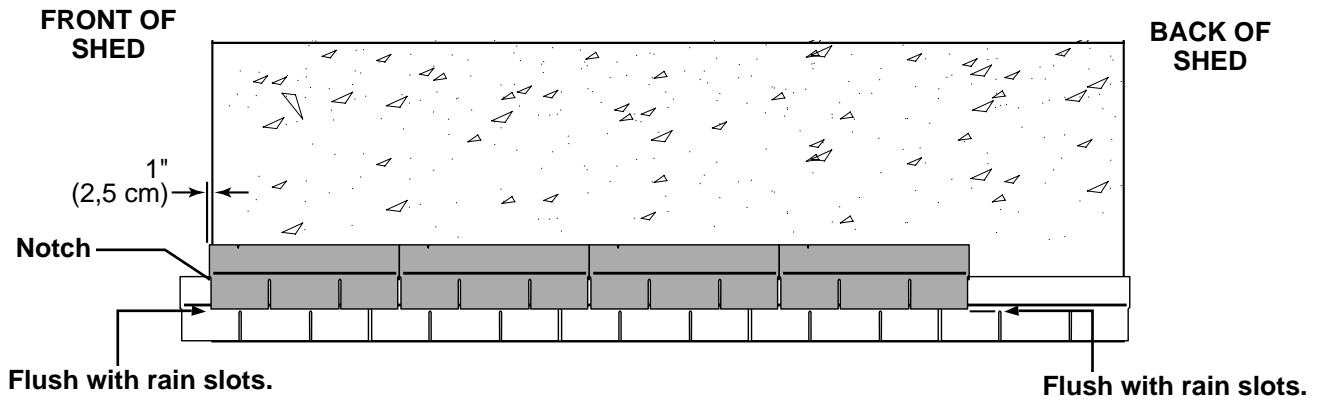
SHINGLES

continued...

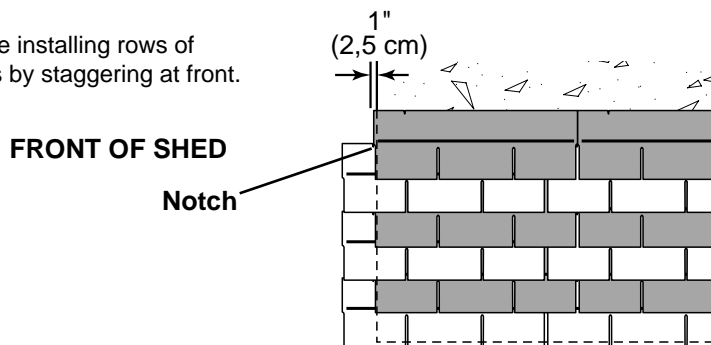
- 2 Beginning at front of shed, install first row of shingles with notch at 1" past roof edge or flush with drip edge.



- 3 Install second row of shingles flush at top of first row's rain slots. Ensure 1" overhang or flush to drip edge at front, stagger each row.



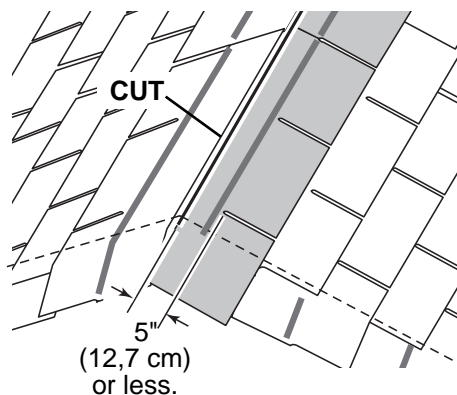
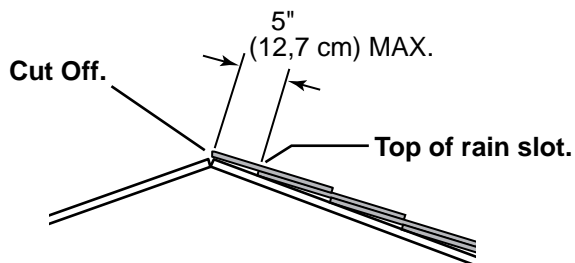
- 4 Continue installing rows of shingles by staggering at front.



SHINGLES

continued...

- 5** Continue installing rows of shingles to the peak. At the peak make sure there is a maximum of 5" or less to the rain slot, as shown below. If shingles overlap at ridge cut to peak with a utility knife.

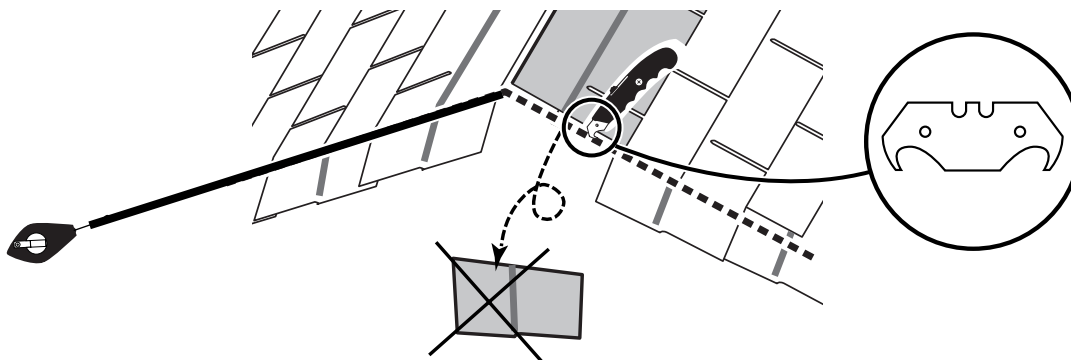


- !** • If more than 5" to rain slot you must install another row of shingles.

- 6** Repeat steps 1 - 5 to shingle the opposite side of your roof. Trim shingles at ridge.

- 7** Once both sides are shingled you need to trim ends. Strike a chalk line 1" from edge.

- 8** Using your shingle hooked blade carefully cut shingles along chalk line.

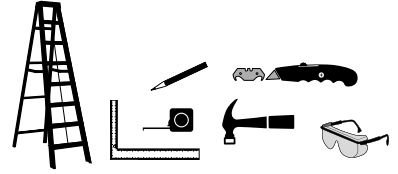


- 9** You have finished shingling your roof. Proceed to capping the ridge.

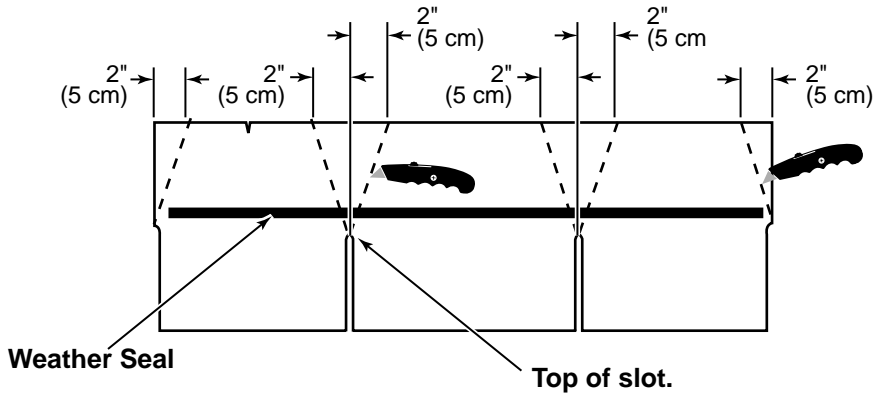
SHINGLES - RIDGE CAP

• You will finish off the top of the roof with a ridge cap made from shingles.

✓ **BEGIN**

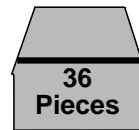


1 Cut shingles into THREE pieces. **Hint:** Use cut-off pieces first.

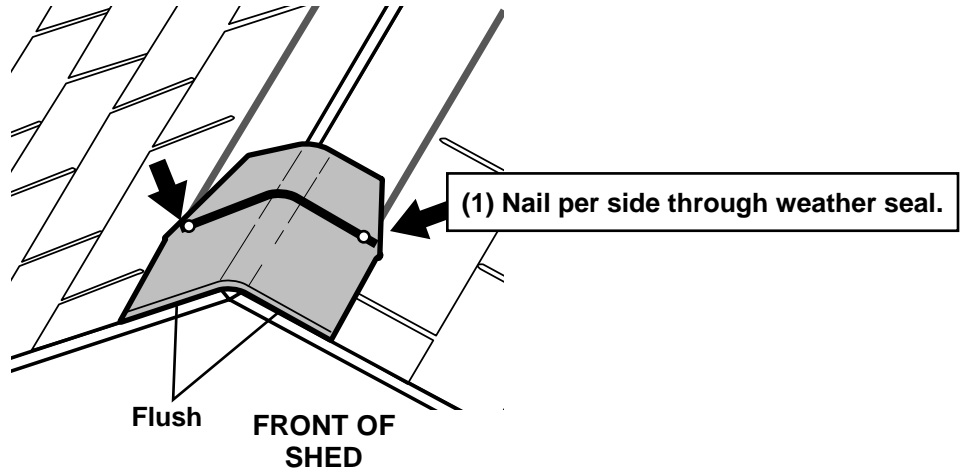


Score shingle, then snap-off angled cut.

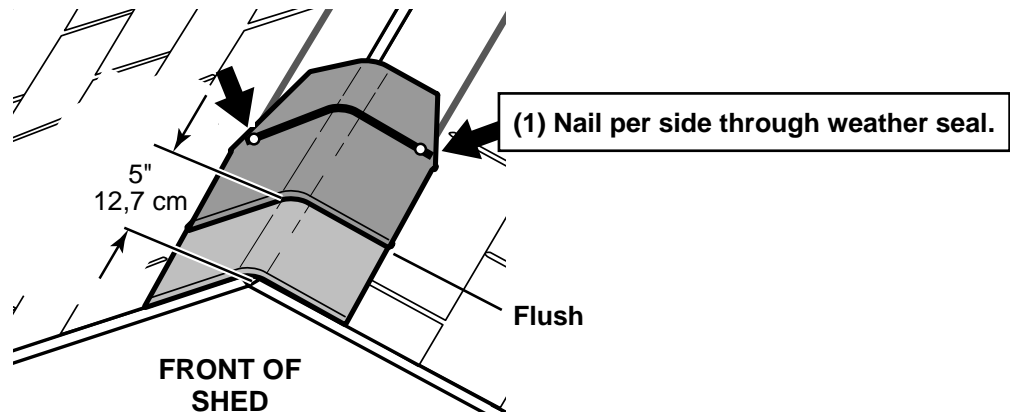
Note: • You will need about 36 cut pieces.



2 Install first ridge cap flush to shingles at front, as shown.



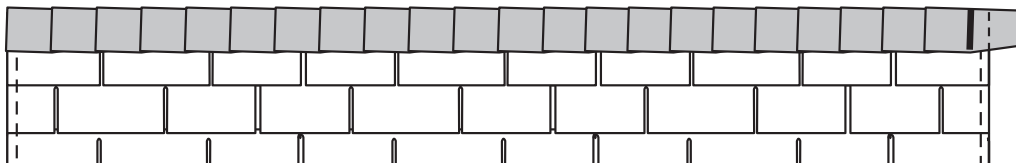
3 Install second ridge cap 5" back, as shown.



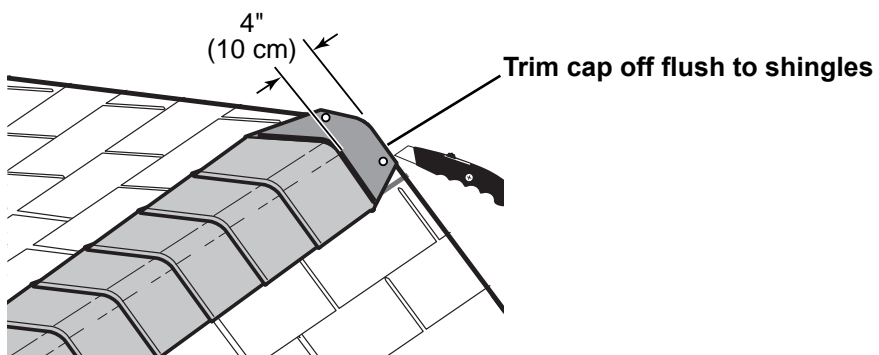
SHINGLES - RIDGE CAP

continued...

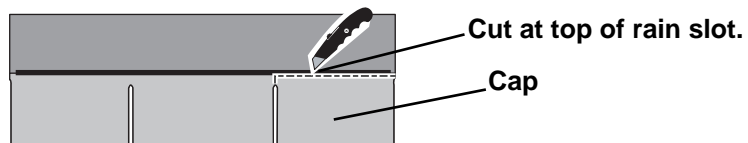
4 Continue installing ridge cap to back of roof.



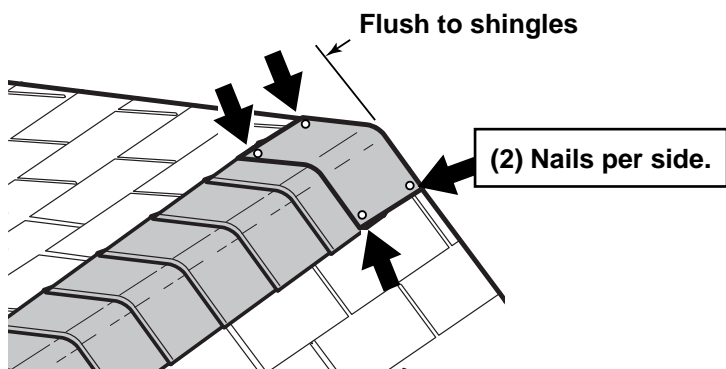
5 Make sure there is 4" between the shingle-color and edge of shingles.



6 When you have 4" minimum of shingle color cut one piece to cap your roof.



7 Install flush to shingles.



8 You have finished your ridge cap.

16011-NG 12' x 8' Order Form

CATEGORY	PART DESCRIPTION	PART SIZE	PART ITEM #	BUILDING QTY.	PART ID
2 X 3	Gable End Rafter Trim LONG	2 X 3 X 65" 22.5" B.E. TRIM	Q 65002222000	2	NR
	Gable End Rafter Trim SHORT	2 X 3 X 46 7/8" 28" B.E. TRIM	Q 46142828000	2	NQ
	Corner trim SHORT Angle End / Sq. End	2 X 3 X 70 1/2" 22.5" O.E. TRIM	Q 70082200000	2	NO
	Corner trim LONG Angle end / Sq. End	2 X 3 X 76 1/4" 28" O.E. TRIM	Q 76042800000	2	MM
	Door Wall Bottom Plate "A"	2 X 3 X 14 1/2" PLATE/ PACKING	Q 14080000000	1	FL
	Door Wall Bottom Plate "B"	2 X 3 X 62 1/2" PLATE	Q 62080000000	1	FN
	Wall Studs SHORT	2 X 3 X 66 1/2" STUD	Q 66080000000	5	FZ
	Wall Studs LONG / Collar Tie	2 X 3 X 68" SUPPORT	Q 68000000000	5	OT
	Top / Bottom Plates "A"	2 X 3 X 94 1/2" SUPPORT	Q 94080000000	3	PR
	Top / Bottom Plates "B"	2 X 3 X 46 1/2" SUPPORT	Q 46080000000	3	NF
	Soffit Filler	2 X 3 X 7 7/8" SOFFIT FILLER	Q 07140000000	2	DY
	Window Framing	2 X 3 X 22 1/2" CONNECTOR	Q 22080000000	2	LV
	Corner Wall Blocks	2 X 3 X 13"	Q 13000000000	4	RK
	Bench Support	2 X 3 X 24 1/16" 45"-45"	Q 24014545000	1	KK
	Cripler TOP	2 X 3 X 29-1/2"	Q 29080000000	1	BJ
	Cripler MIDDLE	2 X 3 X 21 1/2" CRIPPLER	Q 21080000000	2	LF
	Cripler BOTTOM	2 X 3 X 32-1/2"	Q 32080000000	3	KZ
Shelf Block / Pegboard Nailing Block	2 X 3 X 13"	Q 13000000000	3	RK	
Shelf Supports	LUM SPF 2X3X96 #2&BTR	12115	6	PT	
2 X 4	Rafter LONG	2 X 4 X 65" 22.5" RAFTER	O 65002222000	5	AD
1 X 3 PINE	Gauge Block	1 X 3 X 5" PINE FILLER	U 05000000000	1	GAA
	Fascia	1 X 2 -1/2" X 72 3/8" Facia B	U 72060208000	2	KY
	Backboard	LUM SPF 1X3X96 SQ EDGE PET	14403	1	BE
7/16 OSB	Shelf Top	7/16" OSB 11 3/4" X 96"	C 96001112000	2	---
	Workbench Top 20"	7/16" OSB 20" X 96" ROOF PANEL	C 96002000000	1	---
	Roof Panel "A"	OSB 7/16" x 4' x 8'	11110	2	---
	Roof Panel "B"	7/16" OSB 47 7/8" X 48" ROOF	C 48004714000	2	---
	Roof Panel "C"	7/16" OSB 18" X 96" ROOF PANEL	C 96001800000	1	---
Roof Panel "D"	7/16" OSB 18" X 48" ROOF PANEL	C 48001800000	1	---	
5/8 OSB	Header Over Door	5/8" OSB 3 7/8" X 96"	E 96000314000	1	---
1/4 PEGBOARD	Pegboard	1/4" x 23-7/8" x 96"	A 96002314000	1	---
GUSSETS	Gusset	EZ 8" 3 7/8" X 8" X 24" w/28"-	J 24002822000	10	---
NO GROOVE SIDING	Soffit "A"	3/8" NG 7 7/8" X 94 1/2"	K 94080714000	1	---
	Soffit "B"	3/8" NG 7 7/8" X 46 1/2"	K 46080714000	1	---
	Frontwall Panels	3/8" NG 15 7/8" X 72"	K 72001514000	2	---
	Frontwall Panel with Window Opening	3/8" NG 48" X 72" FRONTWALL W/	K 72004800300	1	---
	Eavewall Panels	SIDING NGSE 3/8X4'X6'	11509	3	---
	Frontwall (Gable wall) Panel - RIGHT	3/8" NG 48 X 96" RGT FRONTWALL	K 96004800130	1	---
	Frontwall (Gable wall) Panel - LEFT	3/8" NG 48 X 96" LFT FRONTWALL	K 96004800230	1	---
	Backwall (Gable wall) Panel - RIGHT	3/8" NG 48 X 96" RGT BACKWALL	K 96004800140	1	---
	Backwall (Gable wall) Panel - LEFT	3/8" NG 48 X 96" LFT BACKWALL	K 96004800240	1	---
	Sidewall Soffit Filler	5/8" X 5 3/8" X 5-1/2" RGT	K 05080506100	1	---
Sidewall Soffit Filler	5/8" X 5 3/8" X 5-1/2" LFT	K 05080506200	1	---	
19/32 X 3 SMART TRIM	Horizontal Window Trim	19/32 TST 2 1/2" X 21 3/4"	UT21120208000	2	KX
	Shutter vertical slats	19/32 TST 2 1/2" X 24-3/4" FA	UT24120208000	6	CYZ
	Shutter horizontal brace	19/32 TST 2 1/2" X 8"	UT08000208000	4	KV
19/32 X 4 SMART TRIM	Crossbuck	19/32 TST 4" X 14" 45" L/L	UT14004545000	8	WNA
PURCHASED COMPONENTS	Door Stiffener	LSL 1-1/4 X 2-1/4 X 69 PET	12715	2	OO
	Truss Assembly	RAFTER Sub-Assembly Stratford	30088	5	---
	Hardware Kit:	H/K STRATFORD 12 X 8 IMPROVEME	15834	1	---
	Threshold	THRESHOLD 7/8" X 1-1/2" X 63-7/8	15420	1	---
	6d Nails	NAIL 6D 2" BOX HDG BOX	15105	4	---
	10d Nails	NAIL 10D 3" BOX HDG BOX	15109	2	---
	Small Square Window	WINDOW 16 1/4 X 24 1/4 SM SQ	15276	1	---
PACKAGING	Instructions		16011-NG	1	---
	Instructions		16011-NGF	1	---
Right Door Assembly	30104-R				
	Door Panel	NG 31 1/4" X 71 3/8" DOOR	K 71063104000	1	---
	Right Hinge Assembly	HINGE RIGHT (RED) 19/32x3 THIN TRIM	30121-TT	1	---
	Vertical Door Stiles	19/32 TST 2 1/2" X 71 5/8"	UT71100208000	2	GY
	Horizontal Door Rails	19/32 TST 2 1/2" X 26 5/8"	UT26100208000	2	AH
Left Door Assembly	30104-L				
	Door Panel	NG 31 1/4" X 71 3/8" DOOR	K 71063104000	1	---
	Left Hinge Assembly	HINGE LEFT (GREEN) 19/32x3 THIN TRIM	30131-TT	1	---
	Vertical Door Stiles	19/32 TST 2 1/2" X 71 5/8"	UT71100208000	2	GY
	Horizontal Door Rails	19/32 TST 2 1/2" X 26 5/8"	UT26100208000	2	AH

LIMITED CONDITIONAL WARRANTY*

Backyard Storage Solutions, LLC warrants the following:

1. Every product is warranted from defects in workmanship and manufacturing for 1 year.
2. All accessories, hardware and metal components are warranted for 2 years.
3. All Oriented Strand Board (OSB) is warranted for 2 years
4. Siding and Trim is warranted for 10 years.
5. Solar Shed windows are warranted for 1 year.
6. Cedar lumber is warranted for 15 years.
7. Preserved Pine is warranted for 10 years.
8. Redwood is warranted for 10 years.

Backyard Storage Solutions, LLC will repair, replace or pay for the affected part. In no event shall Backyard Storage Solutions, LLC pay the cost of labor or installation or any other costs related thereto. All warranties are from date of purchase. If a cash refund is paid on an affected part, it will be prorated from the date of purchase.

CONDITIONS

The warranty is effective only when:

1. The unit has been erected in accordance with the assembly instructions.
2. The unit has been properly shingled and painted or stained and reasonably and regularly maintained thereafter.
3. The failure occurs when the unit is owned by the original purchaser.
4. Backyard Storage Solutions, LLC has received the warranty registration card within thirty (30) days of purchase and notification of the failure in writing within the warranty period specified above.
5. Backyard Storage Solutions, LLC has had reasonable opportunity during the sixty (60) days following receipt of notification to inspect and verify the failure prior to commencement of any repair work.

REQUIREMENTS

Storage Buildings

To validate your warranty, it is necessary to properly maintain your Backyard Storage Solutions, LLC unit; shingle the roof and paint or solid-colored stain the siding using quality, 100% acrylic latex exterior product with a minimum of two (2) coats within thirty (30) days of assembly; caulk above all doors and all horizontal and vertical trim boards; paint and seal all exposed edges, sides and faces of siding/trim and OSB siding to include all exterior walls and all sides and all edges of doors.

Gazebos & Pergolas

To validate your warranty, it is necessary to properly maintain your Backyard Storage Solutions, LLC unit. This includes treating all of the exposed cedar and pine surfaces on your gazebo or pergola structure with an exterior grade wood preservative, an exterior oil-based semi-transparent stain, an acrylic latex exterior paint or an acrylic latex solid color exterior stain within 30 days of assembly and as needed thereafter to maintain your warranty.

Keep vegetation trimmed away from building and make sure siding panels and trim do not come in contact with masonry or cement. The minimum ground clearance for siding must be one half inch (½ inch) from concrete slab or two and one half inches (2 ½") from the ground when building is erected or constructed on a treated wood floor kit. Water from sprinklers must be kept off unit. In no event will Backyard Storage Solutions, LLC be responsible for any indirect, incidental, consequential or special damages nor for failure(s) that are caused by events, acts or omissions beyond our control including, but not limited to, misuse or improper assembly, improper maintenance (which eventually leads to rot or decay) and acts of God. Backyard Storage Solutions, LLC will not be held responsible for any labor costs incurred to construct your unit.

This warranty gives you certain specific rights that vary from state to state.

CLAIM PROCEDURE

To make a claim under this warranty, you can either call 1-888-827-9056 or email: customerservice@backyardproducts.com.

Please have ready the information below when you call or include the information in your email:

1. The model and size of the product.
2. A list of the part(s) for which the claim is made.
3. Proof of purchase of the Backyard Storage Solutions, LLC item, as shown on the original invoice or receipt.
4. Run code: found on exterior product label or assembly instructions enclosed in the product package.

All other inquiries can be mailed to:

Backyard Storage Solutions, LLC
Attn: Customer Service
1000 Ternes
Monroe, MI 48162

***WARRANTY TERMS MAY VARY OUTSIDE THE U.S.A.**

IMPORTANT: This is your warranty certificate.

10Y MV LDR: 3/20/2019