

16820-A



STOP

DO NOT RETURN TO THE STORE!

If you discover missing or damaged parts, or if you have questions about the building process, please reach out to us directly for the fastest service.

24/7 Support

help.backyardproducts.com



- Answers to frequently asked questions
- Technical assistance and how-to videos
- Submit a help request
- Request replacement parts

Business Hours

(734) 242-6900

Monday - Friday 8:00am - 6:00pm EST
Saturday - SundayClosed



Did you enjoy building your shed?

JOIN OUR TEAM

AND MAKE UP TO \$1,500/WEEK*

Call a Recruiter Today! 734-365-7000



Flexible schedule



No selling,
just building



Bonus incentives
available

*based on number of completed installations



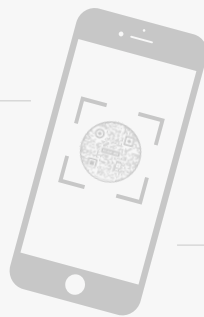
Win \$500

A new winner is selected every 2 months.

Review your product for the chance to win a **\$500 Visa Gift Card**.



How to Enter:



Open camera.
Aim. Tap.



1

Scan
QR code above.

2

Click
'write a review'

3

Find your product.
Tell us what you think.

4

Submit your review.
You'll be notified by e-mail if
you've won the \$500 gift card.

Write a Backyard Products, LLC. product review at backyardreviews.net for a chance to win a \$500 Visa gift card. No purchase necessary to enter. Must be legal U.S. resident (including DC & Puerto Rico), 18 or older to participate. Taxes on prize are responsibility of winner. Odds of winning depend on the number of eligible reviews received. Void where prohibited. For complete details and official rules, visit <https://backyardreviews.net/sweepstakes-rules>.

Lean-To 8' x 4' (243,8 x 121,9 cm)

ACTUAL FLOOR SIZE IS 96" x 48" (243,8 x 121,9 cm)

KEEP THIS MANUAL FOR FUTURE REFERENCE



2 Door Trim Options:



⚠ IMPORTANT! ⚠

READ INSTRUCTIONS THOROUGHLY PRIOR TO BEGINNING ASSEMBLY.

BEFORE YOU BEGIN

- **BUILDING RESTRICTIONS AND APPROVALS**

Be sure to check with local building department and homeowners association for specific restrictions and/ or requirements before building.

- **ENGINEERED DRAWINGS**

Contact our Customer Service Team if engineered drawings are needed to pull local permits.

- **SURFACE PREPARATION**

To ensure proper assembly you must build your shed on a level surface.

Recommended methods and materials to level your shed are listed on page 6.

- **CHECK ALL PARTS**

Inventory all parts listed on pages 4 - 5. Contact our Customer Service Team if any parts are missing or damaged.

- **ADDITIONAL MATERIALS**

You will need additional materials to complete your shed. See page 3 for required and optional materials and quantities.

*****CONTACT OUR CUSTOMER SERVICE TEAM
IF ANY PARTS ARE MISSING OR DAMAGED*****

- Order form and warranty at back of manual -

Call: 1-734-242-6900 email: customerservice@backyardproducts.com



TOOLS

Required


Phillips Screwdriver 

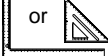

Drill / Driver
 3/8" Drill Bit
 #2 Philips Drive Bit



Hammer 


Level 


Pencil 

Tape Measure 

Square  or 

Utility Knife 
 Shingle Blades 

Caulk Gun 


Paint Tools 


Safety Glasses 


Ladder 

Optional

Tool Belt/ Nail Pouch 

Tin Snips (for drip edge) 

Chalk Line 

Nail Gun
 • gun nails 

Gloves 


C-Clamps 


Safety! Always use approved safety glasses during assembly.

HELPFUL REMINDER SYMBOLS


Look for these symbols for helpful reminders throughout this manual.

 = Assistance Required; two or more people.


 = Ensure squareness.

 = Important required step or operation.

 = Helpful assembly hint.

 = Mark part with pencil.

 **BEGIN** = Beginning of steps for assembly or installation.

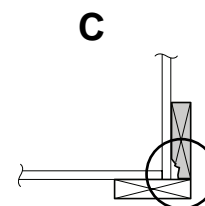
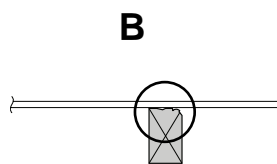
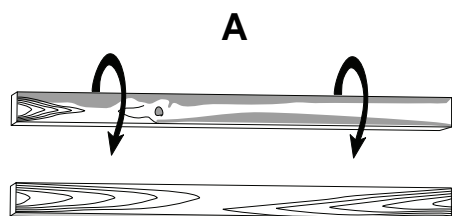
 **FINISH** = You have finished the assembly or installation.

 = Level

ORIENT LUMBER AND TRIM FOR BEST APPEARANCE

Framing lumber is graded for structural strength and not appearance. Exterior trim is graded for one good side.

Always install the material leaving the best edge and best surface visible. Please remember that these blemishes in no way negatively affect the strength or integrity of our product. (See Fig. A, B, C.)



ADDITIONAL MATERIALS NEEDED BEFORE YOU BEGIN

FOUNDATION OR FLOOR MATERIALS

- This shed kit includes a complete wood floor frame system.
- This shed kit does not include ANY leveling materials.
- See the **FLOOR LEVELING** section on page 7 for recommended methods and suggested materials to properly level your floor, as this will vary depending on your specific site.

FLOOR PANEL

If your order does not come with a floor panel,
see panel size and quantity below needed to complete your floor.

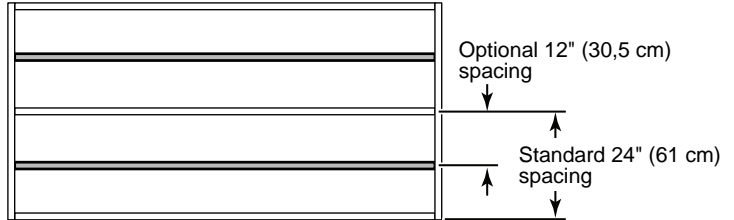
NOTE: Use a minimum of 5/8" (1,6 cm) oriented strand board (OSB).



REINFORCED WOOD FLOOR FRAME (OPTIONAL)

IMPORTANT! (The included floor is designed for general use.) Depending on your specific use you may want to construct a heavy duty floor frame by adding additional floor joists (shown below as shaded). Below is a list of additional materials (not included):

- x2** 2 x 4 x 8' (5 x 10 x 244 cm) Treated Lumber
Cut lumber to 2 x 4 x 93" (5 x 10 x 236,2 cm)
- x8** 3" (7,6 cm) Hot Dipped Galvanized Nails



COMPLETING YOUR SHED

You will need these additional materials:

- | | |
|---|---|
| <ul style="list-style-type: none"> <input type="checkbox"/> 3-TAB SHINGLES 2 Bundles <input type="checkbox"/> PAINT FOR SIDING 2 Gallons
Use 100% acrylic latex exterior paint. (2) coats recommended. <input type="checkbox"/> CAULK 1 Tube
Use acrylic latex exterior caulk that is paintable. | <ul style="list-style-type: none"> <input type="checkbox"/> 1" GALVANIZED ROOFING NAILS.... 2 Lbs
For shingles. <input type="checkbox"/> PAINT FOR TRIM1 Quart
Use 100% acrylic latex exterior paint. |
|---|---|

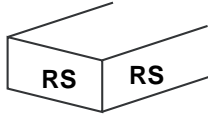
OPTIONAL MATERIALS

- | | |
|---|--|
| <ul style="list-style-type: none"> <input type="checkbox"/> DRIP EDGE 30 Feet | <ul style="list-style-type: none"> <input type="checkbox"/> #15 ROOFING FELT
To cover 42 Sq. Ft. of roof area. <input type="checkbox"/> 1" GALVANIZED ROOFING NAILS.....1/4 Lb
For roofing felt. |
|---|--|

**REFER TO THE BACK OF THIS MANUAL AND THE MANUFACTURER'S INSTRUCTIONS
FOR INSTALLATION OF SHINGLES, DRIP EDGE AND FELT.**

PARTS IDENTIFICATION AND SIZES

Part identification is stamped on some parts.



• Check these locations for part stamp.

Treated lumber is stamped:

TREATED

WOOD SIZE CONVERSION CHART

Nominal Board Size	Actual Size
2 x 4	1-1/2" x 3-1/2" (3,8 x 8,9 cm)
1 x 4	3/4" x 3-1/2" (1,9 x 8,9 cm)
2 x 3	1-1/2" x 2-1/2" (3,8 x 6,3 cm)
1 x 3	3/4" x 2-1/2" (3,8 x 6,3 cm)

PARTS LIST



INVENTORY YOUR PARTS before you begin.

We suggest sorting parts by the category they are listed in.

FLOOR

- x2 TREATED 2 x 4 x 48" (5 x 10 x 122 cm)
- x3 TREATED 2 x 4 x 93" (5 x 10,2 x 236,2 cm)

WALL

- x2 RK 2 x 3 x 13" (5,1 x 7,6 x 33 cm)
- x2 LK 2 x 3 x 16" (5,1 x 7,6 x 40,6 cm)
- x4 OMA 2 x 3 x 43" (5,1 x 7,6 x 109,2 cm)
- x4 OT 2 x 3 x 68" (5,1 x 7,6 x 172,7)
- x5 PCA 2 x 3 x 76-1/16" (5,1 x 7,6 x 193,2 cm)
- x4 PT 2 x 3 x 96" (5,1 x 7,6 x 243,8 cm)

ROOF

- x5 TND 2 x 4 x 48-11/16" (5,1 x 10,2 x 123,7 cm)

TRIM

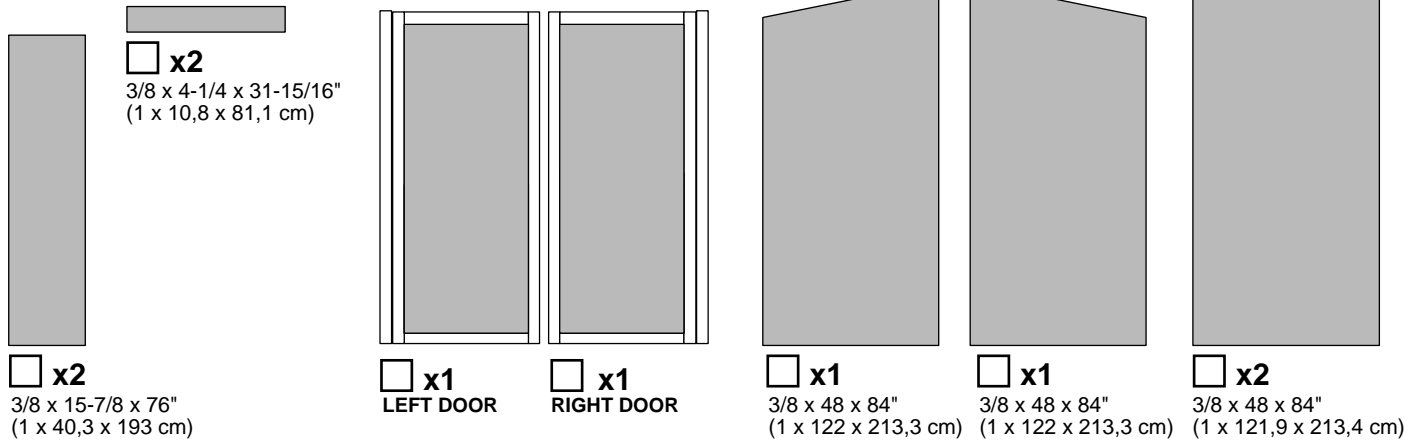
- x1 RLZ 2 x 4 x 24-3/4" (5,1 x 7,6 x 62,9 cm)
- x1 CYZ 19/32" x 2-1/2 x 24-3/4" (1,5 x 6,3 x 62,9 cm)
- x1 YSR 19/32" x 3-1/2 x 54-9/16" (1,5 x 8,9 x 138,6 cm)
- x1 YSL 19/32" x 3-1/2 x 54-9/16" (1,5 x 8,9 x 138,6 cm)
- x1 ZJ 19/32" x 2-1/2 x 72" (1,5 x 6,3 x 182,9 cm)
- x1 TM 2 x 4 x 72" (5,1 x 10,2 x 182,9 cm)
- x1 3/8 x 2-1/4 x 70-1/4" (1 x 5,7 x 178,4 cm)
- x1 3/8 x 1-3/4 x 73-1/8" (1 x 4,4 x 185,7 cm)
- x1 3/8 x 1-3/4 x 73-1/8" (1 x 4,4 x 185,7 cm)
- x2 3/8 x 1-3/4 x 74-7/16" (1 x 4,4 x 189,1 cm)
- x1 3/8 x 1-3/4 x 81-1/8" (1 x 4,4 x 206,1 cm)
- x1 3/8 x 1-3/4 x 81-1/8" (1 x 4,4 x 206,1 cm)
- x2 3/8 x 1-3/4 x 84" (1 x 4,4 x 213,4 cm)
- x2 3/8 x 2-1/4 x 93-1/4" (1 x 5,7 x 236,9 cm)

DOOR

- x4 AH 19/32" x 2-1/2 x 26-5/8" (1,5 x 6,3 x 67,6 cm)
- x2 OO 69" (175,3 cm) Door Stiffener

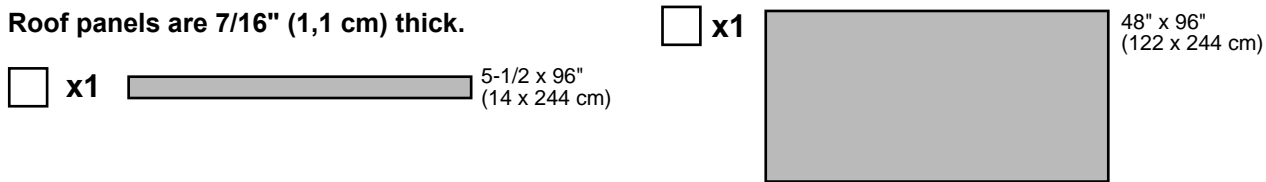
WALL PANEL & DOORS PARTS LIST

NOTE: Panel parts are not stamped.

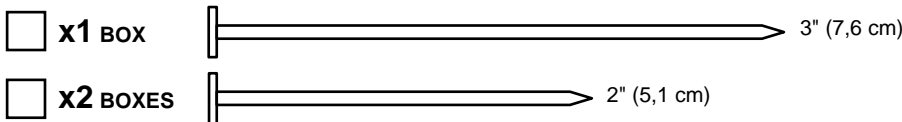


ROOF PANELS

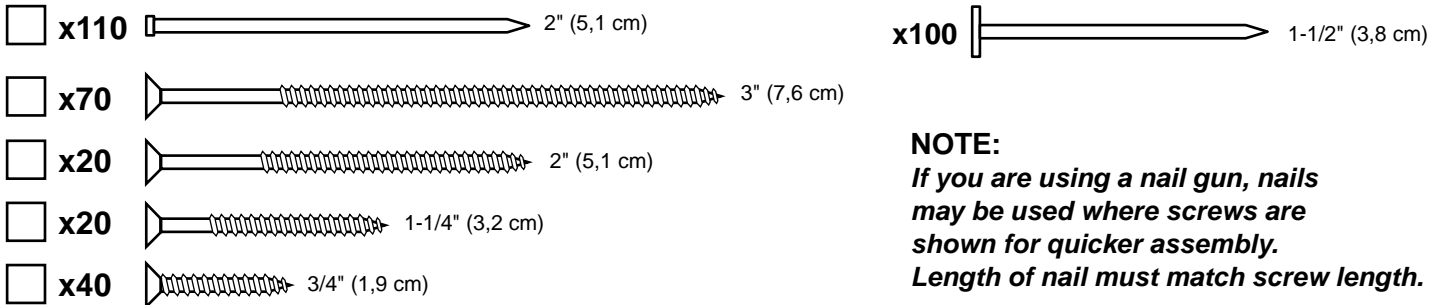
Roof panels are 7/16" (1,1 cm) thick.



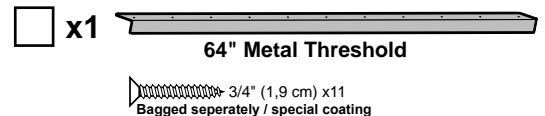
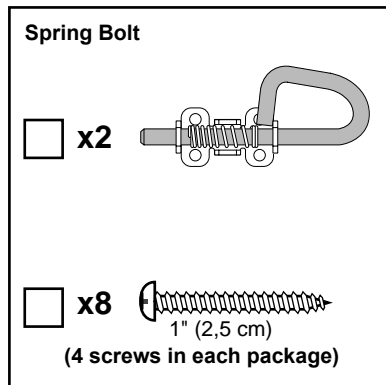
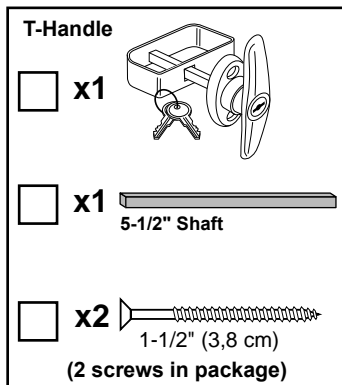
NAIL BOXES (Shown Actual Size)



FASTENER/HARDWARE BAG (Shown Actual Size)



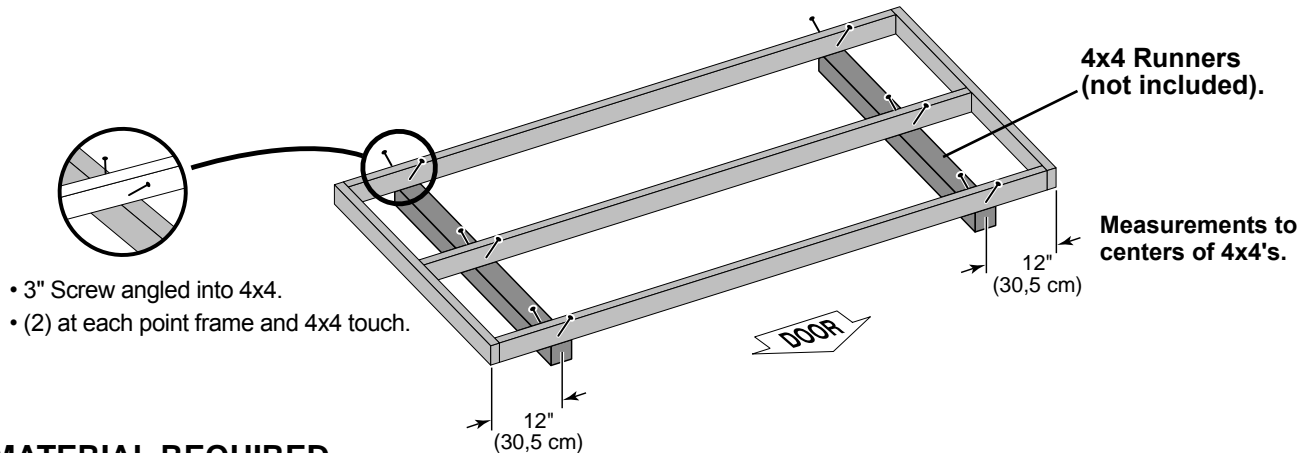
DOOR HARDWARE (Not Actual Size)



FLOOR LEVELING OPTIONS

There are multiple ways to level your floor frame. Our recommended leveling method is shown below.
Leveling materials are not included in this kit.

PREFERRED METHOD - 4x4 TREATED RUNNERS



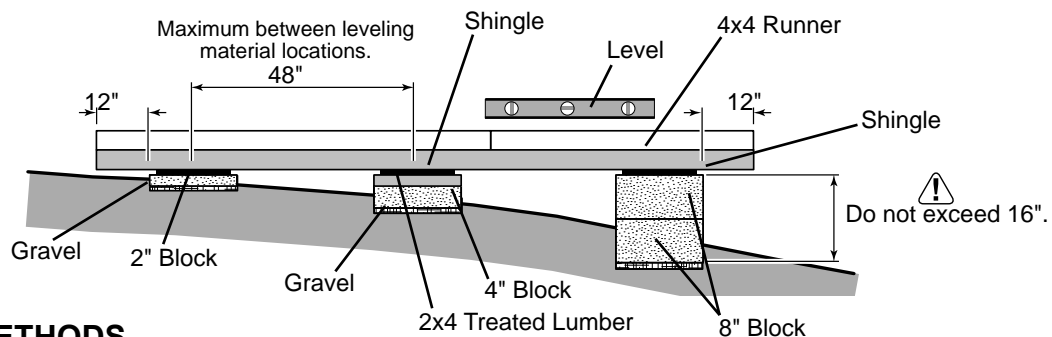
MATERIAL REQUIRED

x1 4 x 4 x 8' (10,2 x 10,2 x 243,8 cm) Treated Lumber

Fasteners for Frame to 4"x 4".
 (3" Screws shown as one option.) Minimum (12) 3" screws / exterior grade.

⚠ Use only wood treated for ground contact and fasteners approved for use with treated wood.

⚠ Always support frame seams.



LEVELING METHODS

- Level under 4x4 runners only.
- Locate leveling material 12" from ends of runners and no more than 48" apart.
- Asphalt shingles should be used between 4x4 runners and blocks or treated lumber. Never use shingles in direct contact with ground.
- For best results and aiding in water drainage use gravel under each concrete block.

LEVELING MATERIALS

- Gravel
- Solid Masonry Blocks in 1", 2", 4" or 8" thickness
- 2x4 Treated Lumber
- Asphalt Shingles

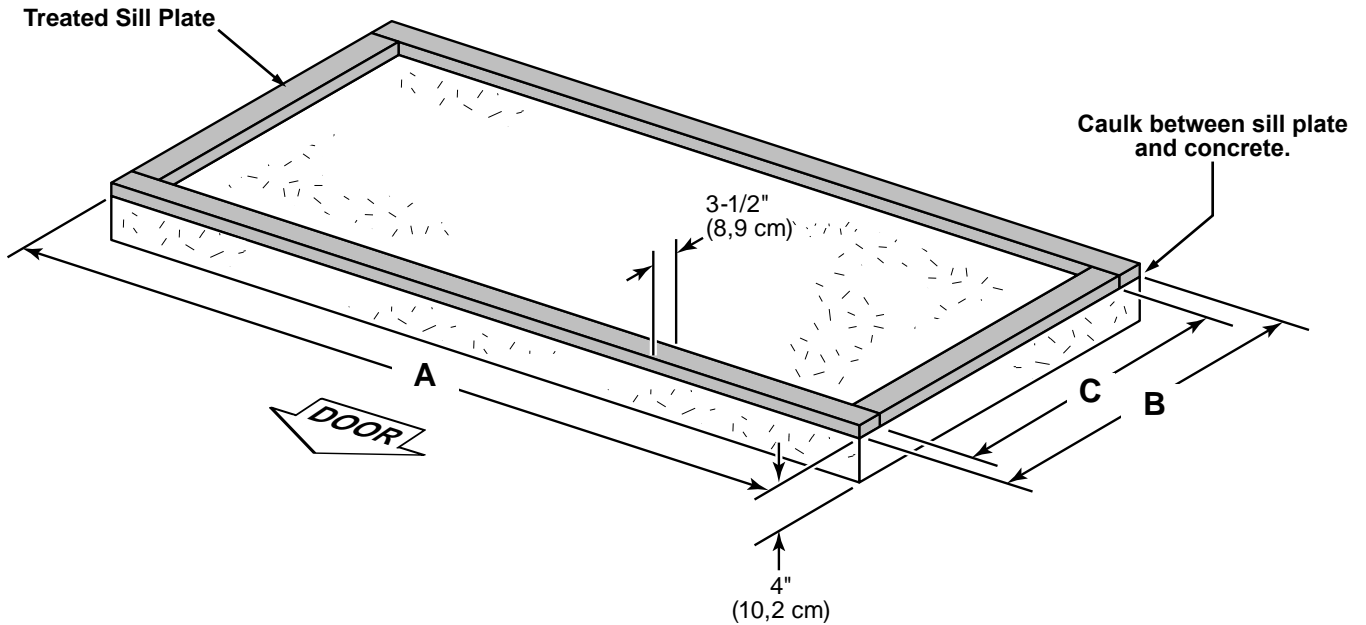
⚠ Leveling higher than 16" not recommended.

CONCRETE

- If you are building your shed on a concrete foundation see the following page.

CONCRETE FOUNDATION

If you choose to install your kit on a concrete slab refer to the diagram below.



Building Size	Actual Floor Size	A	B	C
4'x 8' (121,9 x 243,8 cm)	4'x 8' (121,9 x 243,8 cm)	96" (243,8 cm)	48" (121,9 cm)	41" (104,1 cm)

Requires:

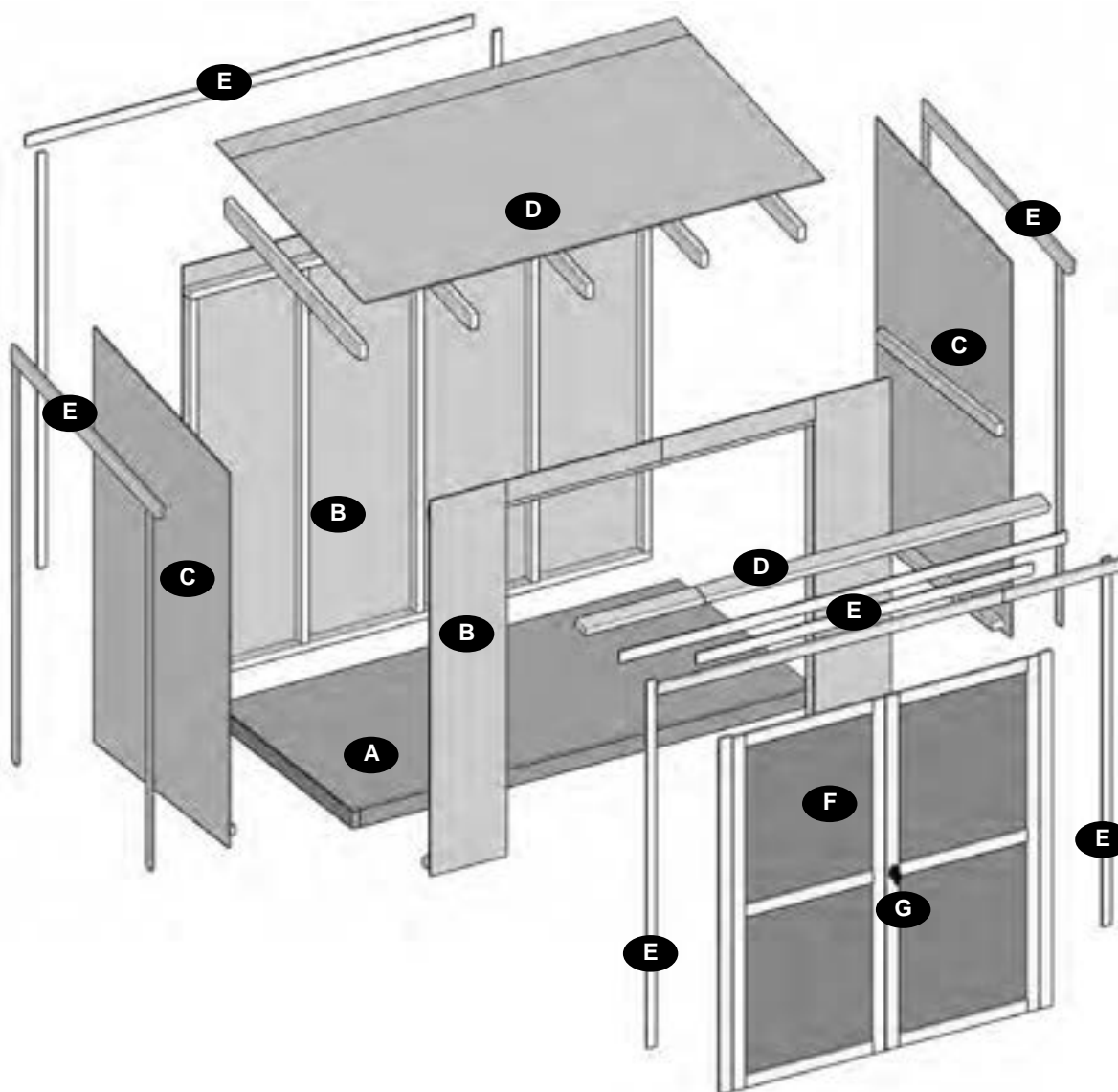
- x3** 2 x 4 x 8' (5,1 x 10,2 x 243,8 cm) ⚠ **MUST be treated lumber.**
- x1** Caulk

⚠ Allow new concrete slabs to cure for at least seven (7) days.

- A treated 2 x 4" (5,1 x 10,2 cm) sill plate is required when installing your shed on concrete.
Hint: Use treated lumber in your kit or purchase full length treated lumber.
- Use a high quality exterior grade caulk beneath all sill plates.
- Fasten 2 x 4" (5,1 x 10,2 cm) sill plates to slab using approved concrete anchors (**fasteners not included**).
- Check local code for concrete foundation requirements.

NOTES

COMPONENT SECTION INDEX

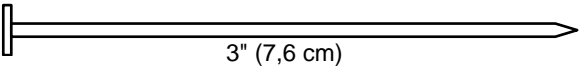


Description	Section	Page
Floor	A	9
Walls - Front & Back	B	13
Walls - Left & Right	C	18
Roof	D	22
Trim	E	25
Doors	F	30
Door HDW.	G	34
Shingles/Roofing		36

FLOOR FRAME

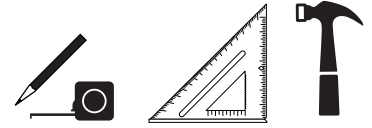
PARTS REQUIRED:

x3 **TREATED**
2 x 4 x 93" (5,1 x 10,2 x 236,2 cm)

x12  3" (7,6 cm)

x2 **TREATED**
2 x 4 x 48" (5,1 x 10,2 x 121,9 cm)

NOTE: Look for **TREATED** Stamp.



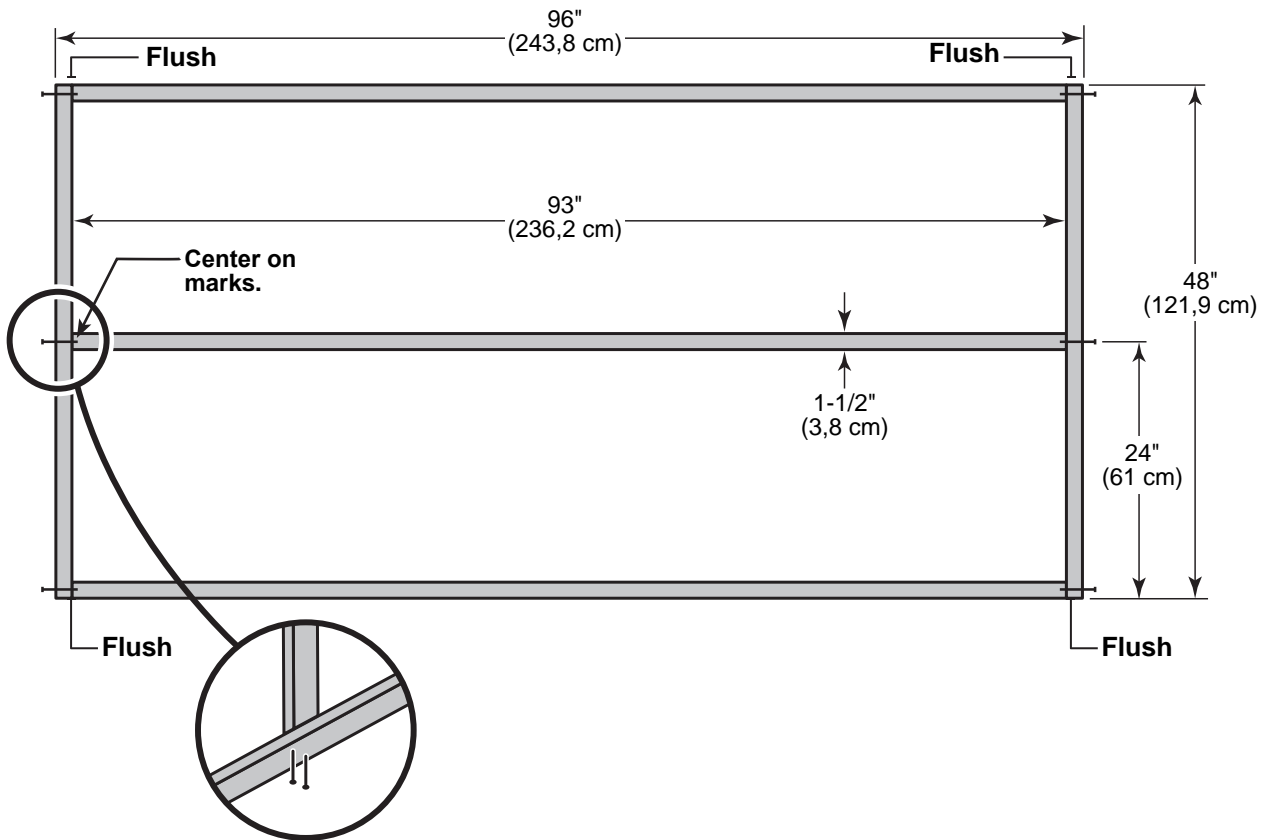
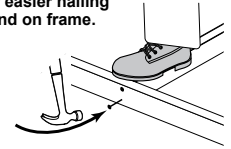
✓ BEGIN

1 Orient parts as shown on flat surface. Measure and mark each dimension from end of boards.

2 Use (2) 3" nails at each mark.



HINT:
For easier nailing
stand on frame.

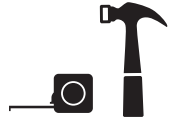


FINISH

You have finished your floor frame.

NOTE: The included floor is designed for general use. Depending on your specific use you may want to construct a heavy duty floor frame by adding additional floor joists (see page 3 for optional materials).

FLOOR FRAME



STOP!



LEVEL AND SQUARE FLOOR FRAME

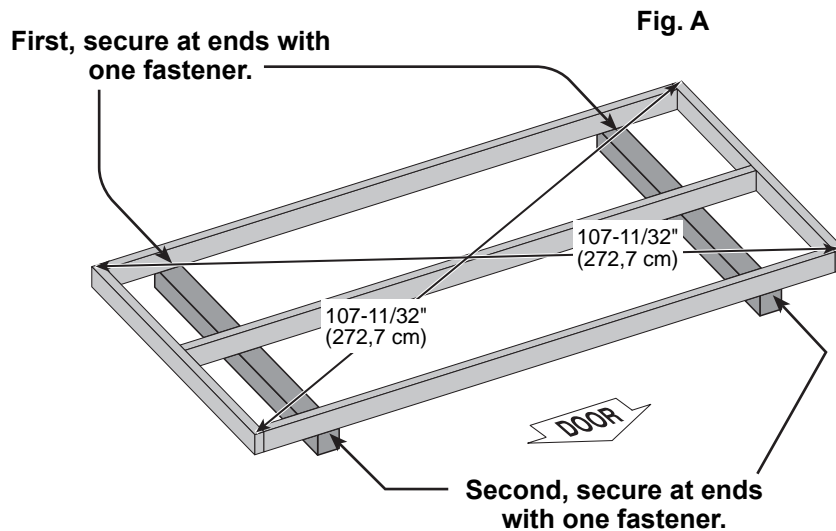


Before attaching floor decking, it is important to level and square the floor frame.
A level and square floor frame is required to correctly construct your shed.

STOP!

BEGIN

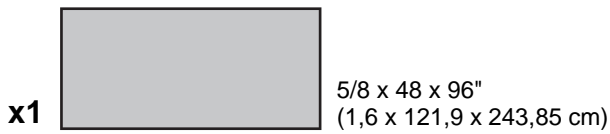
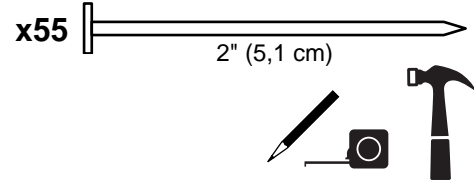
- 1 See page 7 for the preferred floor leveling method.
- 2 Use level and check the frame is level before applying floor panels.
- 3 Check for frame squareness by measuring diagonally across corners. If the measurements are the same, the frame is square. The diagonal measurement will be approximately 107-11/32" (272,7 cm).
- 4 When the frame is level and square secure one side of frame to the 4x4 runners using one fastener at ends of each runner. At the opposite end of the frame, secure the frame to 4x4 runners with one fastener at ends of each runner making sure the frame remains square (**Fig. A**).



Once the floor frame is level and square fasten the frame at each point where the frame contacts the 4x4 runners.

FLOOR PANEL

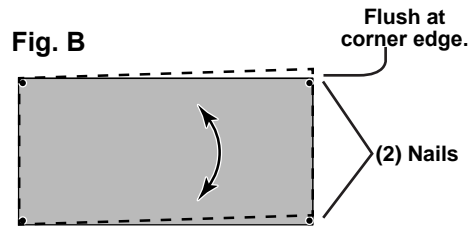
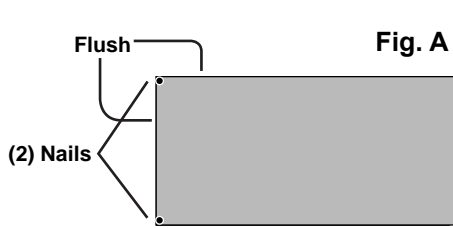
PARTS REQUIRED:



! Ensure your floor frame is square by installing panel and squaring frame.

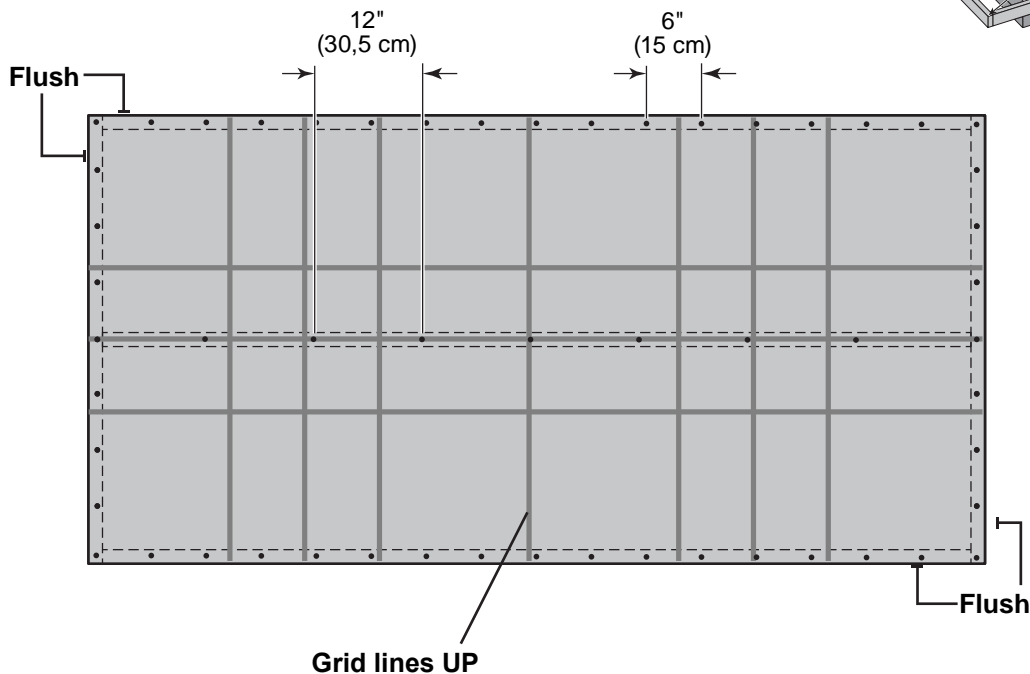
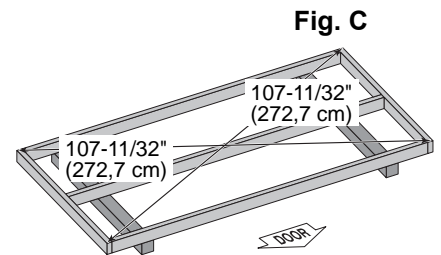
✓ BEGIN

- 1 Attach the 48 x 96" panel with the rough side up (painted-grid lines side) with the 48" edge and corner flush to the floor frame (**Fig. A**). Secure panel with (2) 2" nails in the corners.
- 2 Move to the opposite end. Using the long edge of the panel as a lever move the panel side-to-side until the top corner is flush to the floor frame (**Fig. B**). Secure panel with (2) 2" nails in the corners.



- 3 Ensure the floor frame is square by measuring diagonally across the frame corners. If the measurements are the same your floor frame is square. The measurement will be approximately 107-11/32" (272,7 cm) (**Fig. C**).

- 4 Continue attaching the panel with 2" nails spaced 6" apart on edges and 12" apart inside panel. Use a chalk line or use pre-painted grid lines to nail into joists under panel.

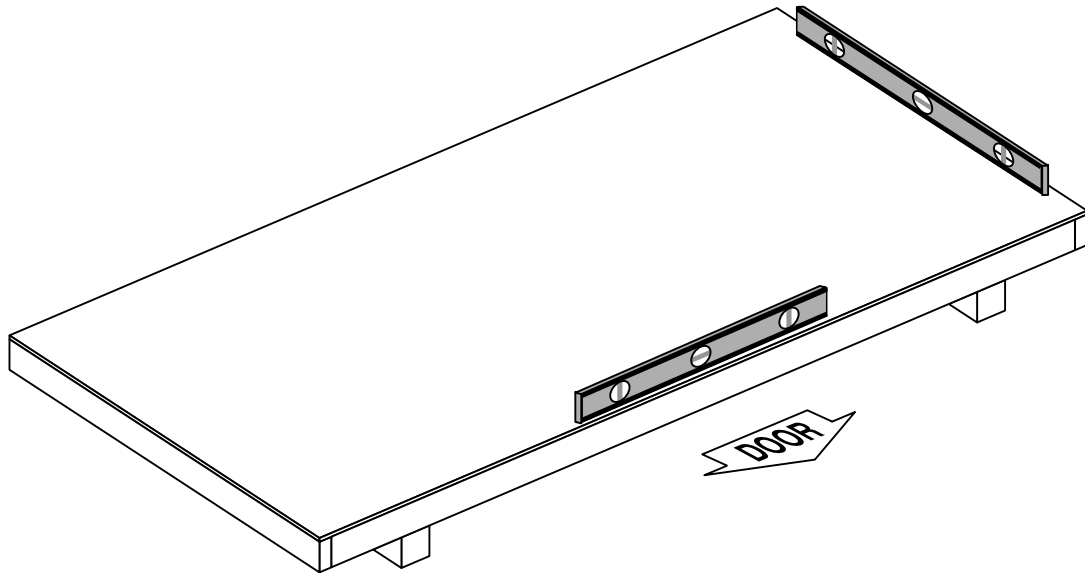


Your floor panel is now installed.

! IMPORTANT!

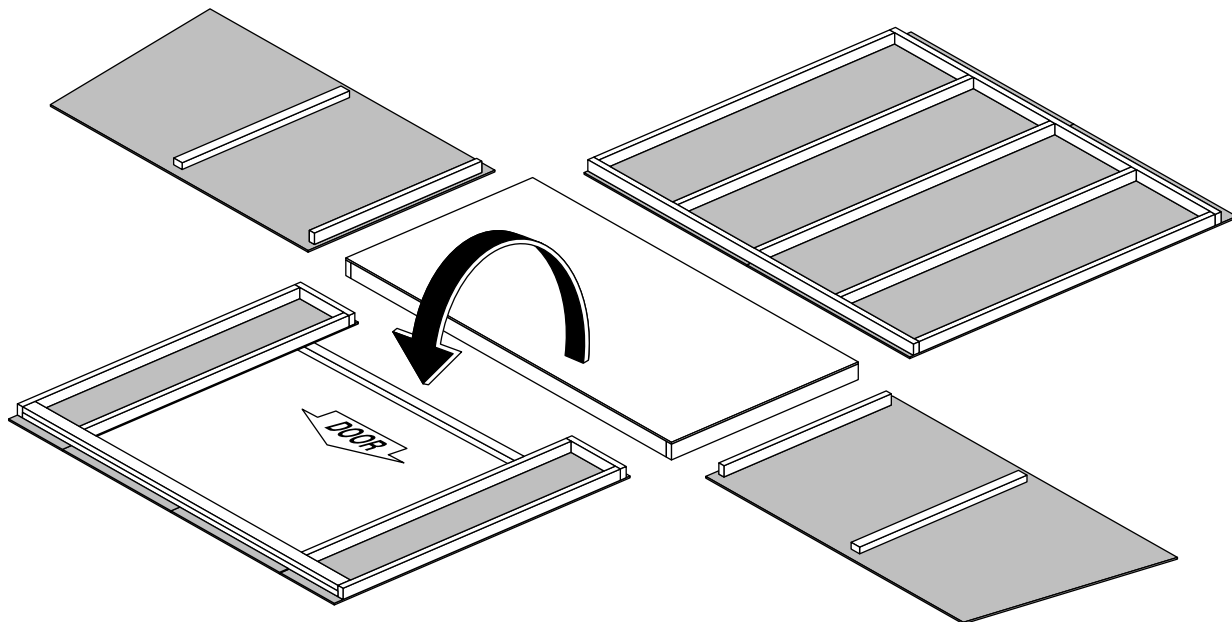


STOP! Check the floor frame is level after installing floor panel. Re-level if needed.



• The floor may be used as a stable work surface for wall construction.

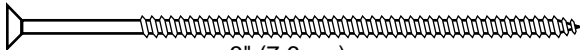
HINT: • Organize your assembly procedure during the build process to avoid over-handling of the walls.



DOOR HEADER ASSEMBLY

PARTS REQUIRED:

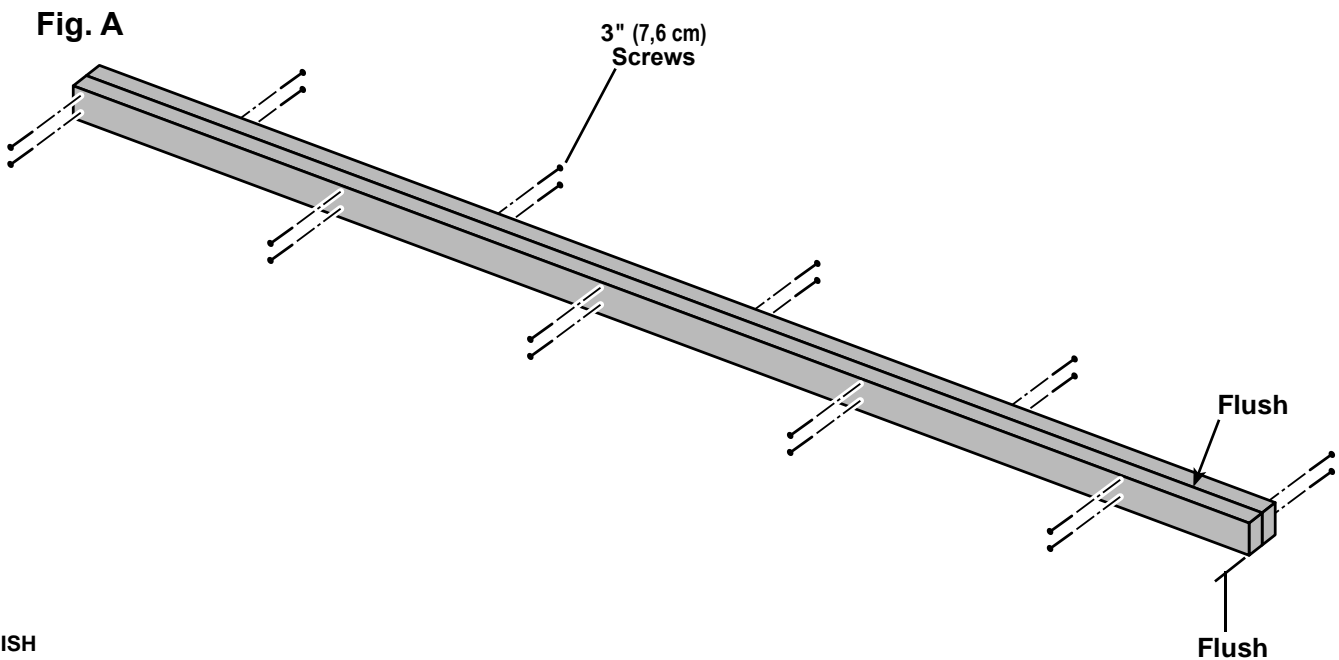
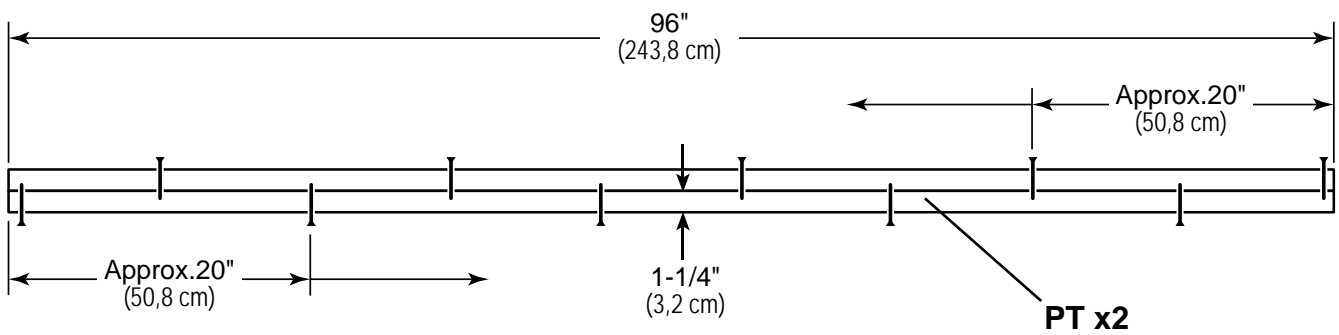
x2 **PT**
2 x 3 x 96" (5,1 x 7,6 x 243,8 cm)

x20  3" (7,6 cm)



✓ BEGIN

- 1 Orient (2) **PT** parts on edge on floor as shown. Keep edges flush.
- 2 Attach with 3" screws in pattern shown (**Fig. A**).

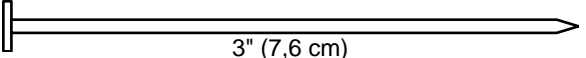


Your front wall door header is now assembled.

FRONT WALL FRAME

PARTS REQUIRED:

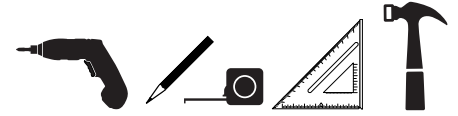
x2 **LK** 2 x 3 x 16" (5,1 x 7,6 x 40,6 cm)

x28  3" (7,6 cm)

x4 **OT** 2 x 3 x 68" (5,1 x 7,6 x 172,7)

x2 **RK** 2 x 3 x 13" (5,1 x 7,6 x 33 cm)

x1 **Header Assembly**



✓ BEGIN

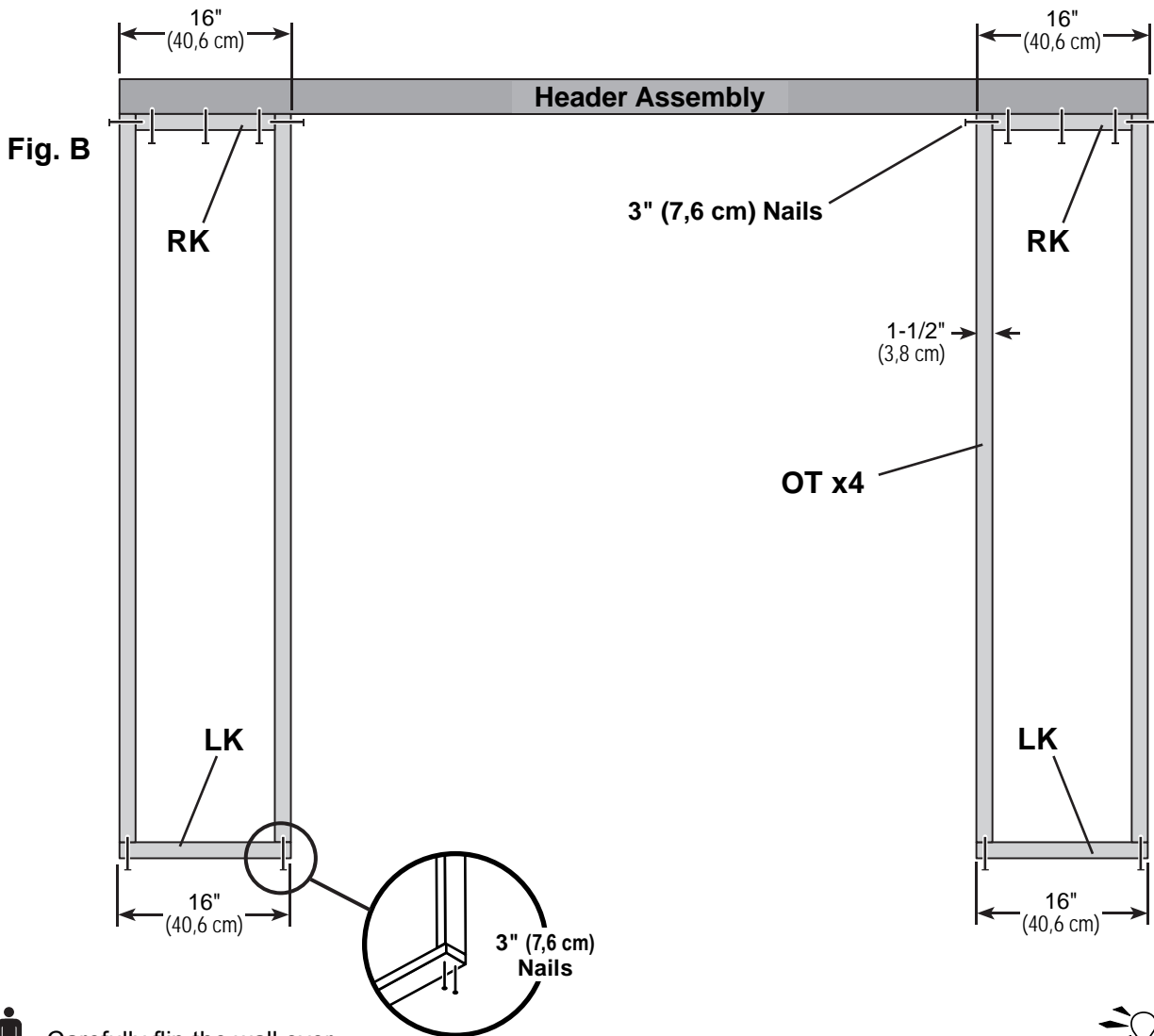
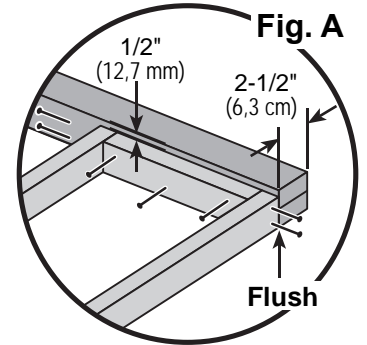
- 1 Arrange parts on floor, as shown. Measure and mark.
Orient header assembly with the 2-1/2" (6,3 cm) side as shown.

NOTE: Header assembly is flush to the back side of frame.

There will be a 1/2" (1,3 cm) reveal on top (**Fig. A**).

Secure parts **LK** to **OT** with (2) 3" nails at each connection (**Fig. B**).

Secure **RK** to header assembly with (3) 3" nails before nailing the ends.



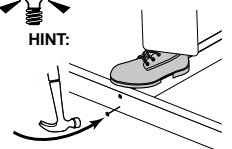
Carefully flip the wall over.



FINISH
Your front wall frame is assembled.





HINT:




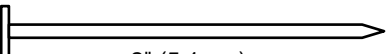
FRONT WALL PANELS

PARTS REQUIRED:

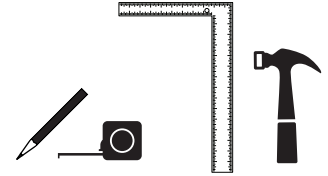
x2 
 3/8 x 4-1/2 x 31-15/16"
 (1 x 11,4 x 81,1 cm)

x2 
 3/8 x 15-7/8 x 76"
 (1 x 40,3 x 193 cm)

x2  x72
 3" (7,6 cm)

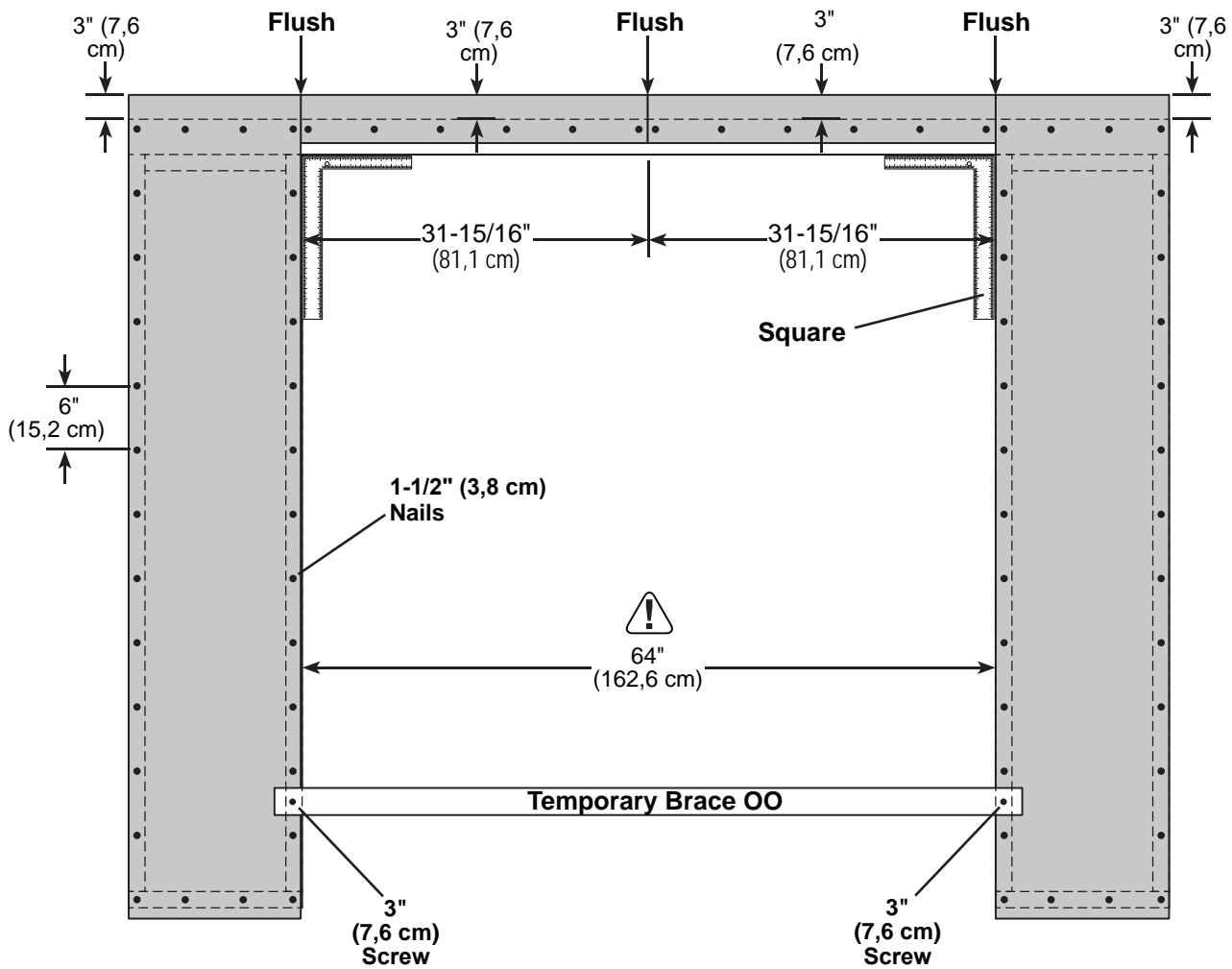

 2" (5,1 cm)

x1  **OO TEMPORARY**
 69" (175,3 cm) Door Stiffener



✓ BEGIN

- Place 15-7/8" x 76" and 4-1/2" x 31-15/16" panels primed side up on frame, as shown. Frame should be positioned with the flush side of header assembly facing up. Align panels 3" above header and flush at top. Secure panels with 2" nails spaced 6" apart along edges.



- Install OO as a temporary brace with 3" screws.



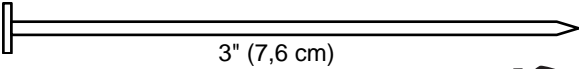
Your front wall is assembled.

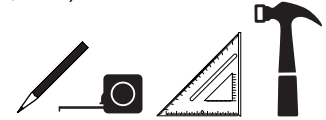
BACK WALL FRAME

PARTS REQUIRED:

x5 **PCA**
2 x 3 x 76-1/16" (5,1 x 7,6 x 193,2 cm)

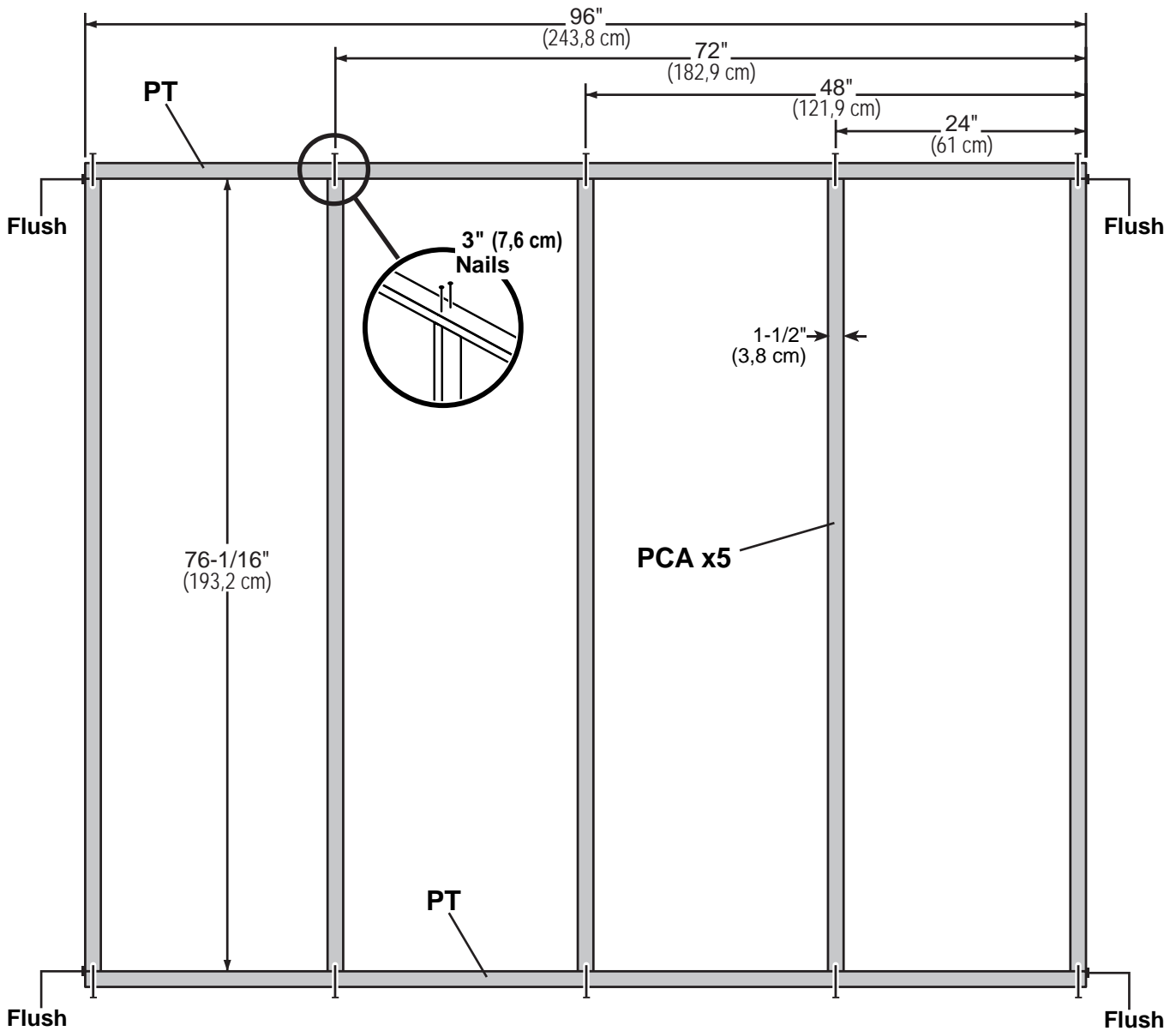
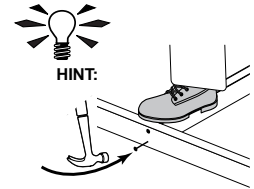
x2 **PT**
2 x 3 x 96" (5,1 x 7,6 x 243,8 cm)

x20  3" (7,6 cm)



✓ BEGIN

- 1 Arrange parts on edge on floor, as shown.
Secure with (2) 3" nails at each connection.

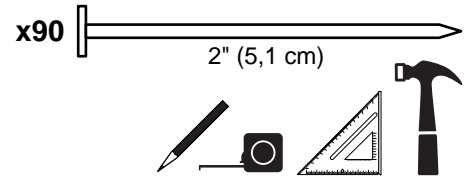
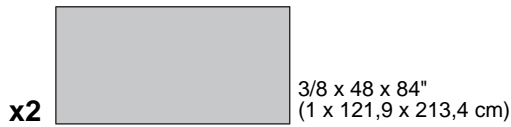


FINISH

Your back wall frame is assembled.

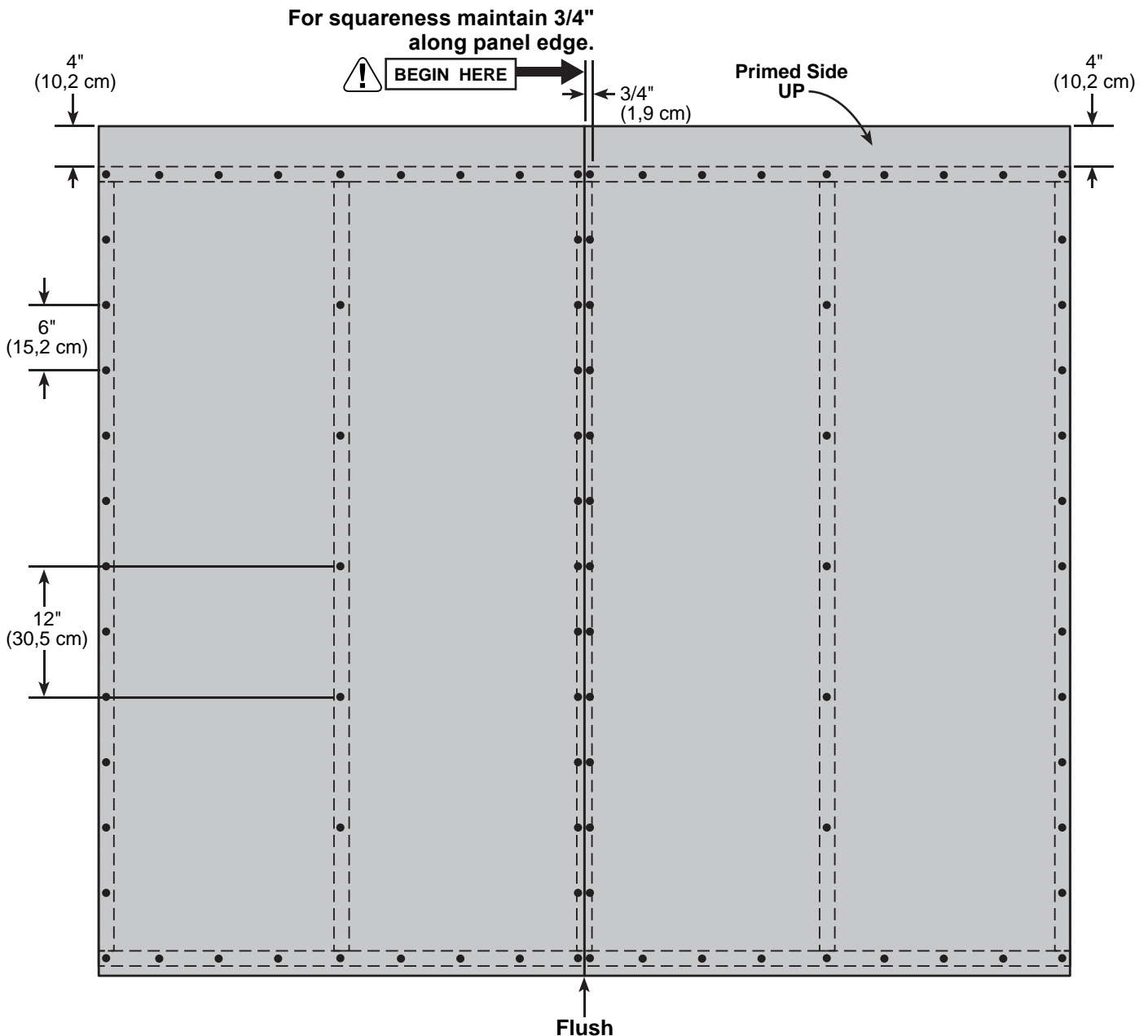
BACK WALL PANELS

PARTS REQUIRED:



✓ BEGIN

- 1 Place 48" x 84" panels primed side up on frame, as shown.
Align panels 4" above top plate **PT**. Use a 3/4" gauge block on edge of first panel.
Secure panels with 2" nails spaced 6" apart along edges and 12" apart inside panel.



Your have finished your back wall.

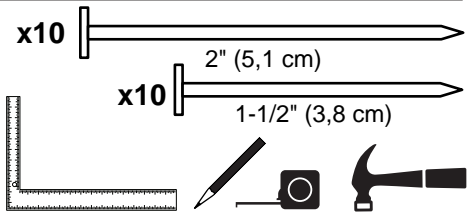
SIDE WALLS

PARTS REQUIRED:

x4 **OMA**
2 x 3 x 43" (5,1 x 7,6 x 109,2 cm)

LEFT
x1 3/8 x 48 x 84"
(1 x 122 x 213,3 cm)

RIGHT
x1 3/8 x 48 x 84"
(1 x 122 x 213,3 cm)

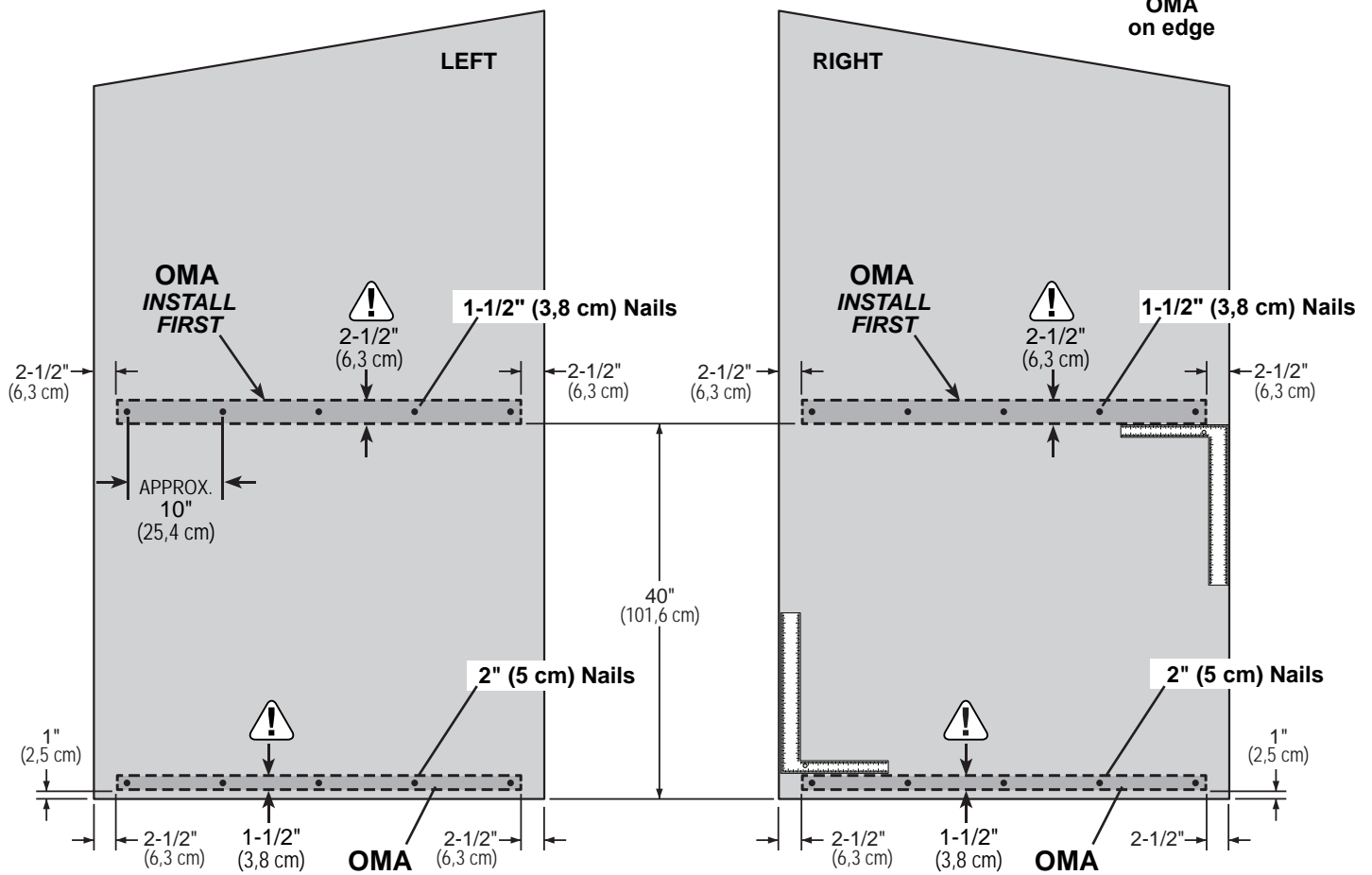
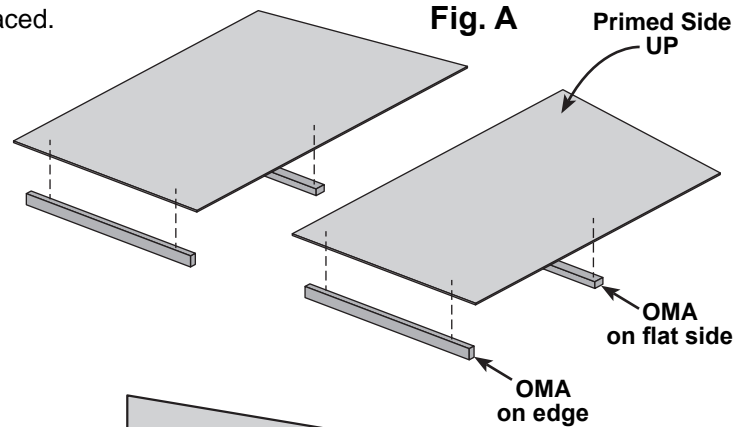


✓ BEGIN

1 Arrange parts as shown (Fig. A). Place right and left 48" x 84" panels primed side up on (2) OMA.

Secure upper OMA first, with (5) 1-1/2" nails evenly spaced.

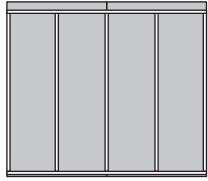
Secure bottom OMA with (5) 2" nails evenly spaced.



Your have finished your side walls.

BACK WALL INSTALLATION

PARTS REQUIRED:



Back Wall Assembly

x18 1-1/2" (3,8 cm)

x2 3" (7,6 cm)

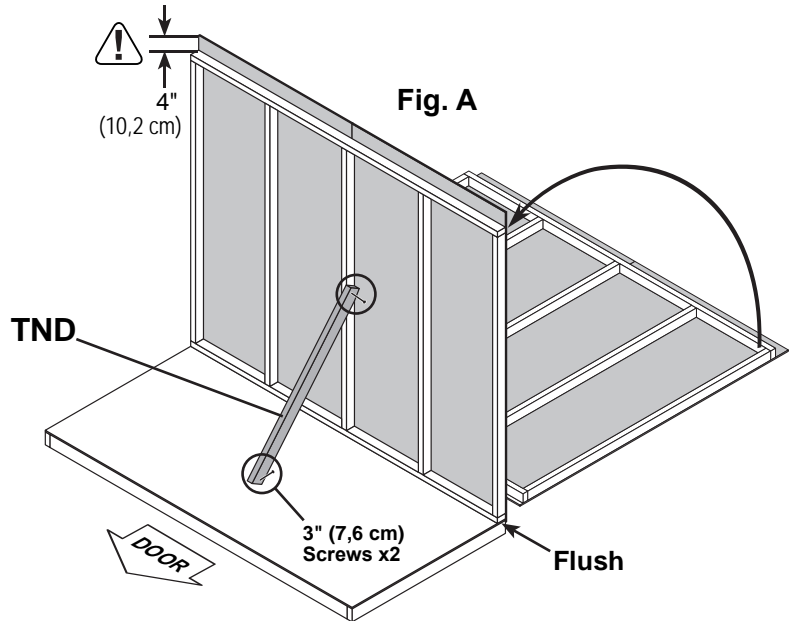
x8 3" (7,6 cm)

x1 **TND TEMPORARY SUPPORT**
2 x 4 x 48-11/16" (5 x 10,2 x 123,7 cm)



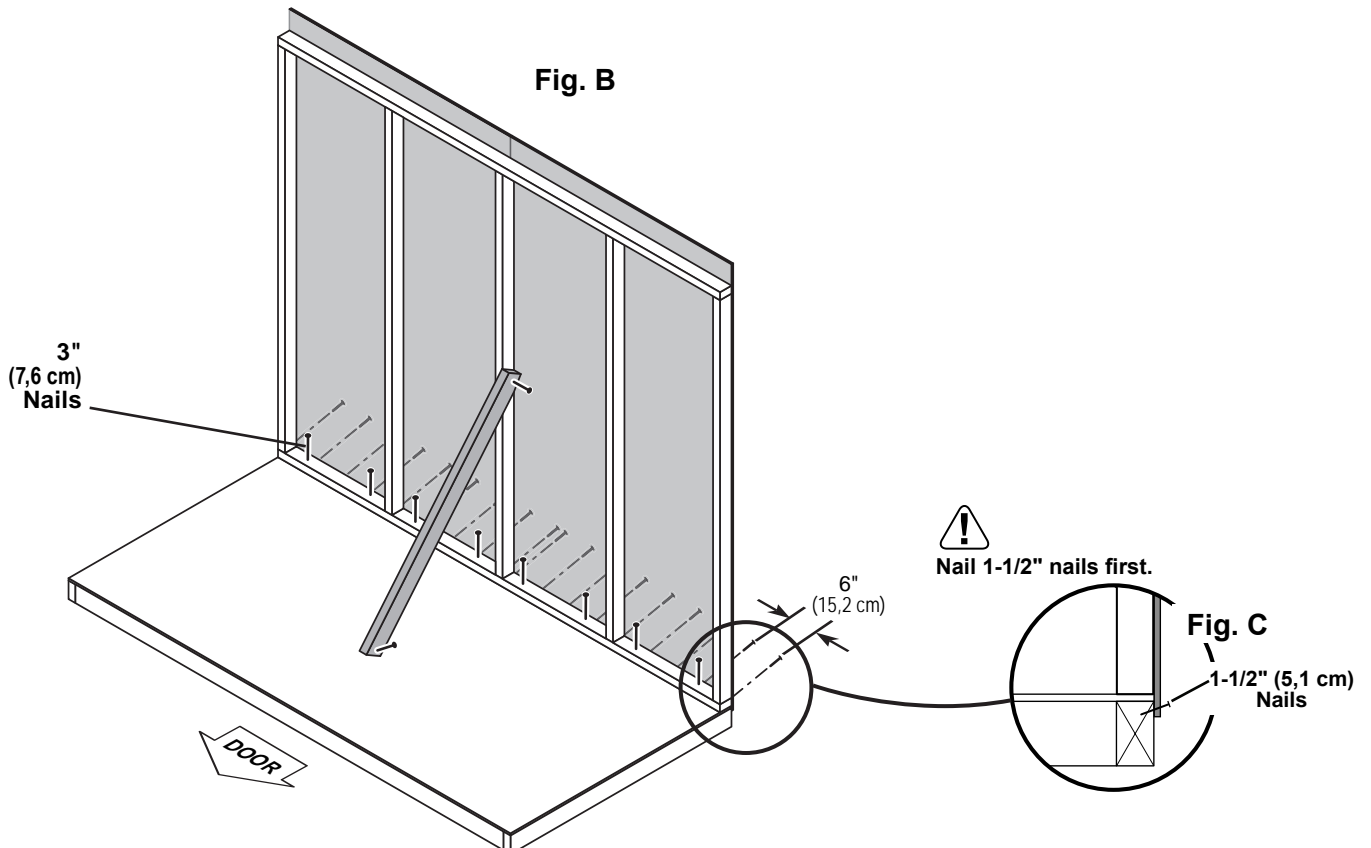
✓ BEGIN

- Center back wall assembly on the floor.
Stabilize wall using **TND** as a temporary brace.
Secure **TND** with (2) 3" screws (**Fig. A**).



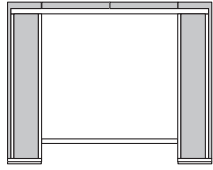
- Nail lower edge of panel to floor frame with 1-1/2" nails spaced 6" apart.
Angle nail to hit floor frame (**Fig. B, C**).

- Secure bottom plate to floor frame with 3" nails (**Fig. B**).

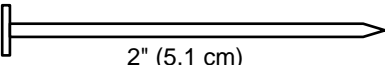
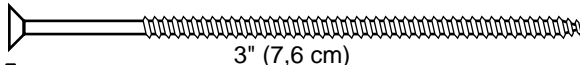
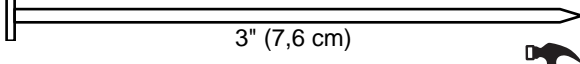


FRONT WALL INSTALLATION

PARTS REQUIRED:



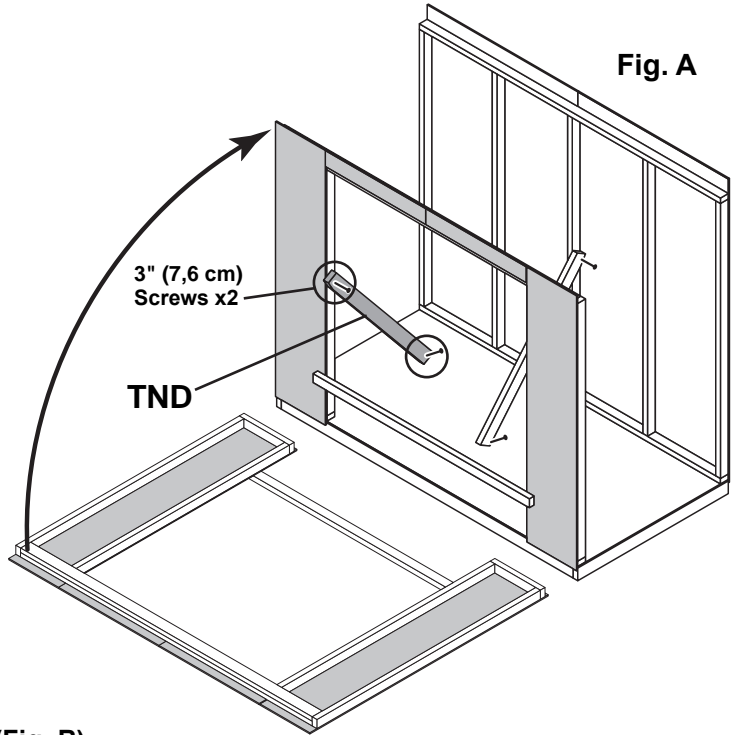
Front Wall Assembly

- x6  2" (5,1 cm)
- x2  3" (7,6 cm)
- x4  3" (7,6 cm)
- x1 **TND TEMPORARY SUPPORT**
2 x 4 x 48-11/16" (5 x 10,2 x 123,7 cm)



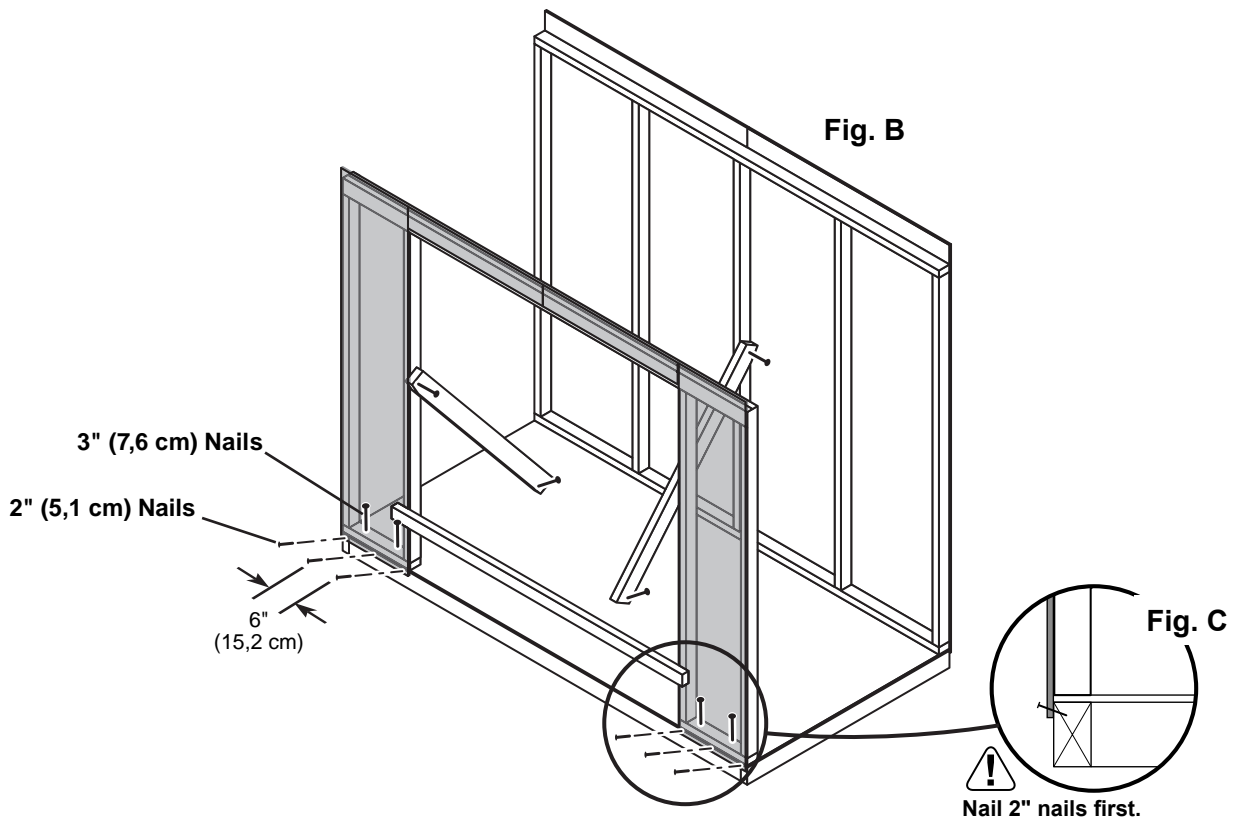
✓ BEGIN

- 1 Center front wall assembly on the floor.
Stabilize wall using **TND** as a temporary brace.
Secure **TND** with (2) 3" screws (**Fig. A**).



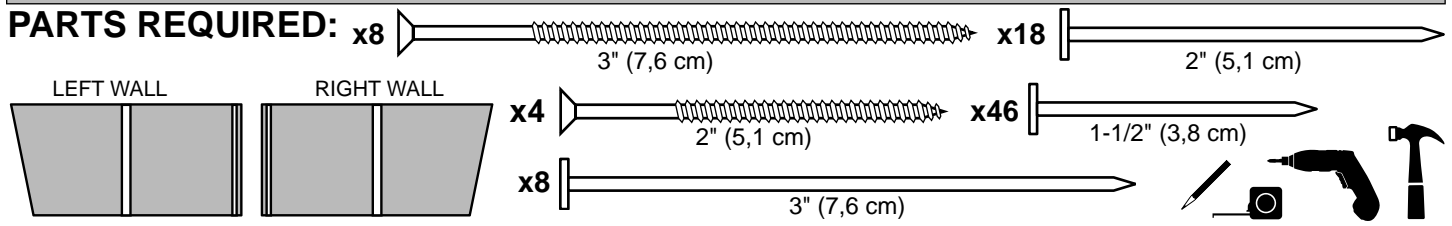
- 2 Nail lower edge of panel to floor frame with 2" nails spaced 6" apart.
Angle nail to hit floor frame (**Fig. B, C**).

- 3 Secure bottom plates to floor frame with 3" nails (**Fig. B**).



 **Nail 2" nails first.**

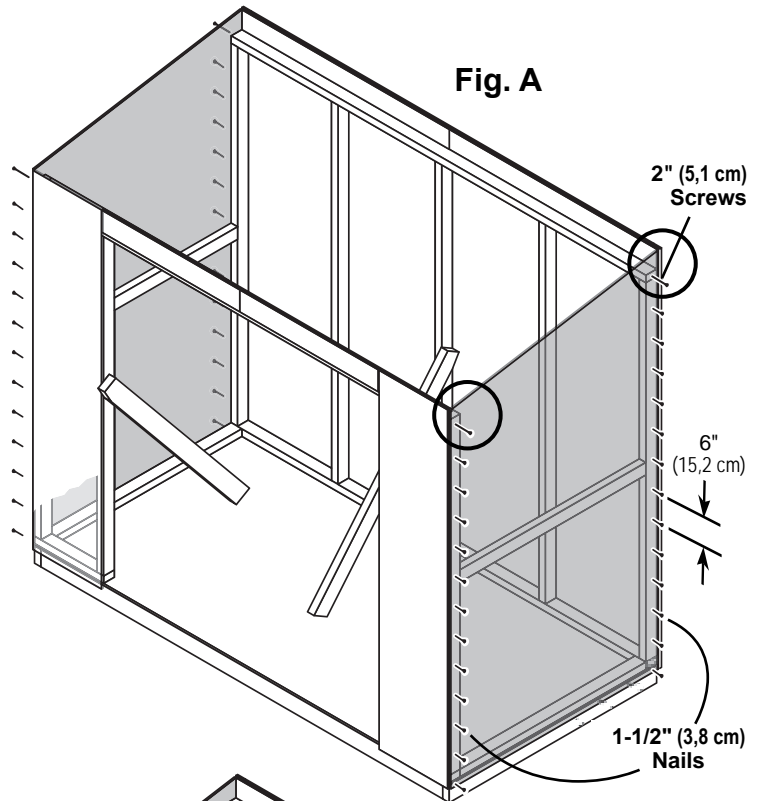
SIDE WALL INSTALLATION



BEGIN

1 Set side wall on floor (**Fig A**).
 Flush wall panel to front and back panel edges.
 Secure using (1) 2" screw through top of side wall panel into front and back wall framing, as shown.

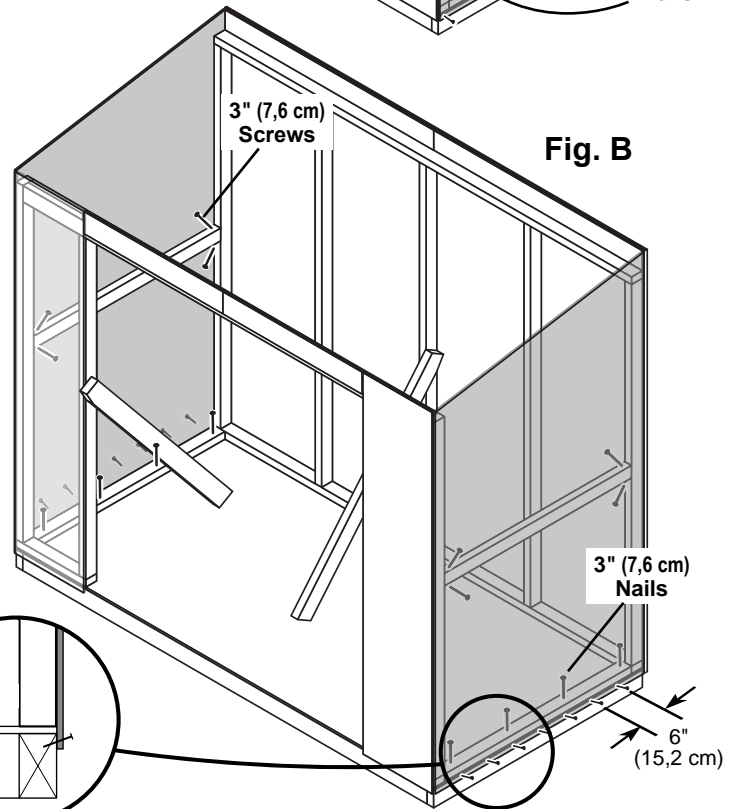
2 Secure side wall panel with 1-1/2" nails spaced 6" apart.



3 Nail lower edge of panel to floor frame with 2" nails spaced 6" apart (**Fig. B**).
 Angle nail to hit floor frame (**Fig. C**).

Secure bottom plates to floor frame with 3" nails.

4 Working inside, secure side frame to front and back studs with 3" screws.
 Angle screws as shown (**Fig. B**).



FINISH

Your walls are now standing.
 Remove temporary supports.

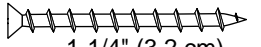
ROOF PANEL UNIT

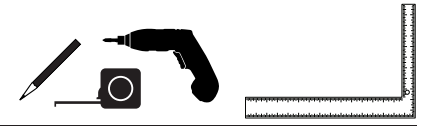
PARTS REQUIRED:

x1 **RLZ**
2 x 4 x 24-3/4" (5,1 x 10,2 x 62,9 cm)

x1 **TM**
2 x 4 x 72" (5,1 x 10,2 x 181 cm)

x1
48" x 96" (122 x 244 cm)

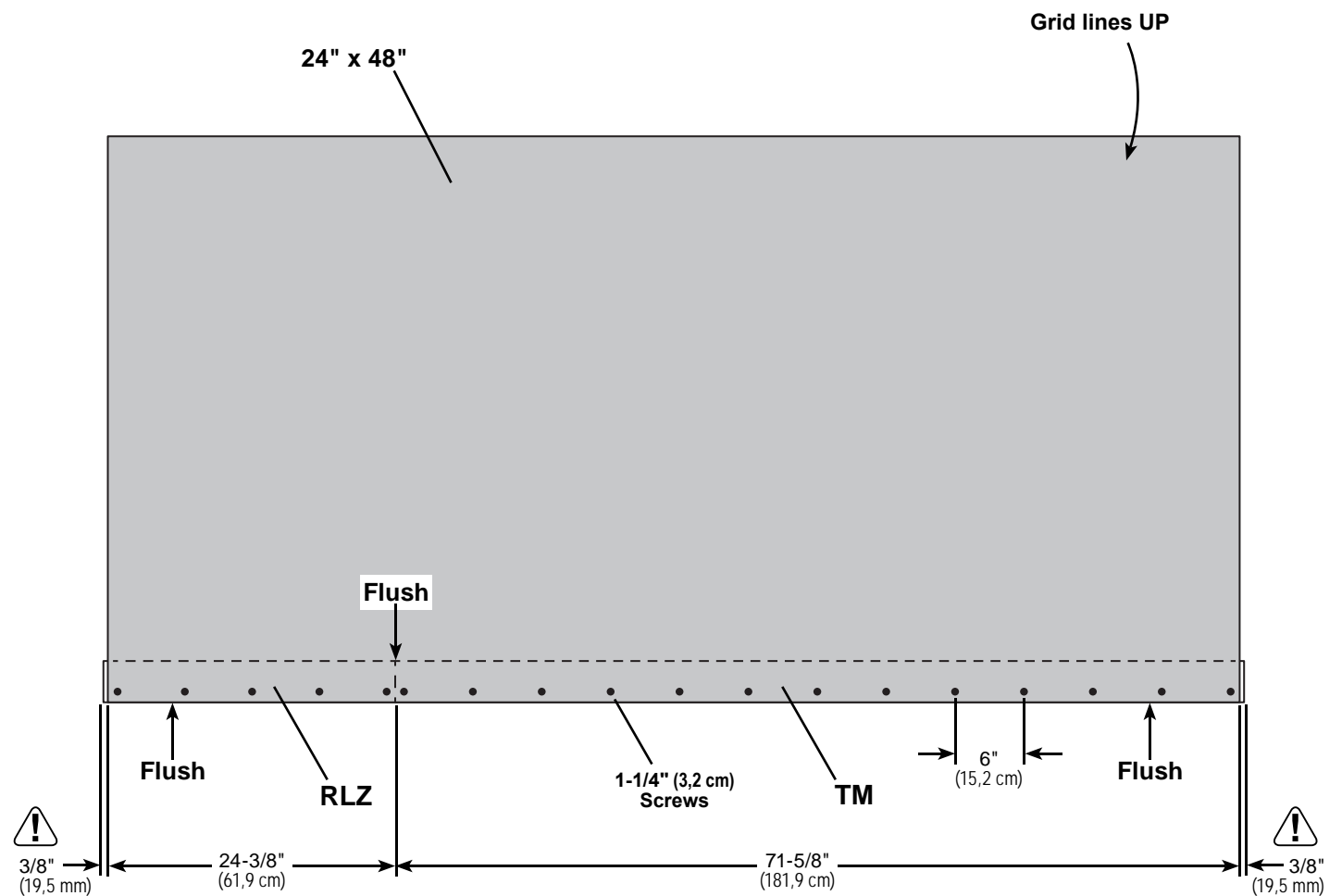
x18 
1-1/4" (3,2 cm)



✓ BEGIN

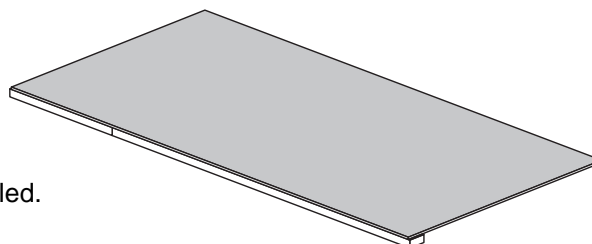
- 1 Arrange **RLZ** and **TM** flush together on a flat surface.
Place **24" x 48"** roof panel (with grid lines up) on top of parts **RLZ** and **TM**, as shown.

Secure with 1-1/4" screws spaced 6" apart along edge.



FINISH

Your roof panel unit is assembled.



RAFTERS

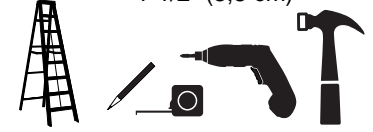
PARTS REQUIRED:

x5 **TND**
2 x 4 x 48-11/16" (5 x 10,2 x 123,7 cm)

x16 3" (7,6 cm)

x10 2" (5,1 cm)

x20 1-1/2" (3,8 cm)



✓ BEGIN

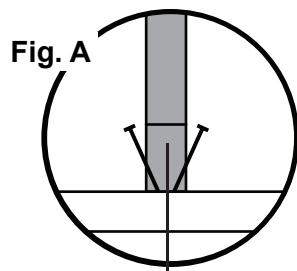
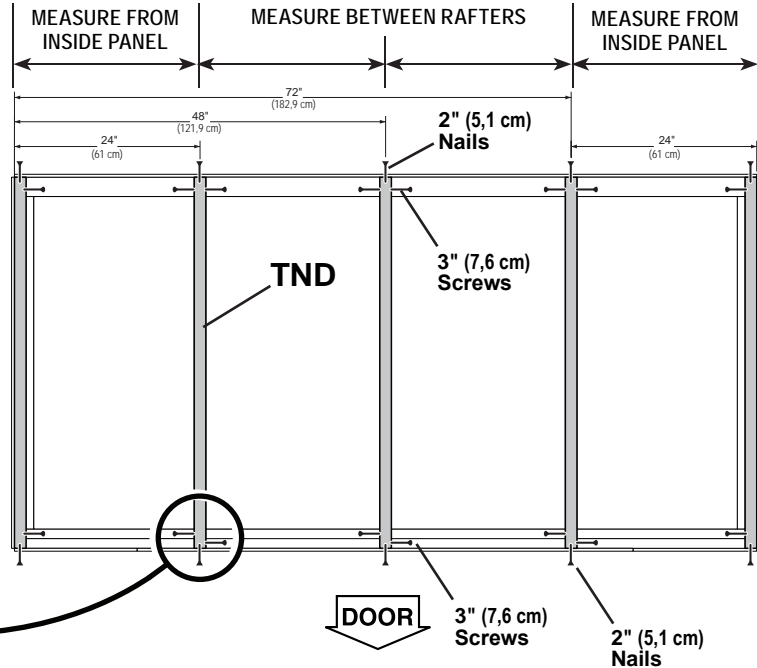
1

Measure and mark locations for rafters. Install (5) rafters **TND** centered on measurements marked.

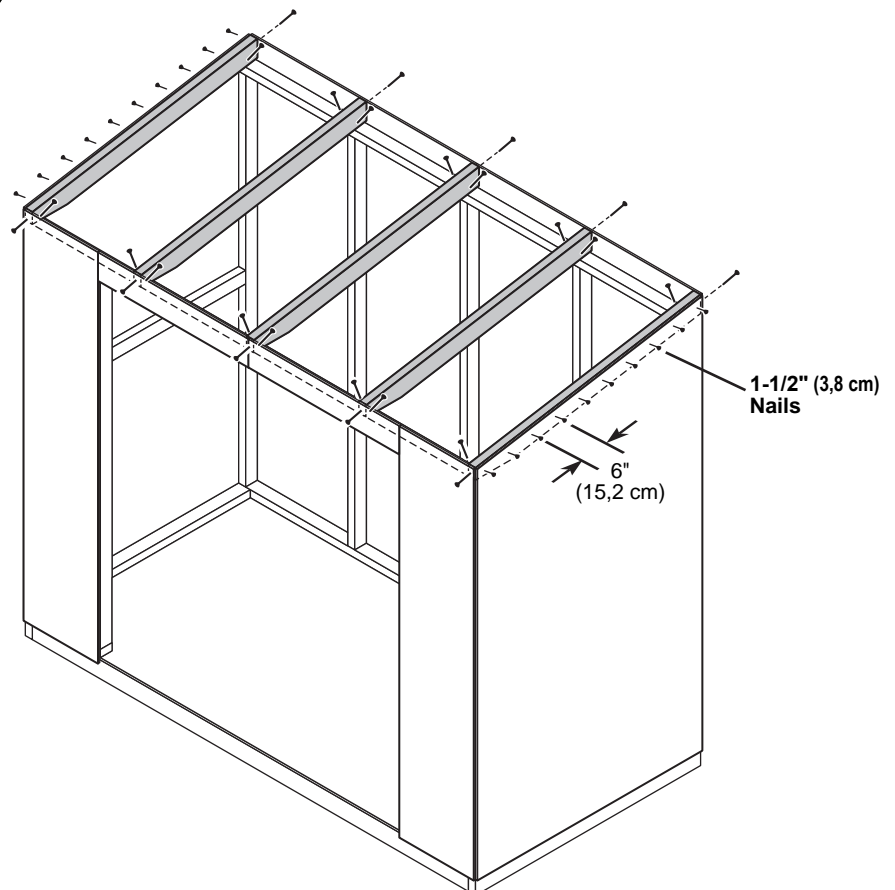
Secure rafters to front and back wall with 3" screws angled into top plates (**Fig. A**).

Secure side wall panels to end-rafters with 1-1/2" nails spaced 6" apart.

Secure rafter ends with 2" nails, as shown.



CENTER on marks




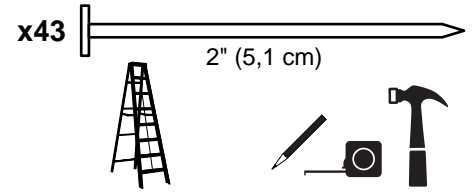
FINISH

Your rafters are now installed.

ROOF PANELS

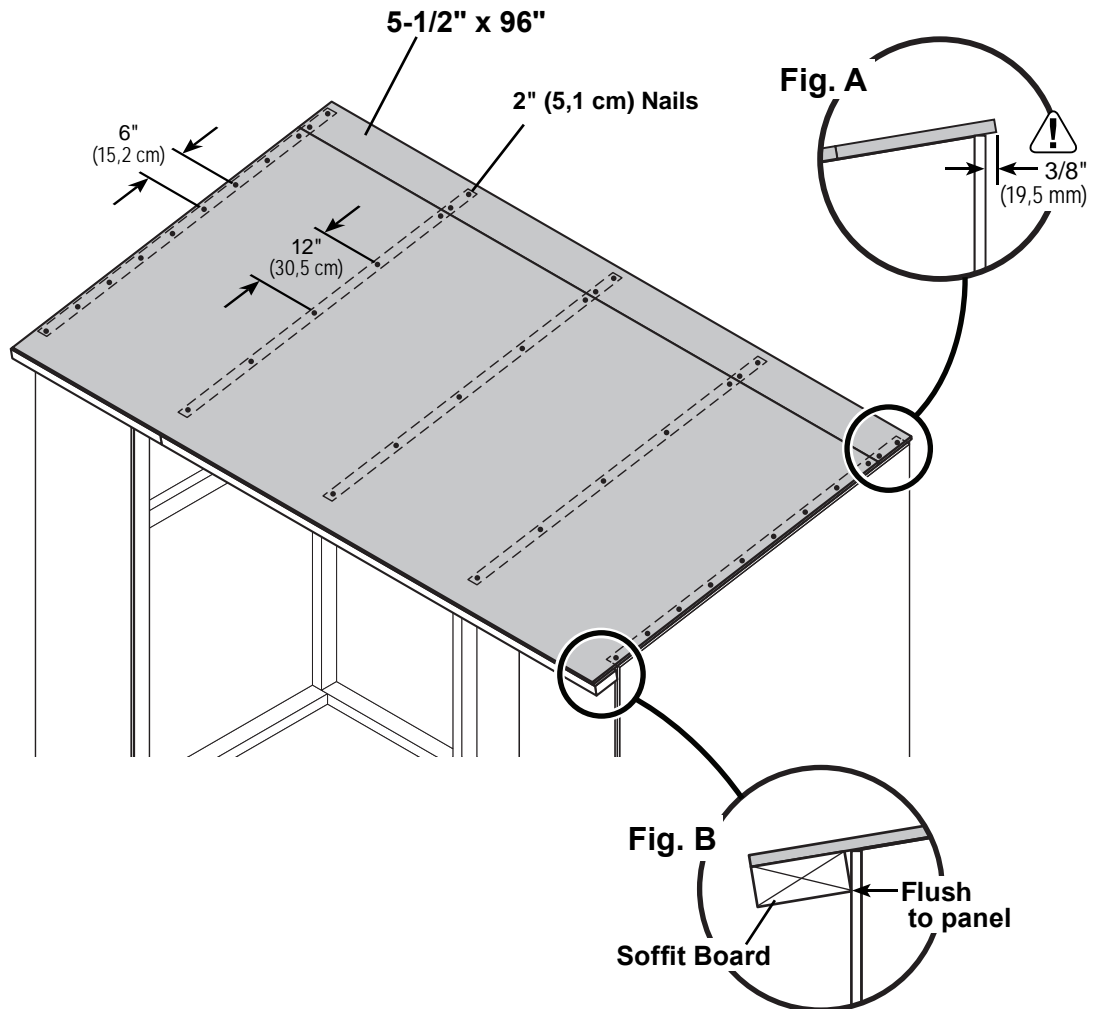
PARTS REQUIRED:

x1 
5-1/2 x 96" (14 x 244 cm)



✓ BEGIN



- 1** Place roof panel unit on rafters with soffit board edge flush to front wall panel (**Fig. B**).
Secure panel with 2" nails spaced 6" apart along edges and 12" inside panel..
- 2** Place 5-1/2" x 96" roof panel with grid lines up and flush along edge of roof panel unit.
Secure with 2" nails, as shown.
Roof panel will overhang back wall panel with a measurement of 3/8" (19,5 mm) (**Fig. A**).

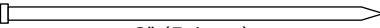


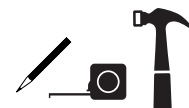
Your roof panels are now installed.

TRIM

PARTS REQUIRED:

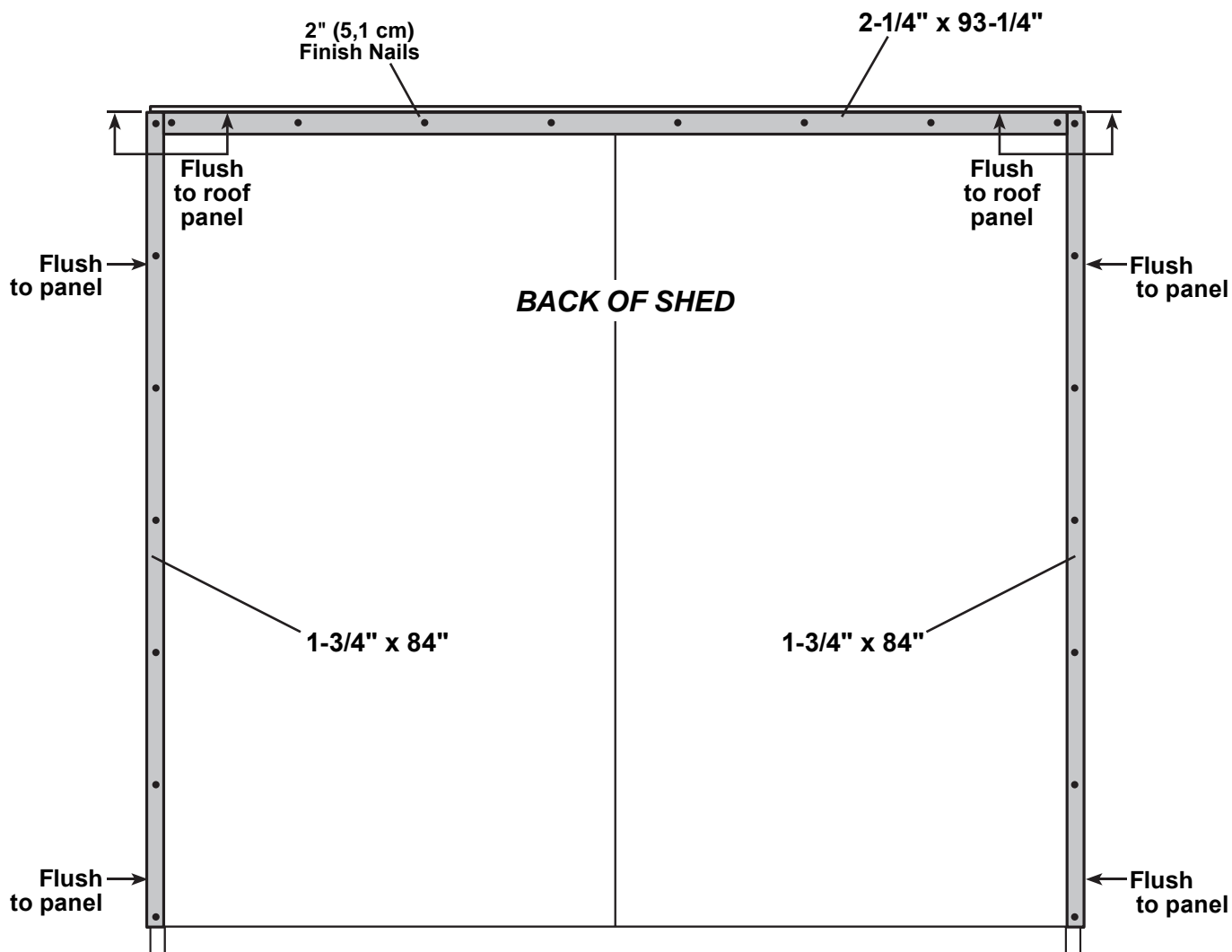
- x2 
3/8 x 1-3/4 x 84" (1 x 4,4 x 213,4 cm)
- x1 
3/8 x 2-1/4 x 93-1/4" (1 x 5,7 x 236,9 cm)

x22 
2" (5,1 cm)



✓ BEGIN

- 1 Install right and left **1-3/4" x 84"** corner trim flush to side wall panels and flush to roof panel.
Secure each trim with (7) 2" finishing nails equally spaced.
- 2 Install **2-1/4" x 93-1/4"** upper trim between corner trim.
Secure with (8) 2" finishing nails equally spaced.



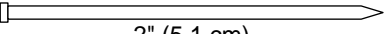
The back trim of your shed is now installed.

TRIM

PARTS REQUIRED:

x1 **YSR**
2 x 3-1/2 x 54-9/16" (5,1 x 8,9 x 138,6 cm)

x1 **YSL**
2 x 3-1/2 x 54-9/16" (5,1 x 8,9 x 138,6 cm)

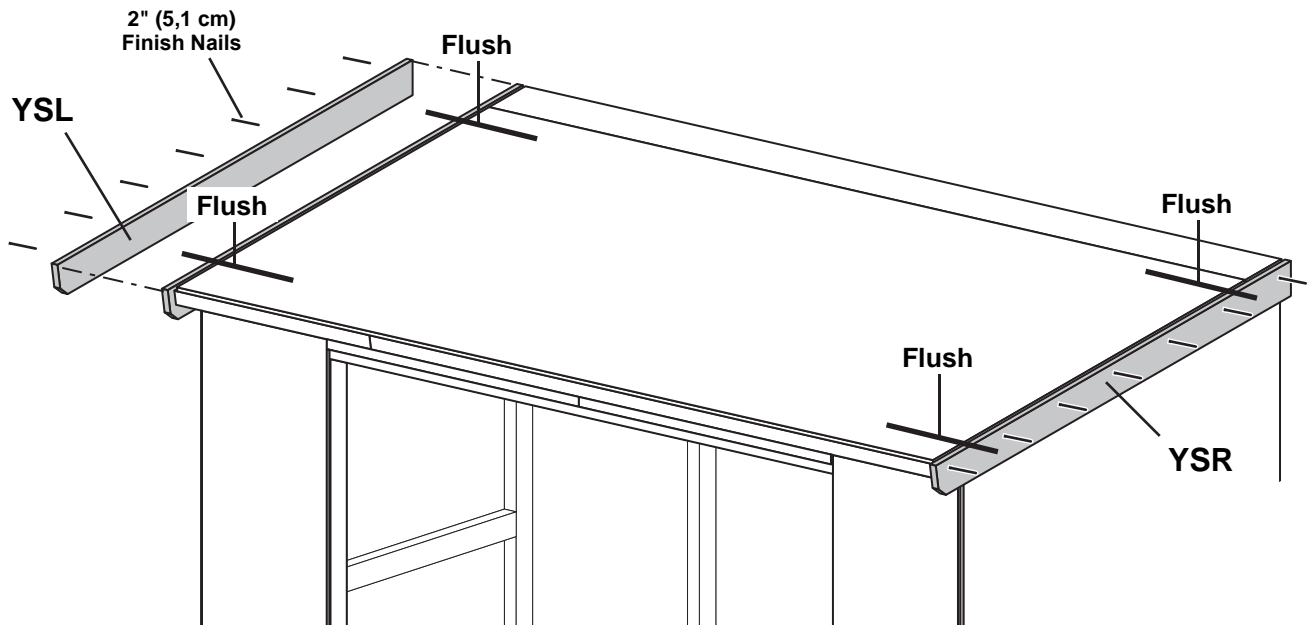
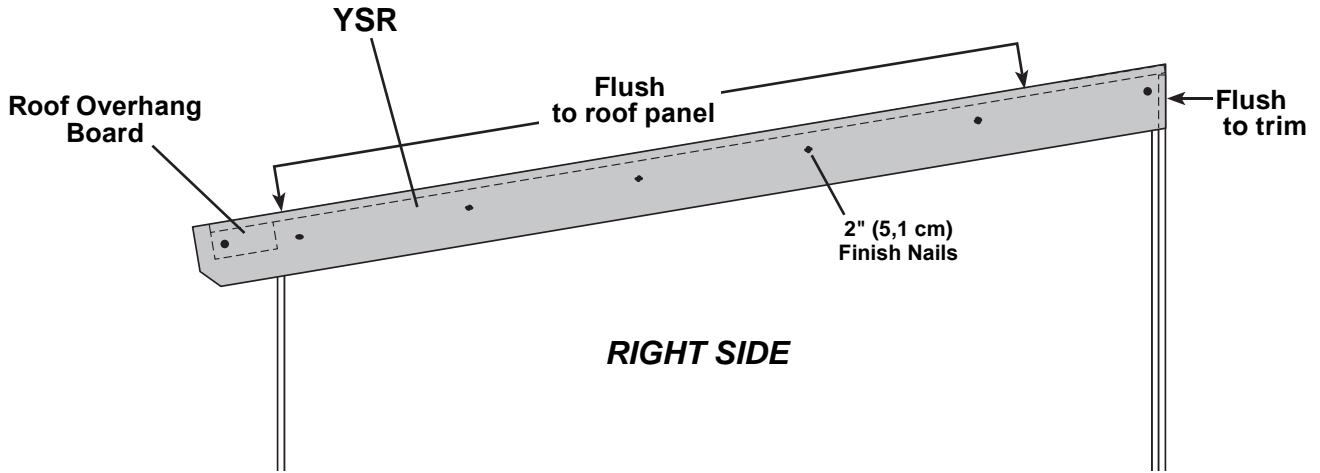
x14  2" (5,1 cm)



✓ BEGIN

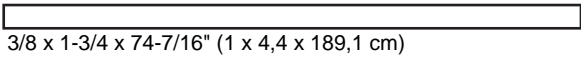
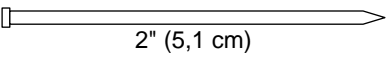
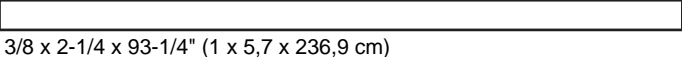
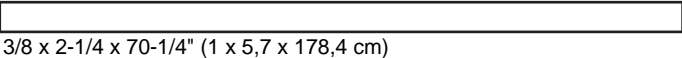
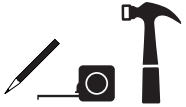
1 Install **YSR** and **YSL** gable trim flush to back wall trim and flush to roof panel.

Secure each trim with (6) 2" finishing nails equally spaced and (1) finishing nail in roof overhang.



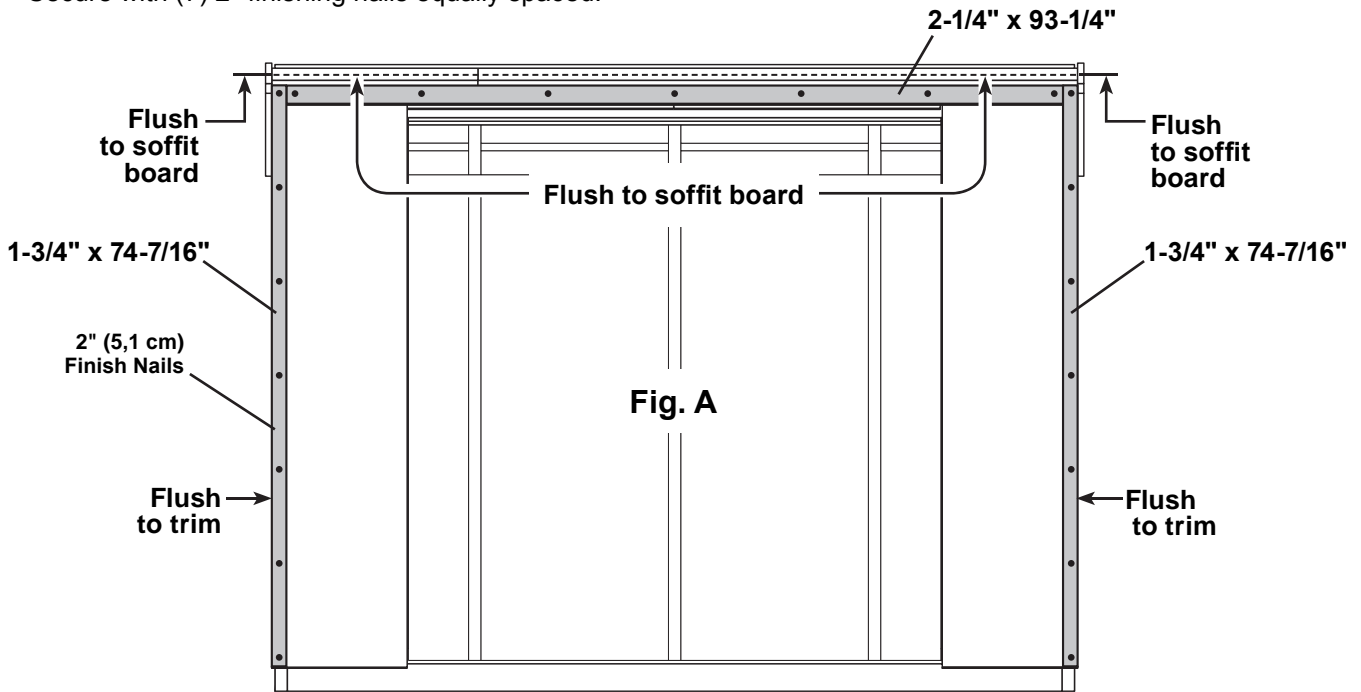
Your gable trim is now installed.

TRIM

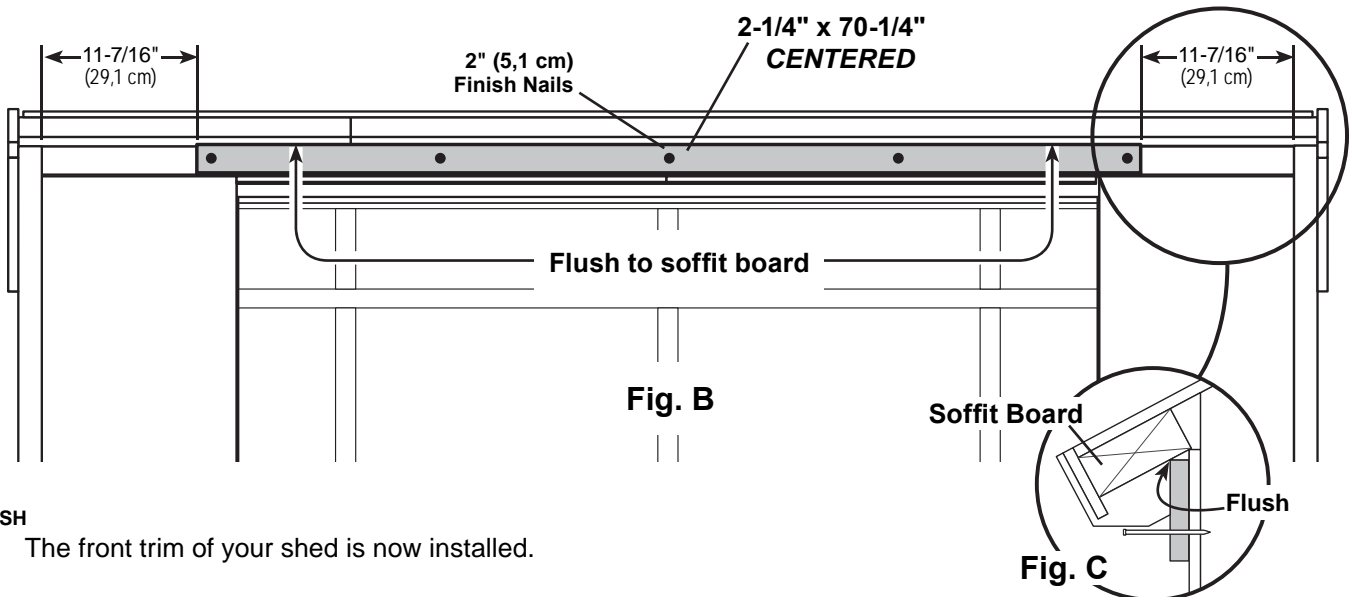
- PARTS REQUIRED:** x2  x26 
- x1 
 3/8 x 2-1/4 x 93-1/4" (1 x 5,7 x 236,9 cm)
- x1 
 3/8 x 2-1/4 x 70-1/4" (1 x 5,7 x 178,4 cm)
- 

BEGIN

- 1 Install right and left 1-3/4" x 74-7/16" corner trim flush to side wall panels and flush to soffit board (Fig. C). Secure each trim with (7) 2" finishing nails equally spaced.
- 2 Install 2-1/4" x 93-1/4" upper trim between corner trim (Fig. A) and flush to soffit board (Fig. B, Fig. C). Secure with (7) 2" finishing nails equally spaced.



- 3 Install 2-1/4" x 70-1/4" over door trim centered and flush to soffit board (Fig. B, Fig. C). Secure with (5) 2" finishing nails equally spaced.



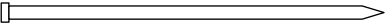
The front trim of your shed is now installed.

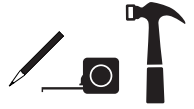
TRIM

PARTS REQUIRED:

x1 **CYZ**
19/32" x 2-1/2 x 24-3/4" (1,5 x 6,3 x 62,9 cm)

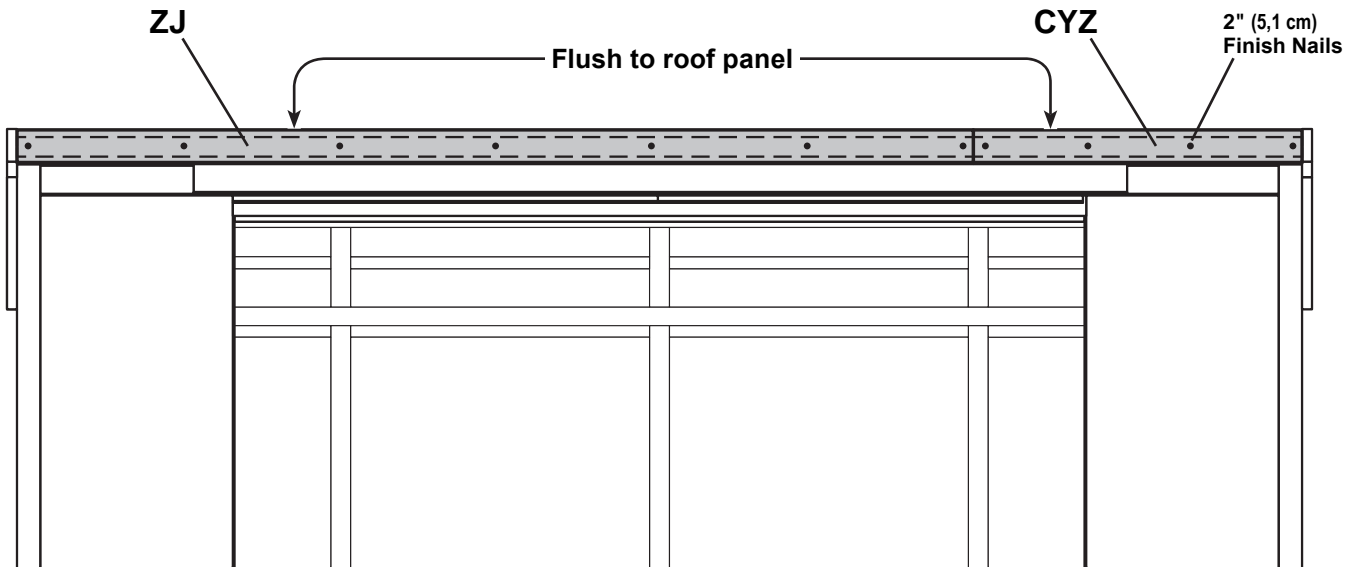
x1 **ZJ**
19/32" x 2-1/2 x 72" (1,5 x 6,3 x 182,9 cm)

x11  2" (5,1 cm)



✓ BEGIN

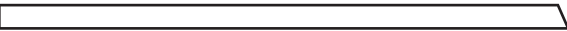



- 1 Install **CYZ** and **ZJ** fascia between the gable trim and flush to top of roof panel.
Secure trim with 2" finishing nails equally spaced.

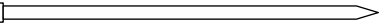


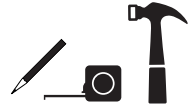
Your fascia trim is now installed.

TRIM

PARTS REQUIRED:

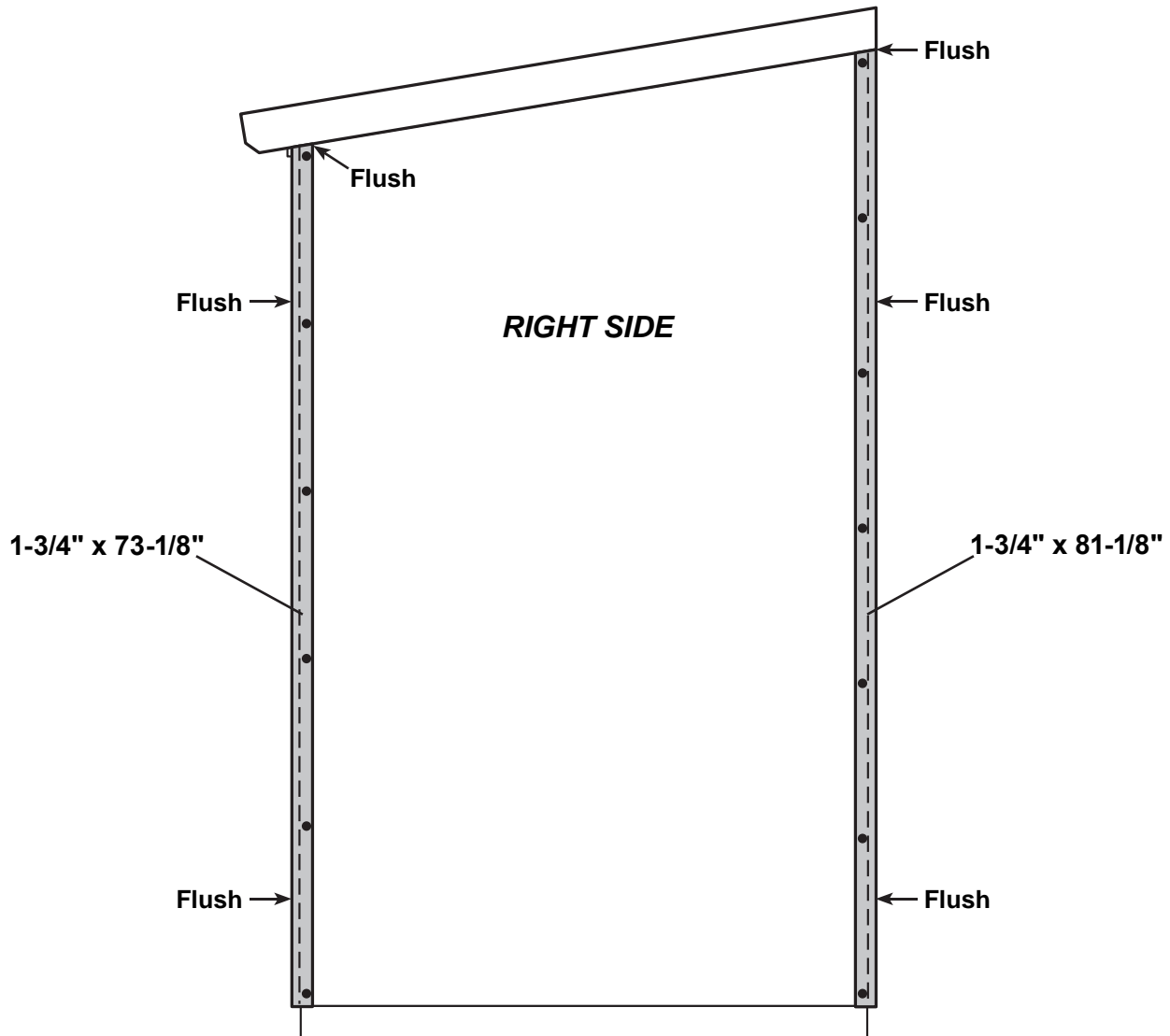
- x1  3/8 x 1-3/4 x 73-1/8" (1 x 4,4 x 185,7 cm)
- x1  3/8 x 1-3/4 x 73-1/8" (1 x 4,4 x 185,7 cm)
- x1  3/8 x 1-3/4 x 81-1/8" (1 x 4,4 x 206,1 cm)
- x1  3/8 x 1-3/4 x 81-1/8" (1 x 4,4 x 206,1 cm)

x26  2" (5,1 cm)



✓ **BEGIN**

- 1 Install right and left side corner trim flush to gable trim and flush to the installed front and back trim.
Secure trim with 2" finishing nails equally spaced.



 **FINISH**

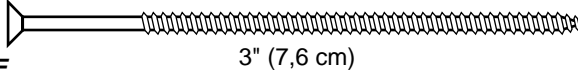
Your side corner trim is now installed.

DOORS

PARTS REQUIRED:

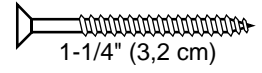
x1 **AH** TEMPORARY BRACE
19/32" x 2-1/2 x 26-5/8" (1,5 x 6,3 x 67,6 cm)

x4



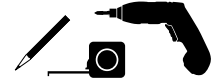
3" (7,6 cm)

x2



1-1/4" (3,2 cm)

x1 **OO** TEMPORARY BRACE
69" (175,3 cm) Door Stiffener

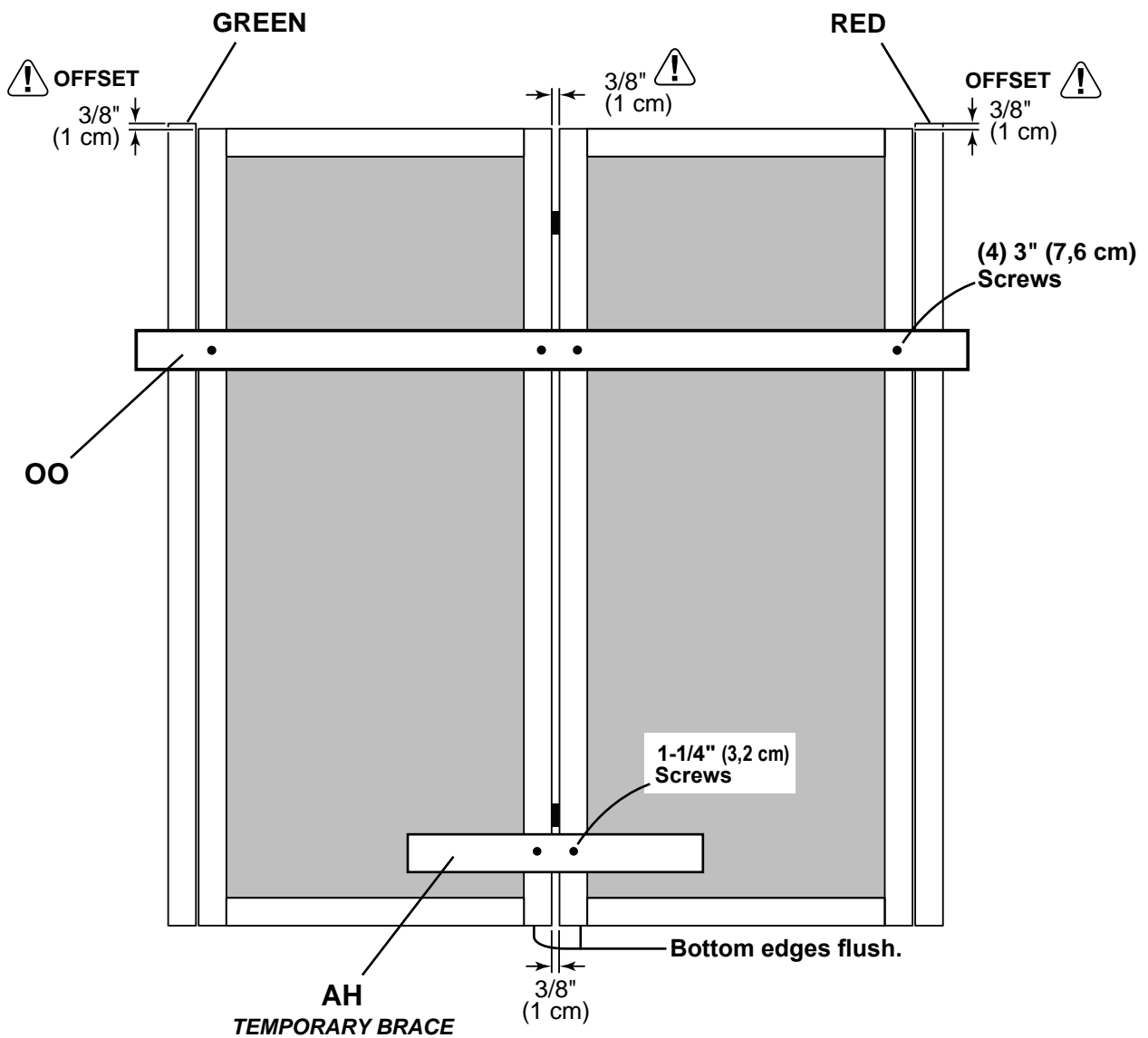


✓ **BEGIN**

1 Place doors on flat surface. **3/8" offset is to top.**


Look for red (right) and green (left) on hinge board.

Attach temporary supports **OO** and **GAA** as shown.


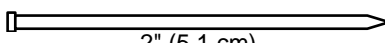


DOORS

PARTS REQUIRED:

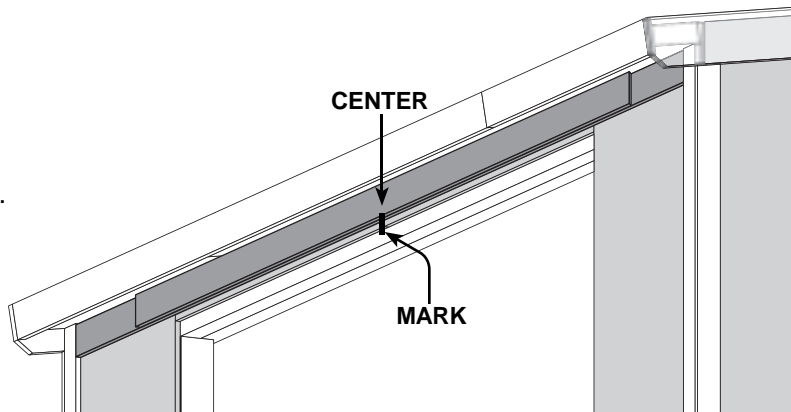
x1 
3/8 x 2-1/4 x 70-1/4" (1 x 5,7 x 178,4 cm)

x1  **OO TEMPORARY BRACE**
69" (175,3 cm) Door Stiffener

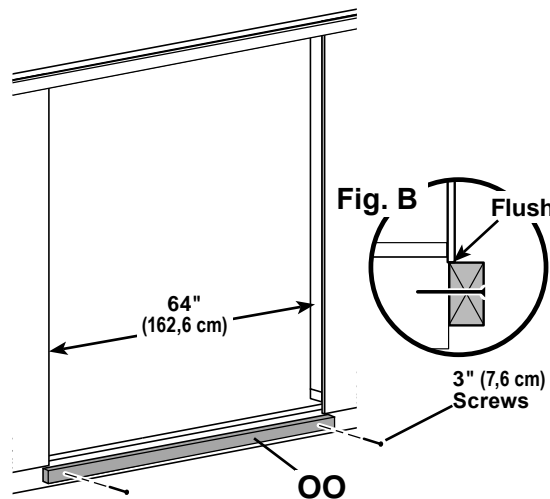
x12 
x7 
2" (5,1 cm)



2 Mark the center of the 64" door opening.



3 Install temporary brace **OO** flush under siding. Secure with (2) 3" screws (**Fig. B**).

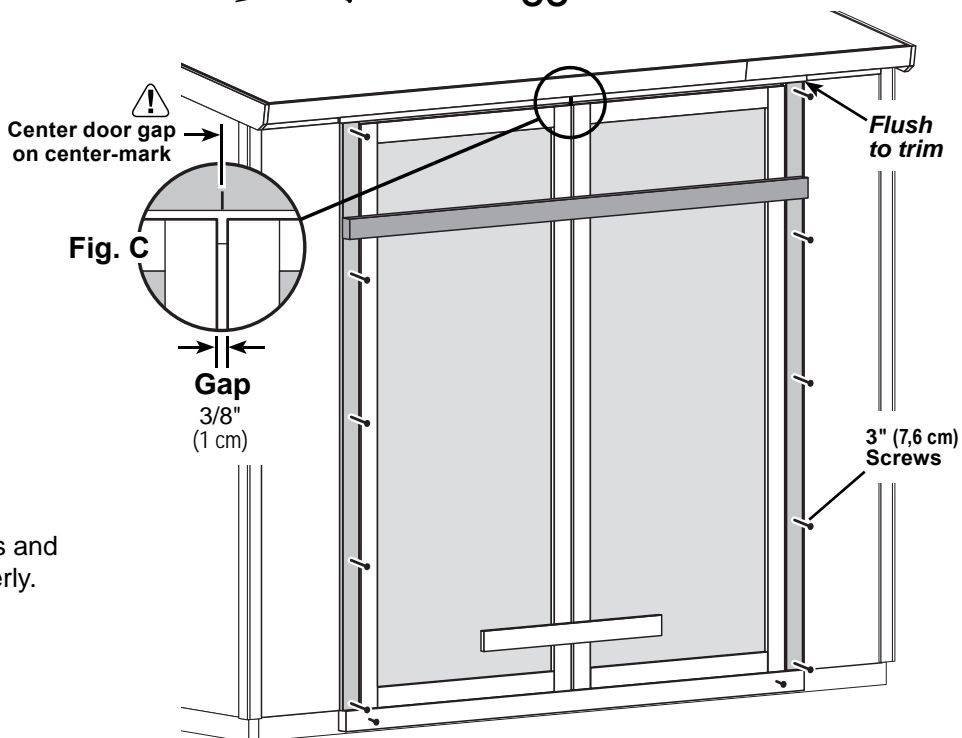


3 Center doors on mark as shown (**Fig. C**).

Ensure the door hinge boards are flush to the over door trim.

Secure the door hinge boards to door framing with 3" screws.

Remove temporary door supports and ensure that the doors open properly.



Your doors are now installed.

DOOR

PARTS REQUIRED:

x4 **AH**
 19/32" x 2-1/2 x 26-5/8" (1,5 x 6,3 x 67,6 cm)

x1 **64" Metal Threshold**
 3/4" (1,9 cm) x11
 Bagged separately / special coating

x48 **3/4" (1,9 cm)**



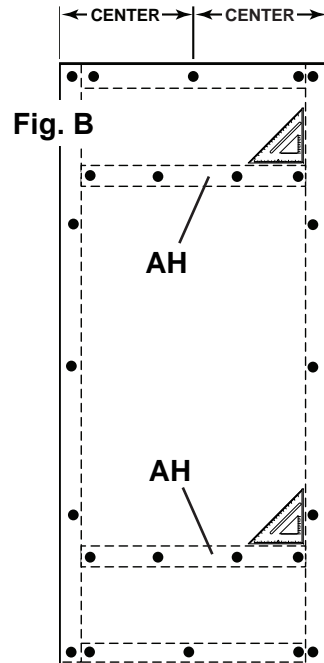
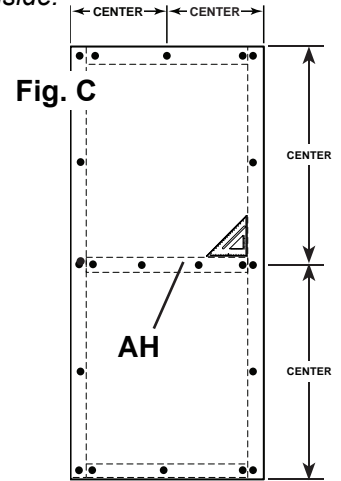
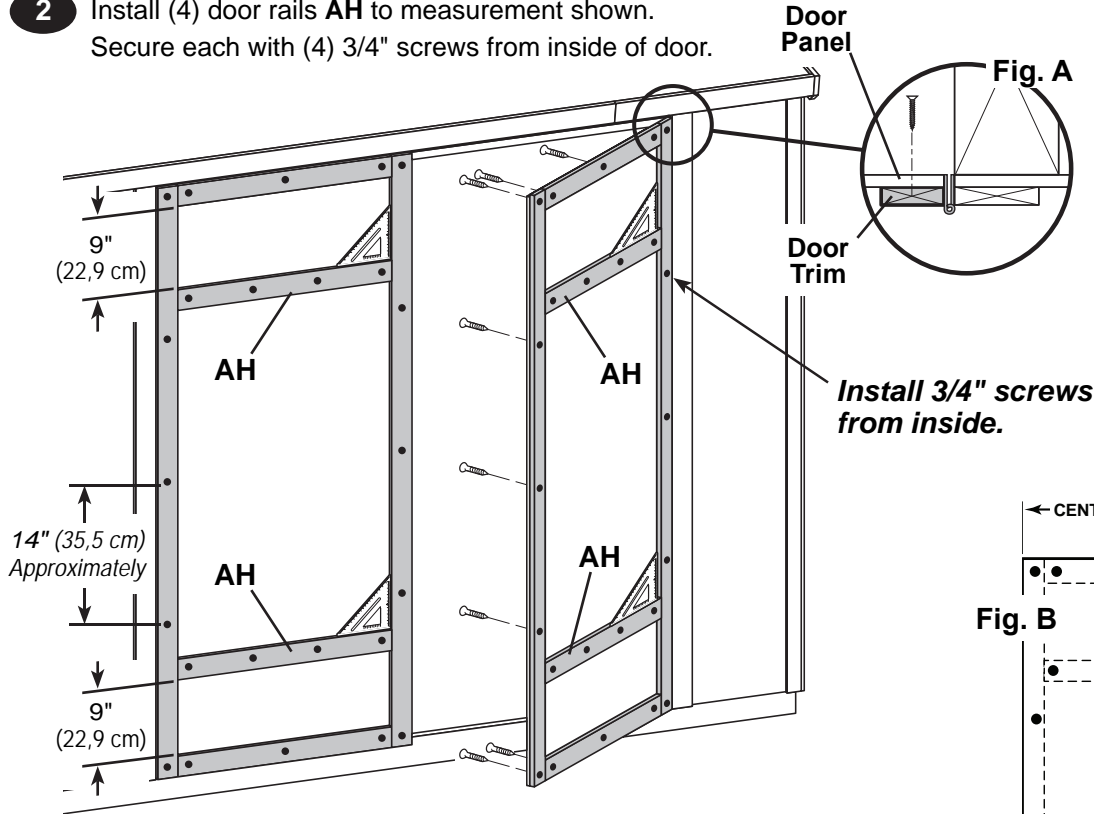
Choose from 2 optional designs for your doors.

✓ BEGIN

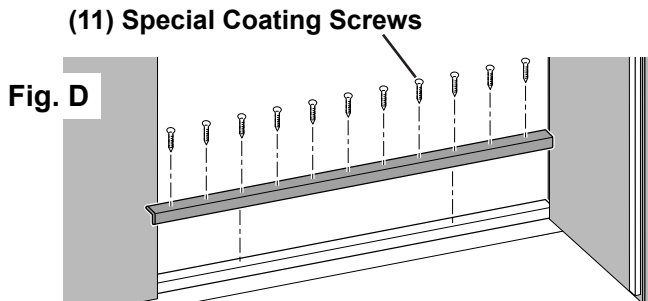
- 1** Reinforce the door trim with 3/4" screws through door panel into trim (**Fig. A**).
 Locate screws as shown (**Fig. B**).

*If you prefer a single trim rail style, install (1) AH centered and square on each door (**Fig. C**).
 Secure AH with screws from inside.*

- 2** Install (4) door rails **AH** to measurement shown.
 Secure each with (4) 3/4" screws from inside of door.



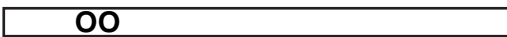
- 4** Center metal threshold between doors.
 Secure with (11) 3/4" special coating screws into floor (**Fig. D**).

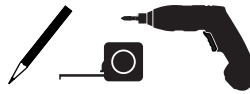



Your door trim and threshold are now installed.

DOOR STIFFENERS

PARTS REQUIRED:

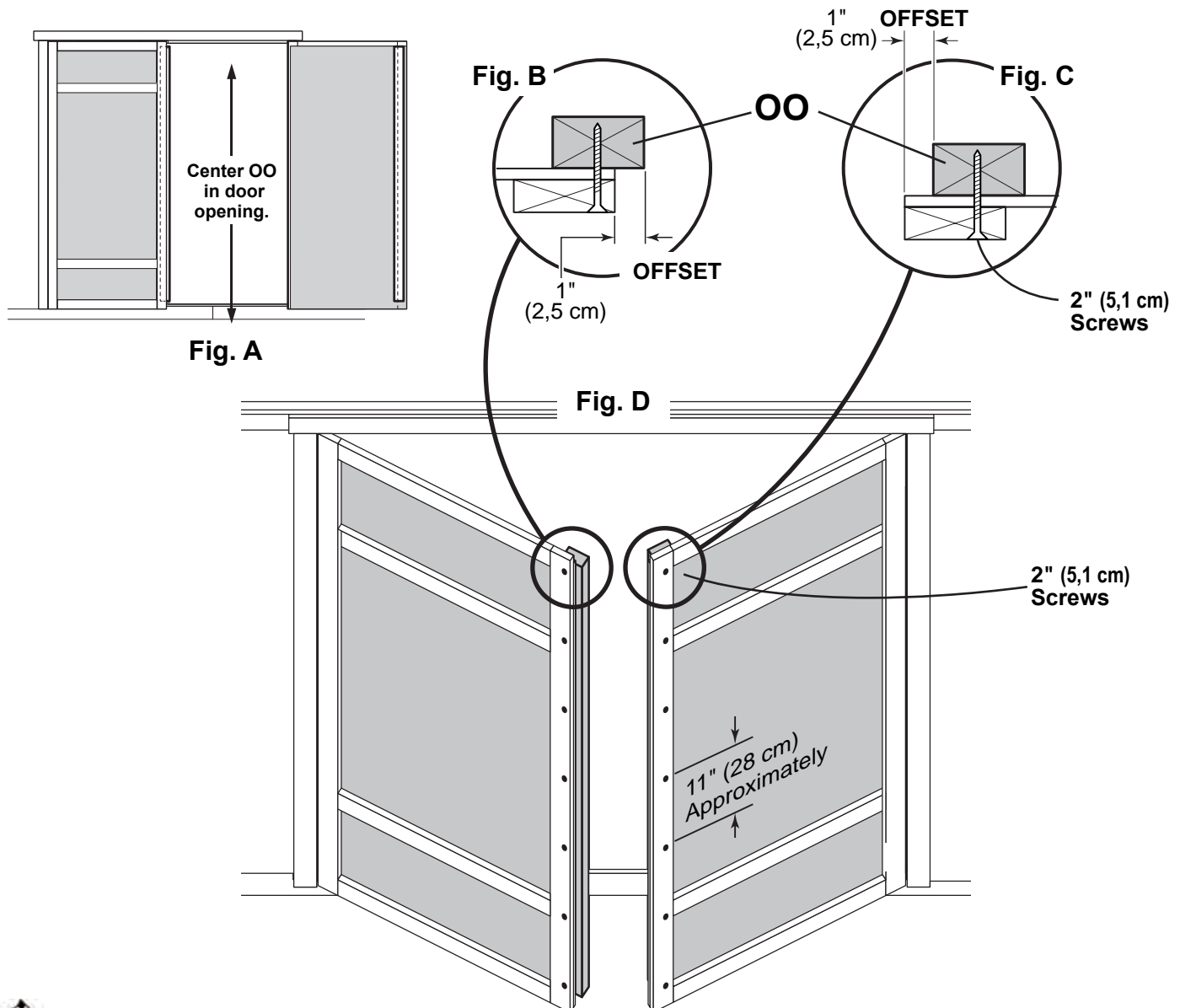
x2  **OO**
69" (175,3 cm) Door Stiffener



x14 
2" (5,1 cm)

✓ BEGIN

- 1 With left door closed, center **OO** vertically on the left door in the door opening (**Fig. A**).
OO will offset the left door 1" *-OUT-* past the door trim (**Fig. B**).
Secure **OO** with (7) 2" screws through outside trim into **OO** (**Fig. D**).
- 2 On the right door, center **OO** vertically in door opening (**Fig. A**).
OO will offset the right door 1" *-IN-* from the door trim (**Fig. C**).
Secure **OO** with (7) 2" screws through outside trim into **OO** (**Fig. D**).



Your door stiffeners are now installed.

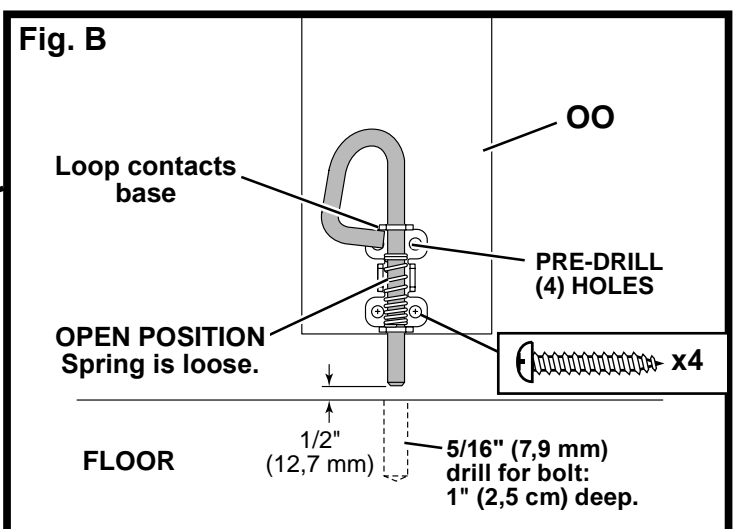
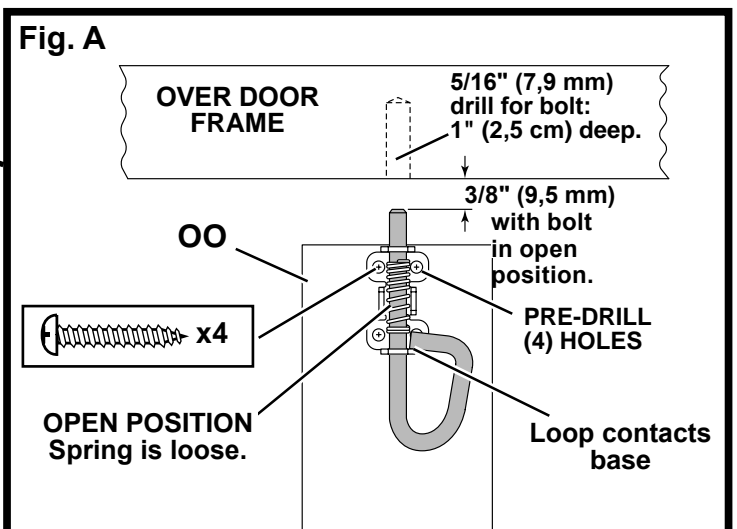
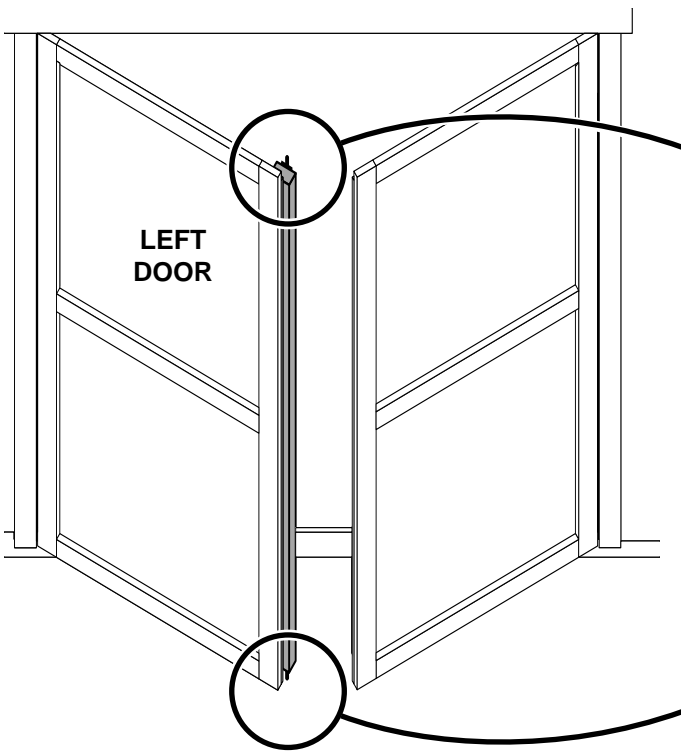
DOOR HARDWARE

PARTS REQUIRED:



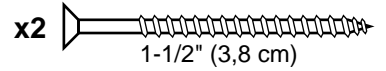
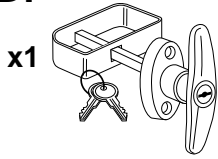
✓ BEGIN

- 1** Place bolt on **OO** in open position with bolt end 3/8" (9,5 mm) down from frame. Bolt is open when loop is contacting base (**Fig A**).
- 2** Mark and pre-drill holes for screws. Install bolt with screws supplied.
Drill 5/16" (7,9 mm) hole deep enough for bolt to slide into.
- 3** Place bolt on **OO** in open position with bolt end 1/2" (12,7 mm) up from floor. Bolt is open when loop is connecting base (**Fig. B**).
- 4** Mark and pre-drill holes for screws. Install bolt with screws supplied.
Drill 5/16" (7,9 mm) hole deep enough for bolt to slide into.

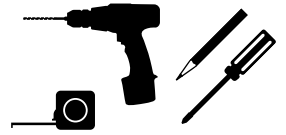


DOOR HARDWARE

PARTS REQUIRED:



3/8" (10,9 cm) Drill Bit
1/4" (0,6 cm) Drill Bit

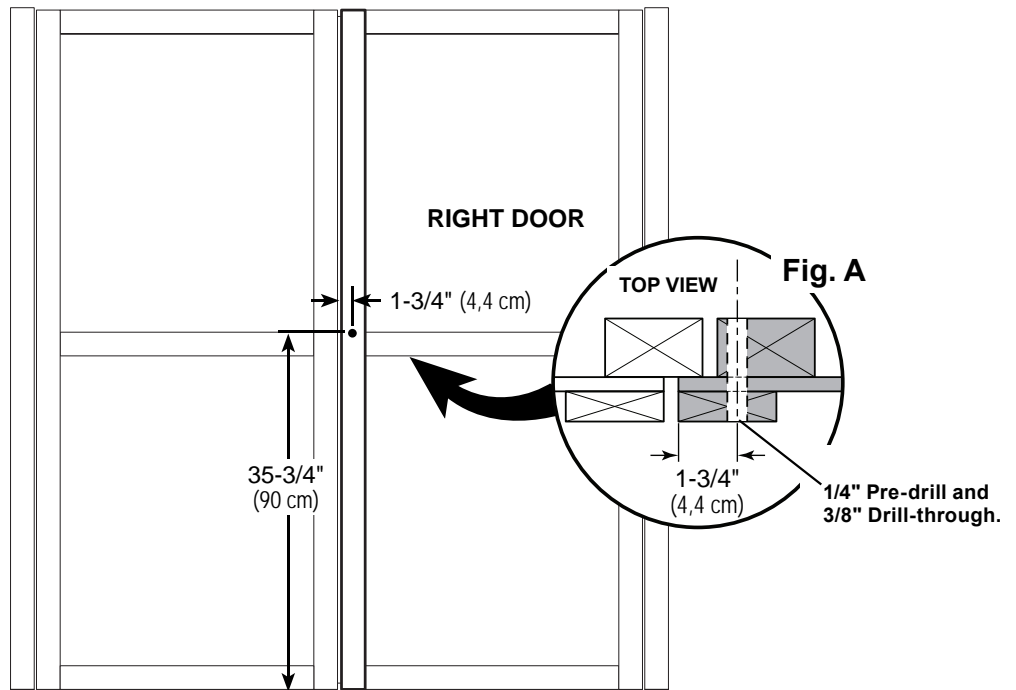


5 Measure and mark location of hole on outside of right door as shown (**Fig. A**). Pre-drill hole with 1/4" drill.

Re-drill hole with 3/8" drill.

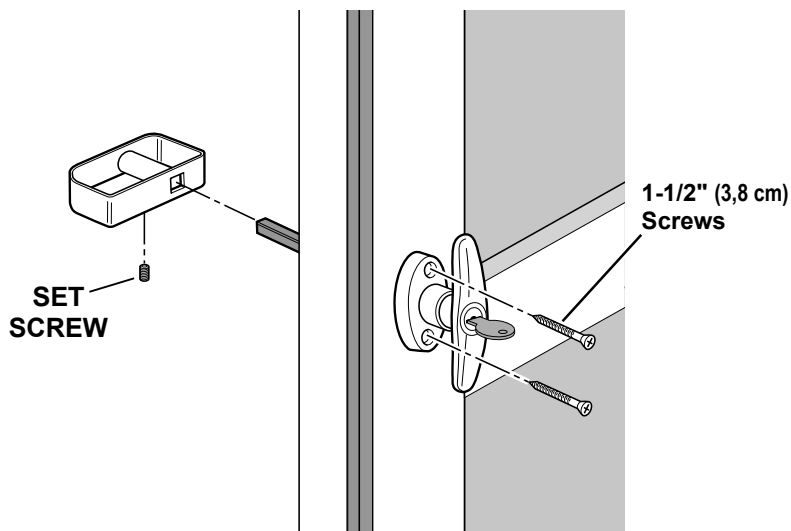


Keep drilled hole square to trim to avoid breaking edge of door stiffener.



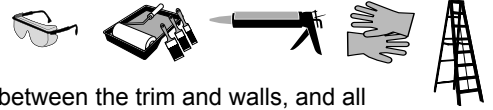
6 Insert the T-handle shaft through the pre-drilled hole and secure with 1-1/2" screws.

Attach inside handle and secure with set screw as shown.



Your spring bolts and door handle are now installed.

PAINT & CAULK - NOT INCLUDED -



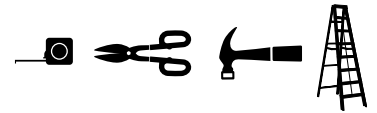
- Use acrylic latex caulk that is paintable. Caulk at all horizontal and vertical seams, between the trim and walls, and all around the door trim.
- Use a high quality exterior acrylic latex paint. When painting your building, there are a few key areas that can be easily overlooked that must be painted:
 - Bottom edge of all siding and trim
 - Inside of doors and all 4 edges

Note:

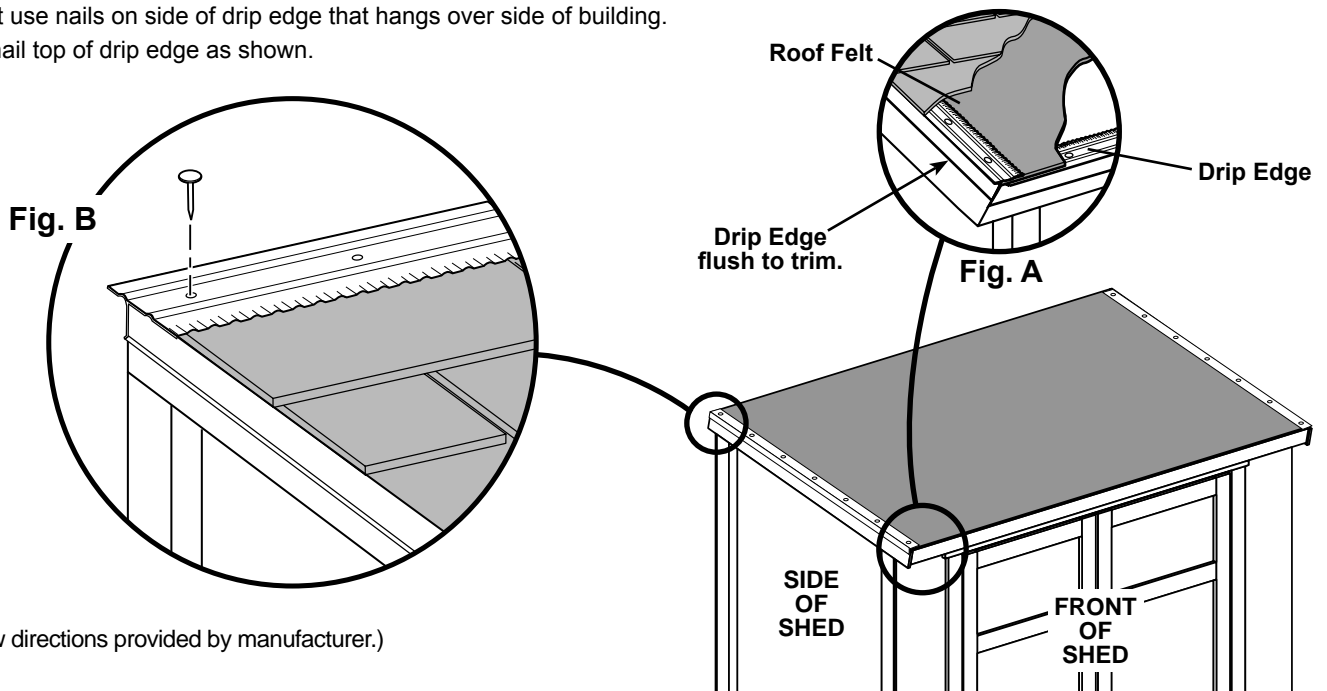
Prime all un-primed exterior wood before painting.
(Follow directions provided by manufacturer.)

DRIP EDGE - NOT INCLUDED -

 You must install drip edge to validate warranty.

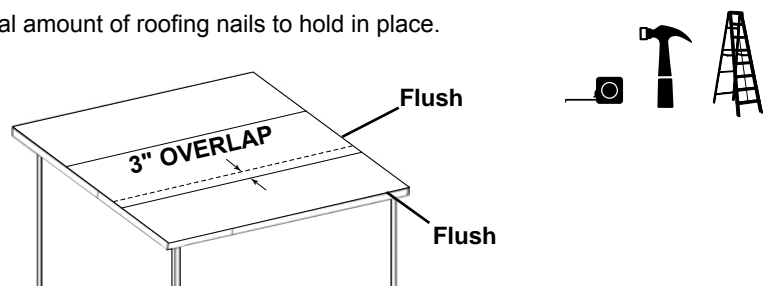


- Install drip edge on the front side first (**Fig. A**), then install felt.
- Install drip edge on sides of roof over top of felt (**Fig. A**).
- Install drip edge on back of roof after shingles are installed (**Fig. B**).
- Do not use nails on side of drip edge that hangs over side of building.
- Only nail top of drip edge as shown.



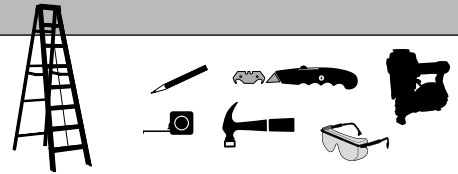
ROOF FELT - NOT INCLUDED -

- Install felt flush to all roof edges overlapping 3". Use minimal amount of roofing nails to hold in place.

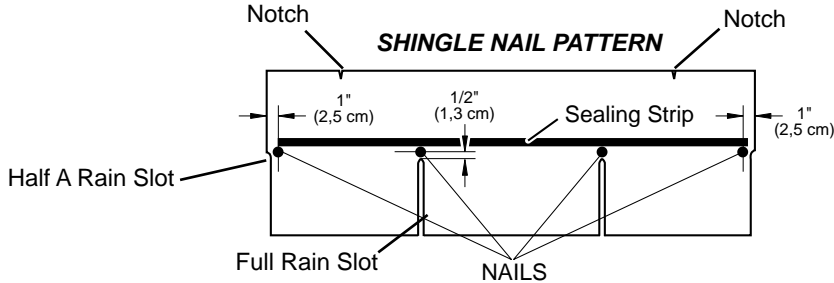


SHINGLES - NOT INCLUDED -

• Follow directions provided by manufacturer and these instructions.



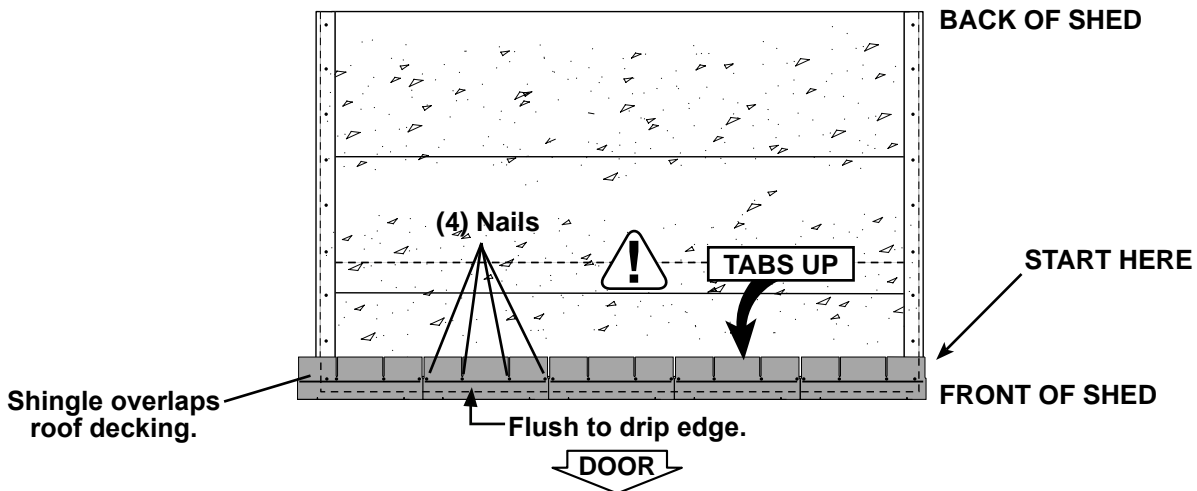
! Familiarize yourself with a 3-Tab Shingle.



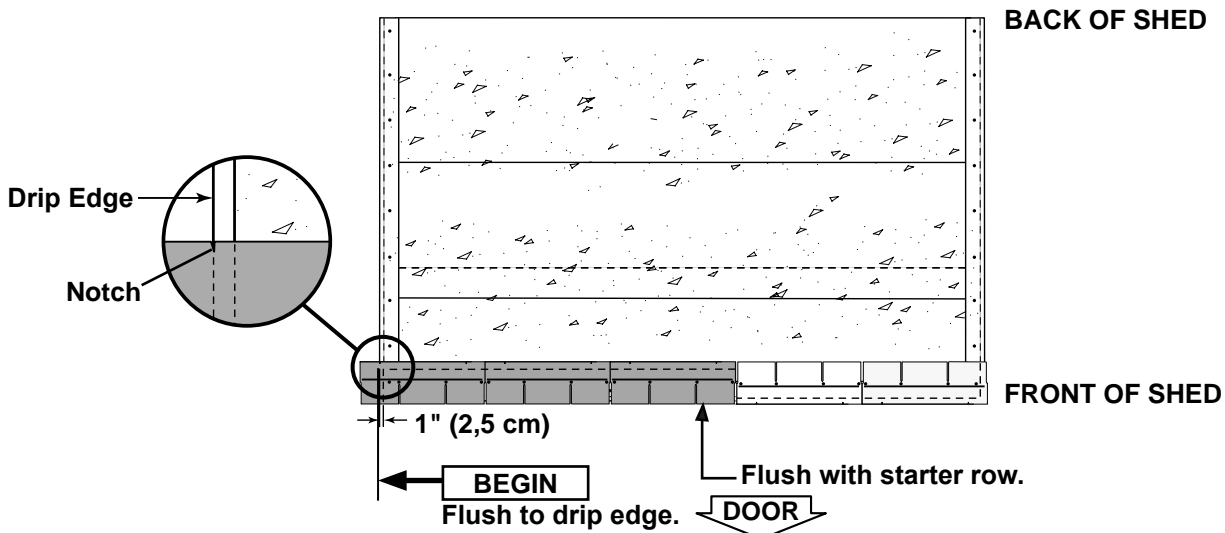
! NEVER DRIVE FASTENERS INTO OR ABOVE SEALING STRIPS.

✓ BEGIN

1 *Begin at the front of roof and work your way up to the back of roof:*
Install first starter row upside down, color up and flush to drip edge at bottom of roof panel. Use (4) nails per shingle. Starter row must be straight and level all the way across with lower edge of roof deck.

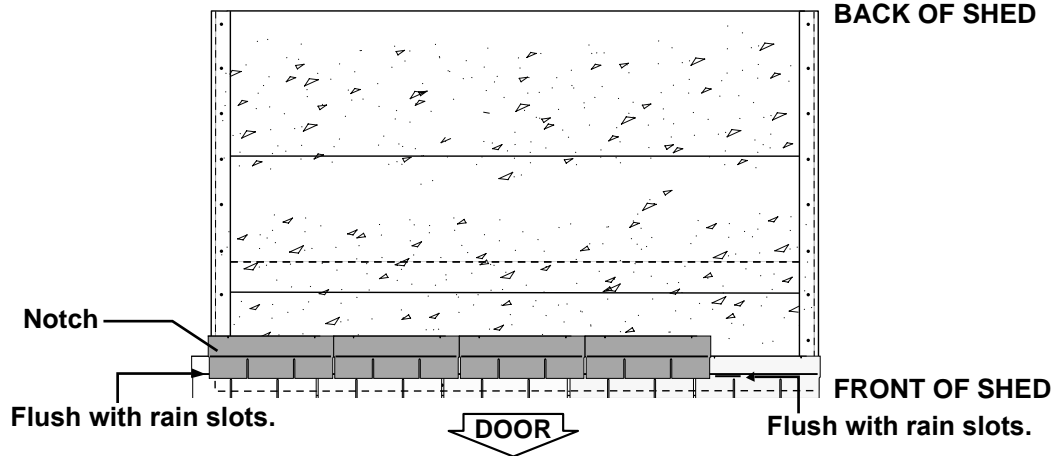


2 Begin where indicated on image below, install first row of shingles with notch flush with drip edge.

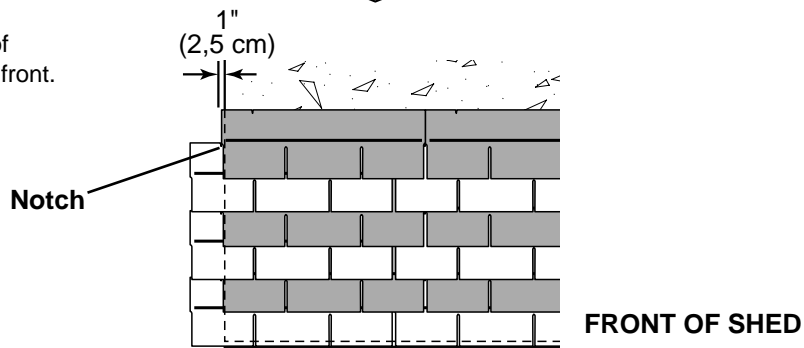


SHINGLES continued...

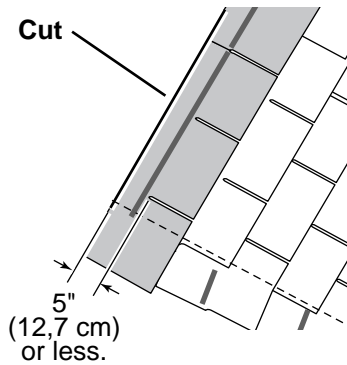
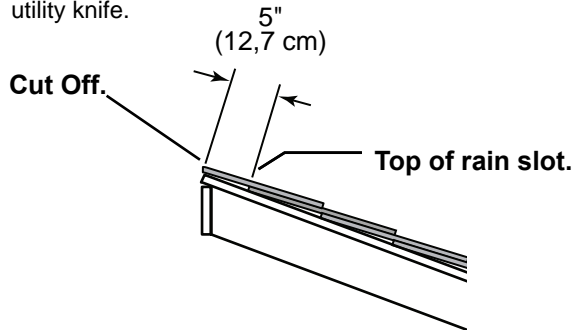
- 3** Install second row of shingles flush at top of first row's rain slots. Ensure flush to drip edge at front side, stagger each row.



- 4** Continue installing rows of shingles by staggering at front.

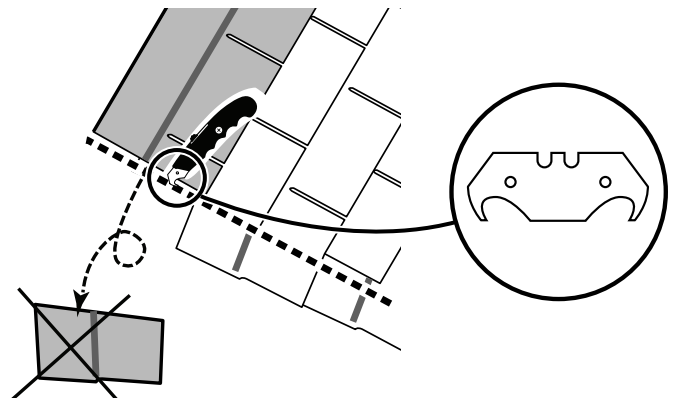


- 5** Continue installing rows of shingles to the back of the shed. At the back edge of the shed make sure there is a maximum of 5" or less to the rain slot, as shown below. If shingles overlap at back roof edge cut to roof edge with a utility knife.



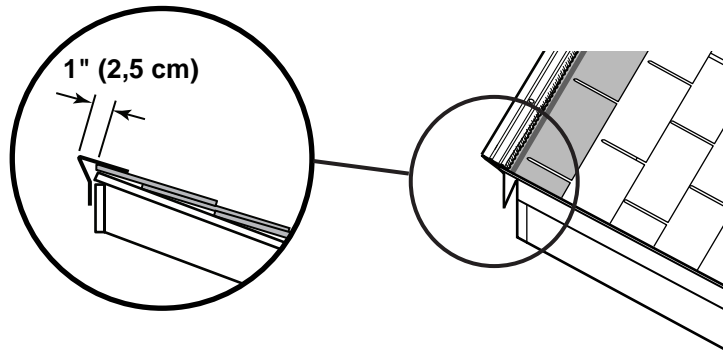
- !** • If more than 5" to rain slot you must install another row of shingles.

- 6** Using your shingle hooked blade carefully cut shingles along chalk line.

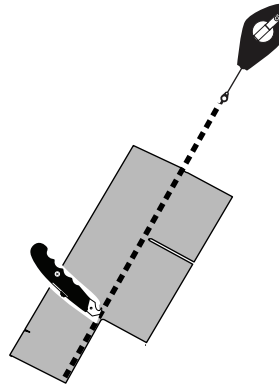


SHINGLES - DRIP EDGE

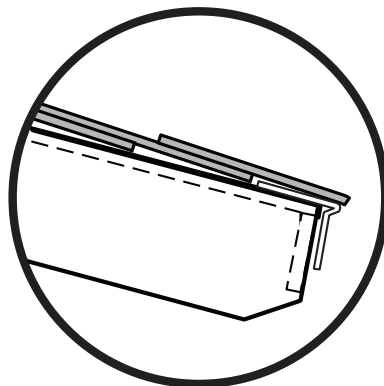
- 7 Install drip edge over top shingle row with 1" overhang over roof edge.



- 8 Using your shingle hooked blade carefully cut shingles on a flat surface along the rain slots, using a chalk line for reference.



- 9 Align remaining shingles with edge of the front drip edge.



You have finished shingling your roof.

16820-A 8' x 4' Order Form

CATEGORY	PART DESCRIPTION	PART SIZE	PART ITEM #	BUILDING QTY.	PART ID
2 X 3	Top / Bottom Plates	LUM SPF 2X3X96 #2&BTR	12115	4	PT
	Side Wall Top & Bottom Plate	2 X 3 X 43"	Q 43000000000	4	OMA
	Front Wall Bottom Plates	2 X 3 X 16" BOTTOM PLATE	Q 16000000000	2	LK
	Front Wall Blocking	2 X 3 X 13"	Q 13000000000	2	RK
	Front Door Studs/Corner Studs	2 X 3 X 68" SUPPORT	Q 68000000000	4	OT
	Back Studs	2 X 3 X 76-1/16"	Q 76010000000	5	PCA
2 X 4	Rafter	2 X 4 X 48-11/16" 9.5" L/S SCO	O 48110300095	5	TND
	Overhang "A"	2 X 4 X 24-3/4"	O 24120000000	1	RLZ
	Overhang "B"	*LUM SPF 2X4X72 #2&BTR	O 72000000000	1	TM
2 X 4 TREATED FLOOR FRAME	Floor Bonds	LUM TRTD 2 X 4 X 93 #2&BTR	P 93000000000	3	---
	Floor Joists	LUM TRTD 2 X 4 X 48 #2&BTR	P 48000000000	2	---
7/16 OSB	Roof Panel "A"	OSB 7/16" x 4' x 8'	11110	1	---
	Roof Panel "B"	7/16" OSB 5-1/2" X 96" ROOF P	C 96000508000	1	---
NO GROOVE SIDING	Backwall Panel	SIDING NGSE 3/8X4X7	11507	2	---
	Front Wall Panels	3/8" NG 15-7/8" X 76"	K 76001514000	2	---
	Over Door Panel	3/8" NG 4-1/4" x 31-15/16" PA	K 31150404000	2	---
	Over Door Trim	3/8" NG 2-1/4" X 70 1/4" OVER	K 70040204000	1	---
	Side Wall Panel RIGHT	3/8" NG LEAN2 RGT SIDEWALL	K 84004800110	1	---
	Side Wall Panel LEFT	3/8" NG LEAN2 LFT SIDEWALL	K 84004800210	1	---
	Corner Trim Back	3/8" NG 1 3/4" X 84"	K 84000112000	2	---
	Corner Trim Front	3/8" NG 1 3/4" X 74-7/16" FRO	K 74070112000	2	---
	Side Corner Trim Front RIGHT	3/8" NG 1-3/4" X 73-1/8" 9.5	K 73020112195	1	---
	Side Corner Trim Front LEFT	3/8" NG 1-3/4" X 73-1/8" 9.5	K 73020112295	1	---
	Front/Rear Upper Horizontal Trim	3/8" NG 2-1/4" X 93-1/4" TRIM	K 93040204000	2	---
	Side Corner Trim Back RIGHT	3/8" NG 1-3/4" X 81-1/8" 9.5	K 81020112195	1	---
	Side Corner Trim Back LEFT	3/8" NG 1-3/4" X 81-1/8" 9.5	K 81020112295	1	---
19/32 X 3 SMART TRIM	Horizontal Door Rails	19/32 TST 2 1/2" X 26 5/8"	UT26100208000	4	AH
	Door Trim Hinge / Front Fascia "A"	19/32 TST 2 1/2" X 72" TRIM	UT72000208000	1	ZJ
	Front Fascia "B"	19/32 TST 2 1/2" X 24-3/4" FA	UT24120208000	1	CYZ
19/32 X 4 SMART TRIM	Gable Trim RIGHT	19/32 TST 3-1/2" X 54-9/16" 9	UT54090308195	1	YSR
	Gable Trim LEFT	19/32 TST 3-1/2" X 54-9/16" 9	UT54090308295	1	YSL
PURCHASED COMPONENTS	Door Stiffener	LSL 1-1/4 X 2-1/4 X 69 PET	12715	2	OO
	Hardware Kit	H/K SCOTTSDALE	15974	1	---
	Black T-Handle	HANDLE - T 4" SHAFT & "D"	15375	1	---
	Threshold	THRESHOLD 7/8" X 1-1/2" X 63-7/8	15420	1	---
	6d Nails	NAIL 6D 2" BOX HDG BOX	15105	2	---
	10d Nails	NAIL 10D 3" BOX HDG BOX	15109	1	---
PACKAGING	Instructions		16820-A	1	---
Right Door Assembly	30081-R				
	Door Panel	NG 31 1/4" X 71 3/8" DOOR P	K 7106310400L	1	---
	Right Hinge Assembly	HINGE RIGHT (RED) 19/32x3 THIN TRIM	30121-TT	1	---
	Vertical Door Stiles	19/32 TST 2 1/2" X 71 5/8"	UT71100208000	2	GY
	Horizontal Door Rails	19/32 TST 2 1/2" X 26 5/8"	UT26100208000	2	AH
Left Door Assembly	30081-L				
	Door Panel	NG 31 1/4" X 71 3/8" DOOR P	K 7106310400L	1	---
	Left Hinge Assembly	HINGE LEFT (GREEN) 19/32x3 THIN TRIM	30131-TT	1	---
	Vertical Door Stiles	19/32 TST 2 1/2" X 71 5/8"	UT71100208000	2	GY
	Horizontal Door Rails	19/32 TST 2 1/2" X 26 5/8"	UT26100208000	2	AH

LIMITED CONDITIONAL WARRANTY*

Backyard Storage Solutions, LLC warrants the following:

1. Every product is warranted from defects in workmanship and manufacturing for 1 year.
2. All accessories, hardware and metal components are warranted for 2 years.
3. All Oriented Strand Board (OSB) is warranted for 2 years
4. Siding and Trim is warranted for 10 years.
5. Solar Shed windows are warranted for 1 year.
6. Cedar lumber is warranted for 15 years.
7. Preserved Pine is warranted for 10 years.
8. Redwood is warranted for 10 years.

Backyard Storage Solutions, LLC will repair, replace or pay for the affected part. In no event shall Backyard Storage Solutions, LLC pay the cost of labor or installation or any other costs related thereto. All warranties are from date of purchase. If a cash refund is paid on an affected part, it will be prorated from the date of purchase.

CONDITIONS

The warranty is effective only when:

1. The unit has been erected in accordance with the assembly instructions.
2. The unit has been properly shingled and painted or stained and reasonably and regularly maintained thereafter.
3. The failure occurs when the unit is owned by the original purchaser.
4. Backyard Storage Solutions, LLC has received the warranty registration card within thirty (30) days of purchase and notification of the failure in writing within the warranty period specified above.
5. Backyard Storage Solutions, LLC has had reasonable opportunity during the sixty (60) days following receipt of notification to inspect and verify the failure prior to commencement of any repair work.

REQUIREMENTS

Storage Buildings

To validate your warranty, it is necessary to properly maintain your Backyard Storage Solutions, LLC unit; shingle the roof and paint or solid-colored stain the siding using quality, 100% acrylic latex exterior product with a minimum of two (2) coats within thirty (30) days of assembly; caulk above all doors and all horizontal and vertical trim boards; paint and seal all exposed edges, sides and faces of siding/trim and OSB siding to include all exterior walls and all sides and all edges of doors.

Gazebos & Pergolas

To validate your warranty, it is necessary to properly maintain your Backyard Storage Solutions, LLC unit. This includes treating all of the exposed cedar and pine surfaces on your gazebo or pergola structure with an exterior grade wood preservative, an exterior oil-based semi-transparent stain, an acrylic latex exterior paint or an acrylic latex solid color exterior stain within 30 days of assembly and as needed thereafter to maintain your warranty.

Keep vegetation trimmed away from building and make sure siding panels and trim do not come in contact with masonry or cement. The minimum ground clearance for siding must be one half inch ($\frac{1}{2}$ inch) from concrete slab or two and one half inches ($2\frac{1}{2}$ ") from the ground when building is erected or constructed on a treated wood floor kit. Water from sprinklers must be kept off unit. In no event will Backyard Storage Solutions, LLC be responsible for any indirect, incidental, consequential or special damages nor for failure(s) that are caused by events, acts or omissions beyond our control including, but not limited to, misuse or improper assembly, improper maintenance (which eventually leads to rot or decay) and acts of God. Backyard Storage Solutions, LLC will not be held responsible for any labor costs incurred to construct your unit.

This warranty gives you certain specific rights that vary from state to state.

CLAIM PROCEDURE

To make a claim under this warranty, you can either call 1-888-827-9056 or email: customerservice@backyardproducts.com.

Please have ready the information below when you call or include the information in your email:

1. The model and size of the product.
2. A list of the part(s) for which the claim is made.
3. Proof of purchase of the Backyard Storage Solutions, LLC item, as shown on the original invoice or receipt.
4. Run code: found on exterior product label or assembly instructions enclosed in the product package.

All other inquiries can be mailed to:

Backyard Storage Solutions, LLC
Attn: Customer Service
1000 Ternes
Monroe, MI 48162

***WARRANTY TERMS MAY VARY OUTSIDE THE U.S.A.**

IMPORTANT: This is your warranty certificate.

10Y MV LDR: 3/20/2019