

16432-NGA PART 1



STOP

DO NOT RETURN TO THE STORE!

If you discover missing or damaged parts, or if you have questions about the building process, please reach out to us directly for the fastest service.

24/7 Support

help.backyardproducts.com



- Answers to frequently asked questions
- Technical assistance and how-to videos
- Submit a help request
- Request replacement parts

Business Hours

(734) 242-6900

Monday - Friday 8:00am - 6:00pm EST
Saturday - SundayClosed



Did you enjoy building your shed?

JOIN OUR TEAM

AND MAKE UP TO \$1,500/WEEK*

Call a Recruiter Today! 734-365-7000



Flexible schedule



No selling,
just building



Bonus incentives
available

*based on number of completed installations





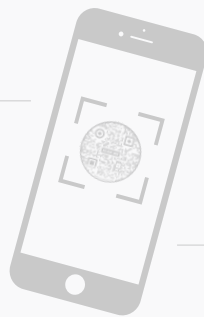
Win \$500

A new winner is selected every 2 months.

Review your product for the chance to win a **\$500 Visa Gift Card**.



How to Enter:



Open camera.
Aim. Tap.



1

Scan
QR code above.

2

Click
'write a review'

3

Find your product.
Tell us what you think.

4

Submit your review.
You'll be notified by e-mail if
you've won the \$500 gift card.

Write a Backyard Products, LLC. product review at backyardreviews.net for a chance to win a \$500 Visa gift card. No purchase necessary to enter. Must be legal U.S. resident (including DC & Puerto Rico), 18 or older to participate. Taxes on prize are responsibility of winner. Odds of winning depend on the number of eligible reviews received. Void where prohibited. For complete details and official rules, visit <https://backyardreviews.net/sweepstakes-rules>.

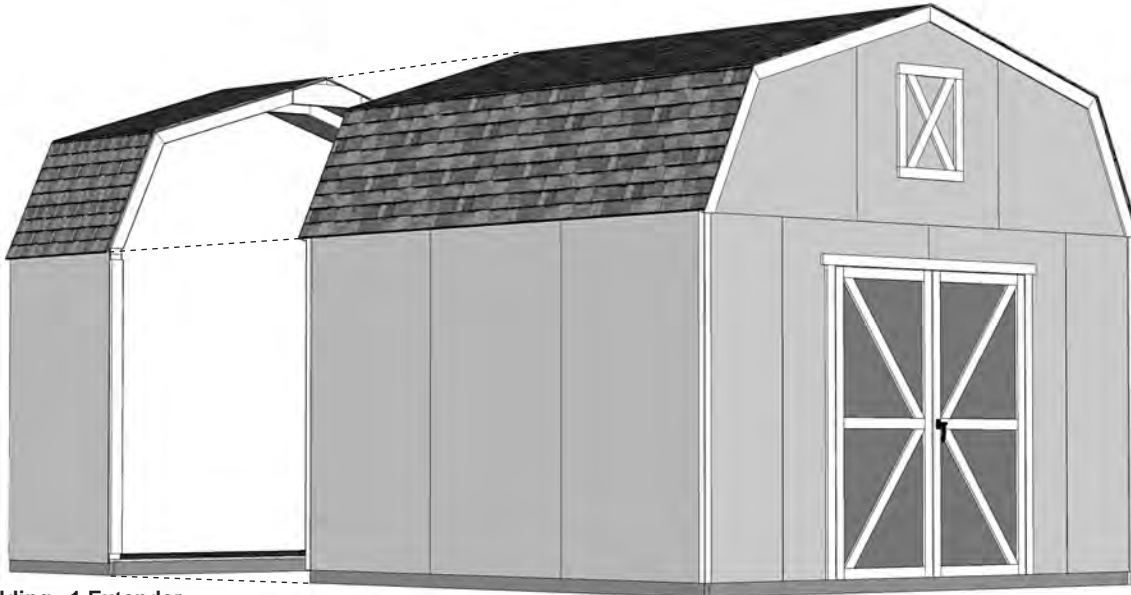
ASSEMBLY MANUAL

GAMBREL 12' x 12' (365,8 x 365,8 cm)

PART 1

	BUILDING SIZE	ACTUAL FLOOR SIZE
BASE MODEL	12' x 12' (365,8 x 365,8 cm)	12' x 12' (365,8 x 365,8 cm)
+1: 12' x 4' Extender	12' x 16' (365,8 x 487,7 cm)	12' x 16' (365,8 x 487,7 cm)
+1: 12' x 8' Extender	12' x 20' (365,8 x 609,6 cm)	12' x 20' (365,8 x 609,6 cm)
+1: 12' x 8' and +1: 12' x 4' Extender	12' x 24' (365,8 x 731,5 cm)	12' x 24' (365,8 x 731,5 cm)

KEEP THIS MANUAL FOR FUTURE REFERENCE



Base Building +1 Extender
12' x 16'

Base Building 12' x 12'

⚠ **IMPORTANT!** ⚠

READ INSTRUCTIONS THOROUGHLY PRIOR TO BEGINNING ASSEMBLY.

BEFORE YOU BEGIN

• BUILDING RESTRICTIONS AND APPROVALS

Be sure to check local building department and homeowners association for specific restrictions and/ or requirements before building.

• ENGINEERED DRAWINGS

Contact our Customer Service Team if engineered drawings are needed to pull local permits.

• SURFACE PREPARATION

To ensure proper assembly you must build your shed on a level surface.

Recommended methods and materials to level your shed are listed on page 10.

• CHECK ALL PARTS

Inventory all parts listed on pages 5-8.

• ADDITIONAL MATERIALS

You will need additional materials to complete your shed. See pages 3-4 for required and optional materials and quantities.

*****CONTACT OUR CUSTOMER SERVICE TEAM
IF ANY PARTS ARE MISSING OR DAMAGED*****

- Order form and warranty at back of manual -


Call: 1-734-242-6900 email: customerservice@backyardproducts.com



TOOLS

Required


Phillips Screwdriver 

Drill / Driver 
3/8" Drill Bit
#2 Phillips Drive Bit

Hammer 

Level 


Pencil 


Tape Measure 

Square  or 

Utility Knife 
Shingle Blades 

Caulk Gun 

Paint Tools 


Safety Glasses 


Ladder 

Optional

Tool Belt/
Nail Pouch 

Tin Snips
(for drip edge) 

Chalk Line 

Nail Gun
• gun nails 

Gloves 

Sawsall 

Safety! Always use approved safety glasses during assembly.

HELPFUL REMINDER SYMBOLS

Look for these symbols for helpful reminders throughout this manual.



= Assistance Required; two or more people.



= Ensure squareness.



= Important required step or operation.



= Helpful assembly hint.



= Mark part with pencil.



BEGIN = Beginning of steps for assembly or installation.



FINISH = You have finished the assembly or installation.

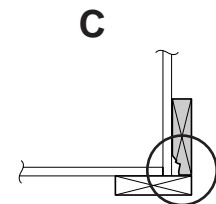
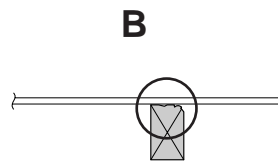
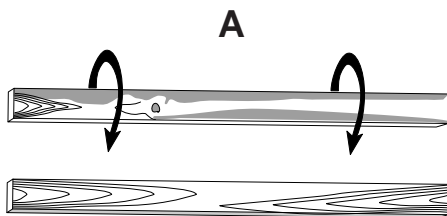


= Level

ORIENT LUMBER AND TRIM FOR BEST APPEARANCE

Framing lumber is graded for structural strength and not appearance. Exterior trim is graded for one good side.

Always install the material leaving the best edge and best surface visible. Please remember that these blemishes in no way negatively affect the strength or integrity of our product. (See Fig. A, B, C.)



ADDITIONAL MATERIALS

FOUNDATION OR FLOOR MATERIALS

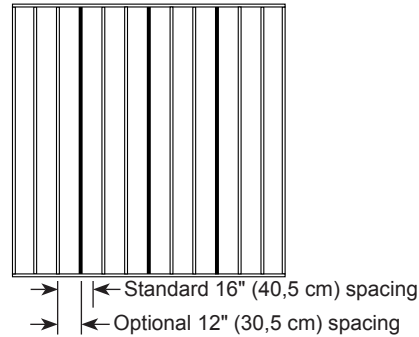
- If you purchased a separate floor kit, use instructions and materials in that kit to construct your floor.
- See the FLOOR LEVELING section on page 10 for recommended methods and suggested materials to properly level your floor, as this will vary depending on your specific site.

REINFORCED WOOD FLOOR FRAME (OPTIONAL)

IMPORTANT! Depending on your specific use you may want to construct a heavy duty floor frame by adding additional floor joists (shown below as shaded). Below is a list of additional materials (not included):

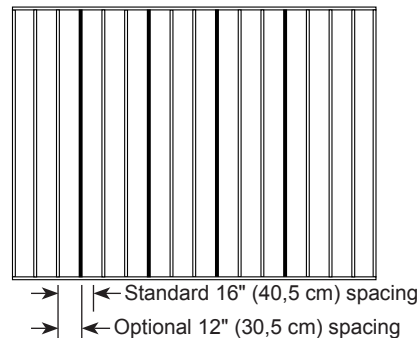
12x12'

- x3** 2 x 4 x 12' (5,1 x 10,2 x 304,8 cm) Treated Lumber cut to 2 x 4 x 141" (5,1 x 10,2 x 297,2 cm)
- x12** 3" (7,6 cm) hot-dipped galvanized nails



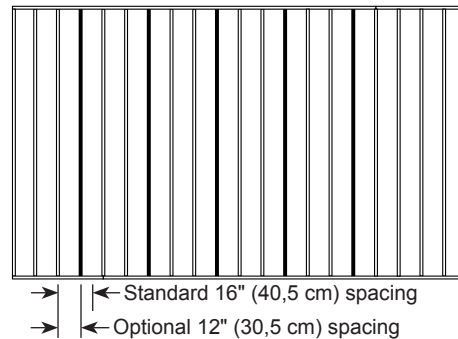
12x16'

- x4** 2 x 4 x 12' (5,1 x 10,2 x 304,8 cm) Treated Lumber cut to 2 x 4 x 141" (5,1 x 10,2 x 297,2 cm)
- x16** 3" (7,6 cm) hot-dipped galvanized nails



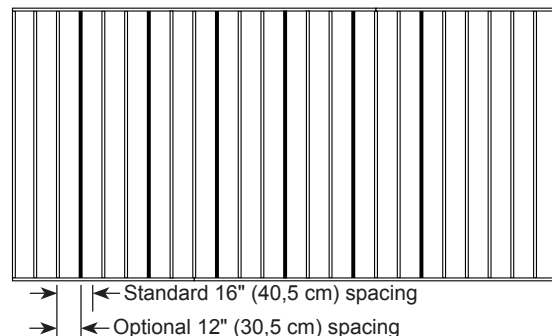
12x20'

- x5** 2 x 4 x 12' (5,1 x 10,2 x 304,8 cm) Treated Lumber cut to 2 x 4 x 141" (5,1 x 10,2 x 297,2 cm)
- x20** 3" (7,6 cm) hot-dipped galvanized nails



12x24'


- x6** 2 x 4 x 12' (5,1 x 10,2 x 304,8 cm) Treated Lumber cut to 2 x 4 x 141" (5,1 x 10,2 x 297,2 cm)
- x24** 3" (7,6 cm) hot-dipped galvanized nails

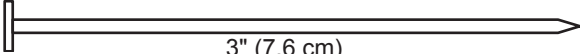


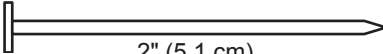
ADDITIONAL MATERIALS

COMPLETING YOUR SHED

You will need these additional materials:

	12x12'	12x16'	12x20'	12x24'		12x12'	12x16'	12x20'	12x24'
<input type="checkbox"/> 3-TAB SHINGLES (Bundles)	8	10	13	15	<input type="checkbox"/> Paint for trim/Quart Use 100% acrylic latex exterior paint.	2	2	3	3
<input type="checkbox"/> PAINT FOR SIDING (Gallons) Use 100% acrylic latex exterior paint. (2) coats recommended.	3	3	4	4	<input type="checkbox"/> Caulk Tubes Use acrylic paintable latex exterior caulk.	4	5	6	7
<input type="checkbox"/> 1" galvanized roofing nails (lbs). For shingles.	4	5	6	7					

	12x12'	12x16'	12x20'	12x24'	
<input type="checkbox"/> 3" Framing Nails Boxed Nails -or- Strip/Coil Nails	6	7	7	8	 3" (7,6 cm)
	400	450	500	550	

	12x12'	12x16'	12x20'	12x24'	
<input type="checkbox"/> 2" Framing Nails Boxed Nails -or- Strip/Coil Nails	7	8	9	11	 2" (5,1 cm)
	1450	1700	1900	2200	

OPTIONAL MATERIALS

	12x12'	12x16'	12x20'	12x24'
<input type="checkbox"/> Drip Edge (Feet)	40	40	40	40
<input type="checkbox"/> #15 Roofing Felt (Sq ft. to cover)	227	302	375	450
<input type="checkbox"/> 1" Galvanized Roofing Nails (lbs) For roofing felt.	1	1.5	3	3.5

REFER TO THE BACK OF THIS MANUAL AND THE MANUFACTURER'S INSTRUCTIONS FOR INSTALLATION OF SHINGLES, DRIP EDGE AND FELT.

PARTS IDENTIFICATION AND SIZES

Double letter part identification is stamped on some parts.



• Check these locations for part stamp.

WOOD SIZE CONVERSION CHART

Nominal Board Size	Actual Size
2 x 4	1-1/2" x 3-1/2" (3,8 x 8,9 cm)
1 x 4	3/4" x 3-1/2" (1,9 x 8,9 cm)
2 x 3	1-1/2" x 2-1/2" (3,8 x 6,3 cm)
1 x 3	3/4" x 2-1/2" (3,8 x 6,3 cm)

12x12'



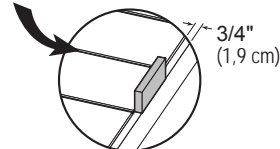
GAMBREL 12' x 12' PARTS LIST

INVENTORY YOUR PARTS before you begin.
We suggest sorting parts by the category they are listed in.

WALL

- x5 **AL** 2 x 4 x 7" (5,1 x 10,2 x 17,8 cm)
- x4 **QL** 2 x 4 x 39" (5,1 x 10,2 x 99,1 cm)
- x4 **HVC** 2 x 4 x 44-3/8" (5,1 x 10,2 x 112,7 cm)
- x6 **SP** 2 x 4 x 48" (5,1 x 10,2 x 121,9 cm)
- x1 7/16" x 3-1/4" x 66-3/4" (1,1 x 8,3 x 170,2 cm) OSB
- x2 **AM** 2 x 4 x 67" (5,1 x 10,2 x 170,2 cm)
- x2 **UM** 2 x 4 x 68" (5,1 x 10,2 x 172,7 cm)
- x4 **YFA** 2 x 4 x 68-1/2" (5,1 x 10,2 x 174 cm)
- x23 **AI** 2 x 4 x 78-1/2" (5,1 x 10,2 x 199,4 cm)
- x4 **TJ** 2 x 4 x 92-5/8" (5,1 x 10,2 x 235,3 cm)
- x6 **TP** 2 x 4 x 96" (5,1 x 10,2 x 243,9 cm)

x1 **GAA** 1 x 3 x 5" (2,5 x 7,6 x 12,7 cm)
Used as a gauge block for 3/4" (1,9 cm) measurement.



RAFTERS

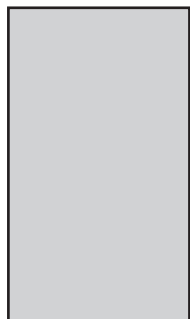
- x4 7/16 x 3-1/2 x 24" (1,1 x 8,9 x 61 cm) OSB
- x12 6 x 24" (15,2 x 61 cm)
- x14 Pre-assembled
- x4 **SX** 2 x 4 x 60" (5,1 x 10,2 x 152,4 cm)

TRIM

- x2 **JGA** 19/32" x 2-1/2" x 12-7/8" (1,6 x 7,6 x 32,7 cm)
- x4 **KX** 19/32" x 2-1/2" x 21-3/4" (1,6 x 7,6 x 55,2 cm)
- x1 **LKA** 19/32" x 2-1/2" x 25-3/4" (1,6 x 7,6 x 65,4 cm)
- x2 **ZJL** 5/8 x 4 x 36" (1,6 x 10 x 91 cm)
- x2 **ZJR** 5/8 x 4 x 36" (1,6 x 10 x 91 cm)
- x2 **ZOL** 5/8 x 4 x 60-7/8" (1,6 x 10 x 154,6 cm)
- x2 **ZOR** 5/8 x 4 x 60-7/8" (1,6 x 10 x 154,6 cm)
- x8 3/8" x 1-3/4" x 83-1/4" (1 x 4,5 x 211,5 cm)

PANEL & DOORS PARTS LIST

NOTE: Panel parts are not stamped with part identification.



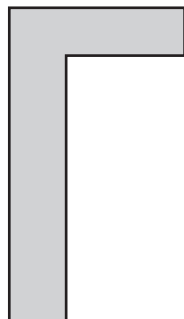
x9

3/8 x 48 x 84"
(1 x 121,9 x 213,4 cm)

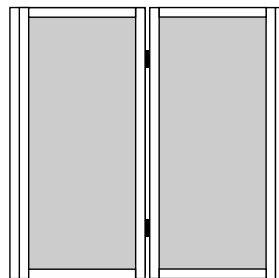


x2

3/8 x 23-7/8 x 84"
(1 x 60,6 x 213,4 cm)



x1



x1

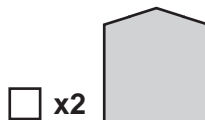
x1



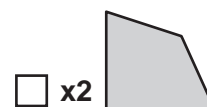
x1



x2



x2

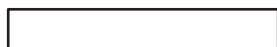


x2

ROOF PANELS

Roof panels are 7/16" (1,1 cm) thick.

x2



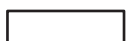
11-7/8" x 96"
(30,2 cm x 243,8 cm)

x2



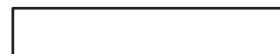
23-7/8" x 48"
(60,6 x 121,9 cm)

x2



11-7/8" x 48"
(30,2 x 121,9 cm)

x2



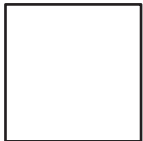
12-1/2" x 96"
(31,8 x 243,8 cm)

x2



48" x 96"
(121,9 x 243,8 cm)

x2



47-7/8" x 48"
(121,6 x 121,9 cm)

x2



23-7/8" x 96"
(60,6 x 243,8 cm)

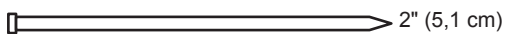
x2



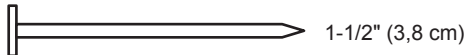
12-1/2" x 48"
(31,8 x 121,9 cm)

FASTENER/HARDWARE BAG (Shown Actual Size)

x200



x110



x85



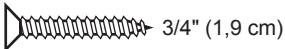
x25



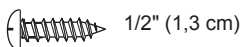
x2



x105



x12


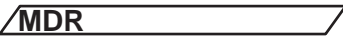
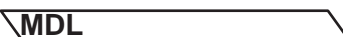

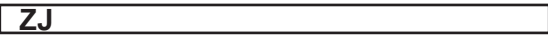


NOTE:

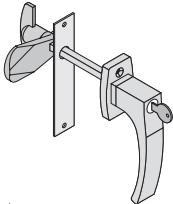


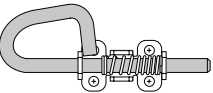


If you are using a nail gun, nails may be used where screws are shown for quicker assembly.

Length of nail must match screw length.

DOOR TRIM

- x2 **AH**  19/32" x 2-1/2" x 26-5/8" (1,5 x 6,3 x 67,7 cm)
- x2 **MDR**  19/32" x 2-1/2" x 39-7/8" (1,5 x 6,3 x 101,3 cm)
- x2 **MDL**  19/32" x 2-1/2" x 39-7/8" (1,5 x 6,3 x 101,3 cm)
- x2 **OO**  69" (175,3 cm) Door Stiffener
- x1 **ZJ**  19/32" x 2-1/2" x 72" (1,5 x 6,3 x 182,9 cm)

DOOR HARDWARE

- x1 
- x2  1" (2,5 cm)
- x2  1-1/4" (3,2 cm)
- x2 
- x8  3/4" (1,9 cm)
- x2 

GAMBREL EXTENDER KIT PARTS LIST

Inventory your parts before you begin.
We suggest sorting parts by the category they are listed in.

Part identification is stamped on some parts.



• Check these locations for part stamp.

WOOD SIZE CONVERSION CHART	
Nominal Board Size	Actual Size
2 x 4	1-1/2" x 3-1/2" (3,8 x 8,9 cm)
1 x 4	3/4" x 3-1/2" (1,9 x 8,9 cm)
2 x 3	1-1/2" x 2-1/2" (3,8 x 6,3 cm)
1 x 3	3/4" x 2-1/2" (3,8 x 6,3 cm)

12' x 4' EXTENDER

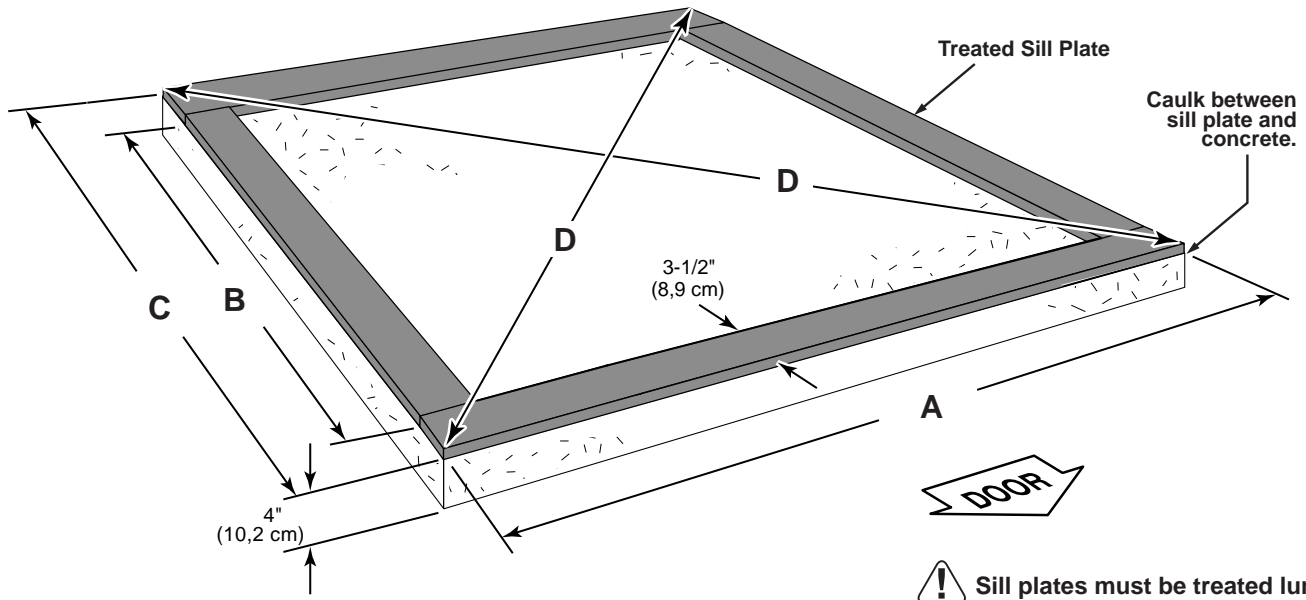
WALL	x6	SP	2 x 4 x 48" (5,1 x 10,2 x 121,9 cm)	
	x2	SX	2 x 4 x 60" (5,1 x 10,2 x 121,9 cm)	
	x4	AI	2 x 4 x 78-1/2" (5,1 x 10,2 x 199,4 cm)	
	x2		3/8 x 48 x 84" (1 x 121,9 x 213,4 cm)	
RAFTERS	x2		7/16" x 3-1/2" x 24" (1,1 x 8,9 x 61 cm)	HARDWARE
	x4			
	x4		Preassembled	
				<div style="display: flex; align-items: center;"> <div style="width: 10px; height: 10px; border: 1px solid black; margin-right: 5px;"></div> <div style="margin-right: 5px;">12</div> </div> <p style="text-align: center;">3" (7,6 cm)</p>
ROOF PANELS		Roof panels are 7/16" (1,1 cm) thick.		
	x2		7/16" x 23-7/8" x 47-7/8" (1,1 x 60,6 x 121,6 cm)	<div style="display: flex; align-items: center;"> <div style="width: 10px; height: 10px; border: 1px solid black; margin-right: 5px;"></div> <div style="margin-right: 5px;">x2</div> <div style="border: 1px solid black; width: 60px; height: 15px; margin-right: 5px;"></div> <div style="padding-left: 5px;">7/16" x 12-1/2" x 48" (1,1 x 31,8 x 121,9 cm)</div> </div>
	x2		7/16" x 47-7/8" x 48" (1,1 x 6 x 121,9 cm)	<div style="display: flex; align-items: center;"> <div style="width: 10px; height: 10px; border: 1px solid black; margin-right: 5px;"></div> <div style="margin-right: 5px;">x2</div> <div style="border: 1px solid black; width: 60px; height: 15px; margin-right: 5px;"></div> <div style="padding-left: 5px;">7/16" x 11-7/8" x 48" (1,1 x 30,2 x 121,9 cm)</div> </div>

12' x 8' EXTENDER

WALL	x4	SX	2 x 4 x 60" (5,1 x 10,2 x 121,9 cm)	
	x8	AI	2 x 4 x 78-1/2" (5,1 x 10,2 x 199,4 cm)	
	x6	TP	2 x 4 x 96" (5,1 x 10,2 x 243,9 cm)	
	x4		3/8 x 48 x 84" (1 x 121,9 x 213,4 cm)	
RAFTERS	x4		7/16" x 3-1/2" x 24" (1,1 x 8,9 x 61 cm)	HARDWARE
	x8			
	x8		Preassembled	
				<div style="display: flex; align-items: center;"> <div style="width: 10px; height: 10px; border: 1px solid black; margin-right: 5px;"></div> <div style="margin-right: 5px;">20</div> </div> <p style="text-align: center;">3" (7,6 cm)</p>
ROOF PANELS		Roof panels are 7/16" (1,1 cm) thick.		
	x2		7/16" x 23-7/8" x 96" (1,1 x 121,6 x 243,9 cm)	<div style="display: flex; align-items: center;"> <div style="width: 10px; height: 10px; border: 1px solid black; margin-right: 5px;"></div> <div style="margin-right: 5px;">x2</div> <div style="border: 1px solid black; width: 60px; height: 15px; margin-right: 5px;"></div> <div style="padding-left: 5px;">7/16" x 11-7/8" x 96" (1,1 x 30,2 x 243,9 cm)</div> </div>
	x2		7/16" x 48" x 96" (1,1 x 121,9 x 243,9 cm)	<div style="display: flex; align-items: center;"> <div style="width: 10px; height: 10px; border: 1px solid black; margin-right: 5px;"></div> <div style="margin-right: 5px;">x2</div> <div style="border: 1px solid black; width: 60px; height: 15px; margin-right: 5px;"></div> <div style="padding-left: 5px;">7/16" x 12-1/2" x 96" (1,1 x 31,8 x 243,9 cm)</div> </div>

CONCRETE FOUNDATION

If you choose to install your kit on a concrete slab refer to the diagram below.
Attach the sill plates on the foundation as shown, and continue on to page 14.



Sill plates must be treated lumber.

Building Size	Actual Floor Size	A	B	C	D
12'x12' (365,8 x 365,8 cm)	12'x12' (365,8 x 365,8 cm)	144" (365,8 cm)	137" (348 cm)	144" (365,8 cm)	203-5/8" (612,3 cm)

12' x 12' Building Requires:

- x2 2 x 4 x 12' (5,1 x 10,2 x 304,8 cm)
 x2 2 x 4 x 12' (5,1 x 10,2 x 304,8 cm)
 Cut down to: 137" (348 cm)
- x1 Caulk

Building Size	Actual Floor Size	A	B	C	D
12'x16' (304,8 x 487,7 cm)	12'x16' (304,8 x 487,7 cm)	144" (365,8 cm)	185" (469,9 cm)	192" (487,7 cm)	240" (609,6 cm)

12' x 16' Building Requires:

- x2 2 x 4 x 12' (5,1 x 10,2 x 304,8 cm)
 x2 2 x 4 x 16' (5,1 x 10,2 x 426,7 cm)
 Cut down to: 185" (469,9 cm)
- x1 Caulk

Building Size	Actual Floor Size	A	B	C	D
12'x20' (304,8 x 609,6 cm)	12'x20' (304,8 x 609,6 cm)	144" (365,8 cm)	233" (591,8 cm)	240" (609,6 cm)	279-7/8" (710,6 cm)

12' x 20' Building Requires:

- x2 2 x 4 x 12' (5,1 x 10,2 x 304,8 cm)
 x2 2 x 4 x 16' (5,1 x 10,2 x 426,7 cm)
- x1 Caulk
 x1 2 x 4 x 8' (5,1 x 10,2 x 243,8 cm)
 Cut (2): 41" (104,1 cm)

Building Size	Actual Floor Size	A	B	C	D
12'x24' (304,8 x 731,5 cm)	12'x24' (304,8 x 731,5 cm)	144" (365,8 cm)	281" (713,7 cm)	288" (619,8 cm)	322" (817,9 cm)

12' x 24' Building Requires:

- x2 2 x 4 x 12' (5,1 x 10,2 x 304,8 cm)
 x2 2 x 4 x 16' (5,1 x 10,2 x 426,7 cm)
- x2 Caulk
 x2 2 x 4 x 8' (5,1 x 10,2 x 243,8 cm)
 Cut (2): 89" (226,1 cm)

Allow new concrete slabs to cure for at least seven (7) days.

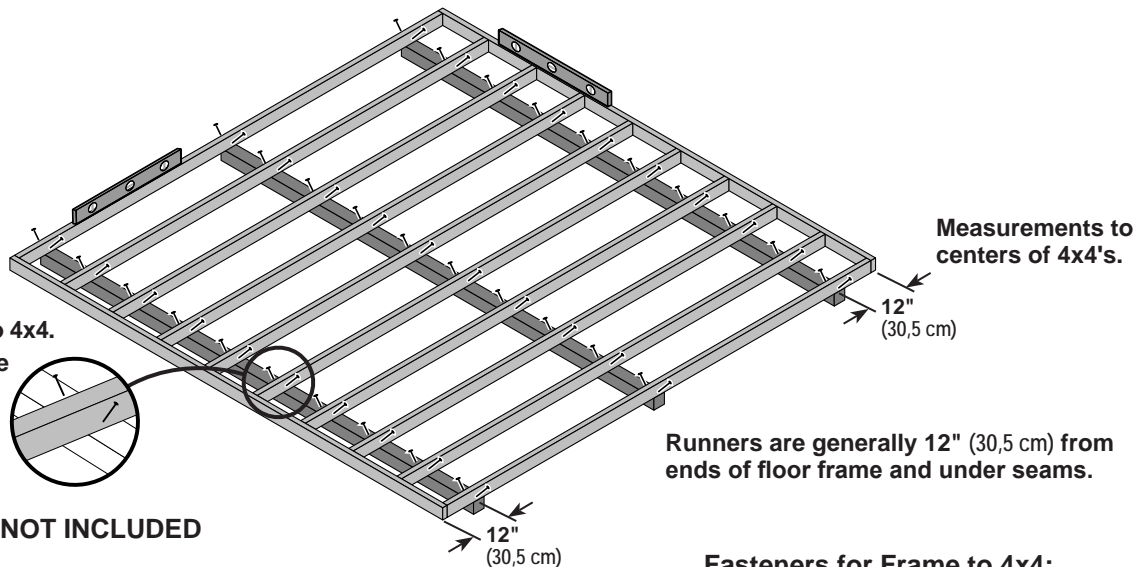
- A treated 2x4 (5,1 x 10,2 cm) sill plate is required when installing your shed on concrete. Purchase full length treated lumber, or butt shorter pieces end-to-end and seal seams with caulk.
- Use a high quality exterior grade caulk beneath all sill plates.
- Fasten 2x4 (5,1 x 10,2 cm) sill plates to slab using approved concrete anchors (fasteners not included).
- Check local code for concrete foundation requirements.

OPTIONAL WOOD FRAME FLOOR LEVELING OPTIONS

There are multiple ways to level your floor frame. Our recommended leveling method is shown below.

Leveling materials are not included in this kit.

PREFERRED METHOD - 4x4 TREATED RUNNERS (Typical for 12' x 12' Kit)



- 3" Screws angled into 4x4.
- (2) at each point frame and 4x4 touch.

Runners are generally 12" (30,5 cm) from ends of floor frame and under seams.

! FLOOR FRAME NOT INCLUDED

MATERIAL REQUIRED: [TREATED LUMBER]

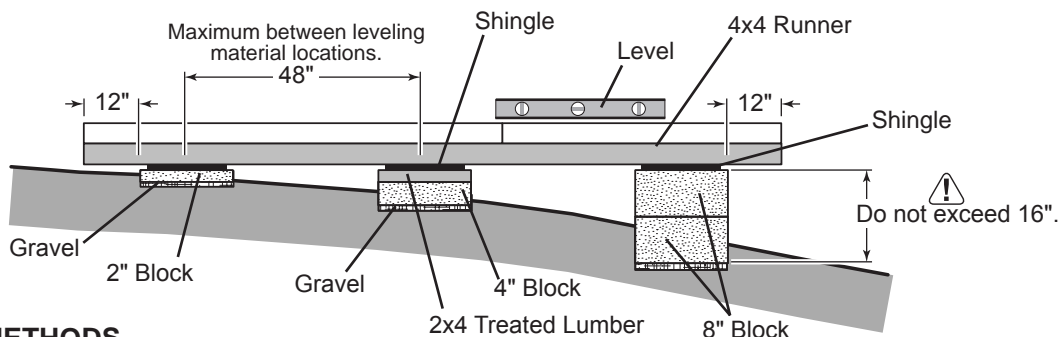
- | | |
|------------------|---|
| 12' x 12' | <input type="checkbox"/> x3 4 x 4 x 12' (10,2 x 10,2 x 304,8 cm) |
| 12' x 16' | <input type="checkbox"/> x3 4 x 4 x 16' (10,2 x 10,2 x 487,7 cm) |
| 12' x 20' | <input type="checkbox"/> (3) 4 x 4 x 16' (10,2 x 10,2 x 487,7 cm) and:
(1) 4 x 4 x 12' (10,2 x 10,2 x 144 cm) cut to (3) 48" (121,9 cm) |
| 12' x 24' | <input type="checkbox"/> (3) 4 x 4 x 16' (10,2 x 10,2 x 487,7 cm) and:
(3) 4 x 4 x 8' (10,2 x 10,2 x 243,8 cm) |

Fasteners for Frame to 4x4:
(3" Screws shown as one option.)
Minimum 3" screws / exterior grade.

- | | | |
|--------------------------------------|--|-------------|
| <input type="checkbox"/> x60 | | 3" (7,6 cm) |
| <input type="checkbox"/> x78 | | 3" (7,6 cm) |
| <input type="checkbox"/> x96 | | 3" (7,6 cm) |
| <input type="checkbox"/> x114 | | 3" (7,6 cm) |

! Use only wood treated for ground contact and fasteners approved for use with treated wood.

! Always support frame seams.



LEVELING METHODS

- Level under 4x4 runners only.
- Locate leveling material 12" from ends of runners and no more than 48" apart.
- Asphalt shingles should be used between 4x4 runners and blocks or treated lumber. Never use shingles in direct contact with ground.
- For best results and aiding in water drainage use gravel under each concrete block.

LEVELING MATERIALS

- Gravel
- Solid Masonry Blocks in 1", 2", 4" or 8" thickness
- 2x4 Treated Lumber
- Asphalt Shingles

! Leveling higher than 16" not recommended.

LEVELING & SQUARING THE FLOOR FRAME (Not Included)

STOP!



LEVEL AND SQUARE FLOOR FRAME



STOP!

Before attaching floor decking, it is important to level and square the floor frame.
A level and square floor frame is required to correctly construct your shed.

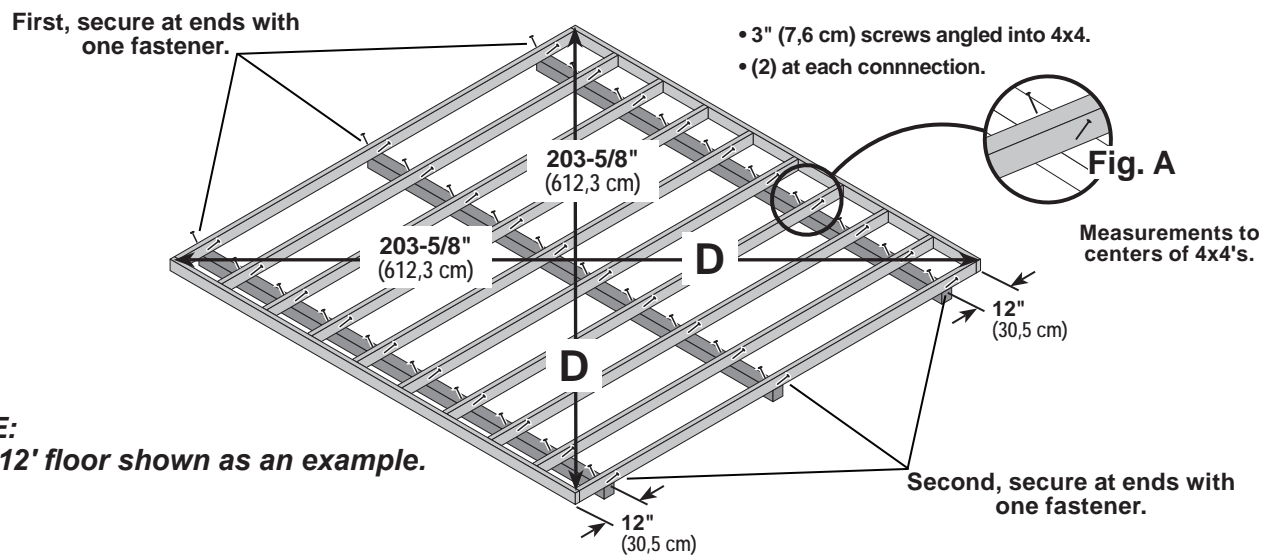
See page 10 for the preferred floor leveling method.

Use a level and ensure the frame is level before applying floor panels.

BEGIN

- 1 Check for frame squareness by measuring diagonally across the corners (**diagonal measurement D**). If the measurements are the same, the frame is square. Use the chart below to determine measurement D.

SHED SIZE	D
12' x 12'	203-5/8" (612,3 cm)
12' x 16'	240" (609,6 cm)
12' x 20'	279-7/8" (710,9 cm)
12' x 24'	322" (817,9 cm)



NOTE:
12' x 12' floor shown as an example.

4x4 runners are generally installed 12" (30,5 cm) from ends of floor frame and under any seams.

- 2 After the frame is level and square, secure one side of frame to 4x4 runners using one fastener at ends of each runner.

At the opposite end of the frame, secure the frame to 4x4 runners with one fastener at the ends of each runner, ensuring that the frame remains square.

Fasten the frame to the 4x4 runners with (2) 3" screws at each connection (**Fig. A**).



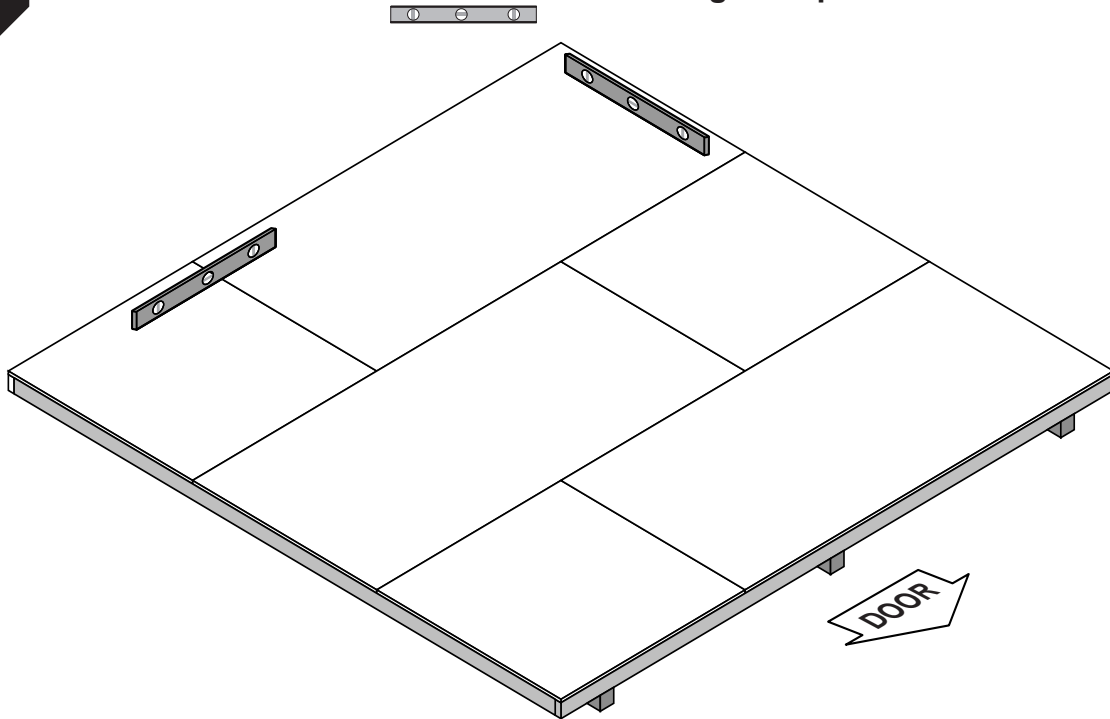
Your floor frame is now level.

! IMPORTANT!

NOTE: 12' x 12' Gambrel shown standard throughout manual

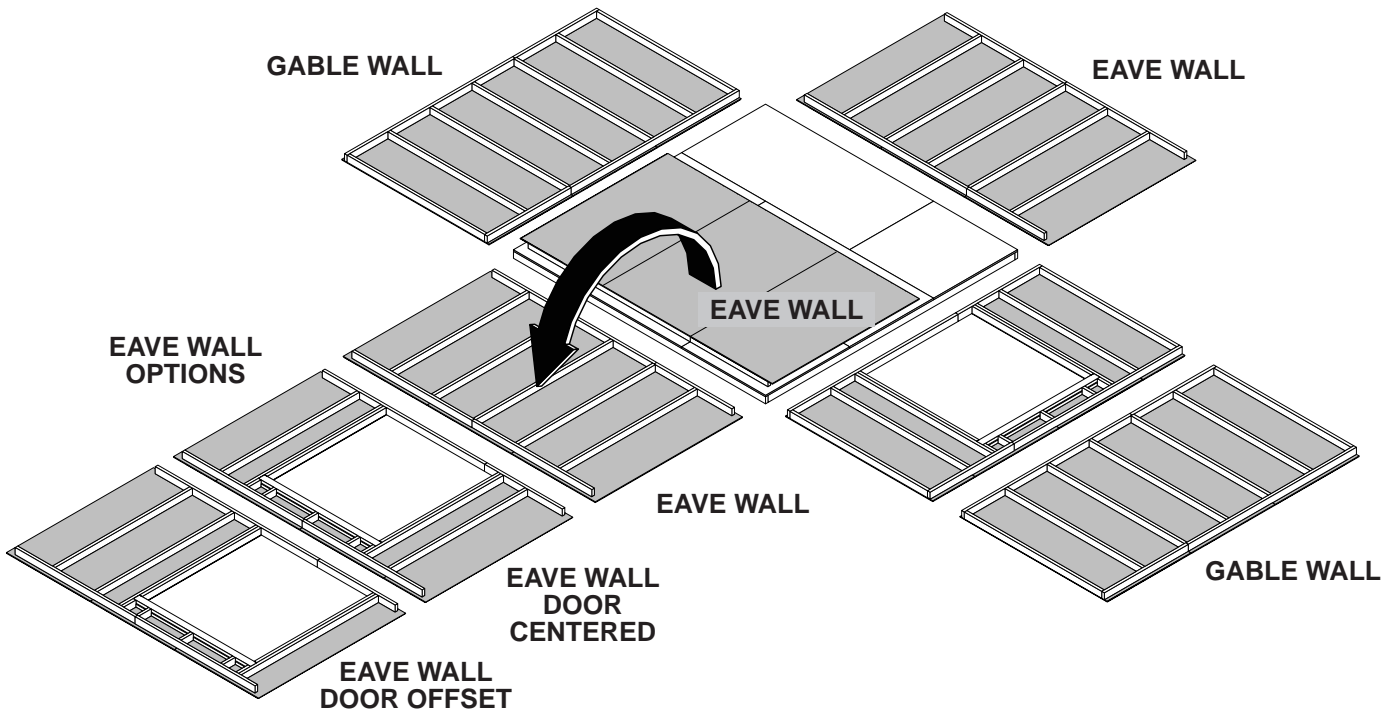


Ensure the floor frame is level after installing floor panels. Re-level if needed.



HINT:

- The floor should be used as a stable work surface for wall construction.
- Organize your assembly procedure during the build process to avoid over-handling of the walls.

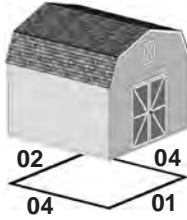


(This page intentionally left blank.)

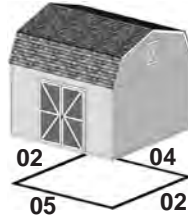
WALL CONFIGURATION GUIDE

Create your own style of shed. Choose your door location.
Compare this guide with the wall index to find the corresponding pages.

12' x 12'



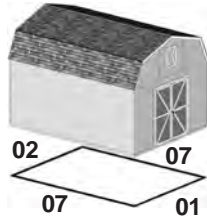
V-1



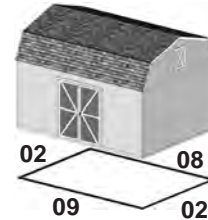
V-2



12' x 16'



V-1



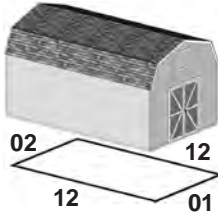
V-2



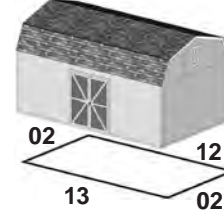
V-3



12' x 20'



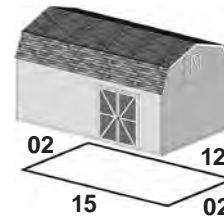
V-1



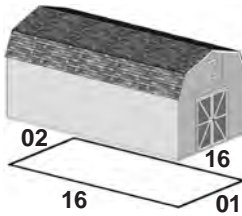
V-2



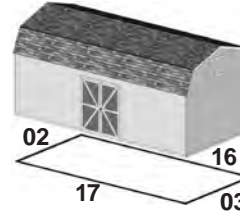
V-3



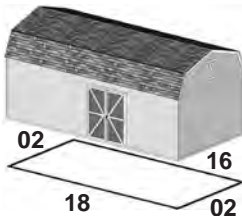
12' x 24'



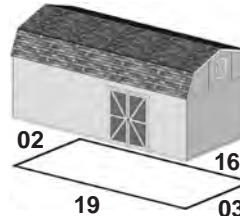
V-1



V-2



V-3



CUT HERE



HINT:

Streamline your wall assembly process by cutting out the pages for the wall configuration guide and the wall index.



HINT:



CUT HERE

WALL INDEX

As another option, eave walls with doors can be reversed during assembly.

12' x 12' After assembling the walls for your 12' x 12' shed, go to page 56 for wall installation.

CUT HERE



12' x 12'
 Door is on the 12' gable wall.
 Wall 01: Page 18
 Wall 02: Page 20
 Wall 04: Page 24
 (build 2 walls 04)



12' x 12' V-1
 Door is on the 12' eave wall, centered.
 Wall 02: Page 20
 Wall 04: Page 24
 Wall 05: Page 26
 (build 2 walls 02)



12' x 12' V-2
 Door is on the 12' eave wall, extra-offset right.
 Wall 02: Page 20
 Wall 03: Page 22
 Wall 04: Page 24
 Wall 06: Page 28

12' x 16' After assembling the walls for your 12' x 16' shed, go to page 61 for wall installation.



12' x 16'
 Door is on the 12' wall.
 Wall 01: Page 18
 Wall 02: Page 20
 Wall 07: Page 30
 (build 2 walls 07)



12' x 16' V-1
 Door is on the 16' wall, centered.
 Wall 02: Page 20
 Wall 08: Page 32
 Wall 09: Page 34
 (build 2 walls 02)



12' x 16' V-2
 Door is on the 16' wall, offset right.
 Wall 02: Page 20
 Wall 07: Page 30
 Wall 10: Page 36
 (build 2 walls 02)



12' x 16' V-3
 Door is on the 16' wall, extra-offset right.
 Wall 02: Page 20
 Wall 08: Page 32
 Wall 11: Page 38
 (build 2 walls 02)

12' x 20' After assembling the walls for your 12' x 20' shed, go to page 67 for wall installation.



12' x 20'
 Door is on the 12' wall.
 Wall 01: Page 18
 Wall 02: Page 20
 Wall 12: Page 40
 (build 2 walls 12)



12' x 20' V-1
 Door is on the 20' wall, semi-centered.
 Wall 02: Page 20
 Wall 12: Page 40
 Wall 13: Page 42
 (build 2 walls 02)



12' x 20' V-2
 Door is on the 20' wall, offset right.
 Wall 02: Page 20
 Wall 03: Page 22
 Wall 12: Page 40
 Wall 14: Page 44



12' x 20' V-3
 Door is on the 20' wall, extra-offset right.
 Wall 02: Page 20
 Wall 12: Page 40
 Wall 15: Page 46
 (build 2 walls 02)

12' x 24' After assembling the walls for your 12' x 24' shed, go to page 73 for wall installation.



12' x 24'
 Door is on the 12' wall.
 Wall 01: Page 18
 Wall 02: Page 20
 Wall 16: Page 48
 (build 2 walls 16)



12' x 24' V-1
 Door is on the 24' wall, semi-centered.
 Wall 02: Page 20
 Wall 03: Page 22
 Wall 16: Page 48
 Wall 17: Page 50



12' x 24' V-2
 Door is on the 24' wall, offset right.
 Wall 02: Page 20
 Wall 16: Page 48
 Wall 18: Page 52
 (build 2 walls 02)



12' x 24' V-3
 Door is on the 24' wall, extra-offset right.
 Wall 02: Page 20
 Wall 03: Page 22
 Wall 16: Page 48
 Wall 19: Page 54

CUT HERE

DOOR HEADER

STOP!

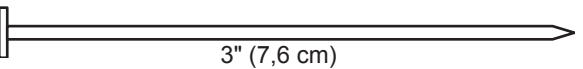
Assemble this door header before building any walls!

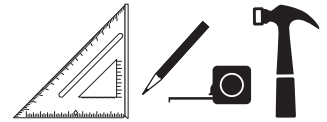
STOP!

PARTS REQUIRED:

x2 **AM**
2 x 4 x 67" (5,1 x 10,2 x 170,2 cm)

x1
7/16 x 3-1/4 x 66-3/4" (1,1 x 8,3 x 170,2 cm) **OSB**

x18  3" (7,6 cm)

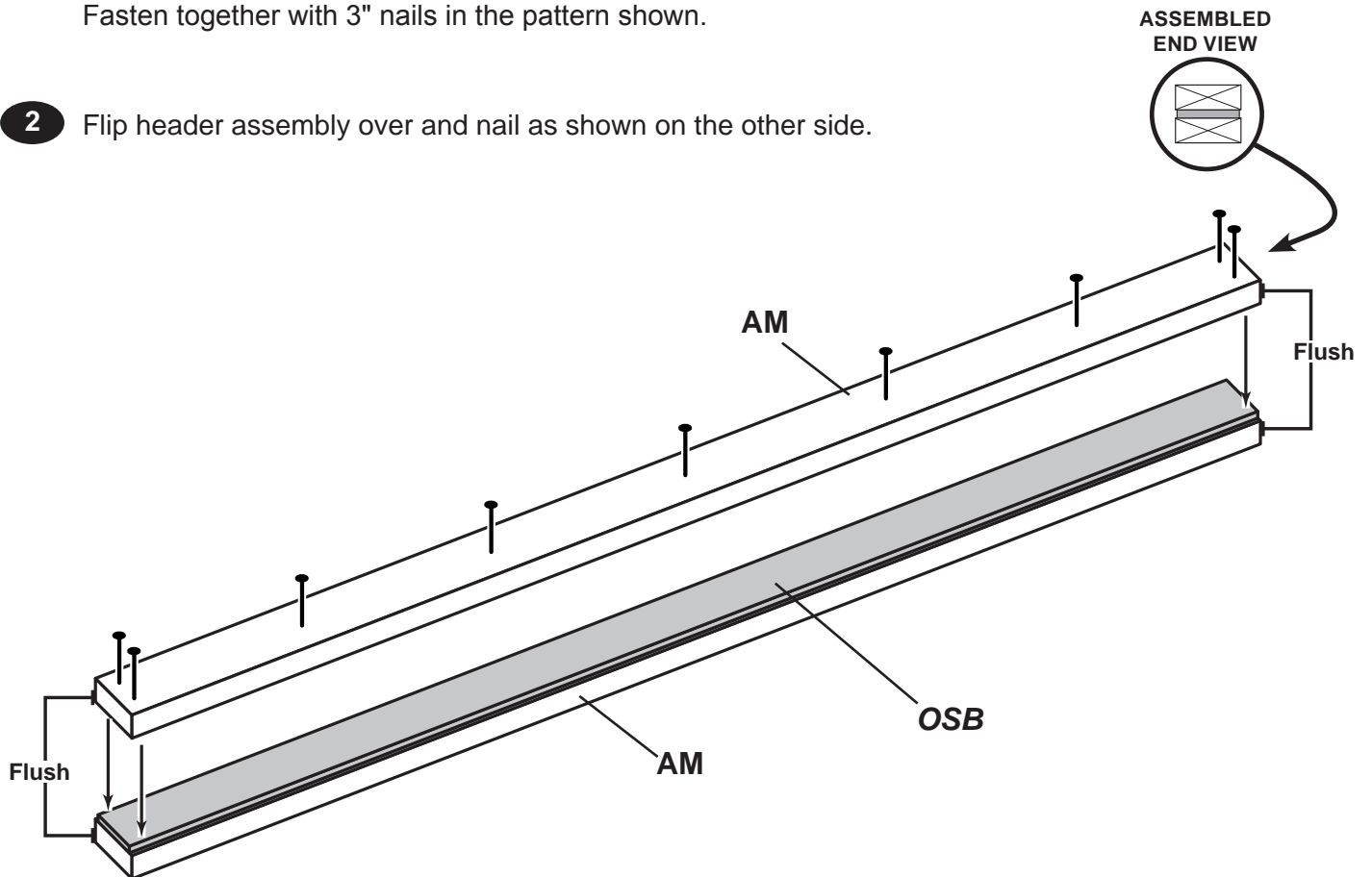


BEGIN

- 1 Place (1) **AM** and **OSB** end-to-end on flat surface, flush in middle.
Center **OSB** on top of **AM**.

Fasten together with 3" nails in the pattern shown.

- 2 Flip header assembly over and nail as shown on the other side.

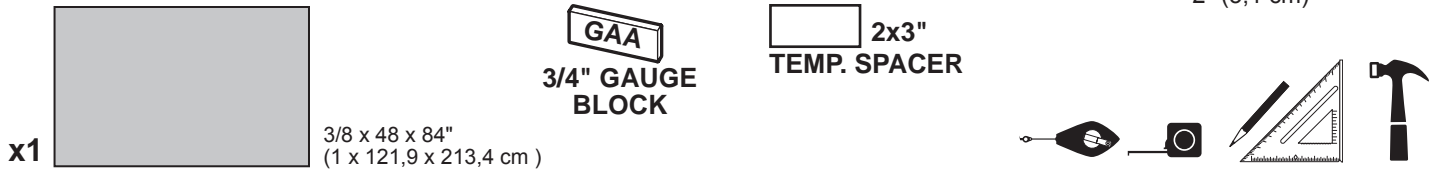


FINISH

Your door header is now assembled.

WALL PANEL INSTALLATION HINTS & EXAMPLES

PARTS REQUIRED:



Ensure your wall is square by installing one panel and squaring frame.

Install all wall panels with the primed side facing up.

BEGIN

- Place a 48" x 84" panel on the wall frame, as shown.
Locate the panel flush to the top plate.
Use the gauge block to mark the 3/4" side measurement on the wall stud.
Secure panel with (2) 2" nails in the corners (**Fig. A**).

- Move to the opposite end. Using the long edge of the panel as a lever, move the panel side-to-side until you have a 3/4" measurement on the wall stud.
Secure corner with (2) 2" nails (**Fig. B**).
Secure panel with 2" nails spaced 6" apart on edges and 12" apart inside panel.

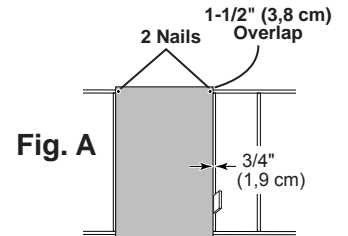


Fig. A

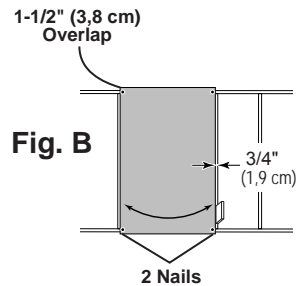
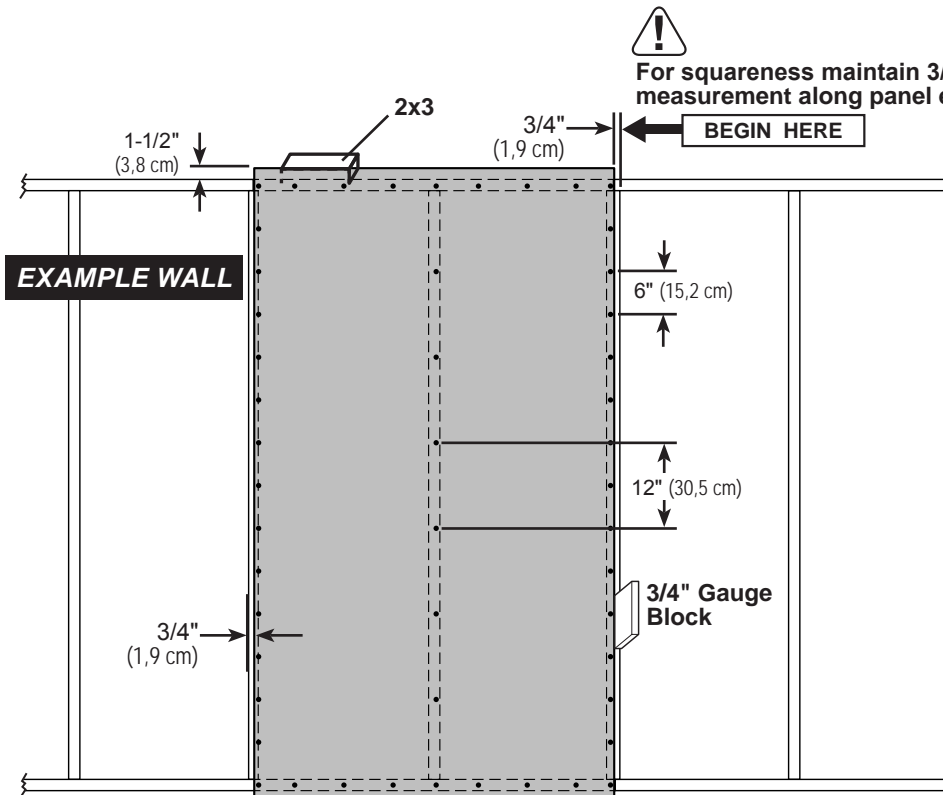


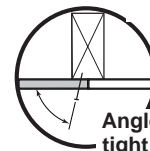
Fig. B



For squareness maintain 3/4" and 1-1/2" measurement along panel edge.



HINT

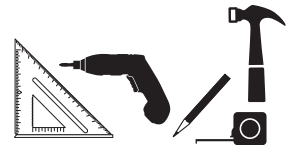


Angle nail to draw panels tight at seams.

GABLE WALL 01 WITH DOOR

- PARTS REQUIRED:** x5 **AL** 2 x 4 x 7" (5,1 x 10,2 x 17,8 cm)
- x2 **SP** 2 x 4 x 48" (5,1 x 10,2 x 121,9 cm)
- x6 **AI** 2 x 4 x 78-1/2" (5,1 x 10,2 x 199,4 cm)
- x2 **TP** 2 x 4 x 96" (5,1 x 10,2 x 243,8 cm)
- Pre Assembled Header**
- x1 **UM** 2 x 4 x 68" (5,1 x 10,2 x 172,7 cm)

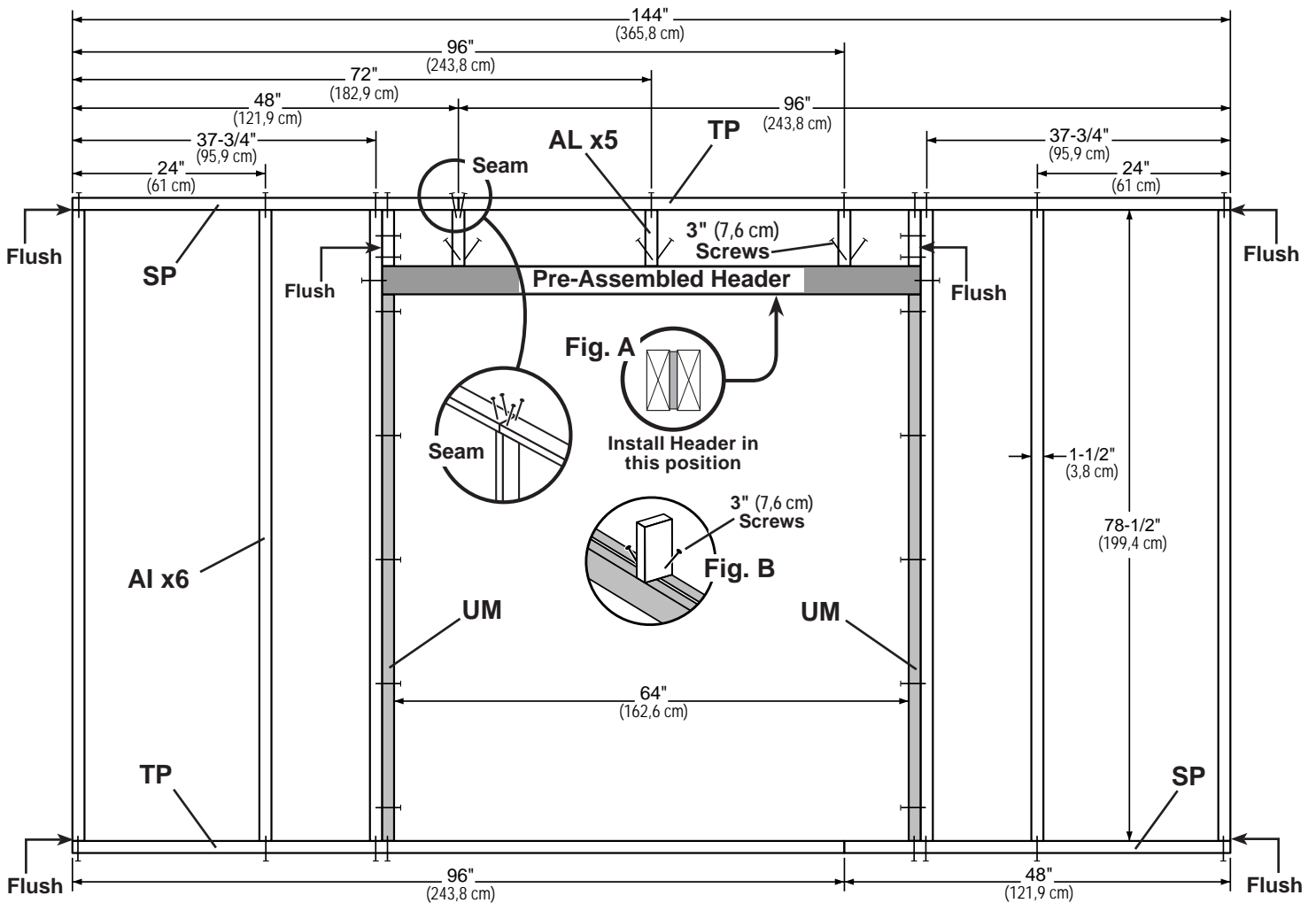
- x72 3" (7,6 cm)
- x6 3" (7,6 cm)



BEGIN

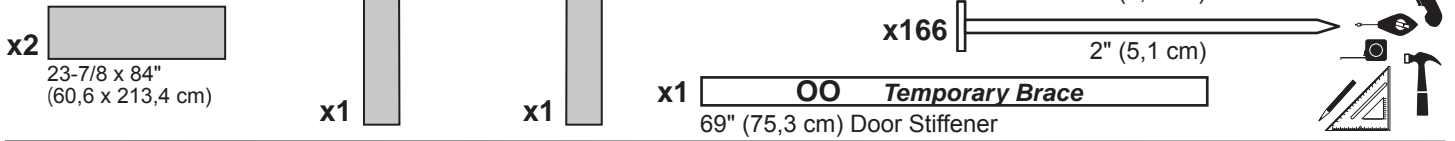
- 1** Orient parts on edge on floor as shown. Measure and mark from end of boards.
Orient **Pre Assembled Header** as shown (**Fig. A**).
Secure with (2) 3" nails at each connection and (4) 3" nails at seams.

- 2** Fasten (3) middle parts **AL** to **Pre Assembled Header** with (2) 3" screws (**Fig. B**).
Fasten (2) end **AL** to studs **AI** with (4) 3" nails at each side.
Secure parts **AL** to top plates with (2) 3" nails at each connection and (4) 3" nails at seam.



GABLE WALL 01 WITH DOOR

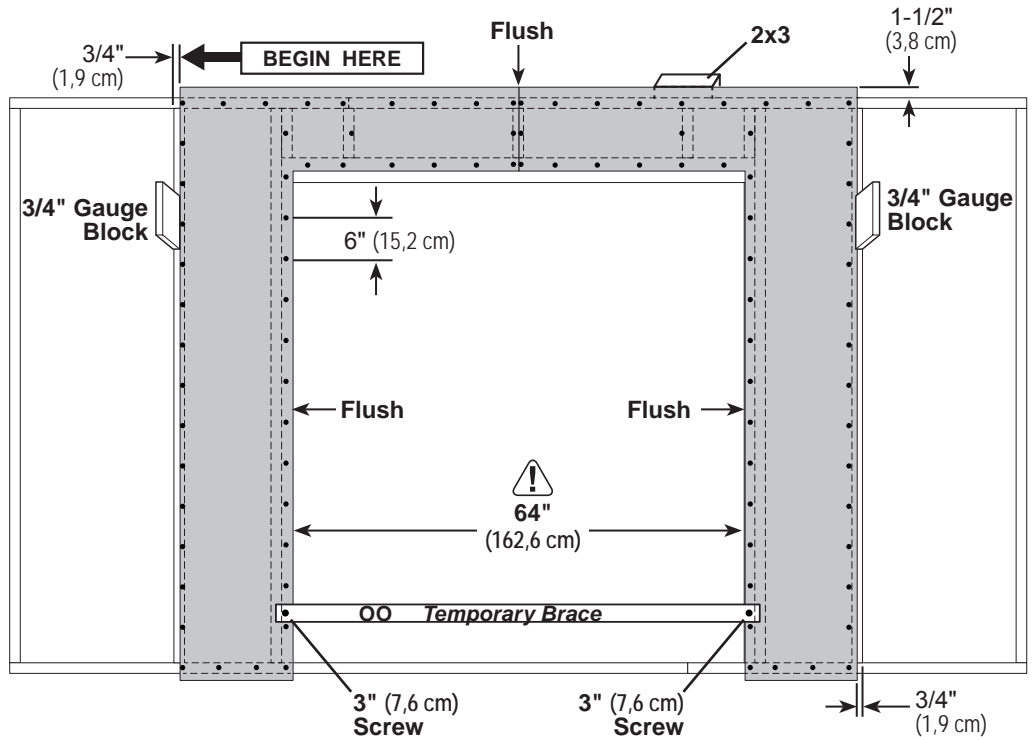
PARTS REQUIRED:



3 Install the left panel 1-1/2" from the top plate. Use a 2x3 spacer for consistent measurement. Secure panel with 2" nails spaced 6" apart on edges.

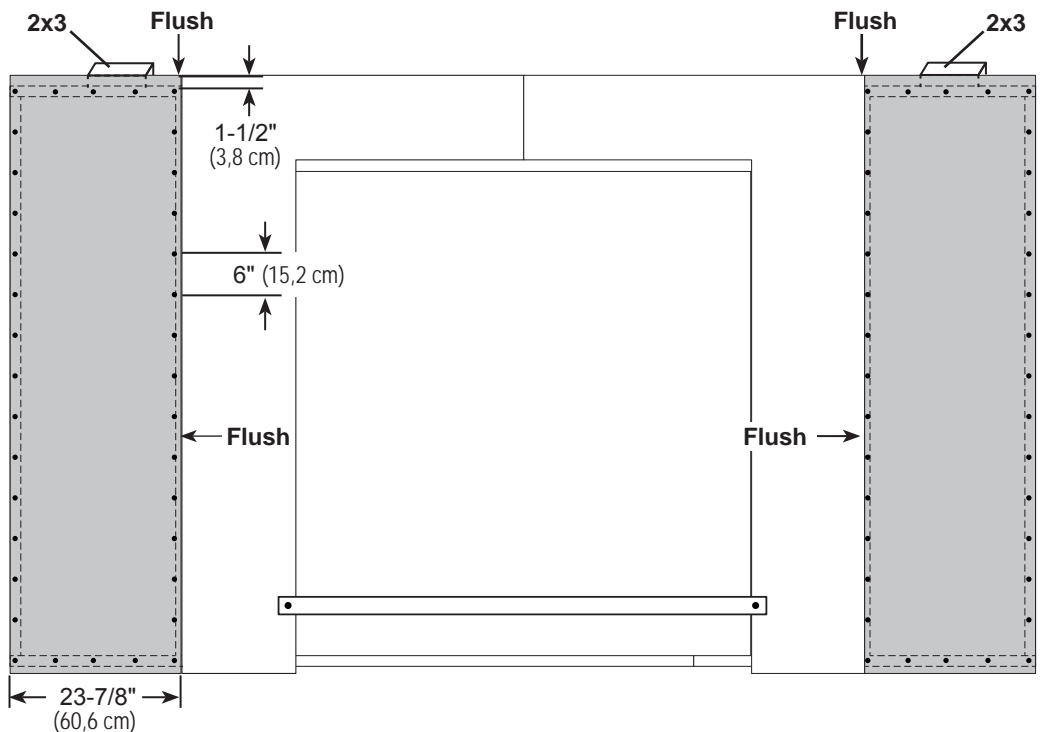
4 Install the right panel flush to installed panel, as shown. Ensure 64" (162,8 cm) door measurement. Use part OO as a temporary brace. Secure with (2) 3" screws.

Secure panels with 2" nails spaced 6" apart on edges.



5 Install (2) 23-7/8" x 84" panels flush to installed panels and 1-1/2" from the top plate.

Secure panels with 2" nails spaced 6" apart on edges.



Your 12' gable wall with door is now assembled. Carefully flip the wall over.

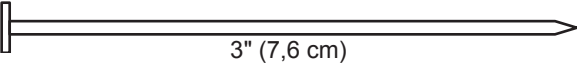
12' GABLE WALL 02

PARTS REQUIRED:

x2 **SP**
2 x 4 x 48" (5,1 x 10,2 x 121,9 cm)

x7 **AI**
2 x 4 x 78-1/2" (5,1 x 10,2 x 199,4 cm)

x2 **TP**
2 x 4 x 96" (5,1 x 10,2 x 243,8 cm)

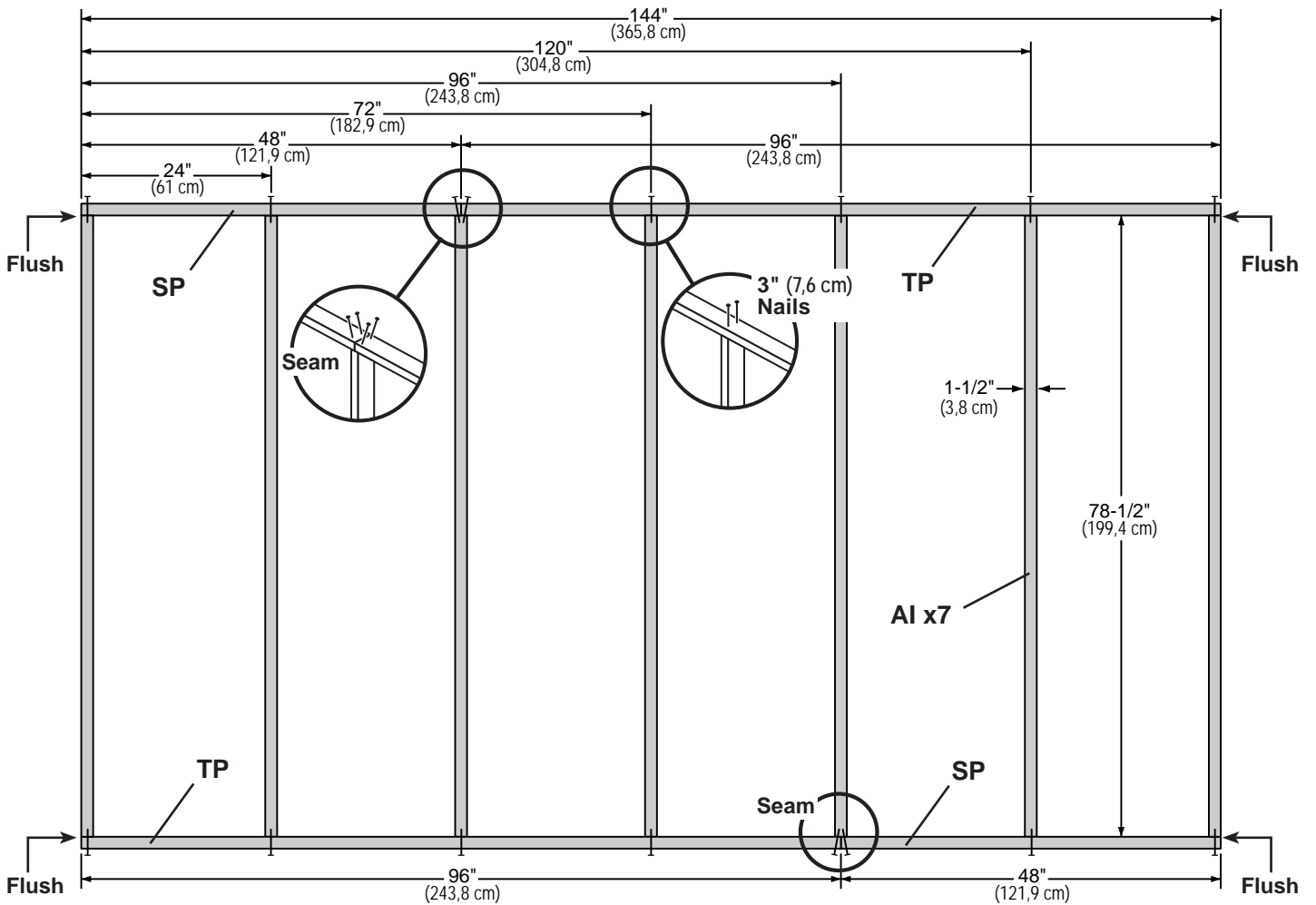
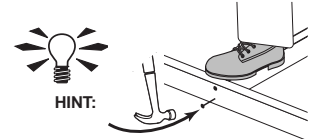
x32  3" (7,6 cm)



✓ BEGIN

1 Orient parts on edge on floor as shown. Measure and mark from end of boards.

Secure with (2) 3" nails at each connection and (4) 3" nails at seams.



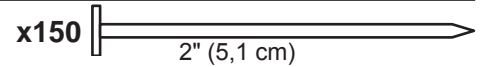
12' GABLE WALL 02

PARTS REQUIRED:

x3



48 x 84"
(121,9 x 213,4 cm)

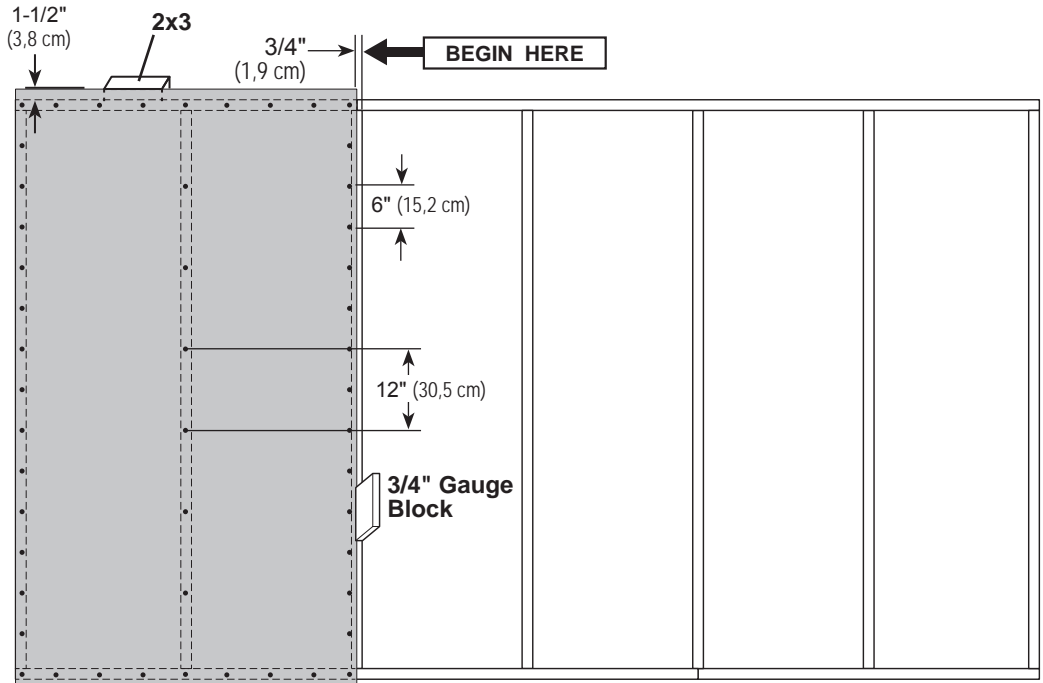


2

Install **48" x 84"** panel 1-1/2" from the top plate.

Use a 2x3 spacer for consistent measurement.

Secure panel with 2" nails spaced 6" apart on edges and 12" inside panel.

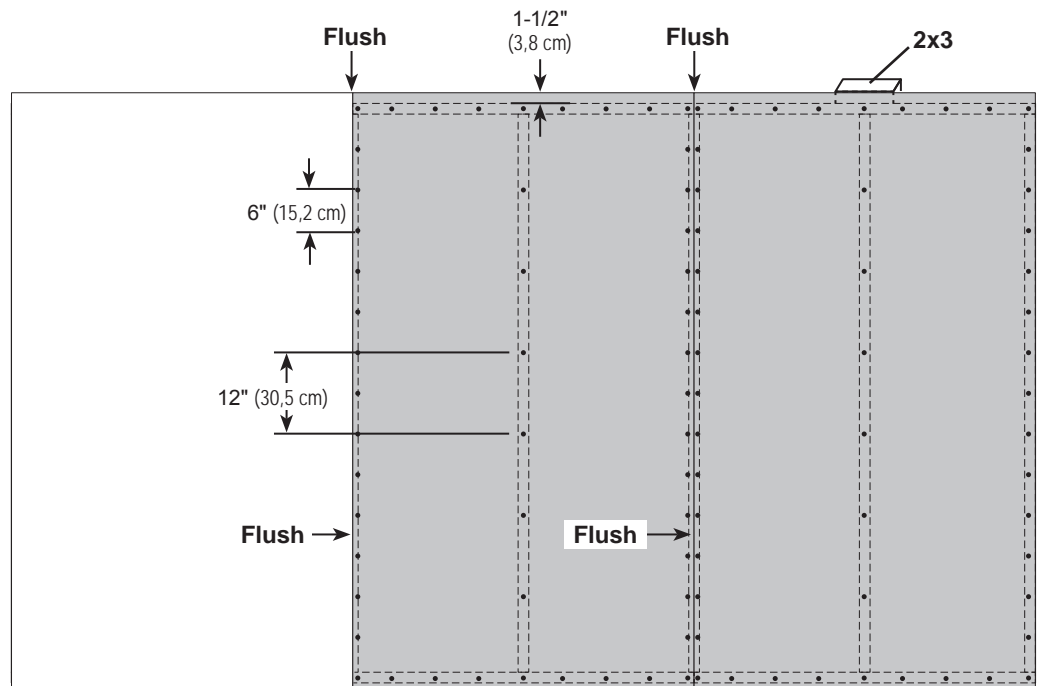


3

Install (2) **48" x 84"** panels flush to installed panels.

Locate panels 1-1/2" from the top plate.

Secure with 2" nails spaced 6" apart on edges and 12" apart inside panel.



Your 12' gable wall 02 is now assembled.
Carefully flip the wall over.

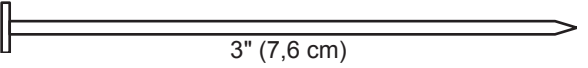
12' GABLE WALL 03

PARTS REQUIRED:

x2 **SP**
2 x 4 x 48" (5,1 x 10,2 x 121,9 cm)

x7 **AI**
2 x 4 x 78-1/2" (5,1 x 10,2 x 199,4 cm)

x2 **TP**
2 x 4 x 96" (5,1 x 10,2 x 243,8 cm)

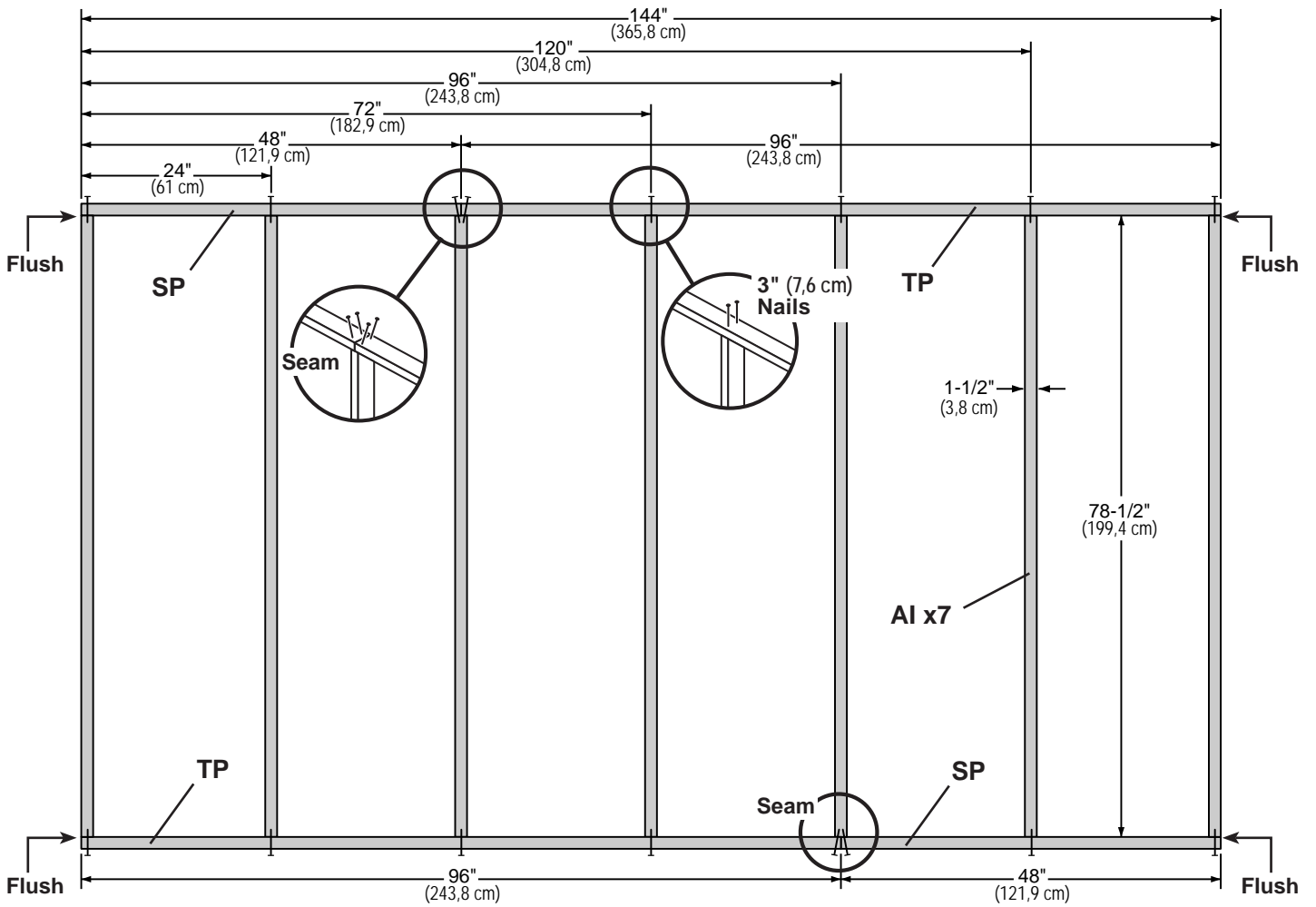
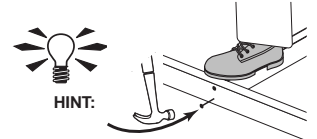
x32  3" (7,6 cm)



✓ BEGIN

1 Orient parts on edge on floor as shown. Measure and mark from end of boards.

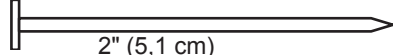
Secure with (2) 3" nails at each connection and (4) 3" nails at seams.



12' GABLE WALL 03

PARTS REQUIRED:

- x2  23-7/8 x 84" (60,6 x 213,4 cm)
- x2  48 x 84" (121,9 x 213,4 cm)

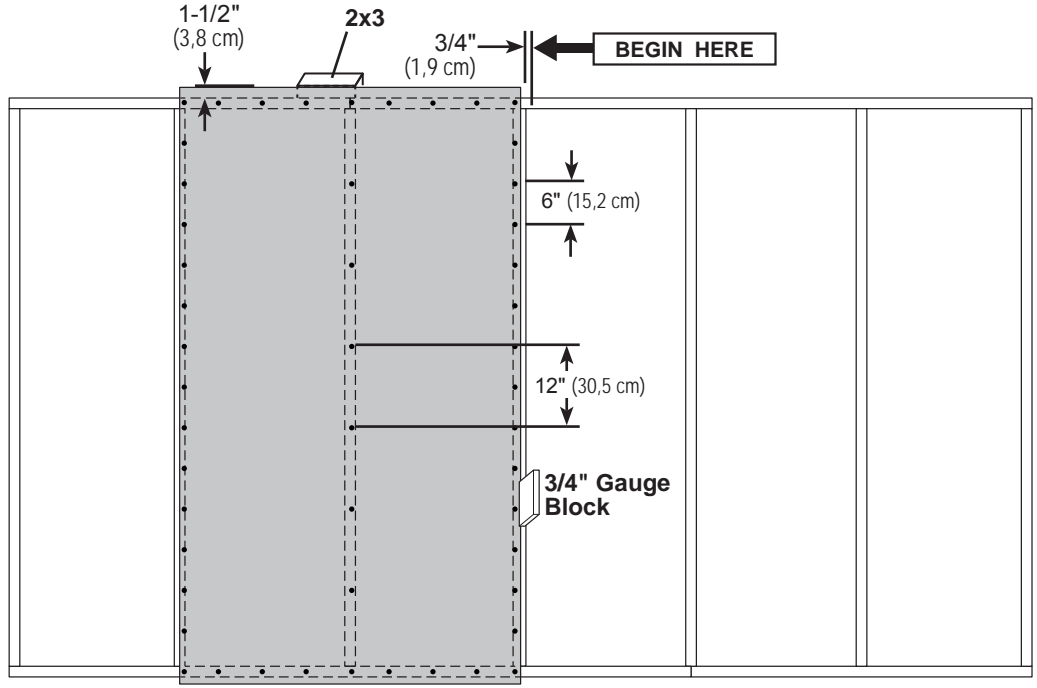
x142  2" (5,1 cm)



2
Install 48" x 84" panel 1-1/2" from the top plate.

Use a 2x3 spacer for consistent measurement.

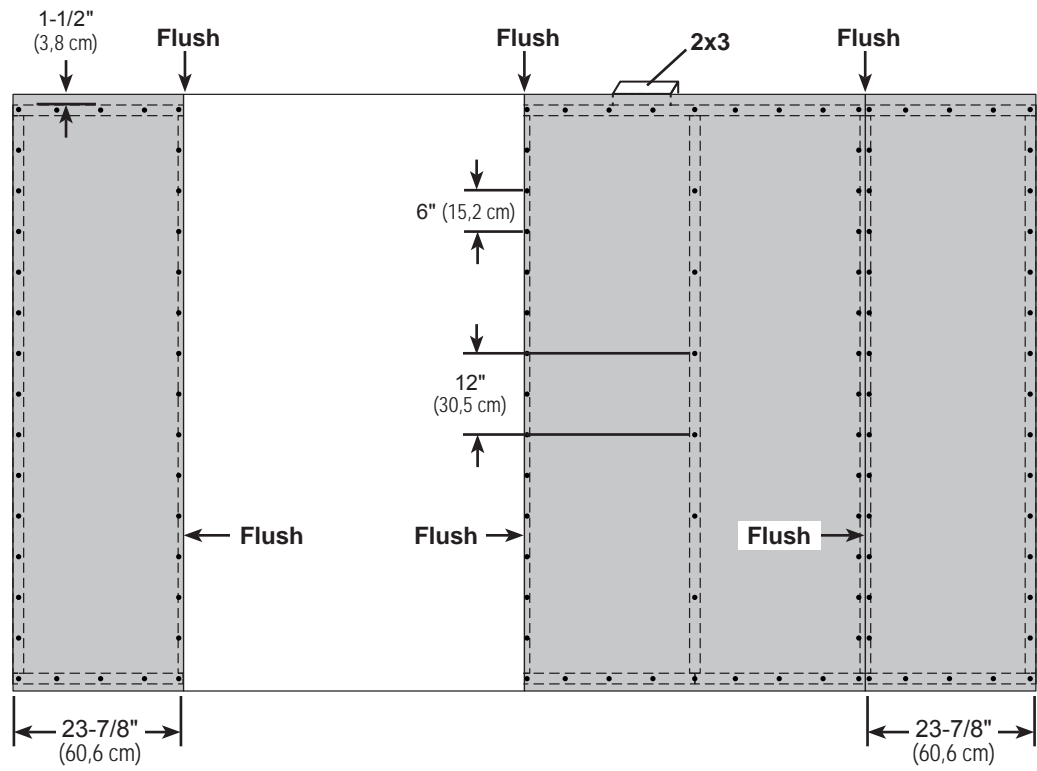
Secure panel with 2" nails spaced 6" apart on edges and 12" inside panel.



3
Install (1) 48" x 84" and (2) 23-7/8" x 84" panels flush to installed panels.

Locate panels 1-1/2" from the top plate.

Secure with 2" nails spaced 6" apart on edges and 12" apart inside panel.

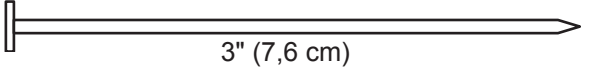


Your 12' gable wall 03 is now assembled.
Carefully flip the wall over.

12' EAVE WALL 04

PARTS REQUIRED:

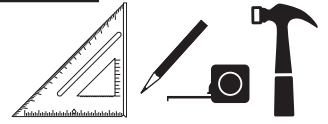
x1 **HVC**
2 x 4 x 44-3/8" (5,1 x 10,2 x 112,7 cm)

x24  3" (7,6 cm)

x2 **YFA**
2 x 4 x 68-1/2" (5,1 x 10,2 x 174 cm)

x1 **TJ**
2 x 4 x 92-5/8" (5,1 x 10,2 x 235 cm)

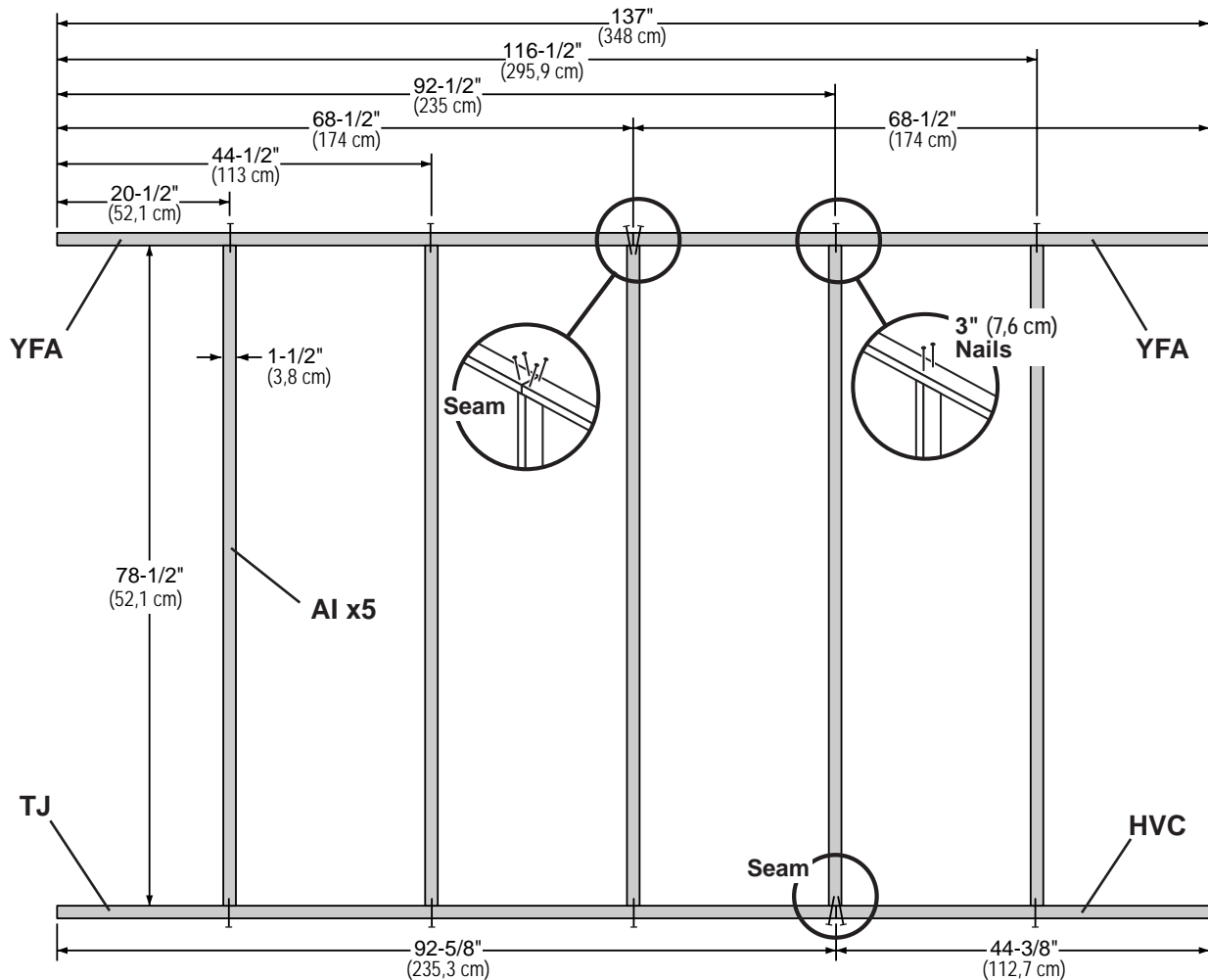
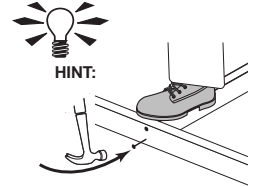
x5 **AI**
2 x 4 x 78-1/2" (5,1 x 10,2 x 199,4 cm)



✓ BEGIN

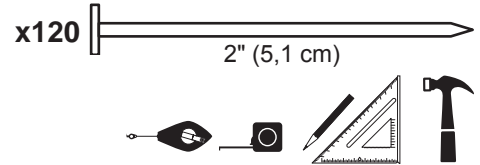
1 Orient parts on edge on floor. Measure and mark from end of boards.

Secure with (2) 3" nails at each connection and (4) 3" nails at seams.



12' EAVE WALL 04

PARTS REQUIRED:

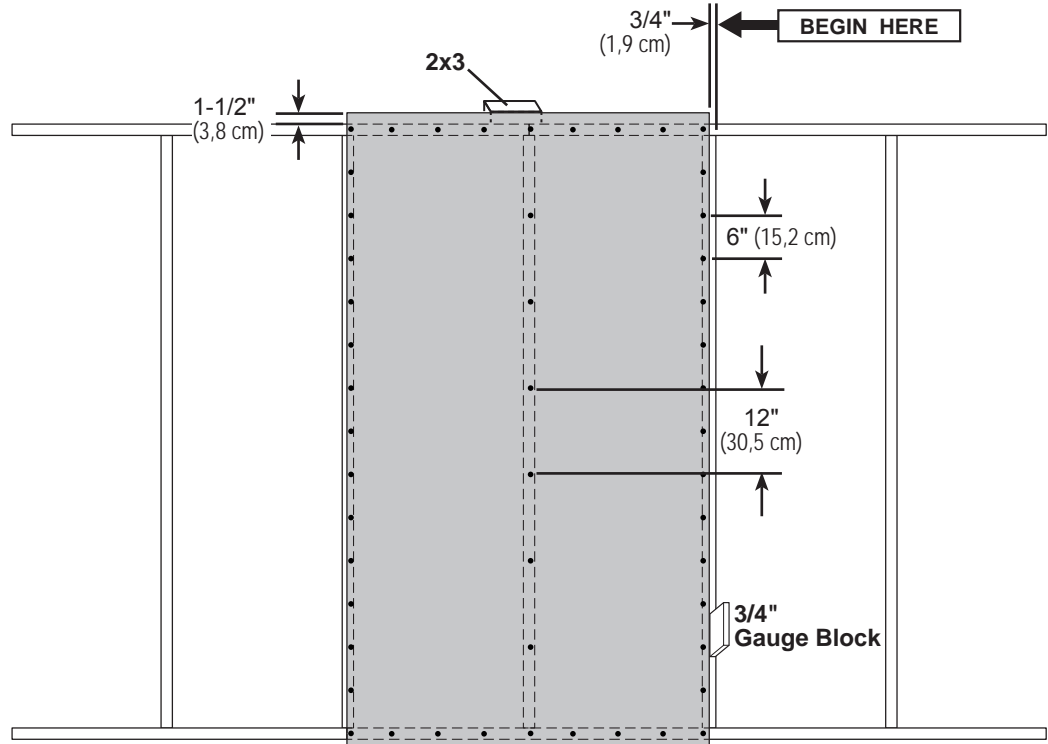


2

Install 48" x 84" panel 1-1/2" from the top plate.

Use a 2x3 spacer for consistent measurement.

Secure panel with 2" nails spaced 6" apart on edges and 12" inside panel.

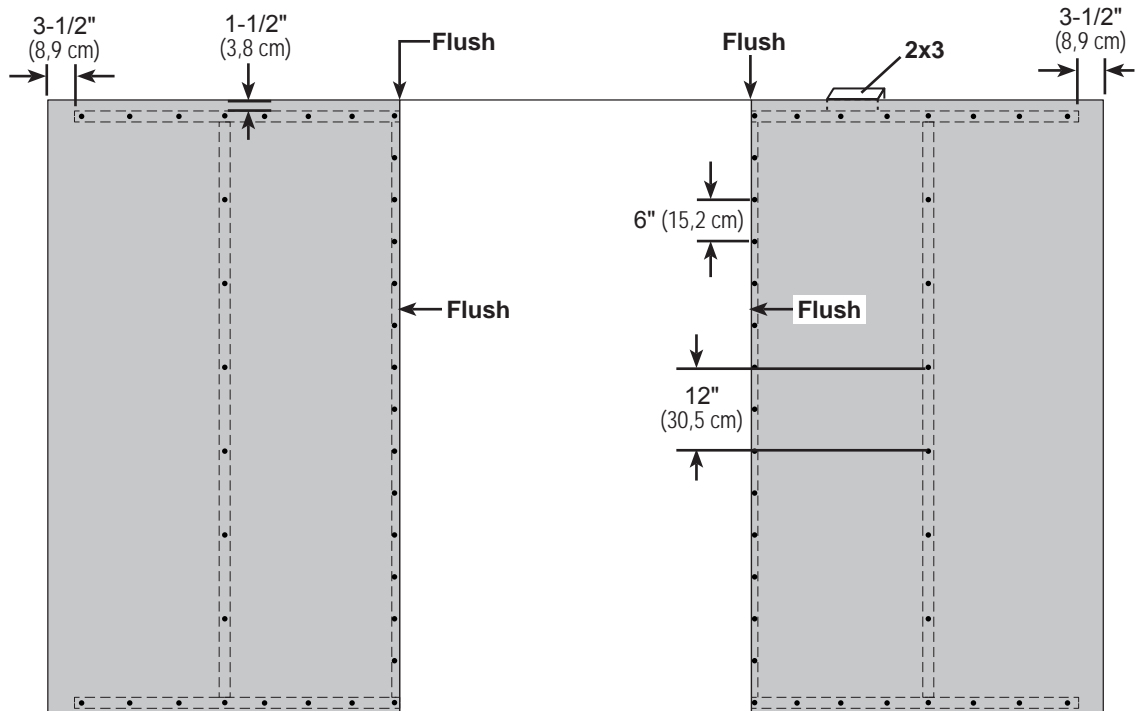


3

Install next (2) 48" x 84" panels flush to installed panel.

Locate panels 1-1/2" from the top plate.

Secure with 2" nails spaced 6" apart on edges and 12" inside panel.



Your 12' eave wall 04 is now assembled.
Carefully flip the wall over.

12' EAVE WALL 05 WITH DOOR

PARTS REQUIRED:

x2 **YFA**
2 x 4 x 68-1/2" (5,1 x 10,2 x 174 cm)

x4 **AI**
2 x 4 x 78-1/2" (5,1 x 10,2 x 199,4 cm)

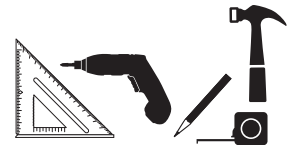
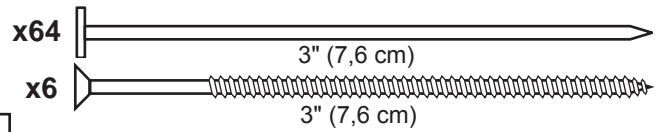
x1 **TJ**
2 x 4 x 92-5/8" (5,1 x 10,2 x 235 cm)

x1 **Pre Assembled Header**

x5 **AL**
2 x 4 x 7" (5,1 x 10,2 x 17,8 cm)

x1 **HVC**
2 x 4 x 44-3/8" (5,1 x 10,2 x 112,7 cm)

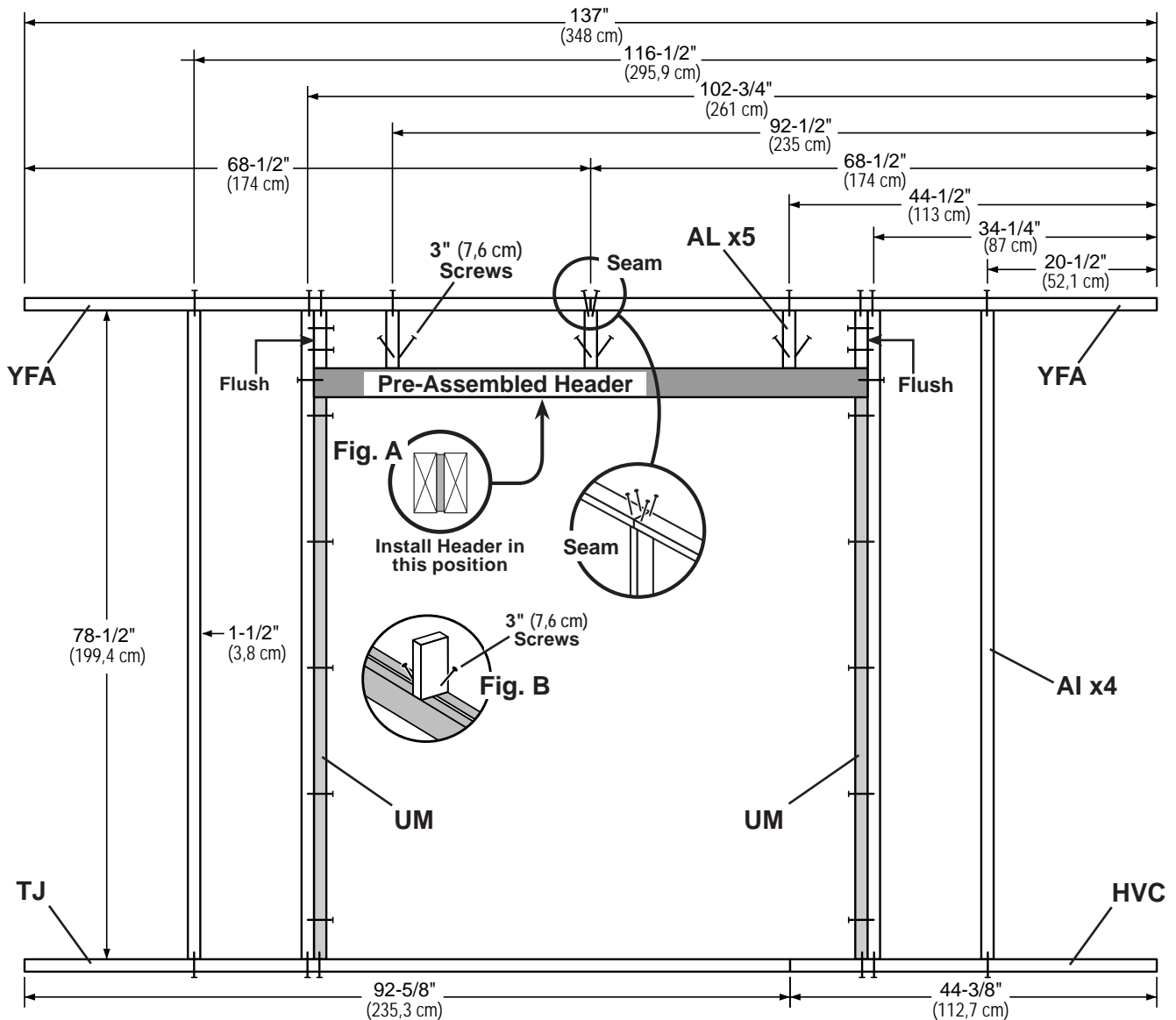
x2 **UM**
2 x 4 x 68" (5,1 x 10,2 x 172,7 cm)



✓ BEGIN

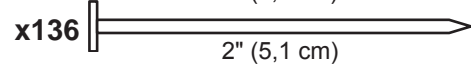
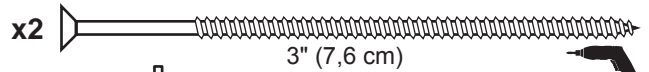
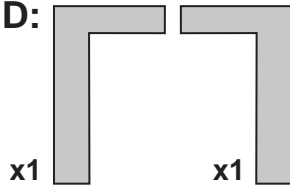
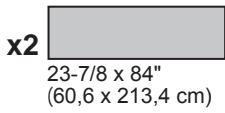
- 1 Orient parts on edge on floor as shown. Measure and mark from end of boards.
Orient **Pre Assembled Header** as shown (**Fig. A**).
Secure with (2) 3" nails at each connection and (4) 3" nails at seams.

- 2 Fasten (3) middle parts **AL** to **Pre Assembled Header** with (2) 3" screws (**Fig. B**).
Fasten (2) end **AL** to studs **AI** with (4) 3" nails at each side.
Secure parts **AL** to top plates with (2) 3" nails at each connection and (4) 3" nails at seam.



12' EAVE WALL 05 WITH DOOR

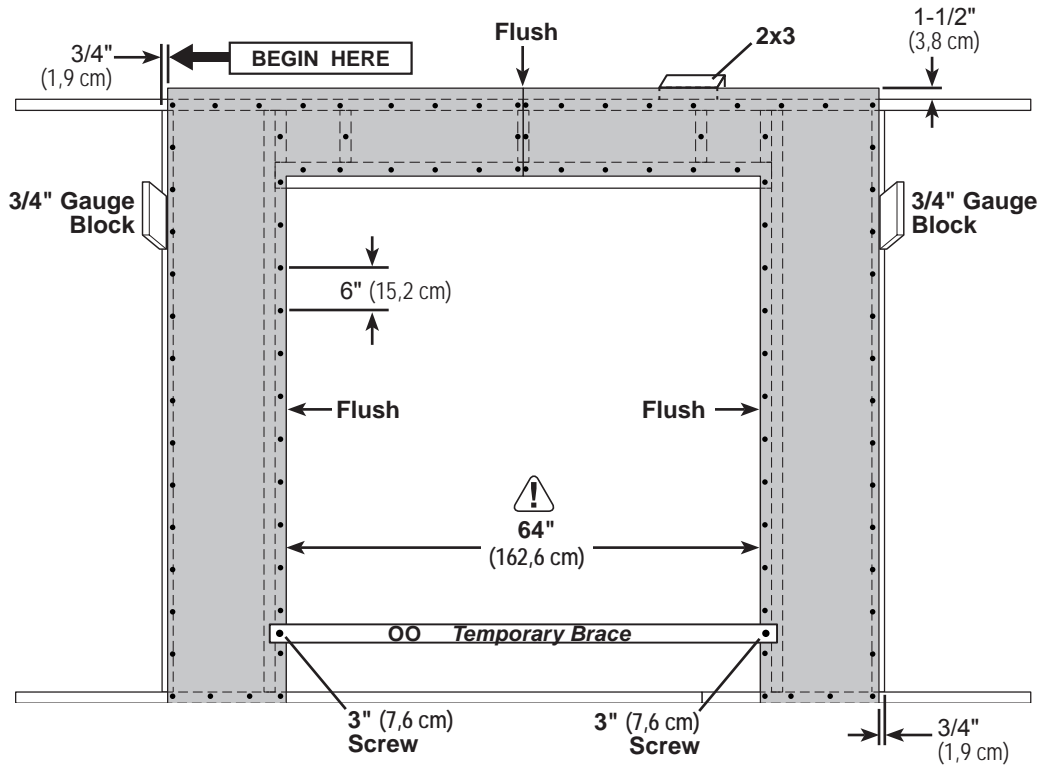
PARTS REQUIRED:



3 Install the left panel 1-1/2" from the top plate. Use a 2x3 spacer for consistent measurement. Secure panel with 2" nails spaced 6" apart on edges.

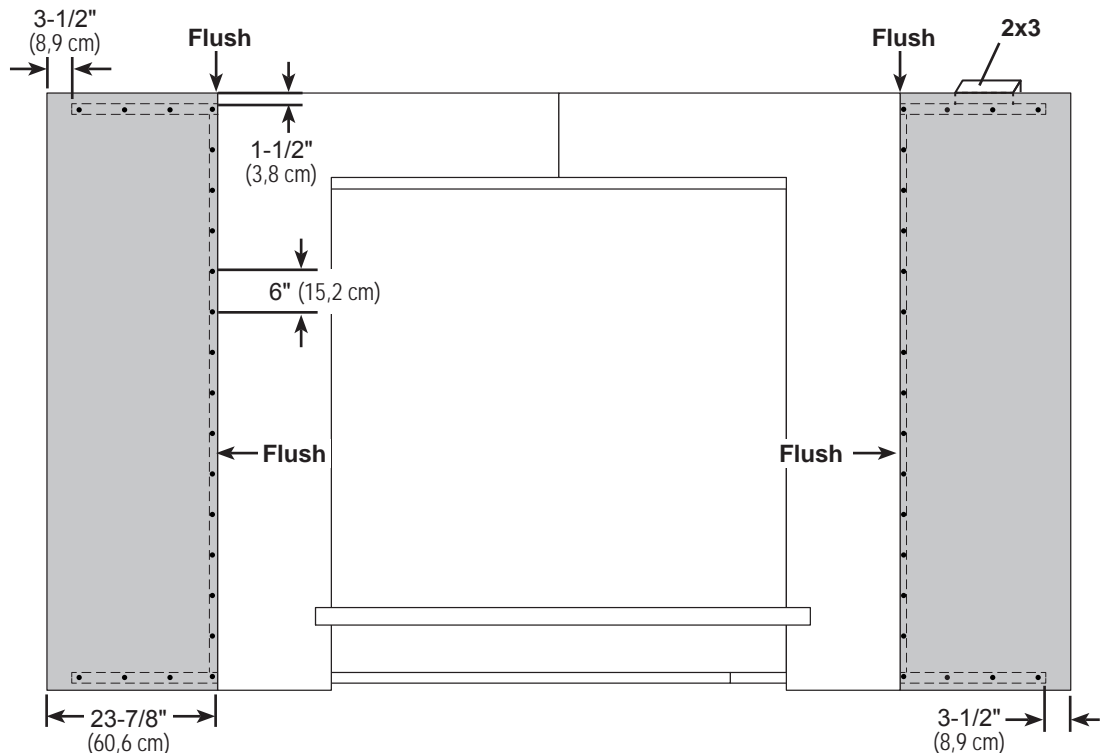
4 Install the right panel flush to installed panel, as shown. Ensure 64" (162,8 cm) door measurement. Use part OO as a temporary brace. Secure with (2) 3" screws.

Secure panels with 2" nails spaced 6" apart on edges.



5 Install (2) 11-7/8" x 84" panels flush to installed panels and 1-1/2" from the top plate.

Secure panels with 2" nails spaced 6" apart on edges.



Your 12' eave wall 05 with door is now assembled. Carefully flip the wall over.

12' EAVE WALL 06 WITH DOOR

PARTS REQUIRED:

x2 **YFA**
2 x 4 x 68-1/2" (5,1 x 10,2 x 174 cm)

x4 **AI**
2 x 4 x 78-1/2" (5,1 x 10,2 x 199,4 cm)

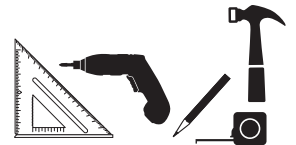
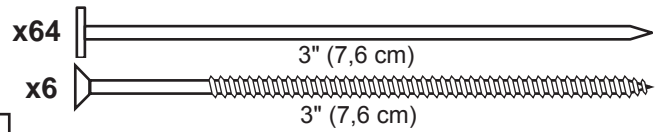
x1 **TJ**
2 x 4 x 92-5/8" (5,1 x 10,2 x 235 cm)

x1 **Pre Assembled Header**

x5 **AL**
2 x 4 x 7" (5,1 x 10,2 x 17,8 cm)

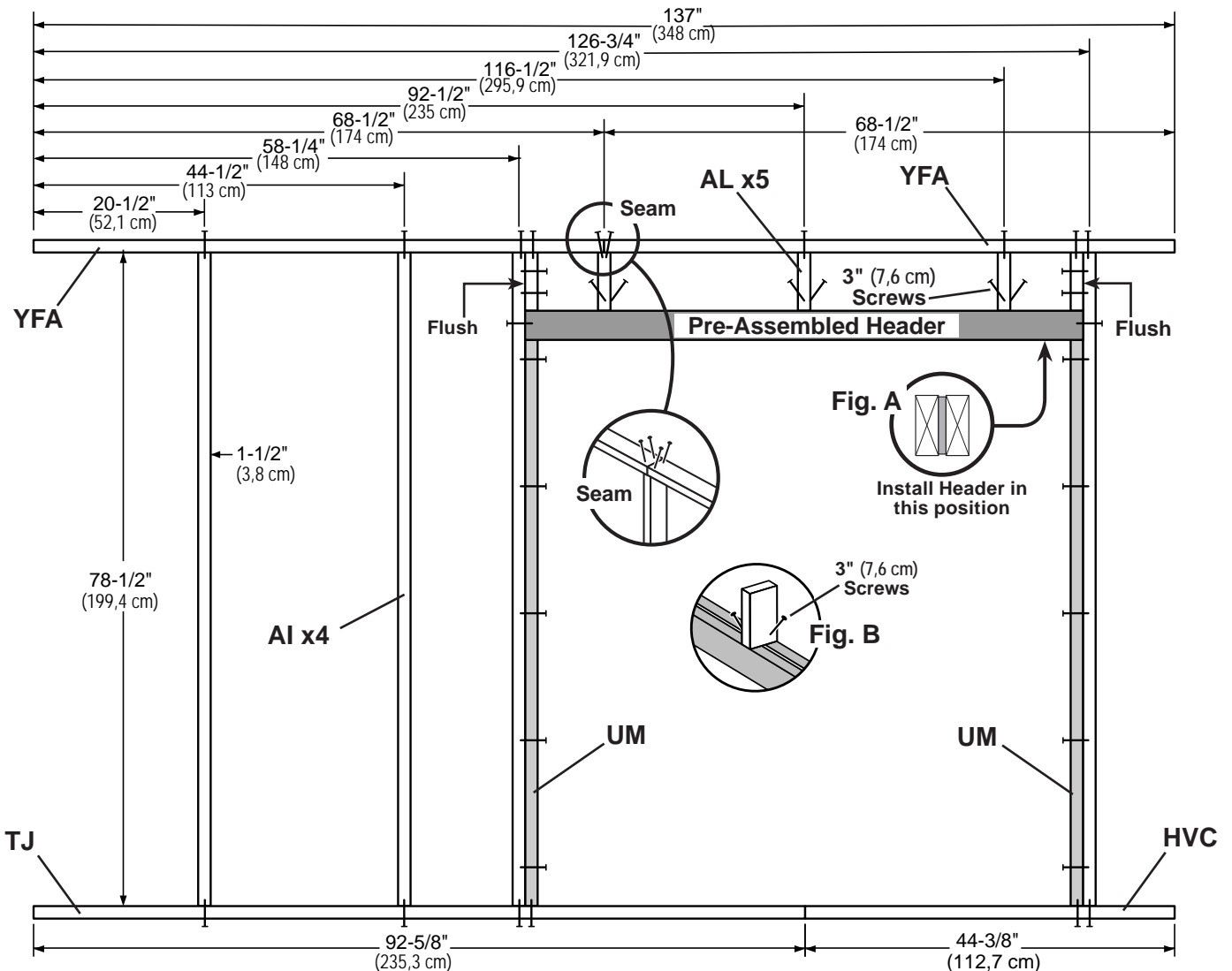
x1 **HVC**
2 x 4 x 44-3/8" (5,1 x 10,2 x 112,7 cm)

x2 **UM**
2 x 4 x 68" (5,1 x 10,2 x 172,7 cm)



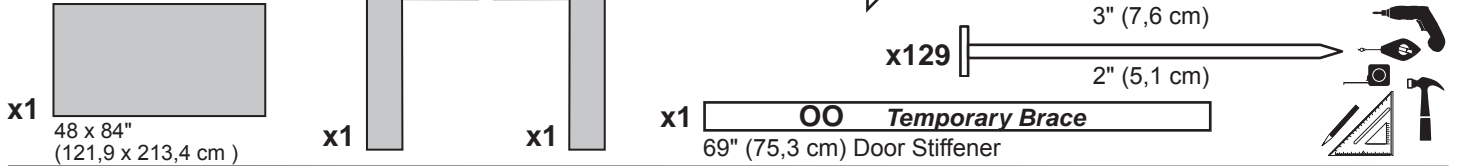
✓ BEGIN

- 1** Orient parts on edge on floor as shown. Measure and mark from end of boards.
Orient **Pre Assembled Header** as shown (**Fig. A**).
Secure with (2) 3" nails at each connection and (4) 3" nails at seams.
- 2** Fasten (3) middle parts **AL** to **Pre Assembled Header** with (2) 3" screws (**Fig. B**).
Fasten (2) end **AL** to studs **AI** with (4) 3" nails at each side.
Secure parts **AL** to top plates with (2) 3" nails at each connection and (4) 3" nails at seam.



12' EAVE WALL 06 WITH DOOR

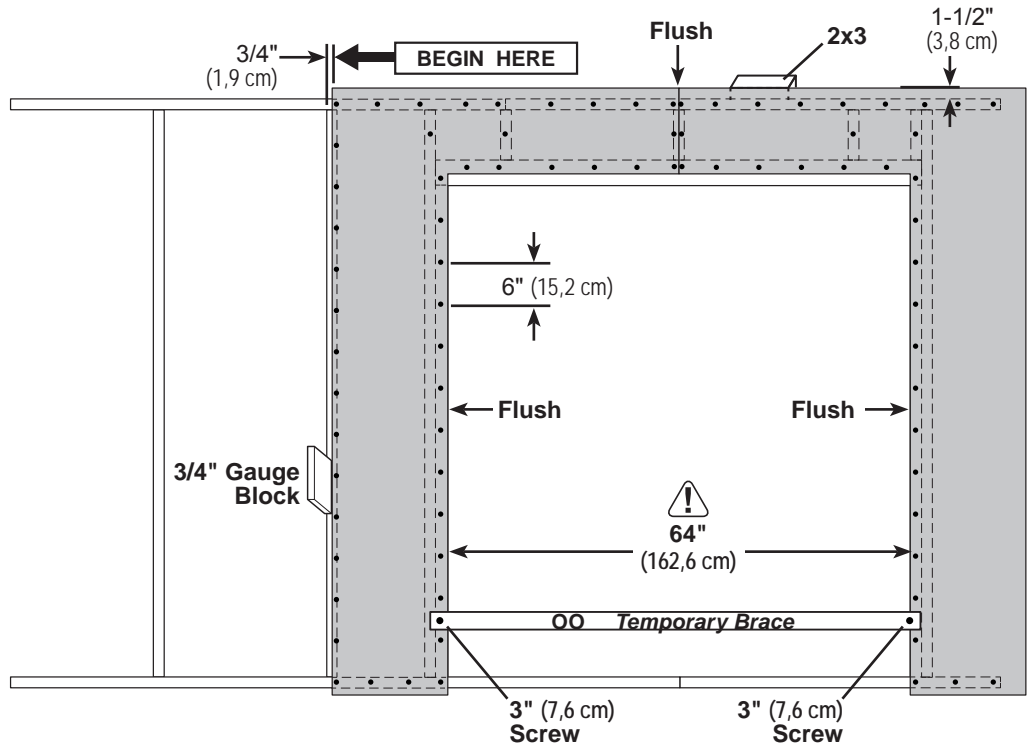
PARTS REQUIRED:



3 Install the left panel 1-1/2" from the top plate. Use a 2x3 spacer for consistent measurement. Secure panel with 2" nails spaced 6" apart on edges.

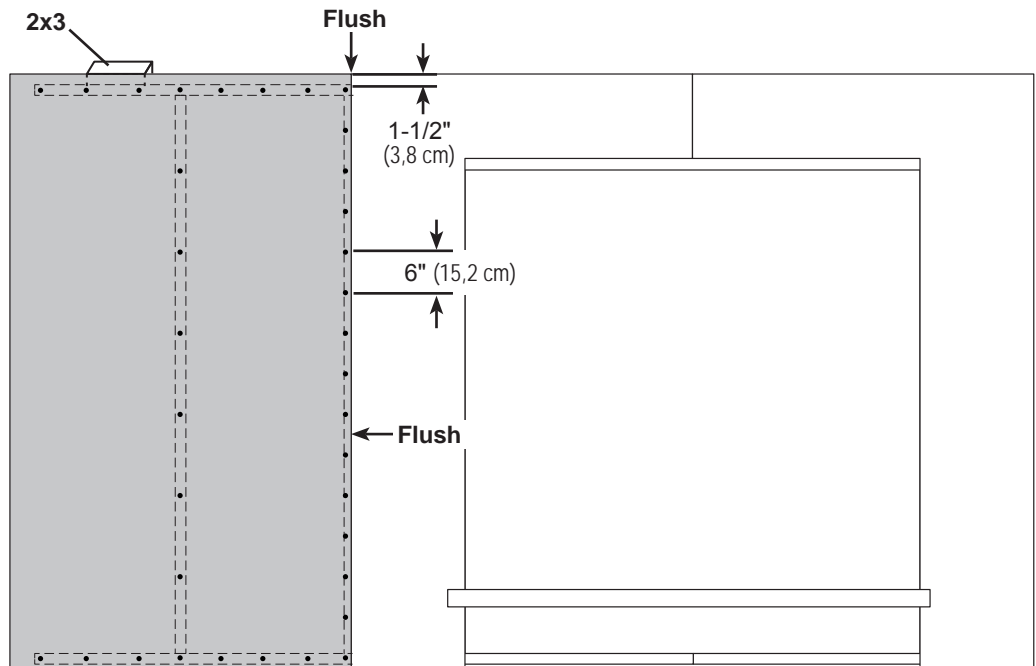
4 Install the right panel flush to installed panel, as shown. Ensure 64" (162,8 cm) door measurement. Use part OO as a temporary brace. Secure with (2) 3" screws.

Secure panels with 2" nails spaced 6" apart on edges.



5 Install (1) 48" x 84" panel flush to installed panels and 1-1/2" from the top plate.

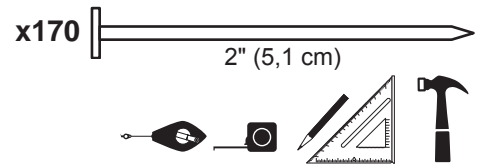
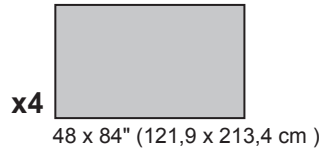
Secure panels with 2" nails spaced 6" apart on edges.



Your 12' eave wall 06 with door is now assembled. Carefully flip the wall over.

16' EAVE WALL 07

PARTS REQUIRED:

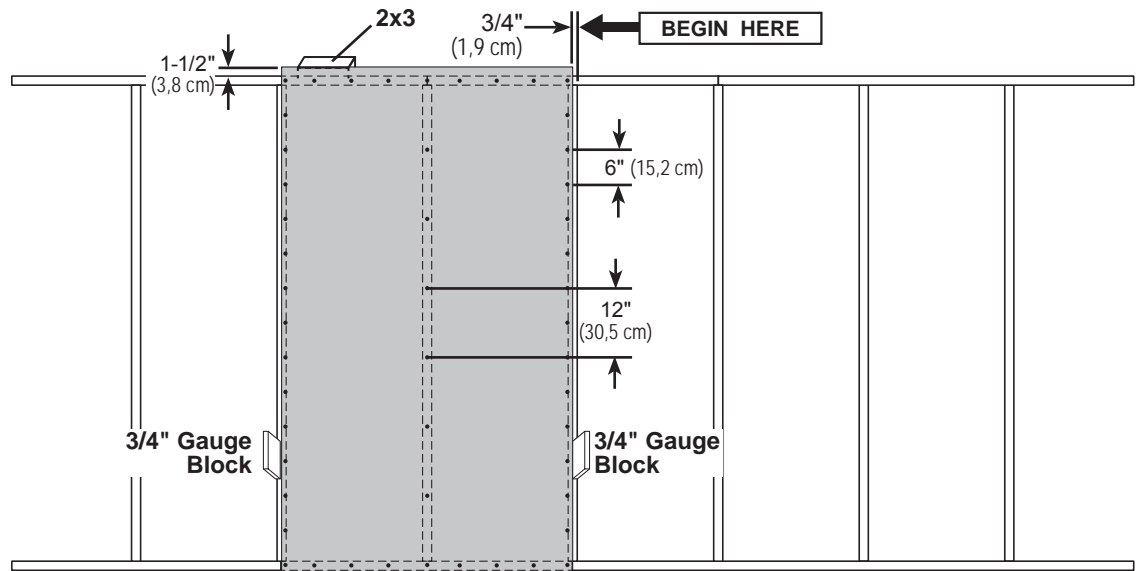


2

Install (1) 48" x 84" panel 1-1/2" from the top plate.

Use a 2x3 spacer for consistent measurement.

Secure panel with 2" nails spaced 6" apart on edges and 12" inside panel.

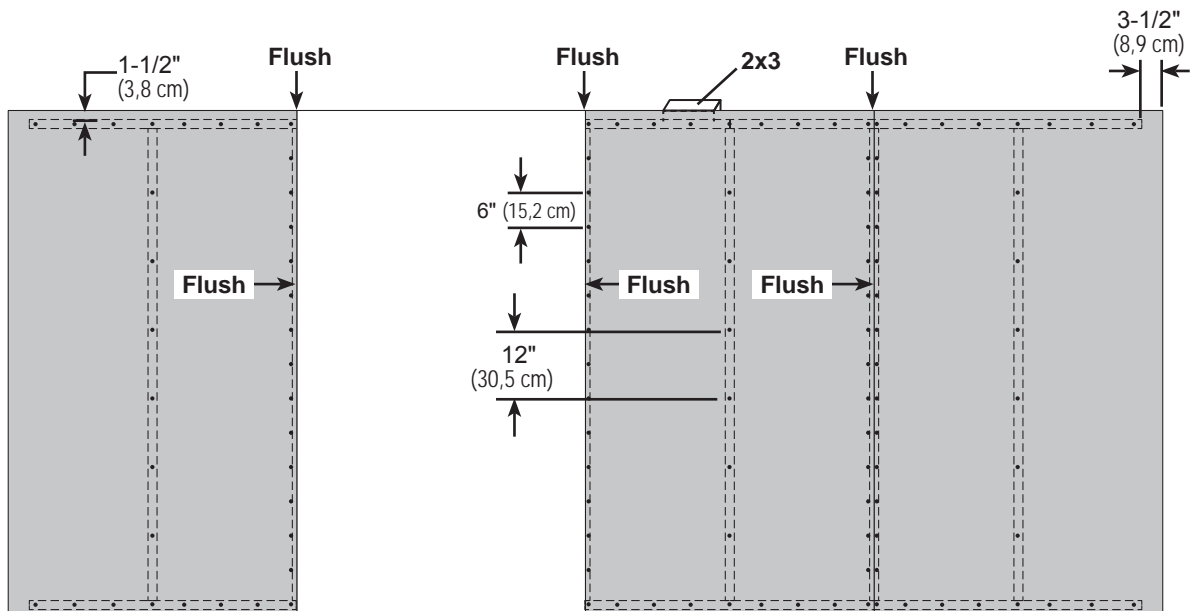


3

Install (3) 48" x 84" panels flush to installed panels.

Locate panels 1-1/2" from the top plate.

Secure with 2" nails spaced 6" apart on edges and 12" apart inside panel.



Your 16' eave wall 07 is now assembled.
Carefully flip the wall over.

16' EAVE WALL 08

PARTS REQUIRED:

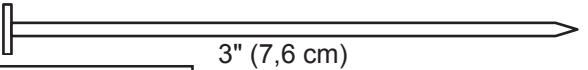
x1 **HVC**
2 x 4 x 44-3/8" (5,1 x 10,2 x 112,7 cm)

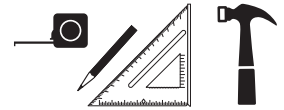
x2 **SP**
2 x 4 x 48" (5,1 x 10,2 x 121,9 cm)

x2 **YFA**
2 x 4 x 68-1/2" (5,1 x 10,2 x 174 cm)

x7 **AI**
2 x 4 x 78-1/2" (5,1 x 10,2 x 199,4 cm)

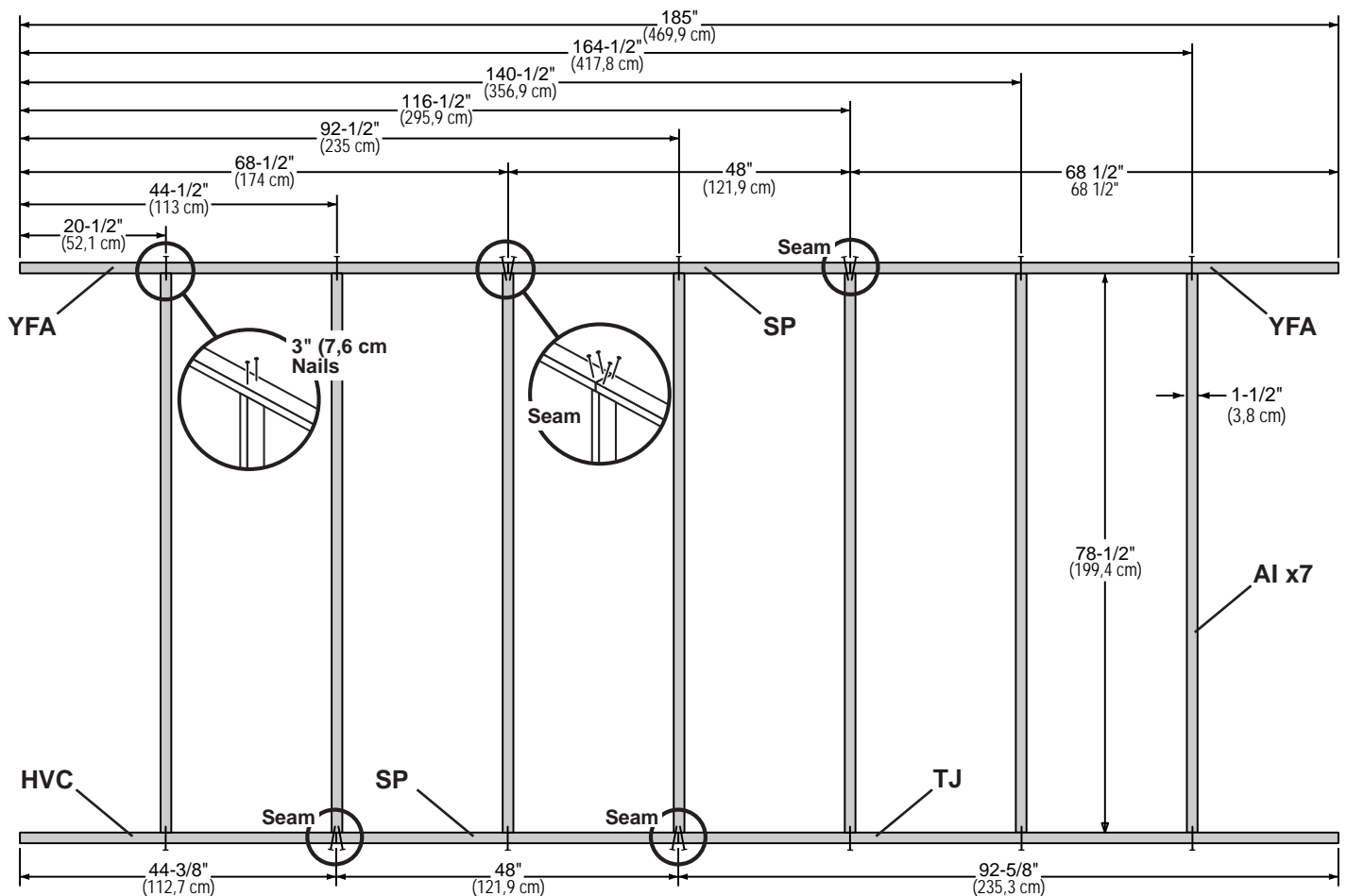
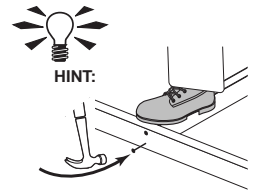
x1 **TJ**
2 x 4 x 92-5/8" (5,1 x 10,2 x 235 cm)

x36  3" (7,6 cm)



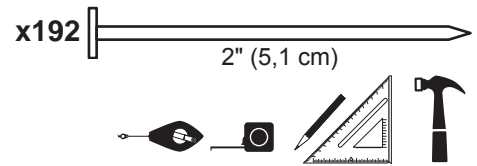
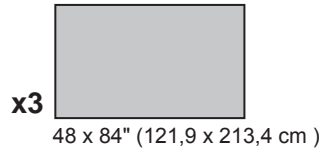
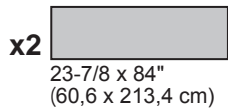
✓ BEGIN

- 1 Orient parts on edge on floor. Measure and mark from end of boards.
Secure with (2) 3" nails at each connection and (4) 3" nails at seams.



16' EAVE WALL 08

PARTS REQUIRED:

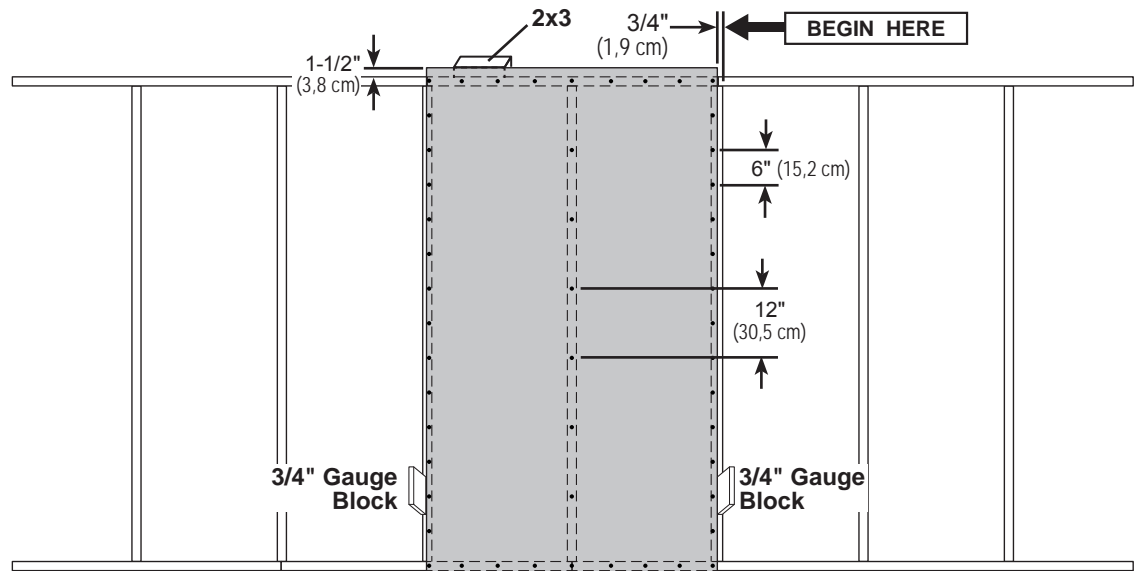


2

Install (1) 48" x 84" panel 1-1/2" from the top plate.

Use a 2x3 spacer for consistent measurement.

Secure panel with 2" nails spaced 6" apart on edges and 12" inside panel.

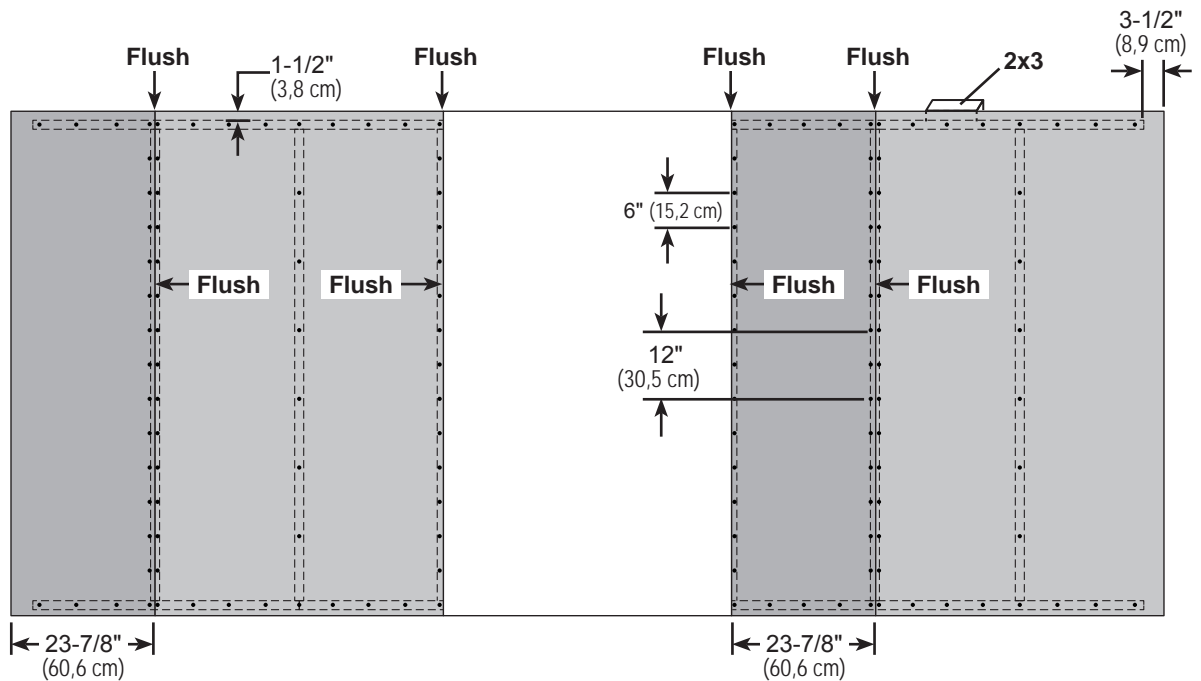


3

Install (2) 48" x 84" and (2) 23-7/8" x 84" panels flush to installed panels.

Locate panels 1-1/2" from the top plate.

Secure with 2" nails spaced 6" apart on edges and 12" apart inside panel.



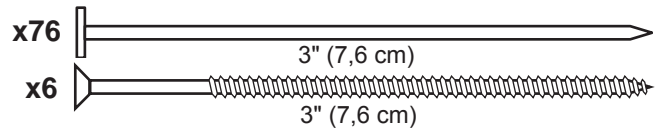
Your 16' eave wall 08 is now assembled.
Carefully flip the wall over.

16' EAVE WALL 09 WITH DOOR

PARTS REQUIRED:

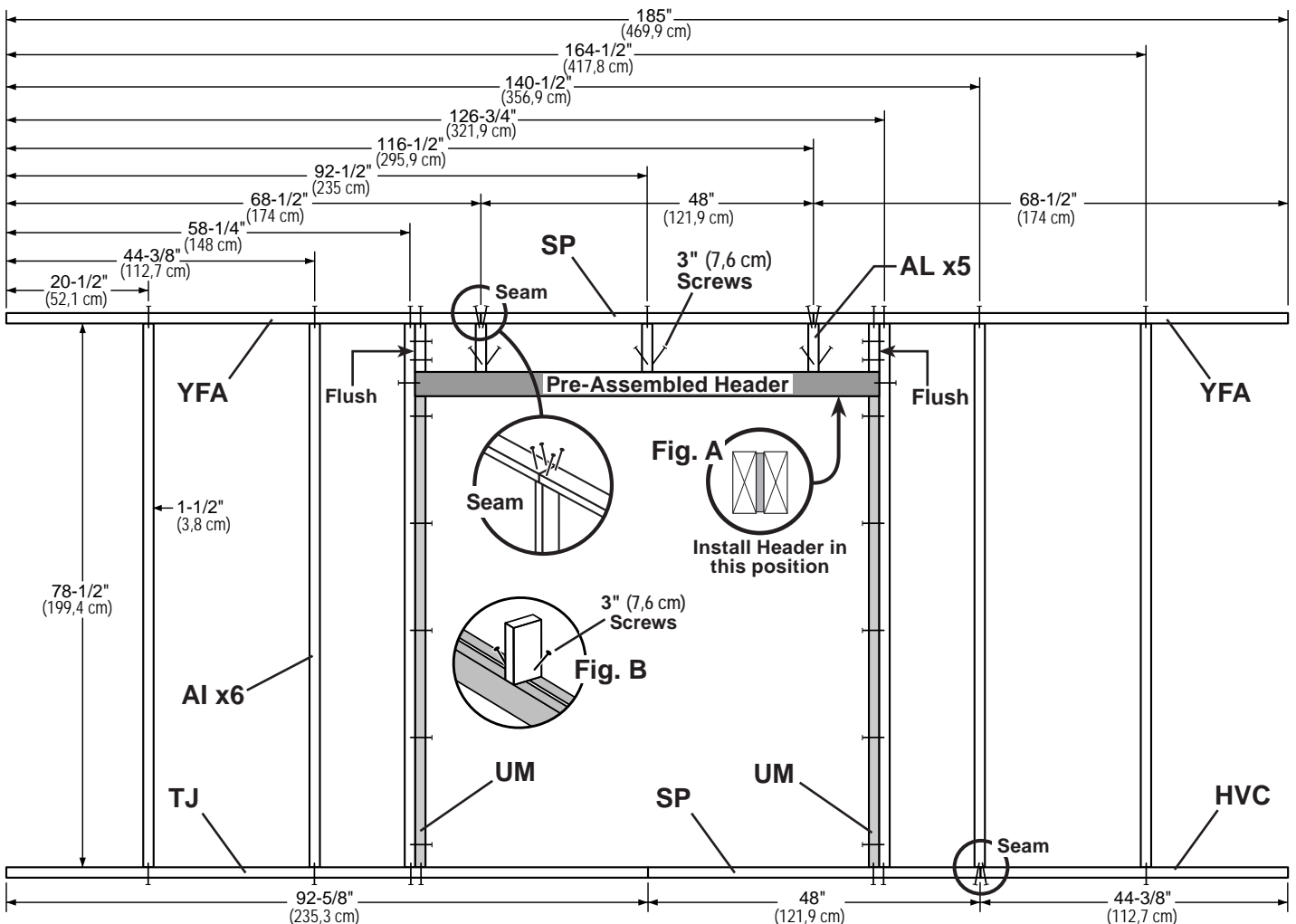
- x5 **AL**
2 x 4 x 7" (5,1 x 10,2 x 17,8 cm)
- x2 **SP**
2 x 4 x 48" (5,1 x 10,2 x 121,9 cm)
- x2 **UM**
2 x 4 x 68" (5,1 x 10,2 x 172,7 cm)
- x2 **YFA**
2 x 4 x 68-1/2" (5,1 x 10,2 x 174 cm)
- Pre Assembled Header**
- x1 **TJ**
2 x 4 x 92-5/8" (5,1 x 10,2 x 235 cm)

- x1 **HVC**
2 x 4 x 44-3/8" (5,1 x 10,2 x 112,7 cm)
- x6 **AI**
2 x 4 x 78-1/2" (5,1 x 10,2 x 199,4 cm)
- x1 **TJ**
2 x 4 x 92-5/8" (5,1 x 10,2 x 235 cm)



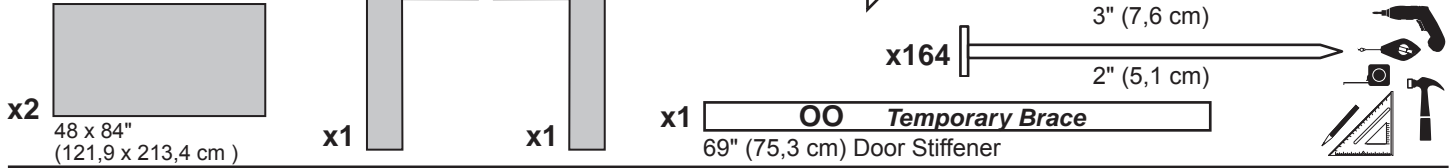
✓ BEGIN

- 1** Orient parts on edge on floor as shown. Measure and mark from end of boards.
Orient **Pre Assembled Header** as shown (**Fig. A**).
Secure with (2) 3" nails at each connection and (4) 3" nails at seams.
- 2** Fasten (3) middle parts **AL** to **Pre Assembled Header** with (2) 3" screws (**Fig. B**).
Fasten (2) end **AL** to studs **AI** with (4) 3" nails at each side.
Secure parts **AL** to top plates with (2) 3" nails at each connection and (4) 3" nails at seam.



16' EAVE WALL 09 WITH DOOR

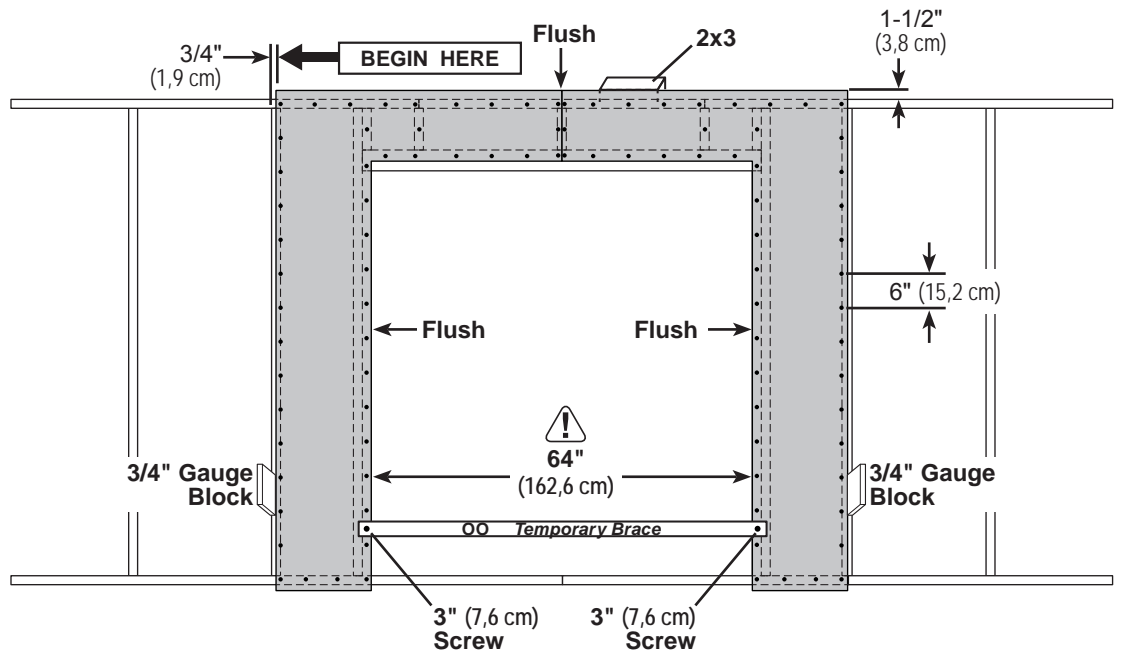
PARTS REQUIRED:



3
 Install the left panel 1-1/2" from the top plate.
 Use a 2x3 spacer for consistent measurement.
 Secure panel with 2" nails spaced 6" apart on edges.

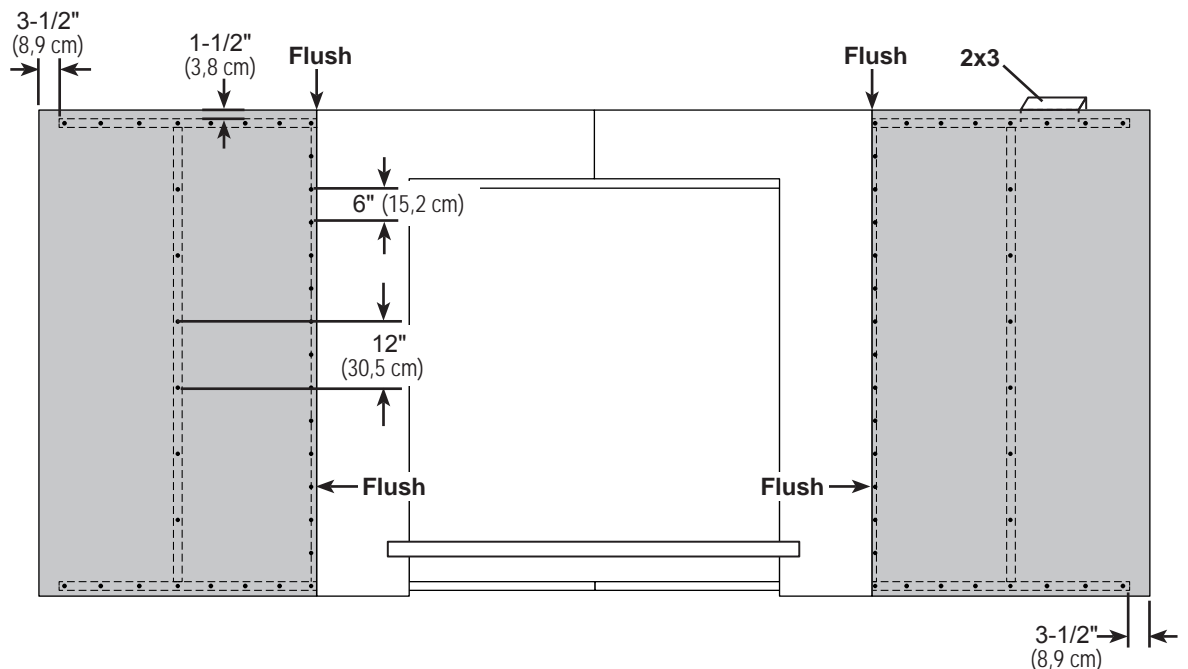
4
 Install the right panel flush to installed panel, as shown.
 Ensure 64" (162,8 cm) door measurement.
 Use part OO as a temporary brace.
 Secure with (2) 3" screws.

Secure panels with 2" nails spaced 6" apart on edges.



5
 Install (2) 48" x 84" panel flush to installed panels and 1-1/2" from the top plate.

Secure with 2" nails spaced 6" apart on edges and 12" apart inside panel.



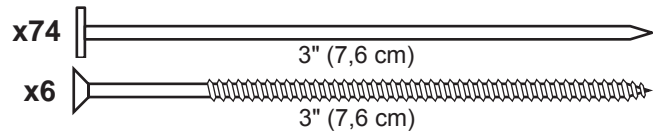
Your 16' eave wall 09 with door is now assembled.
 Carefully flip the wall over.

16' EAVE WALL 10 WITH DOOR

PARTS REQUIRED:

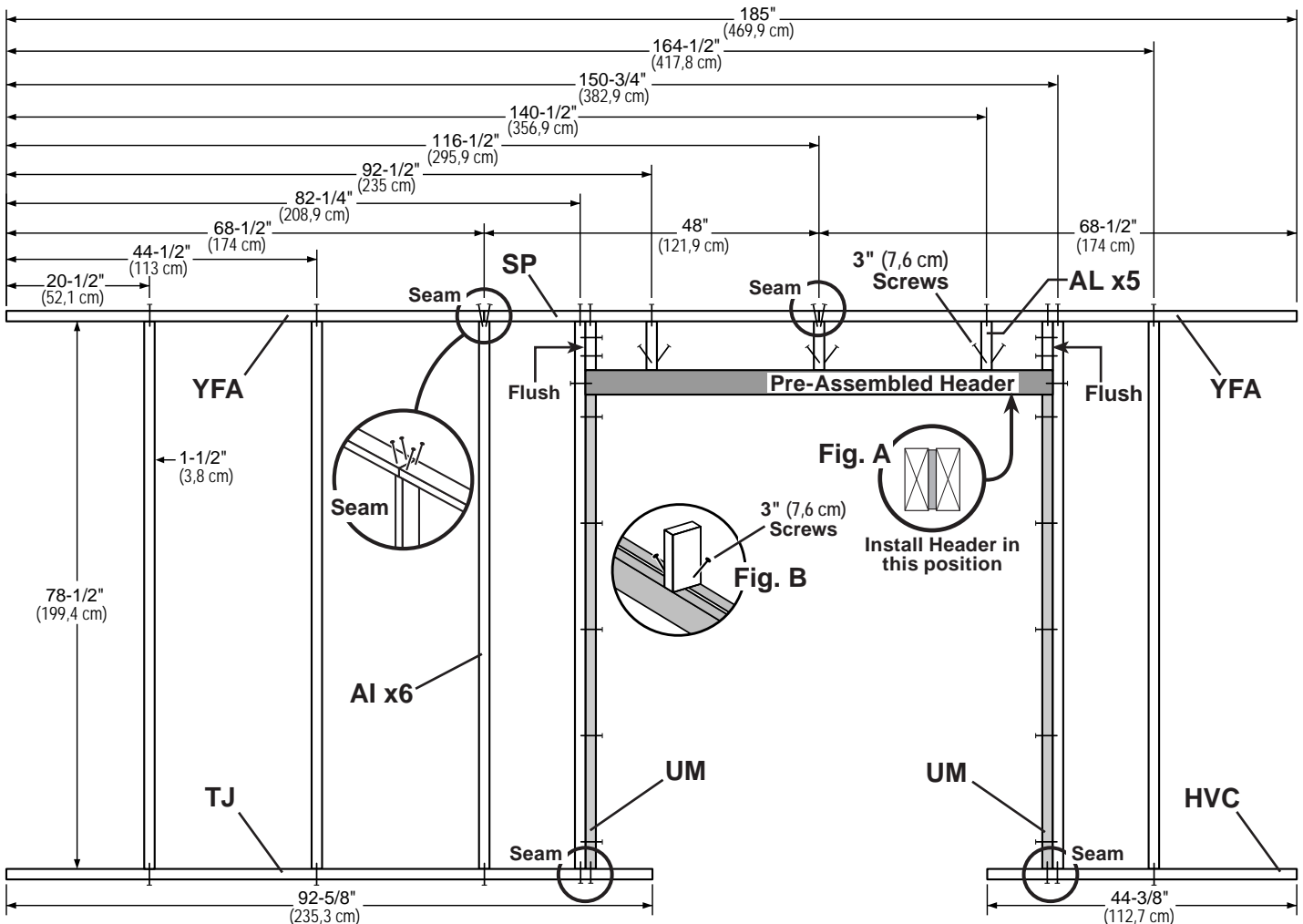
- x5 **AL**
2 x 4 x 7" (5,1 x 10,2 x 17,8 cm)
- x1 **SP**
2 x 4 x 48" (5,1 x 10,2 x 121,9 cm)
- x2 **UM**
2 x 4 x 68" (5,1 x 10,2 x 172,7 cm)
- x2 **YFA**
2 x 4 x 68-1/2" (5,1 x 10,2 x 174 cm)
- Pre Assembled Header**
- x1 **Pre Assembled Header**

- x1 **HVC**
2 x 4 x 44-3/8" (5,1 x 10,2 x 112,7 cm)
- x6 **AI**
2 x 4 x 78-1/2" (5,1 x 10,2 x 199,4 cm)
- x1 **TJ**
2 x 4 x 92-5/8" (5,1 x 10,2 x 235 cm)



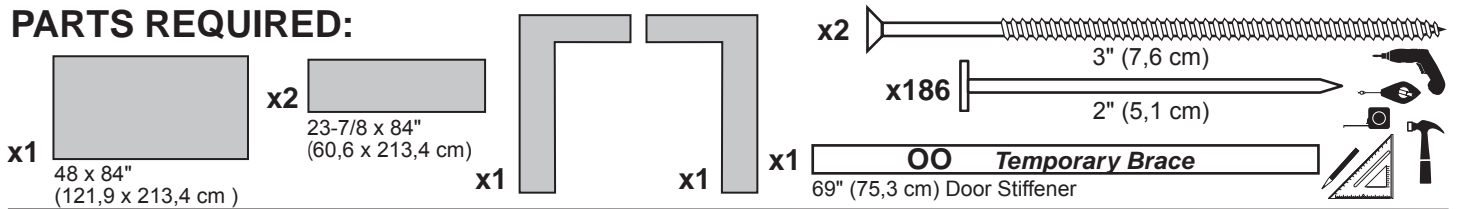
✓ BEGIN

- 1** Orient parts on edge on floor as shown. Measure and mark from end of boards.
Orient **Pre Assembled Header** as shown (**Fig. A**).
Secure with (2) 3" nails at each connection and (4) 3" nails at seams.
- 2** Fasten (3) middle parts **AL** to **Pre Assembled Header** with (2) 3" screws (**Fig. B**).
Fasten (2) end **AL** to studs **AI** with (4) 3" nails at each side.
Secure parts **AL** to top plates with (2) 3" nails at each connection and (4) 3" nails at seam.



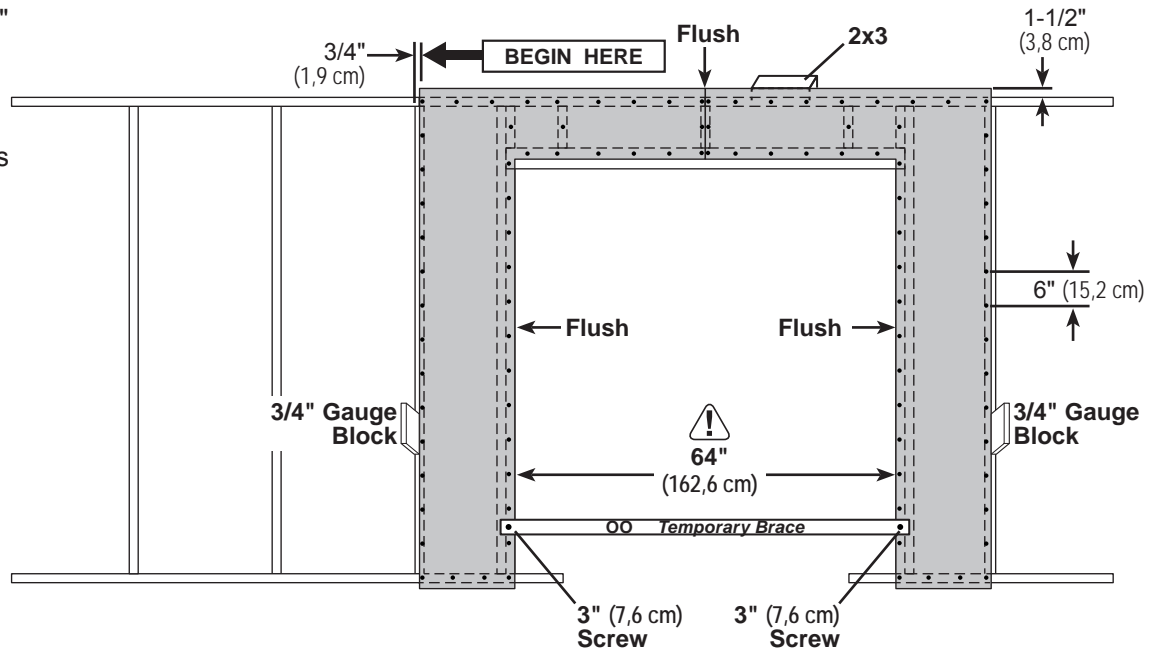
16' EAVE WALL 10 WITH DOOR

PARTS REQUIRED:



3
Install the left panel 1-1/2" from the top plate.
Use a 2x3 spacer for consistent measurement.
Secure panel with 2" nails spaced 6" apart on edges.

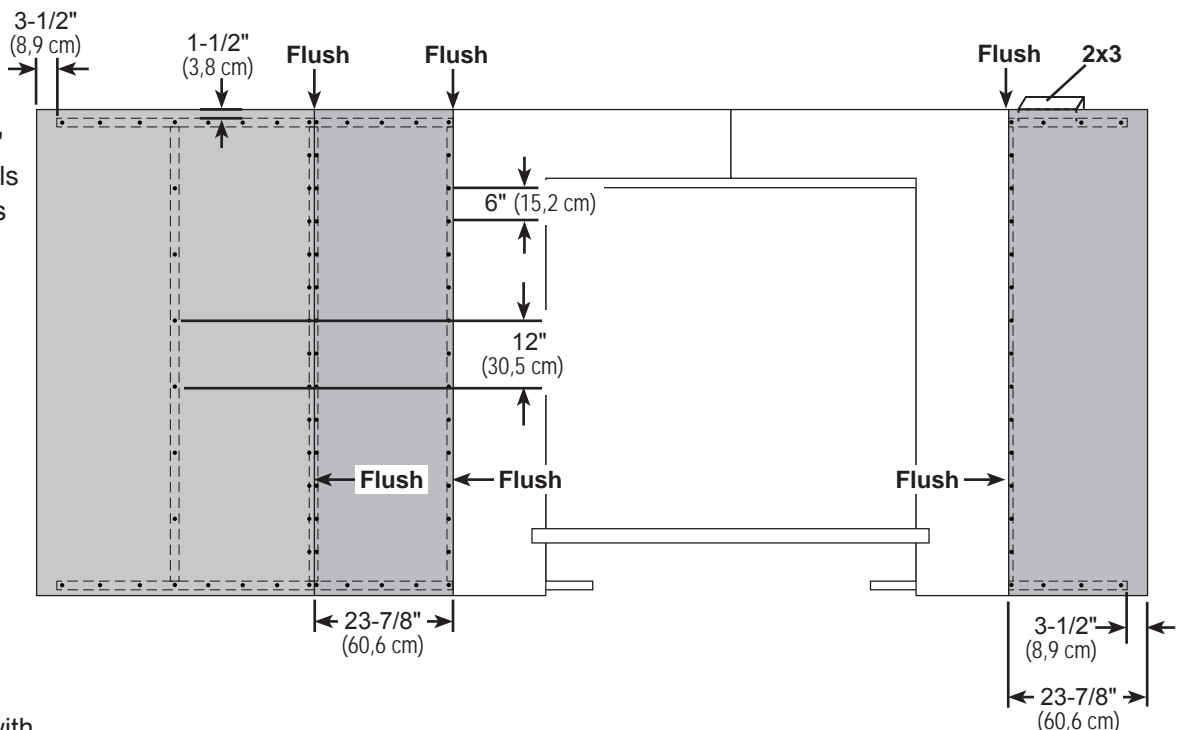
4
Install the right panel flush to installed panel, as shown.
Ensure 64" (162,8 cm) door measurement.
Use part OO as a temporary brace.
Secure with (2) 3" screws.



Secure panels with 2" nails spaced 6" apart on edges.

5
Install (2) 23-7/8" x 84" and (1) 48" x 84" panels flush to installed panels and 1-1/2" from the top plate.

Secure with 2" nails spaced 6" apart on edges and 12" apart inside panel.

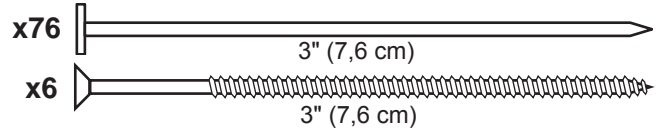


Your 16' eave wall 10 with door is now assembled.
Carefully flip the wall over.

16' EAVE WALL 11 WITH DOOR

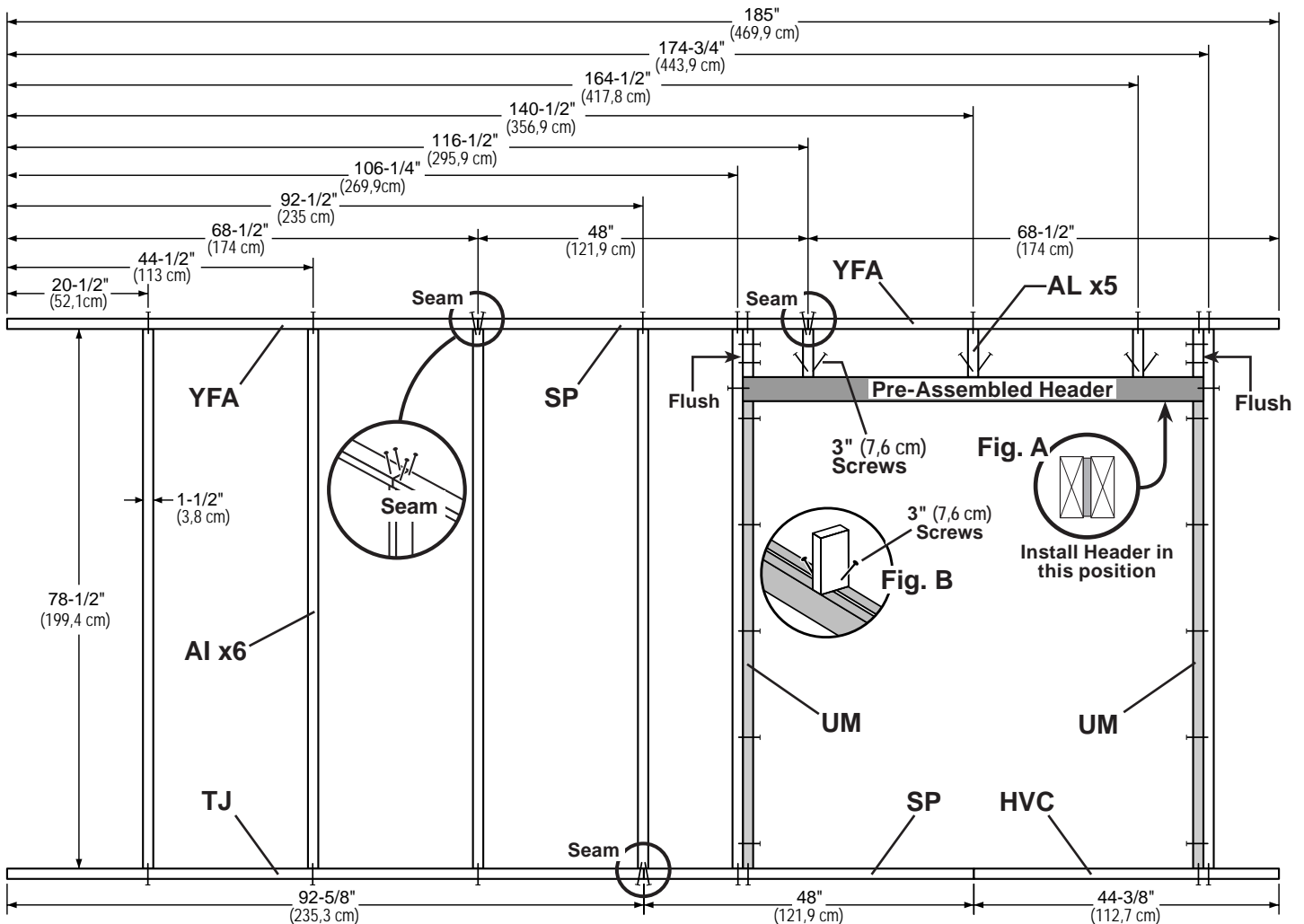
PARTS REQUIRED:

- x5 **AL**
2 x 4 x 7" (5,1 x 10,2 x 17,8 cm)
- x2 **SP**
2 x 4 x 48" (5,1 x 10,2 x 121,9 cm)
- x2 **UM**
2 x 4 x 68" (5,1 x 10,2 x 172,7 cm)
- x2 **YFA**
2 x 4 x 68-1/2" (5,1 x 10,2 x 174 cm)
- Pre Assembled Header**
- x1 **HVC**
2 x 4 x 44-3/8" (5,1 x 10,2 x 112,7 cm)
- x6 **AI**
2 x 4 x 78-1/2" (5,1 x 10,2 x 199,4 cm)
- x1 **TJ**
2 x 4 x 92-5/8" (5,1 x 10,2 x 235 cm)



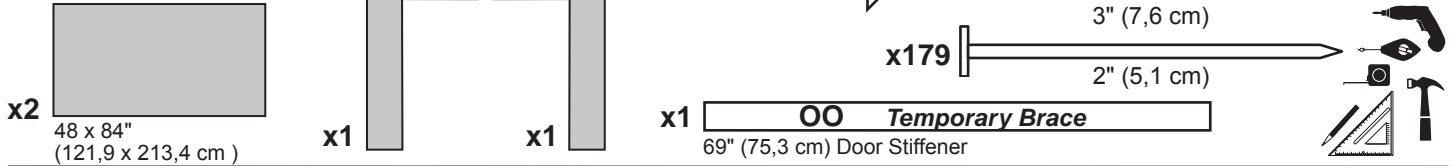
✓ BEGIN

- 1** Orient parts on edge on floor as shown. Measure and mark from end of boards.
Orient **Pre Assembled Header** as shown (**Fig. A**).
Secure with (2) 3" nails at each connection and (4) 3" nails at seams.
- 2** Fasten (3) middle parts **AL** to **Pre Assembled Header** with (2) 3" screws (**Fig. B**).
Fasten (2) end **AL** to studs **AI** with (4) 3" nails at each side.
Secure parts **AL** to top plates with (2) 3" nails at each connection and (4) 3" nails at seam.



16' EAVE WALL 11 WITH DOOR

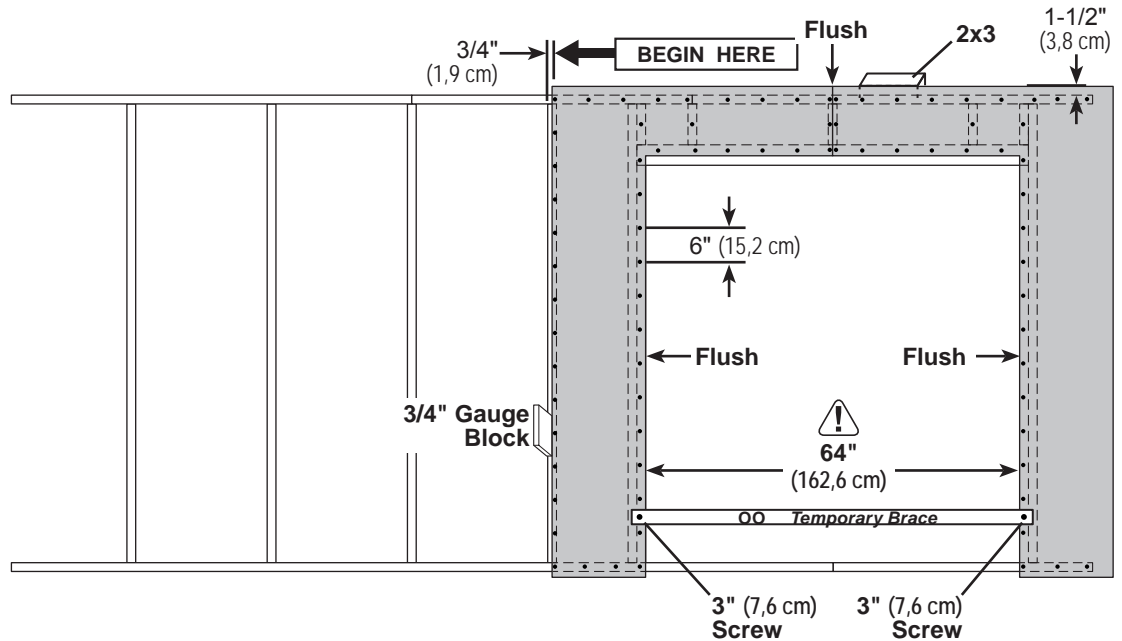
PARTS REQUIRED:



3
Install the left panel 1-1/2" from the top plate.
Use a 2x3 spacer for consistent measurement.
Secure panel with 2" nails spaced 6" apart on edges.

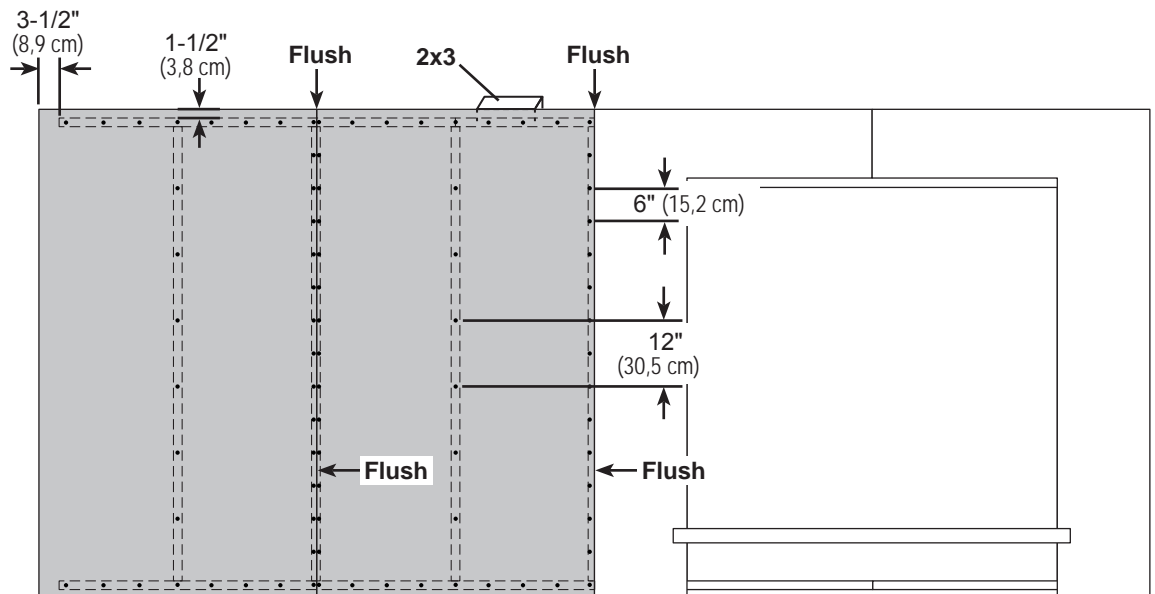
4
Install the right panel flush to installed panel, as shown.
Ensure 64" (162,8 cm) door measurement.
Use part OO as a temporary brace.
Secure with (2) 3" screws.

Secure panels with 2" nails spaced 6" apart on edges.



5
Install (2) 48" x 84" panels flush to installed panels and 1-1/2" from the top plate.

Secure with 2" nails spaced 6" apart on edges and 12" apart inside panel.



Your 16' eave wall 11 with door is now assembled.
Carefully flip the wall over.

20' EAVE WALL 12

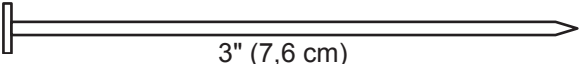
PARTS REQUIRED:

x2 **YFA**
2 x 4 x 68-1/2" (5,1 x 10,2 x 174 cm)

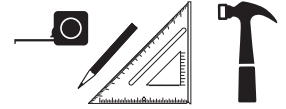
x9 **AI**
2 x 4 x 78-1/2" (5,1 x 10,2 x 199,4 cm)

x1 **TJ**
2 x 4 x 92-5/8" (5,1 x 10,2 x 235 cm)

x2 **TP**
2 x 4 x 96" (5,1 x 10,2 x 243,8 cm)

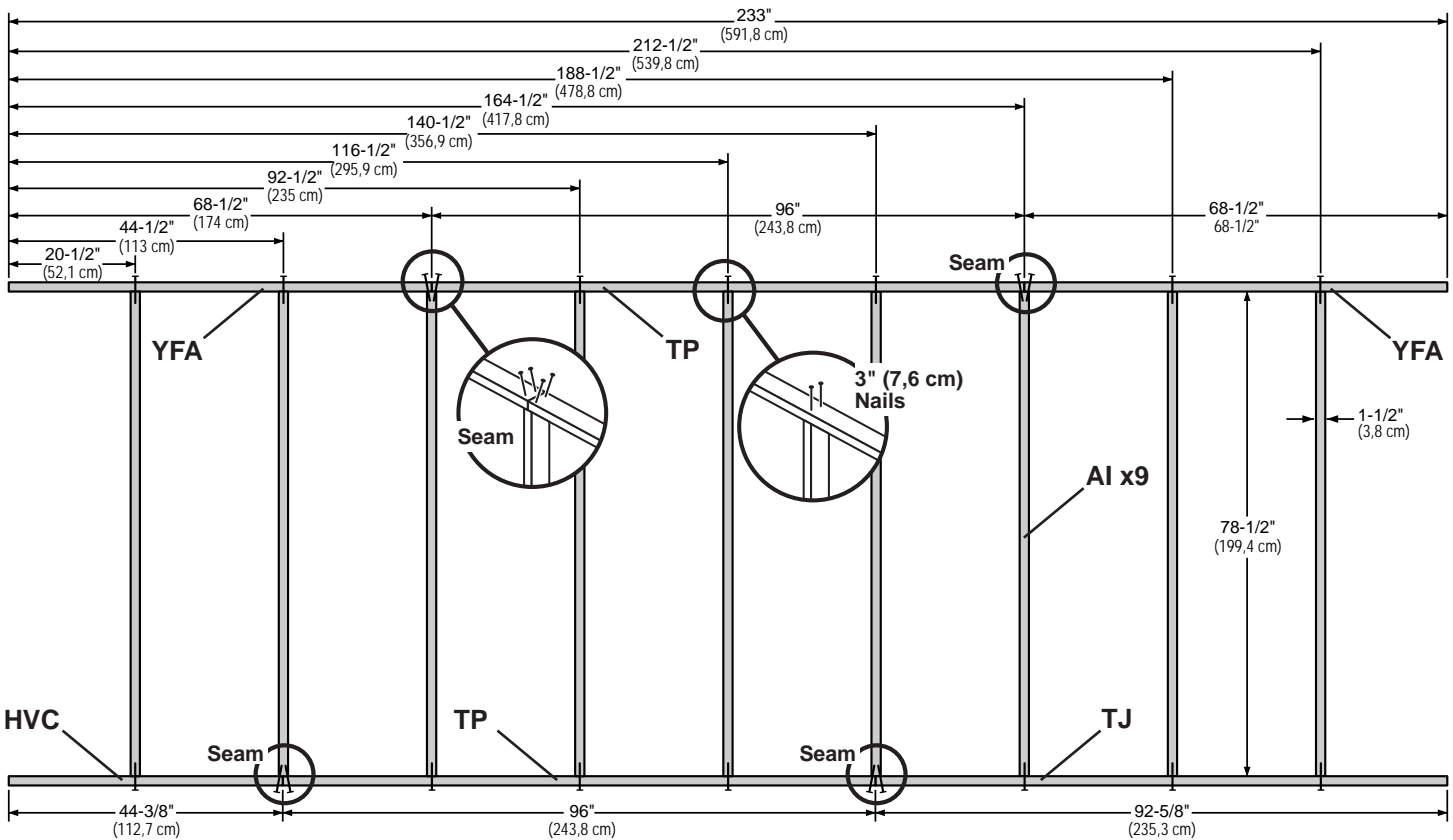
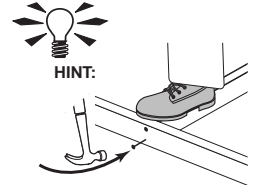
x44  3" (7,6 cm)

x1 **HVC**
2 x 4 x 44-3/8" (5,1 x 10,2 x 112,7 cm)



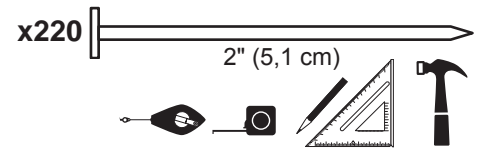
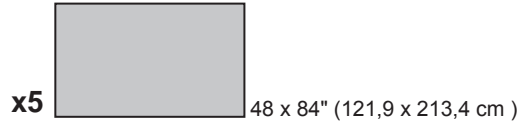
✓ BEGIN

- 1 Orient parts on edge on floor. Measure and mark from end of boards.
Secure with (2) 3" nails at each connection and (4) 3" nails at seams.



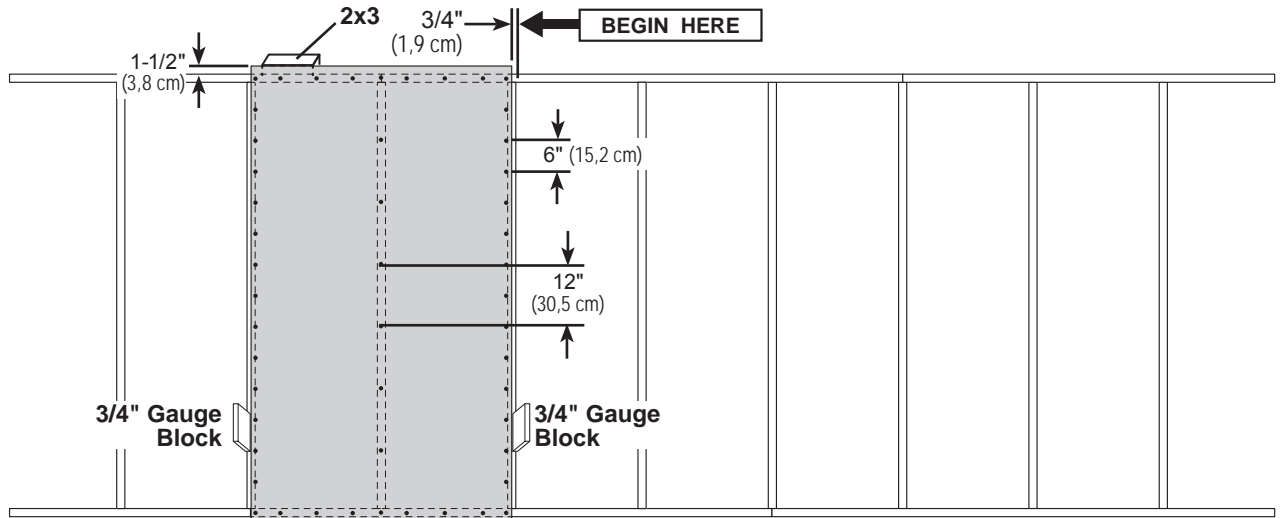
20' EAVE WALL 12

PARTS REQUIRED:



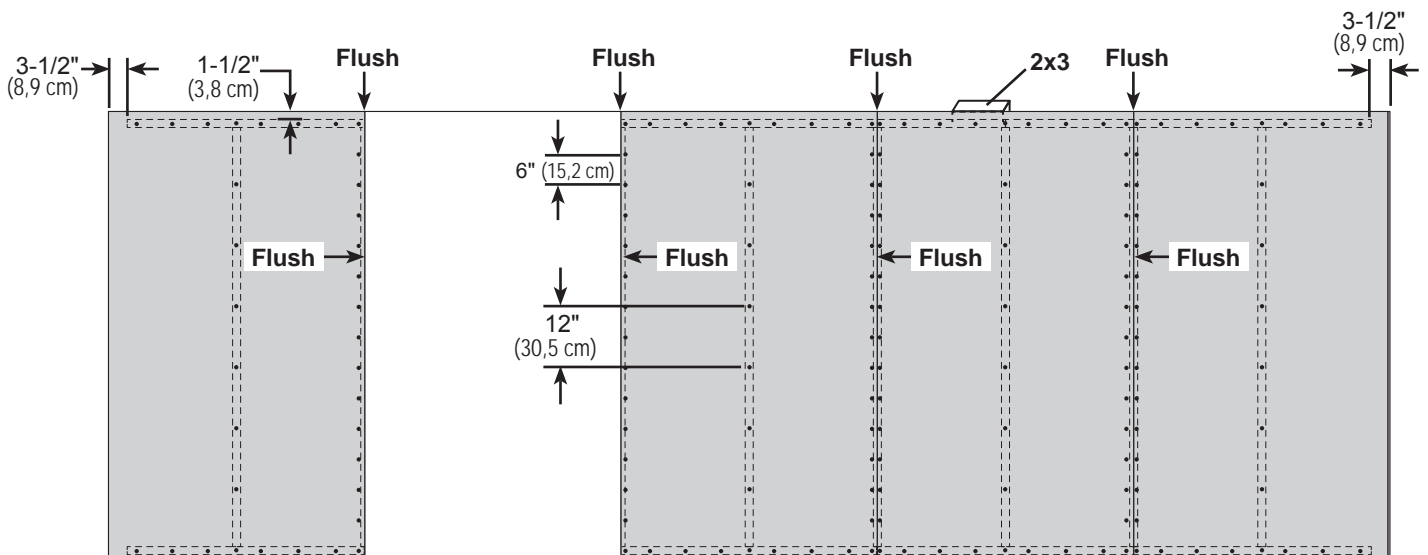
- 2** Install (1) 48" x 84" panel 1-1/2" from the top plate. Use a 2x3 spacer for consistent measurement.

Secure panel with 2" nails spaced 6" apart on edges and 12" inside panel.



- 3** Install (4) 48" x 84" panels flush to installed panels. Locate panels 1-1/2" from the top plate.

Secure with 2" nails spaced 6" apart on edges and 12" apart inside panel.



Your 20' eave wall 12 is now assembled.
Carefully flip the wall over.

20' EAVE WALL 13 WITH DOOR

PARTS REQUIRED:

x5 **AL**

2 x 4 x 7" (5,1 x 10,2 x 17,8 cm)

x2 **TP**

2 x 4 x 96" (5,1 x 10,2 x 243,8 cm)

x2 **UM**

2 x 4 x 68" (5,1 x 10,2 x 172,7 cm)

x2 **YFA**

2 x 4 x 68-1/2" (5,1 x 10,2 x 174 cm)

Pre Assembled Header

x1

x1 **HVC**

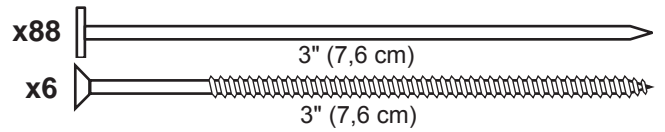
2 x 4 x 44-3/8" (5,1 x 10,2 x 112,7 cm)

x8 **AI**

2 x 4 x 78-1/2" (5,1 x 10,2 x 199,4 cm)

x1 **TJ**

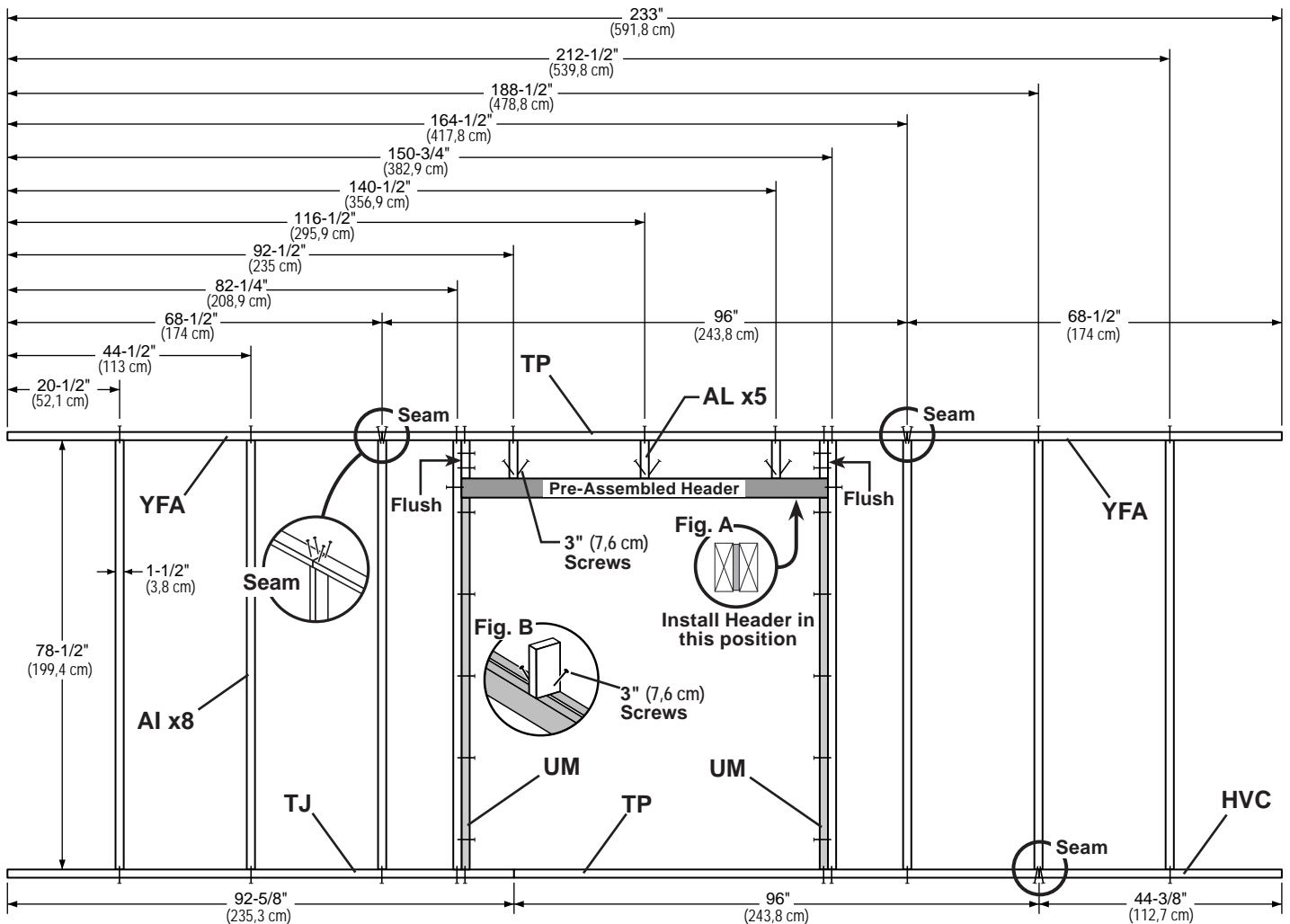
2 x 4 x 92-5/8" (5,1 x 10,2 x 235 cm)



✓ BEGIN

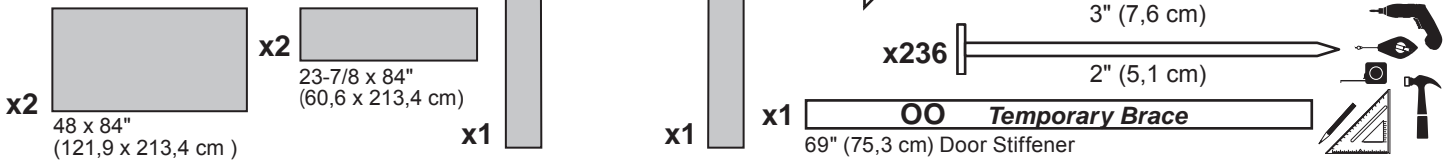
- 1 Orient parts on edge on floor as shown. Measure and mark from end of boards.
Orient **Pre Assembled Header** as shown (**Fig. A**).
Secure with (2) 3" nails at each connection and (4) 3" nails at seams.

- 2 Fasten (3) middle parts **AL** to **Pre Assembled Header** with (2) 3" screws (**Fig. B**).
Fasten (2) end **AL** to studs **AI** with (4) 3" nails at each side.
Secure parts **AL** to top plates with (2) 3" nails at each connection and (4) 3" nails at seam.

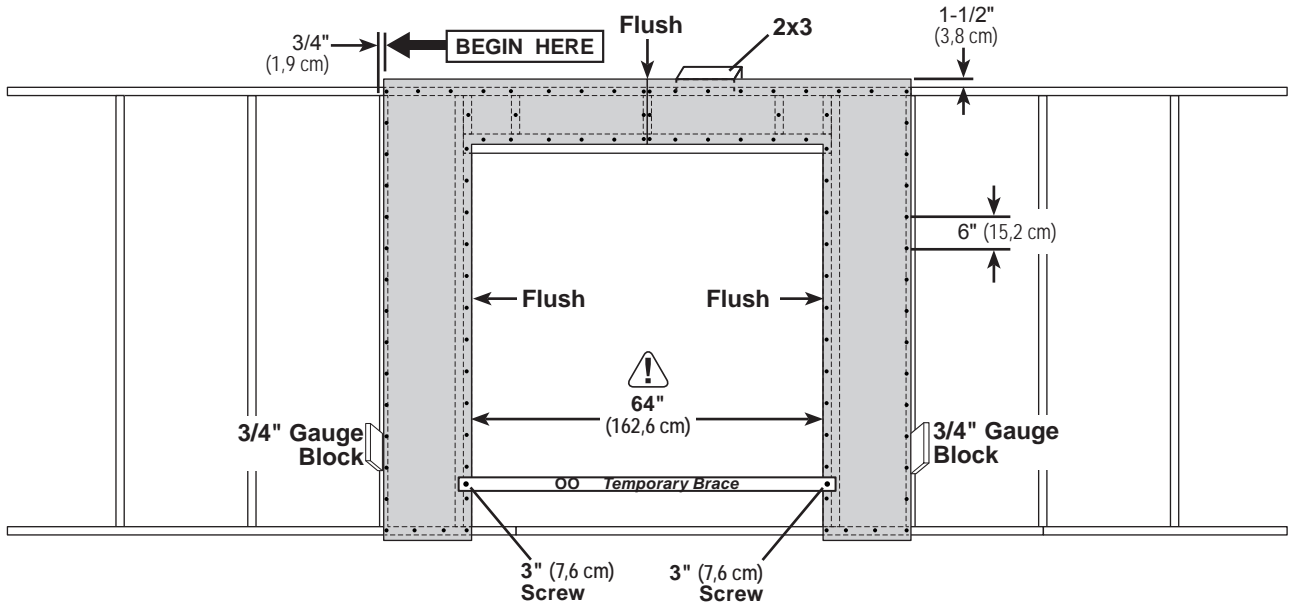


20' EAVE WALL 13 WITH DOOR

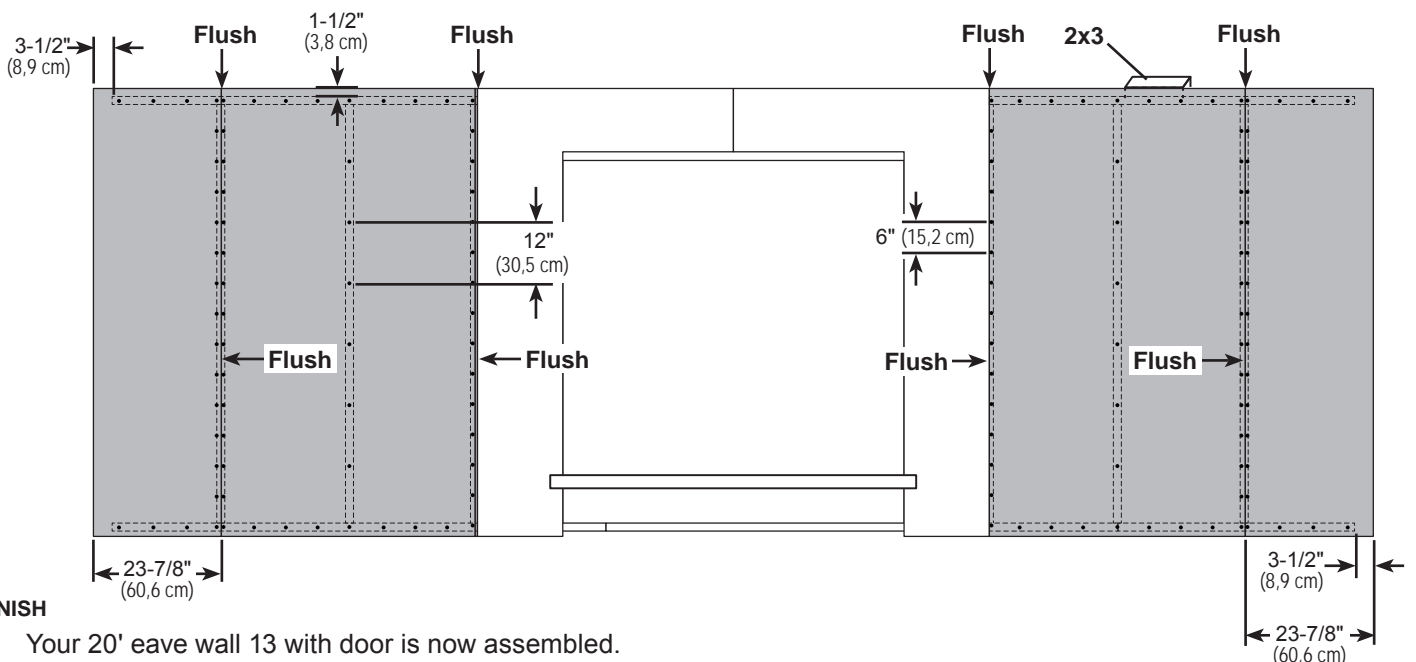
PARTS REQUIRED:



- 3 Install the left panel 1-1/2" from the top plate. Use a 2x3 spacer for consistent measurement. Secure panel with 2" nails spaced 6" apart on edges.
- 4 Install the right panel flush to installed panel, as shown. Ensure 64" (162,8 cm) door measurement. Use part OO as a temporary brace. Secure with (2) 3" screws. Secure panels with 2" nails spaced 6" apart on edges.



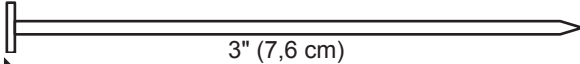
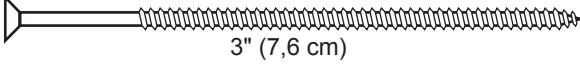
- 5 Install (2) 48" x 84" panel flush to installed panels and 1-1/2" from the top plate. Secure with 2" nails spaced 6" apart on edges and 12" apart inside panel.



Your 20' eave wall 13 with door is now assembled. Carefully flip the wall over.

20' EAVE WALL 14 WITH DOOR

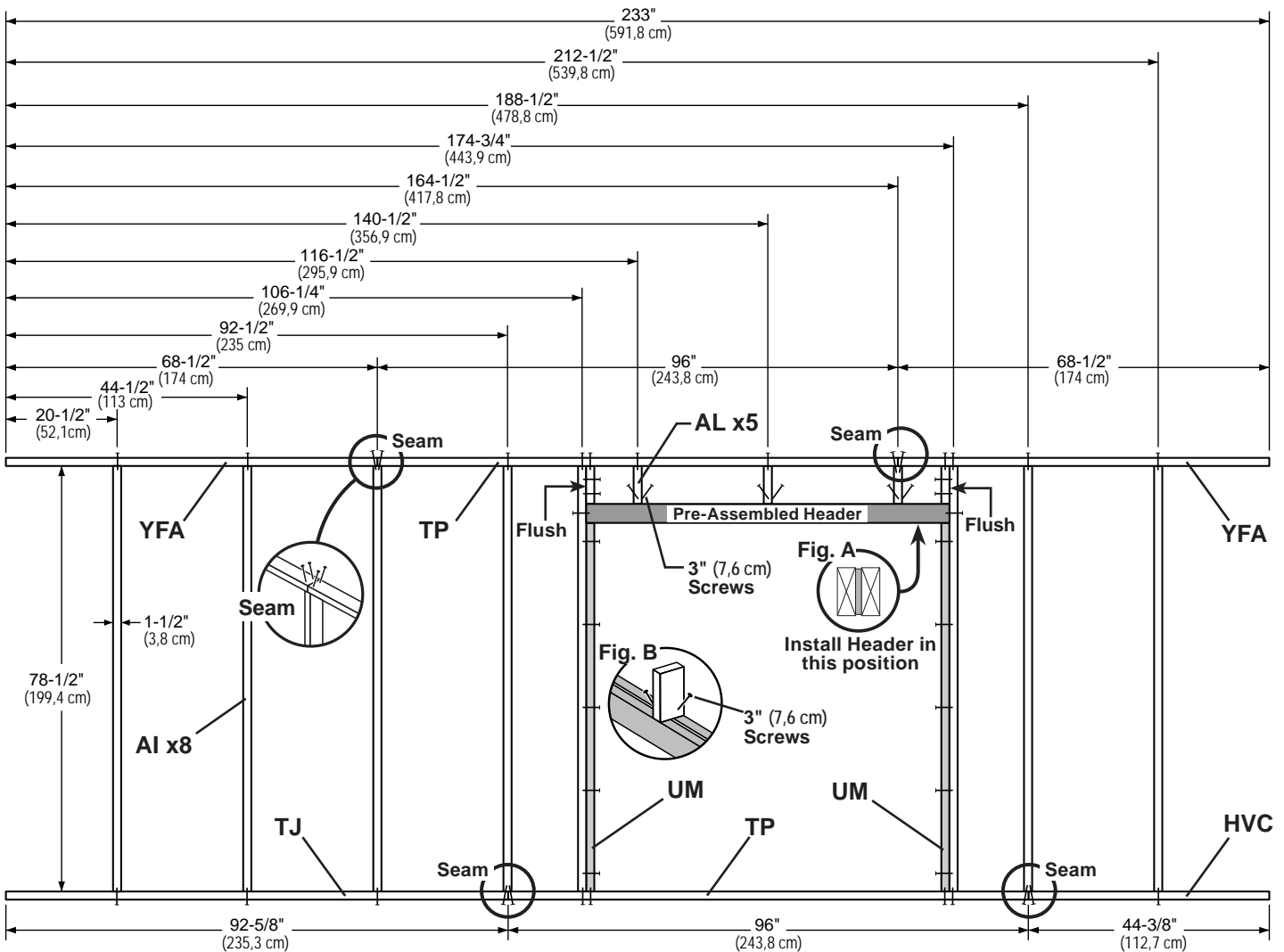
PARTS REQUIRED:

x5	AL	2 x 4 x 7" (5,1 x 10,2 x 17,8 cm)	x86		3" (7,6 cm)
x2	TP	2 x 4 x 96" (5,1 x 10,2 x 243,8 cm)	x6		3" (7,6 cm)
x2	UM	2 x 4 x 68" (5,1 x 10,2 x 172,7 cm)	x1	HVC	2 x 4 x 44-3/8" (5,1 x 10,2 x 112,7 cm)
x2	YFA	2 x 4 x 68-1/2" (5,1 x 10,2 x 174 cm)	x8	AI	2 x 4 x 78-1/2" (5,1 x 10,2 x 199,4 cm)
	Pre Assembled Header		x1	TJ	2 x 4 x 92-5/8" (5,1 x 10,2 x 235 cm)



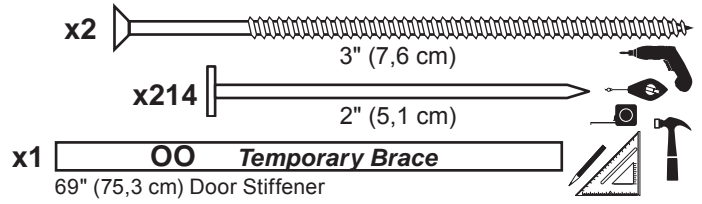
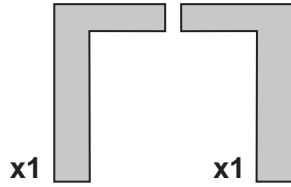
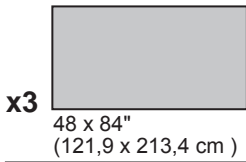
✓ BEGIN

- 1** Orient parts on edge on floor as shown. Measure and mark from end of boards.
 Orient **Pre Assembled Header** as shown (**Fig. A**).
 Secure with (2) 3" nails at each connection and (4) 3" nails at seams.
- 2** Fasten (3) middle parts **AL** to **Pre Assembled Header** with (2) 3" screws (**Fig. B**).
 Fasten (2) end **AL** to studs **AI** with (4) 3" nails at each side.
 Secure parts **AL** to top plates with (2) 3" nails at each connection and (4) 3" nails at seam.

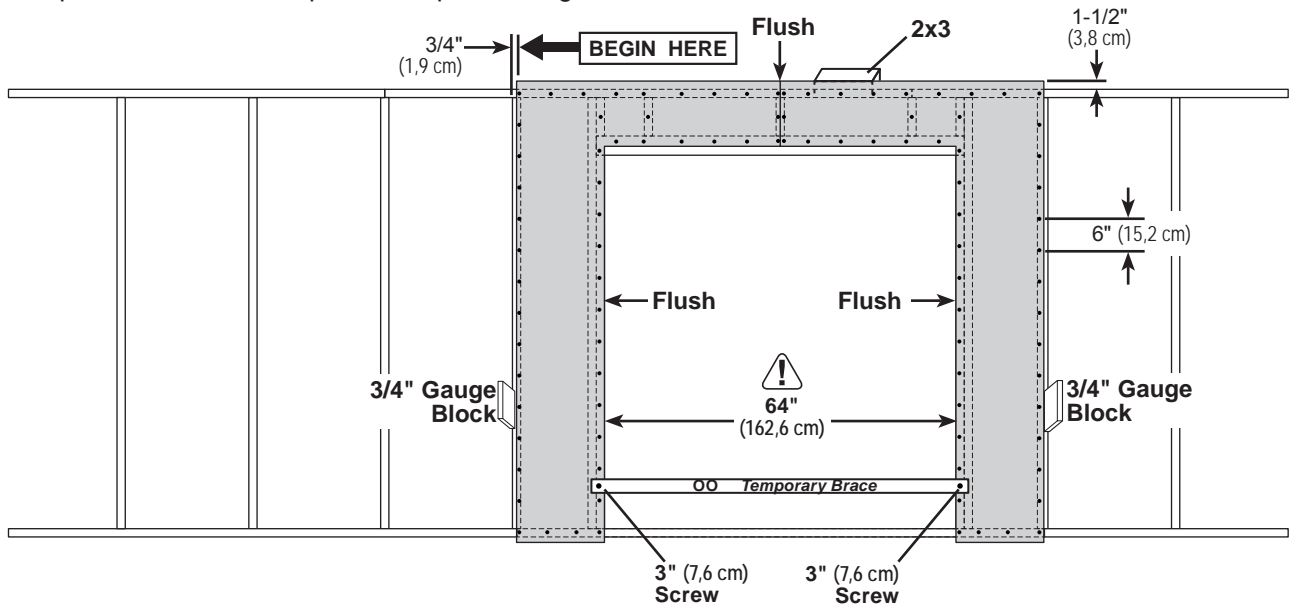


20' EAVE WALL 14 WITH DOOR

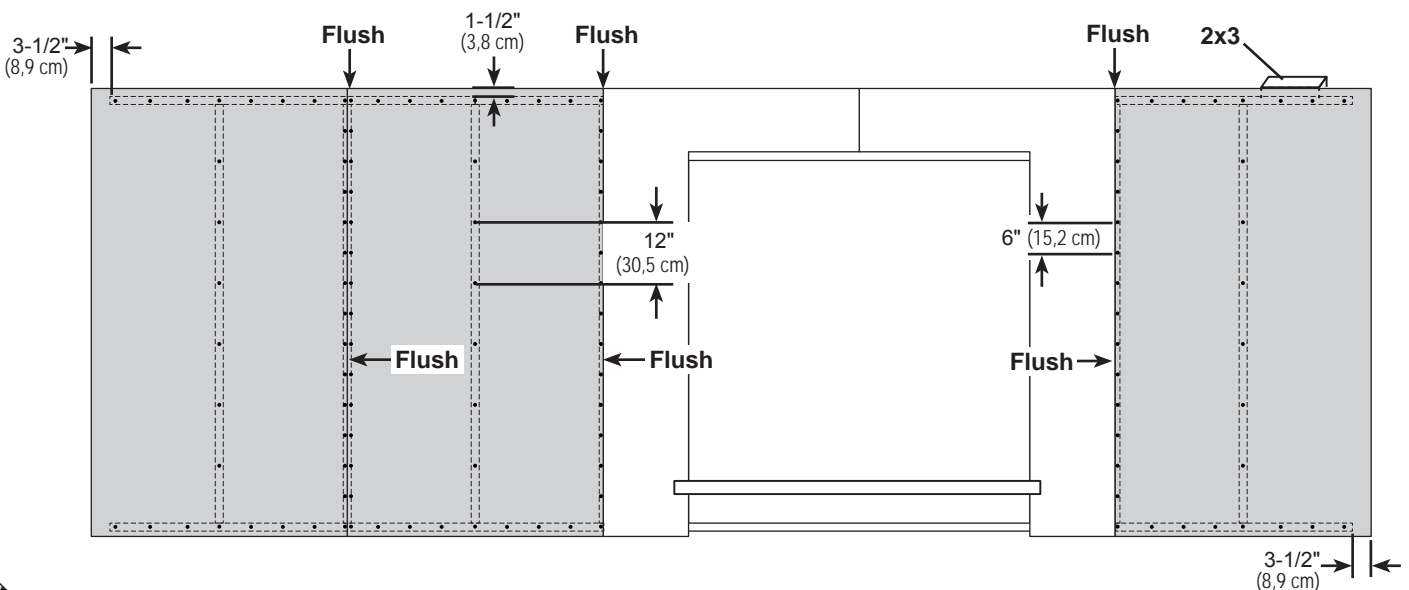
PARTS REQUIRED:



- 3** Install the left panel 1-1/2" from the top plate. Use a 2x3 spacer for consistent measurement. Secure panel with 2" nails spaced 6" apart on edges.
- 4** Install the right panel flush to installed panel, as shown. Ensure 64" (162,8 cm) door measurement. Use part **OO** as a temporary brace. Secure with (2) 3" screws. Secure panels with 2" nails spaced 6" apart on edges.



- 5** Install (3) 48" x 84" panel flush to installed panels and 1-1/2" from the top plate. Secure with 2" nails spaced 6" apart on edges and 12" apart inside panel.

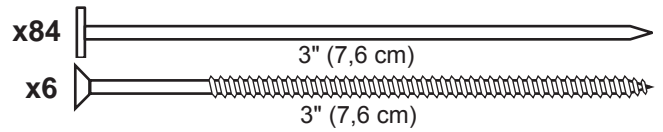


Your 20' eave wall 14 with door is now assembled. Carefully flip the wall over.

20' EAVE WALL 15 WITH DOOR

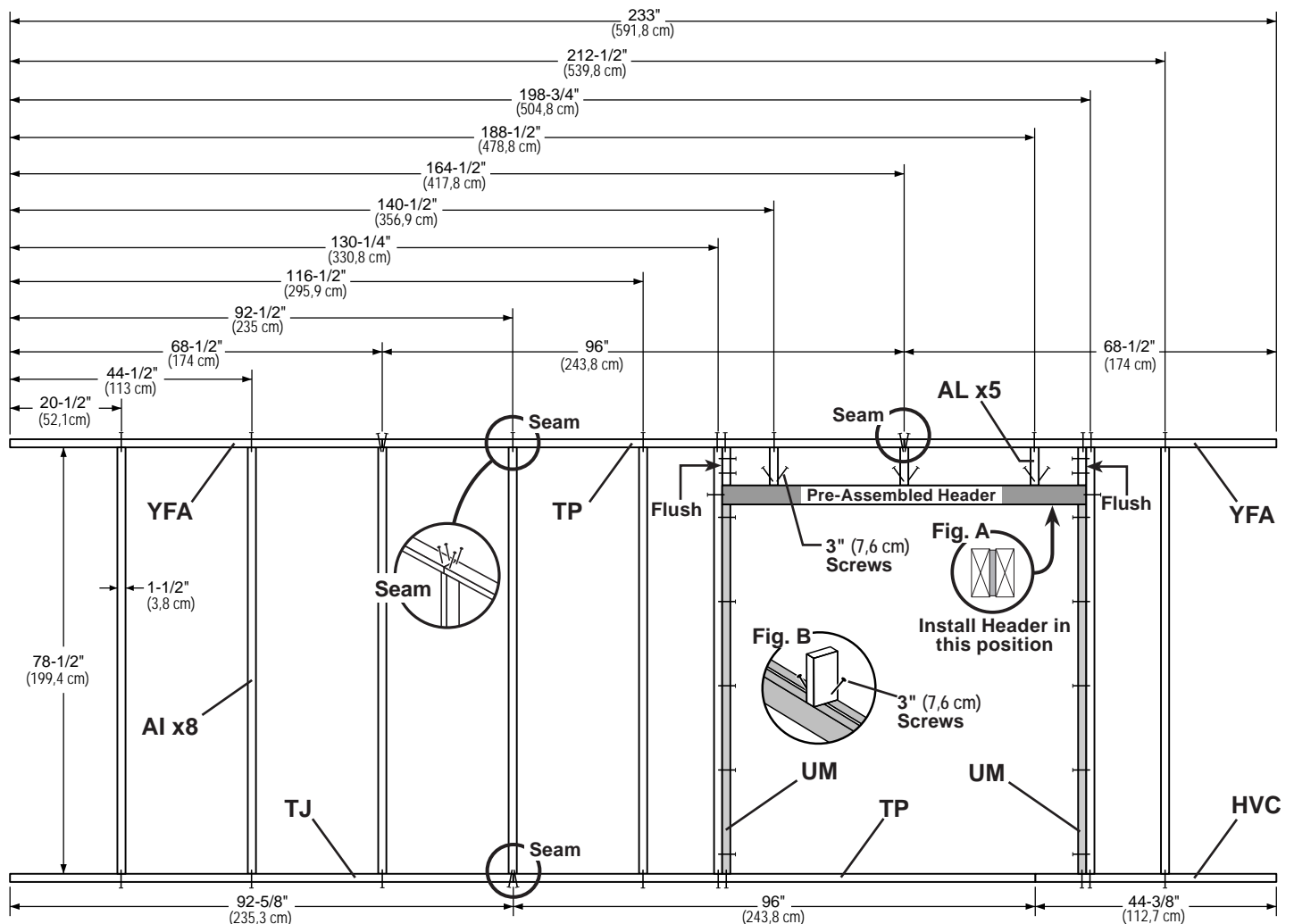
PARTS REQUIRED:

- x5 **AL**
2 x 4 x 7" (5,1 x 10,2 x 17,8 cm)
- x2 **TP**
2 x 4 x 96" (5,1 x 10,2 x 243,8 cm)
- x2 **UM**
2 x 4 x 68" (5,1 x 10,2 x 172,7 cm)
- x2 **YFA**
2 x 4 x 68-1/2" (5,1 x 10,2 x 174 cm)
- Pre Assembled Header**
- x1 **HVC**
2 x 4 x 44-3/8" (5,1 x 10,2 x 112,7 cm)
- x8 **AI**
2 x 4 x 78-1/2" (5,1 x 10,2 x 199,4 cm)
- x1 **TJ**
2 x 4 x 92-5/8" (5,1 x 10,2 x 235 cm)



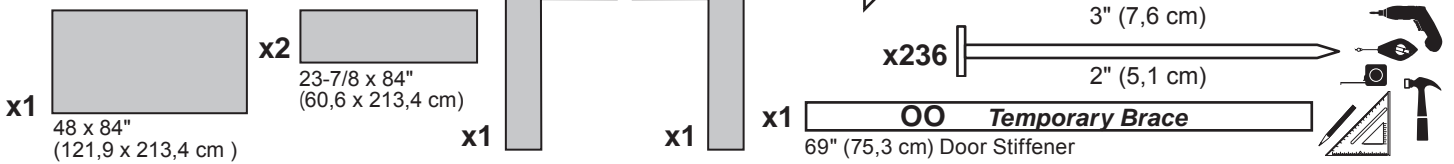
BEGIN

- 1** Orient parts on edge on floor as shown. Measure and mark from end of boards.
Orient **Pre Assembled Header** as shown (**Fig. A**).
Secure with (2) 3" nails at each connection and (4) 3" nails at seams.
- 2** Fasten (3) middle parts **AL** to **Pre Assembled Header** with (2) 3" screws (**Fig. B**).
Fasten (2) end **AL** to studs **AI** with (4) 3" nails at each side.
Secure parts **AL** to top plates with (2) 3" nails at each connection and (4) 3" nails at seam.

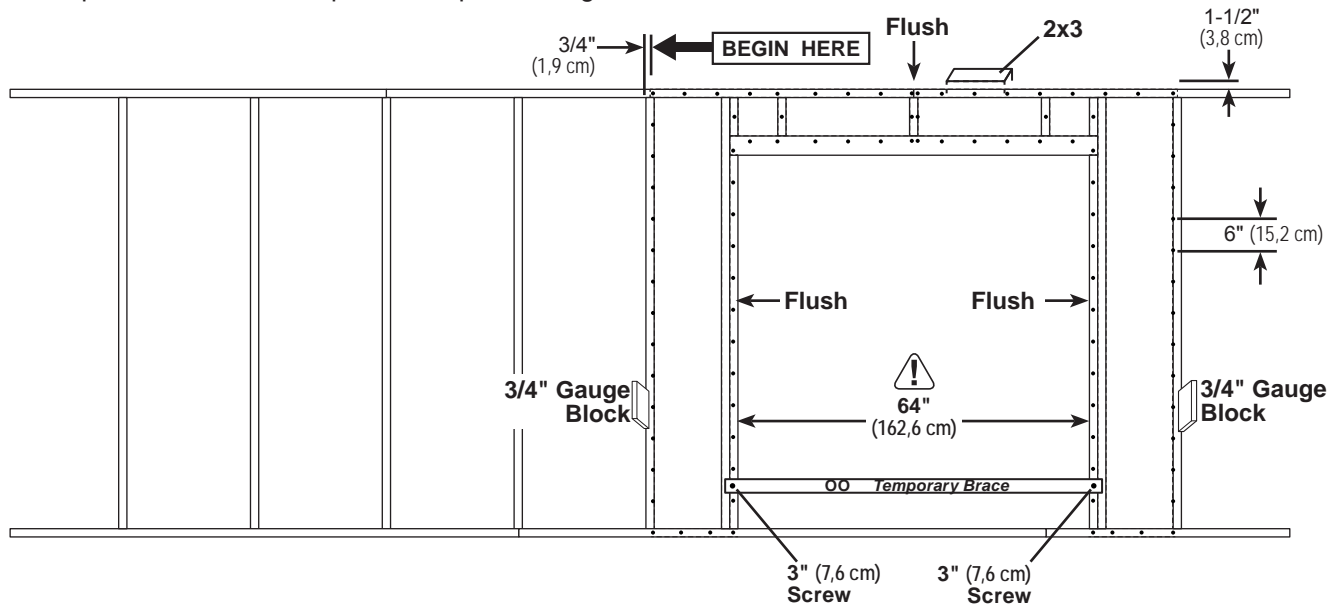


20' EAVE WALL 15 WITH DOOR

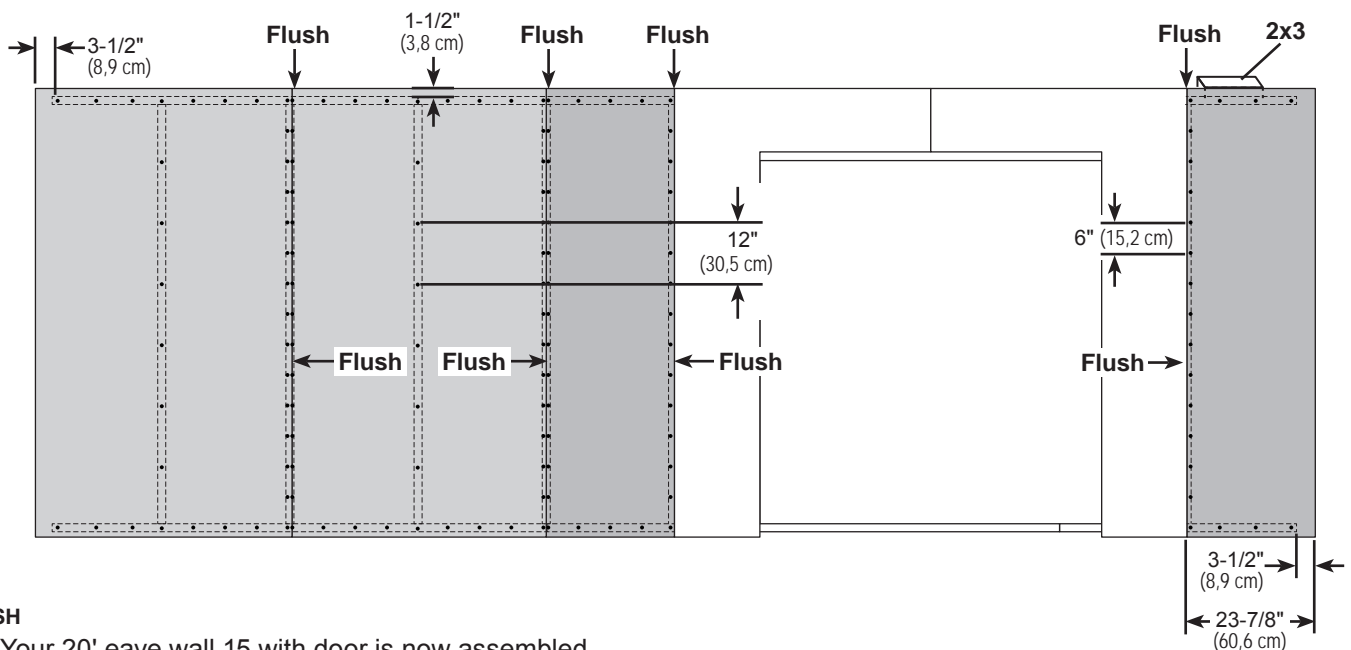
PARTS REQUIRED:



- 3 Install the left panel 1-1/2" from the top plate. Use a 2x3 spacer for consistent measurement. Secure panel with 2" nails spaced 6" apart on edges.
- 4 Install the right panel flush to installed panel, as shown. Ensure 64" (162,8 cm) door measurement. Use part OO as a temporary brace. Secure with (2) 3" screws. Secure panels with 2" nails spaced 6" apart on edges.



- 5 Install (3) 48" x 84" panel flush to installed panels and 1-1/2" from the top plate. Secure with 2" nails spaced 6" apart on edges and 12" apart inside panel.



FINISH

Your 20' eave wall 15 with door is now assembled. Carefully flip the wall over.

24' EAVE WALL 16

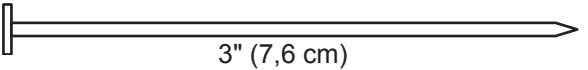
PARTS REQUIRED:

x2 **YFA**
2 x 4 x 68-1/2" (5,1 x 10,2 x 174 cm)

x11 **AI**
2 x 4 x 78-1/2" (5,1 x 10,2 x 199,4 cm)

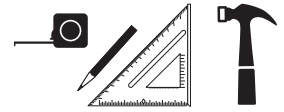
x1 **TJ**
2 x 4 x 92-5/8" (5,1 x 10,2 x 235 cm)

x2 **TP**
2 x 4 x 96" (5,1 x 10,2 x 243,8 cm)

x56  3" (7,6 cm)

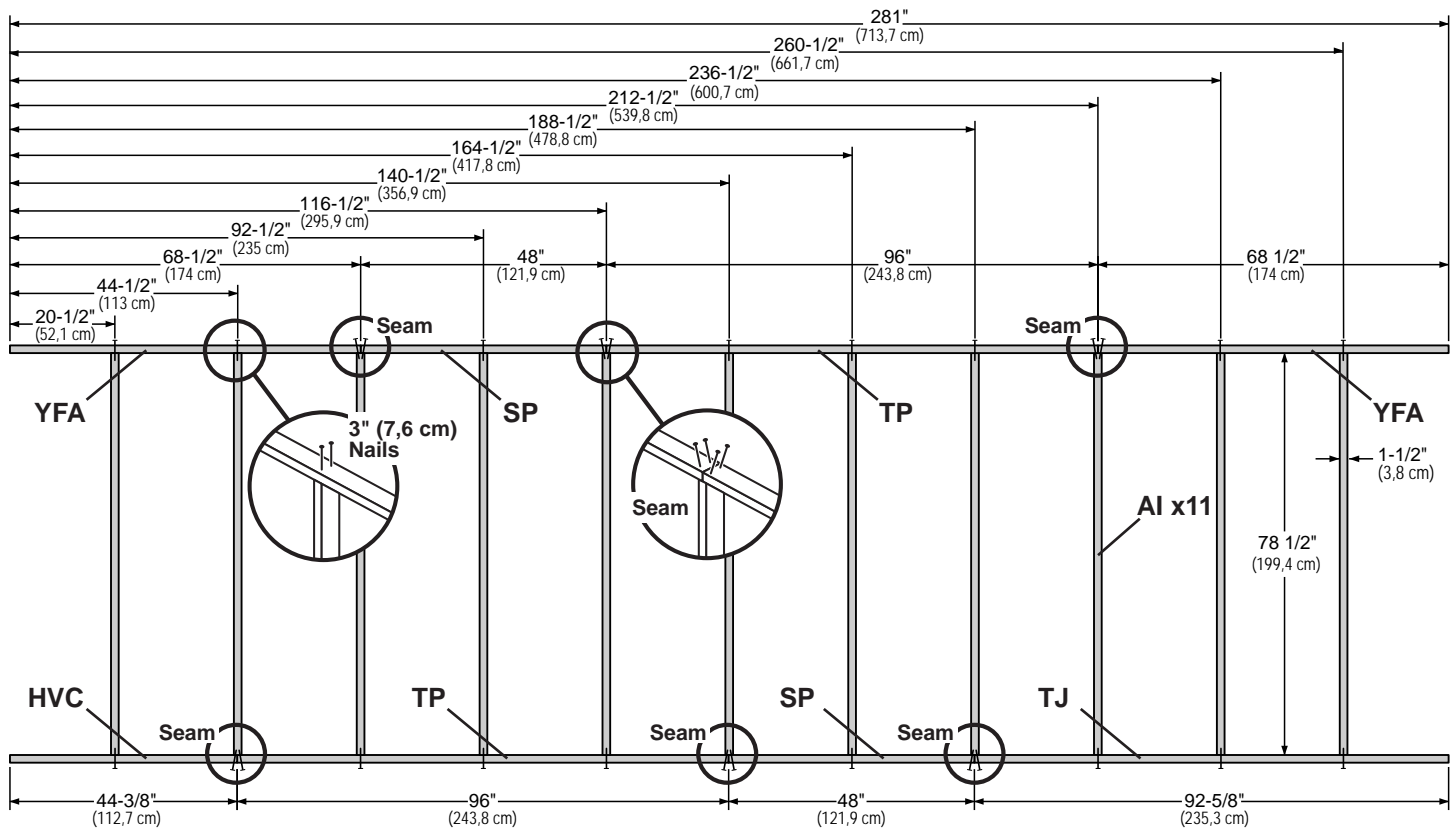
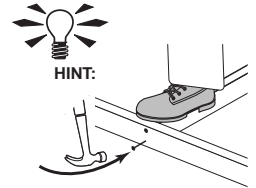
x1 **HVC**
2 x 4 x 44-3/8" (5,1 x 10,2 x 112,7 cm)

x2 **SP**
2 x 4 x 48" (5,1 x 10,2 x 121,9 cm)



✓ BEGIN

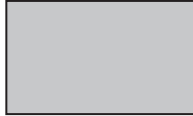
- 1 Orient parts on edge on floor. Measure and mark from end of boards.
Secure with (2) 3" nails at each connection and (4) 3" nails at seams.



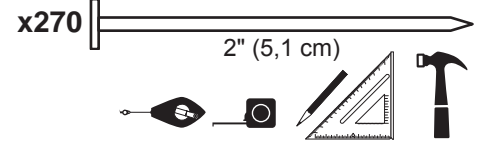
24' EAVE WALL 16

PARTS REQUIRED:

x6

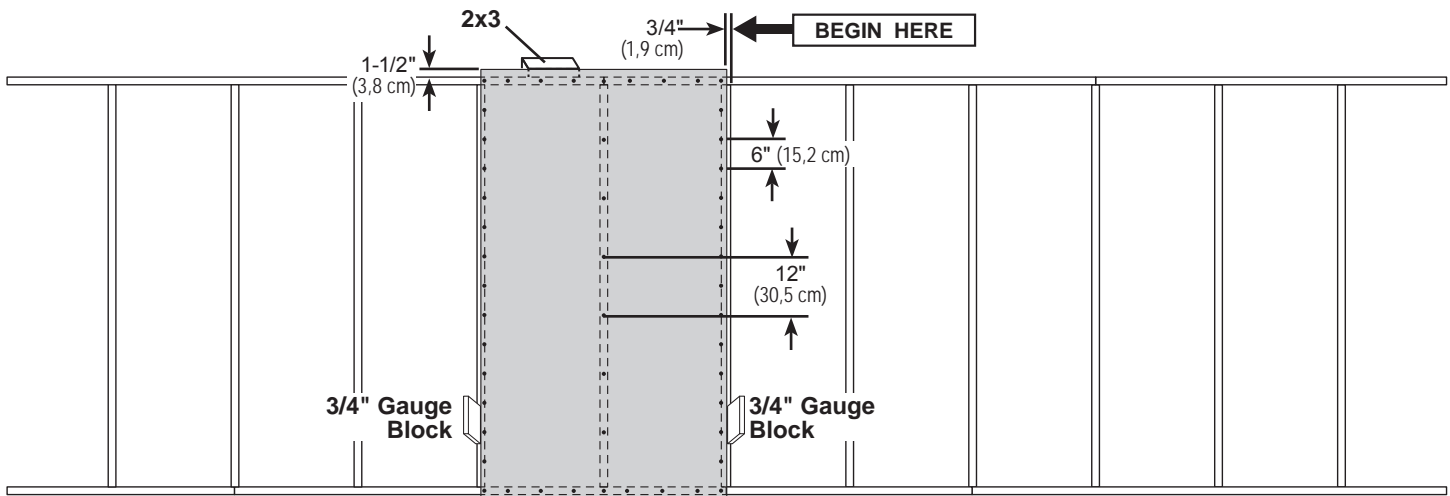


48 x 84" (121,9 x 213,4 cm)



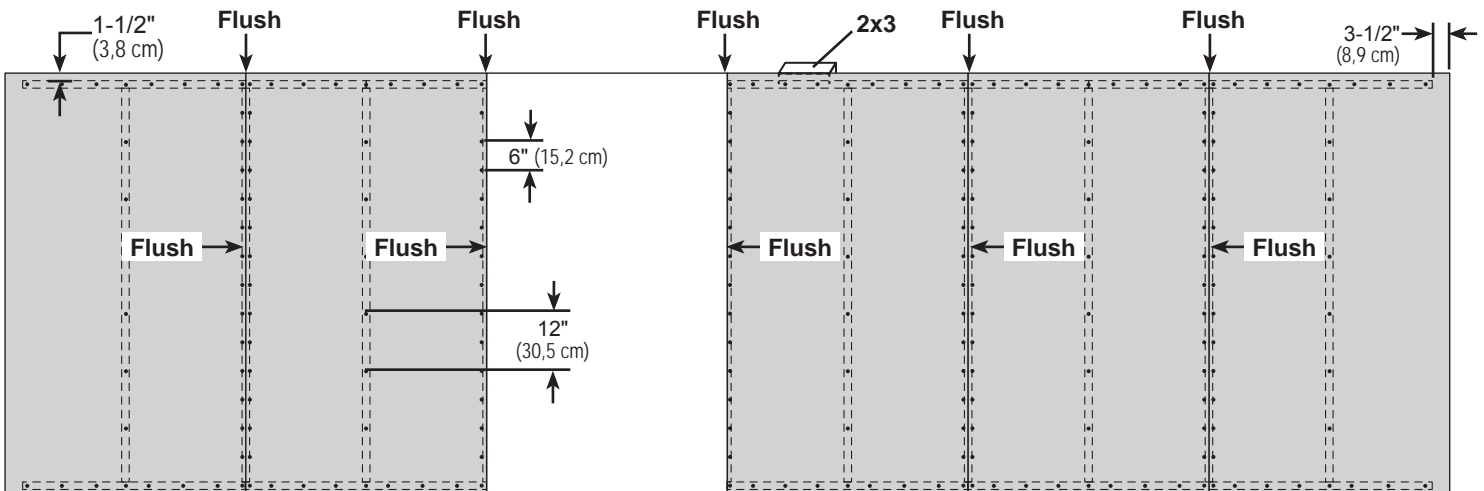
- 2** Install (1) 48" x 84" panel 1-1/2" from the top plate. Use a 2x3 spacer for consistent measurement.

Secure panel with 2" nails spaced 6" apart on edges and 12" inside panel.



- 3** Install (5) 48" x 84" panels flush to installed panels. Locate panels 1-1/2" from the top plate.

Secure with 2" nails spaced 6" apart on edges and 12" apart inside panel.

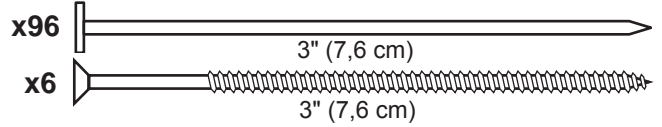


Your 24' eave wall 16 is now assembled.
Carefully flip the wall over.

24' EAVE WALL 17 WITH DOOR

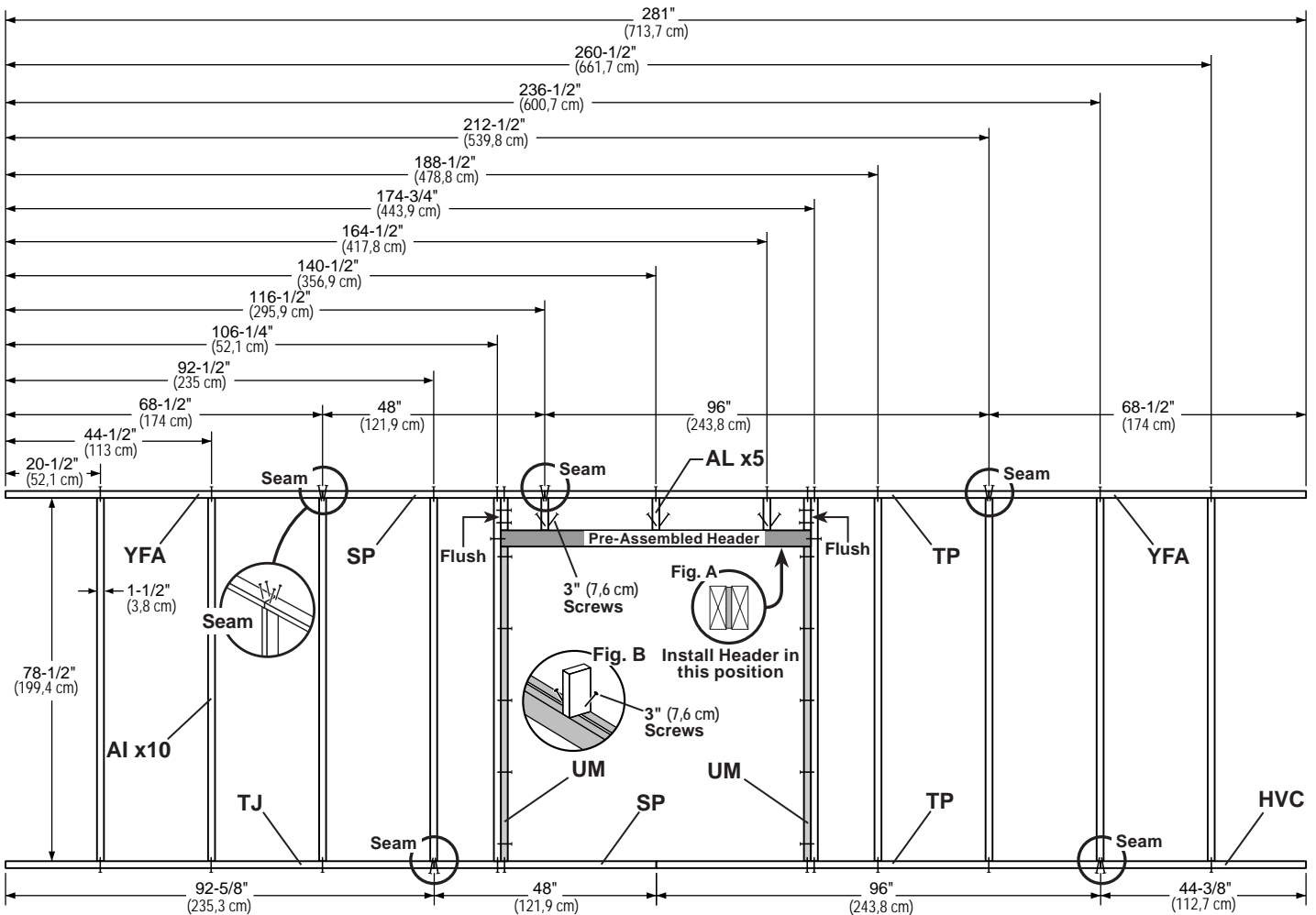
PARTS REQUIRED:

x5	AL	x1	HVC
	2 x 4 x 7" (5,1 x 10,2 x 17,8 cm)		2 x 4 x 44-3/8" (5,1 x 10,2 x 112,7 cm)
x2	TP		
	2 x 4 x 96" (5,1 x 10,2 x 243,8 cm)		
x2	UM	x2	SP
	2 x 4 x 68" (5,1 x 10,2 x 172,7 cm)		2 x 4 x 48" (5,1 x 10,2 x 121,9 cm)
x2	YFA	x10	AI
	2 x 4 x 68-1/2" (5,1 x 10,2 x 174 cm)		2 x 4 x 78-1/2" (5,1 x 10,2 x 199,4 cm)
x1	Pre Assembled Header	x1	TJ
			2 x 4 x 92-5/8" (5,1 x 10,2 x 235 cm)



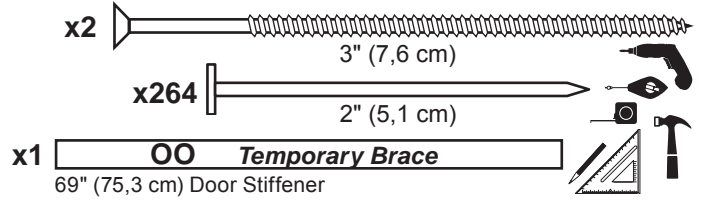
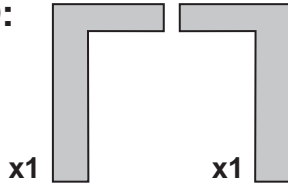
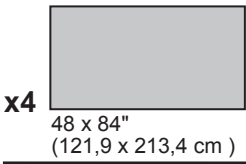
BEGIN

- 1 Orient parts on edge on floor as shown. Measure and mark from end of boards.
 Orient **Pre Assembled Header** as shown (**Fig. A**).
 Secure with (2) 3" nails at each connection and (4) 3" nails at seams.
- 2 Fasten (3) middle parts **AL** to **Pre Assembled Header** with (2) 3" screws (**Fig. B**).
 Fasten (2) end **AL** to studs **AI** with (4) 3" nails at each side.
 Secure parts **AL** to top plates with (2) 3" nails at each connection and (4) 3" nails at seam.

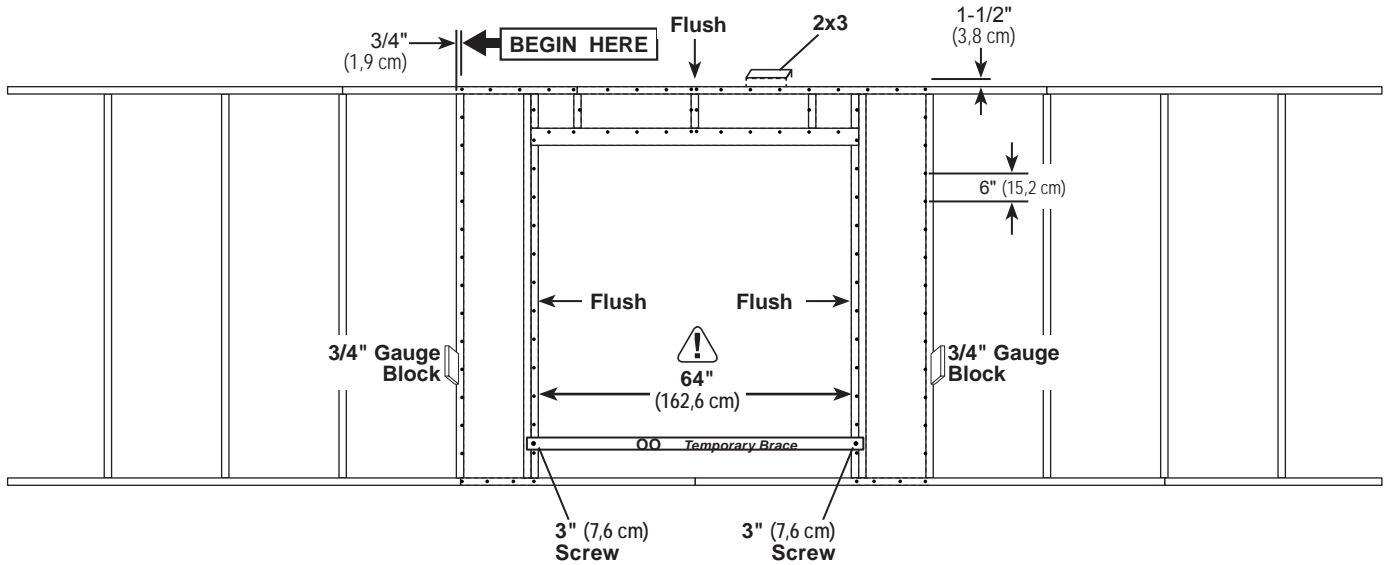


24' EAVE WALL 17 WITH DOOR

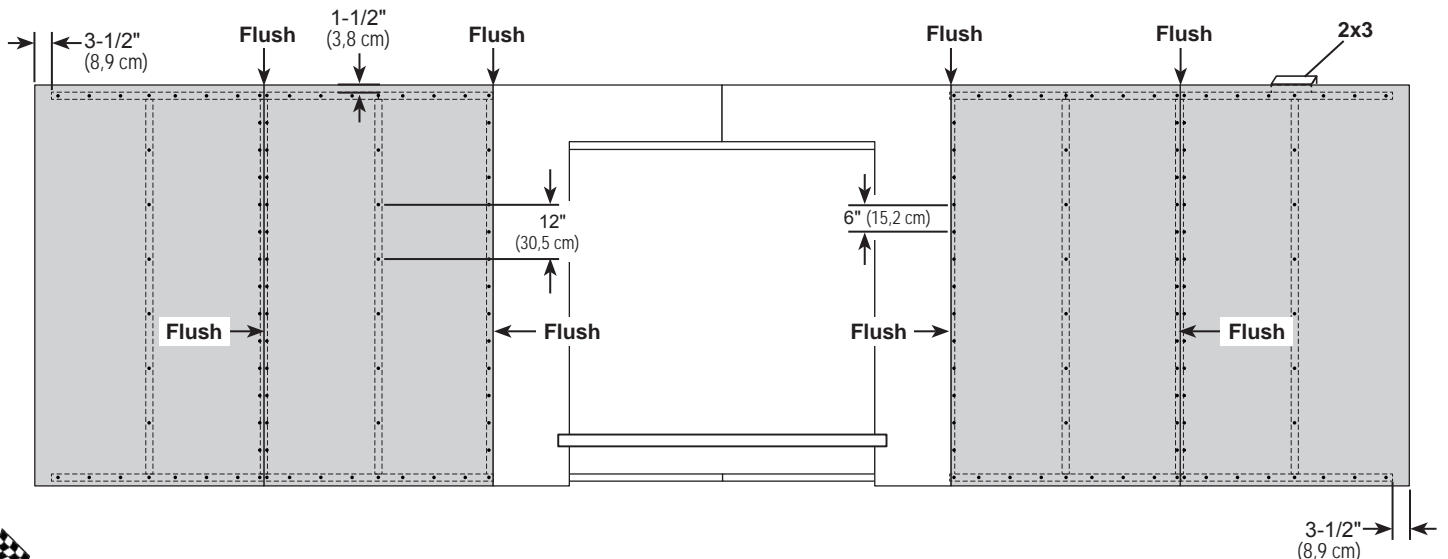
PARTS REQUIRED:



- 3** Install the left panel 1-1/2" from the top plate. Use a 2x3 spacer for consistent measurement. Secure panel with 2" nails spaced 6" apart on edges.
- 4** Install the right panel flush to installed panel, as shown. Ensure 64" (162,8 cm) door measurement. Use part **OO** as a temporary brace. Secure with (2) 3" screws. Secure panels with 2" nails spaced 6" apart on edges.



- 5** Install (2) 48" x 84" panel flush to installed panels and 1-1/2" from the top plate. Secure with 2" nails spaced 6" apart on edges and 12" apart inside panel.

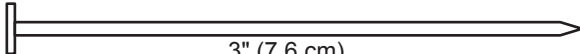
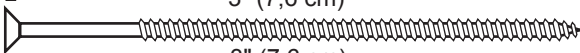


Your 24' eave wall 17 with door is now assembled. Carefully flip the wall over.

24' EAVE WALL 18 WITH DOOR

PARTS REQUIRED:

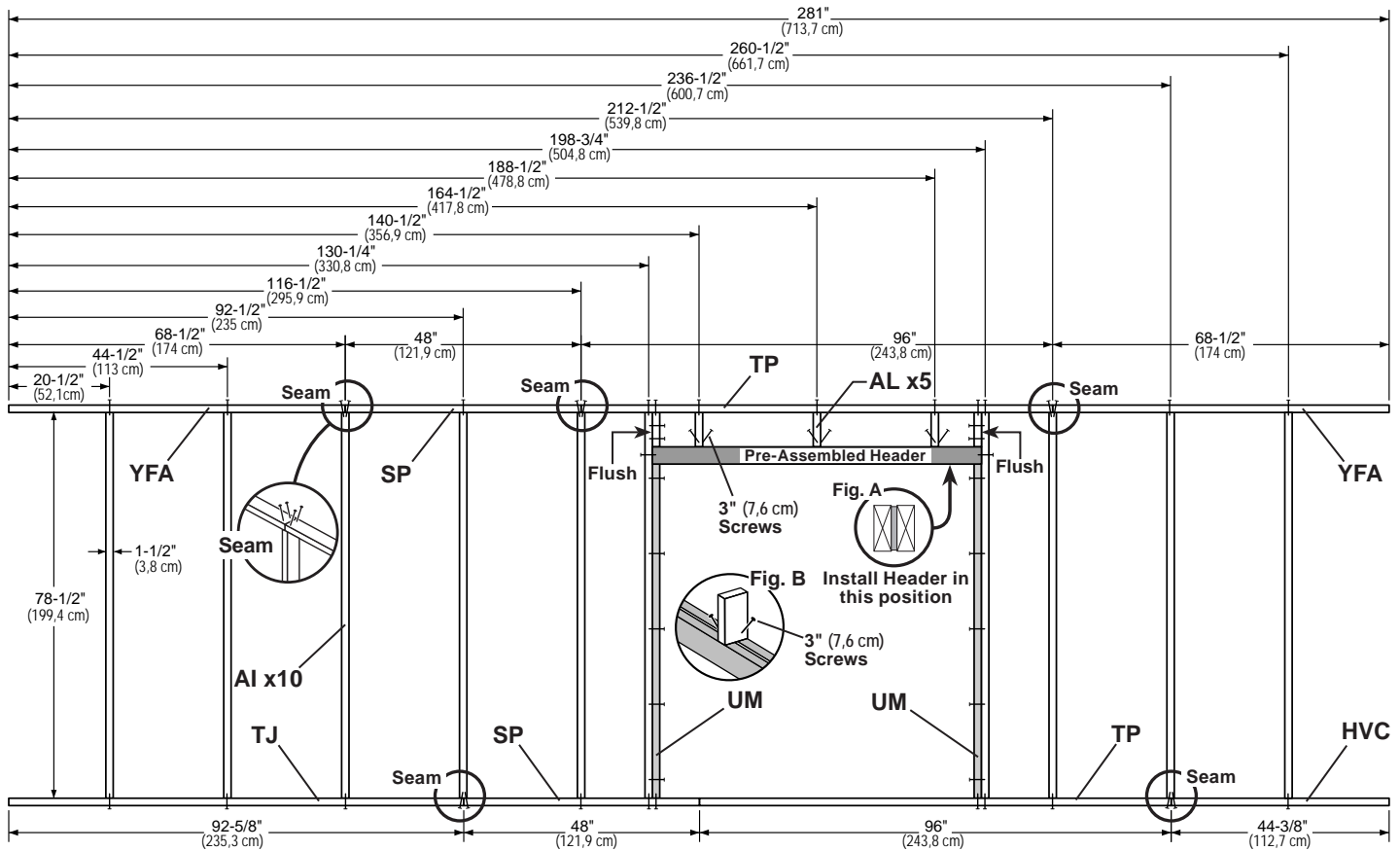
- x5 **AL**
2 x 4 x 7" (5,1 x 10,2 x 17,8 cm)
- x1 **HVC**
2 x 4 x 44-3/8" (5,1 x 10,2 x 112,7 cm)
- x2 **TP**
2 x 4 x 96" (5,1 x 10,2 x 243,8 cm)
- x2 **UM**
2 x 4 x 68" (5,1 x 10,2 x 172,7 cm)
- x2 **YFA**
2 x 4 x 68-1/2" (5,1 x 10,2 x 174 cm)
- Pre Assembled Header**
- x1 **TJ**
2 x 4 x 92-5/8" (5,1 x 10,2 x 235 cm)

- x96  3" (7,6 cm)
- x6  3" (7,6 cm)



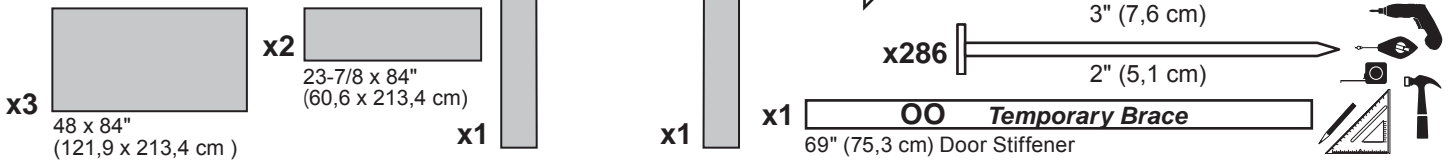
✓ BEGIN

- 1 Orient parts on edge on floor as shown. Measure and mark from end of boards.
Orient **Pre Assembled Header** as shown (**Fig. A**).
Secure with (2) 3" nails at each connection and (4) 3" nails at seams.
- 2 Fasten (3) middle parts **AL** to **Pre Assembled Header** with (2) 3" screws (**Fig. B**).
Fasten (2) end **AL** to studs **AI** with (4) 3" nails at each side.
Secure parts **AL** to top plates with (2) 3" nails at each connection and (4) 3" nails at seam.

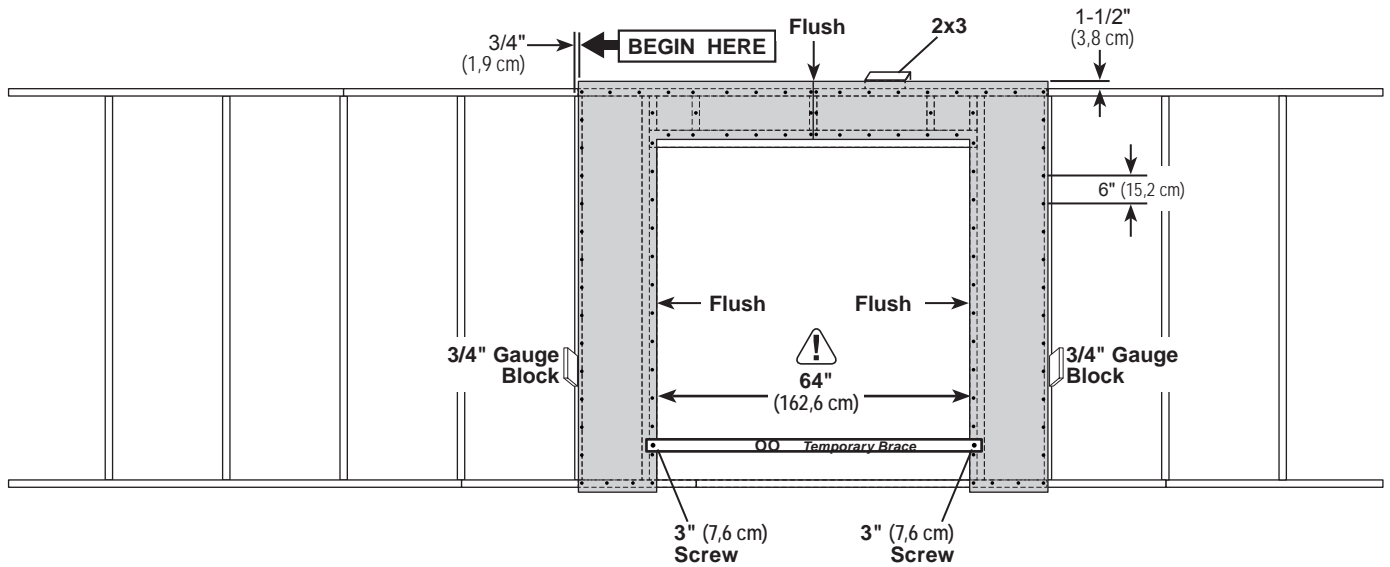


24' EAVE WALL 18 WITH DOOR

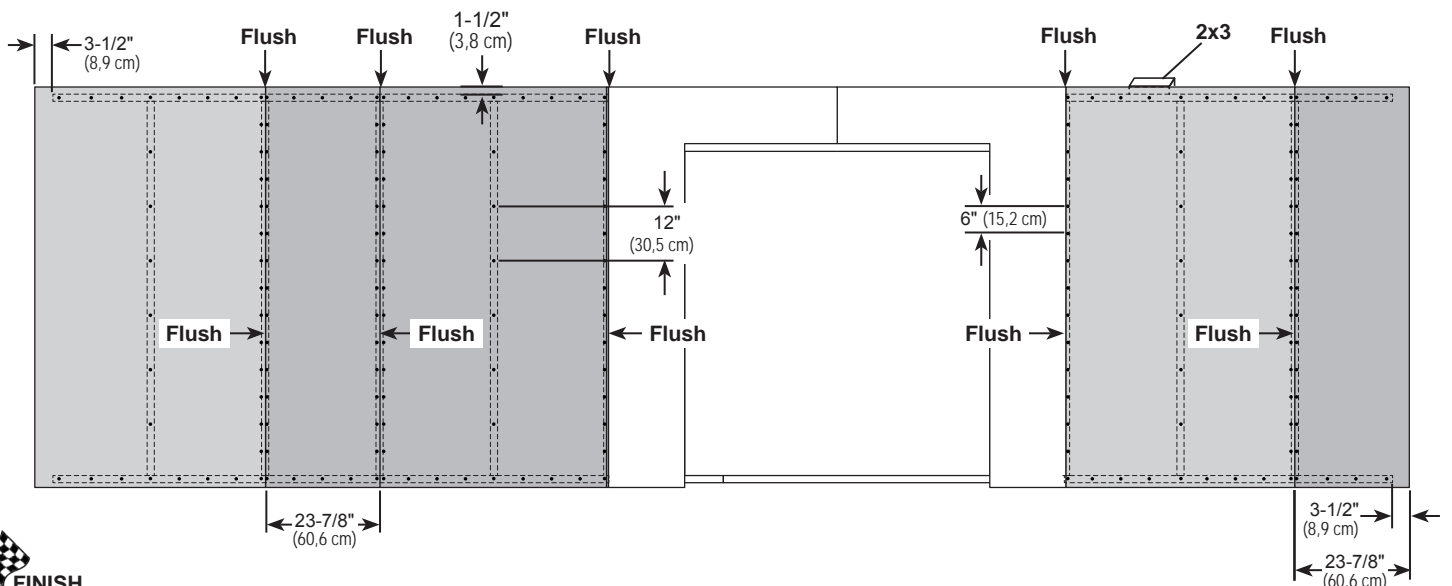
PARTS REQUIRED:



- 3** Install the left panel 1-1/2" from the top plate. Use a 2x3 spacer for consistent measurement. Secure panel with 2" nails spaced 6" apart on edges.
- 4** Install the right panel flush to installed panel, as shown. Ensure 64" (162,8 cm) door measurement. Use part **OO** as a temporary brace. Secure with (2) 3" screws. Secure panels with 2" nails spaced 6" apart on edges.



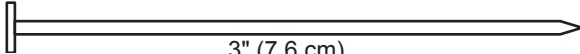
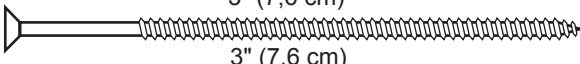

- 5** Install (2) 48" x 84" panel flush to installed panels and 1-1/2" from the top plate. Secure with 2" nails spaced 6" apart on edges and 12" apart inside panel.



Your 24' eave wall 18 with door is now assembled. Carefully flip the wall over.

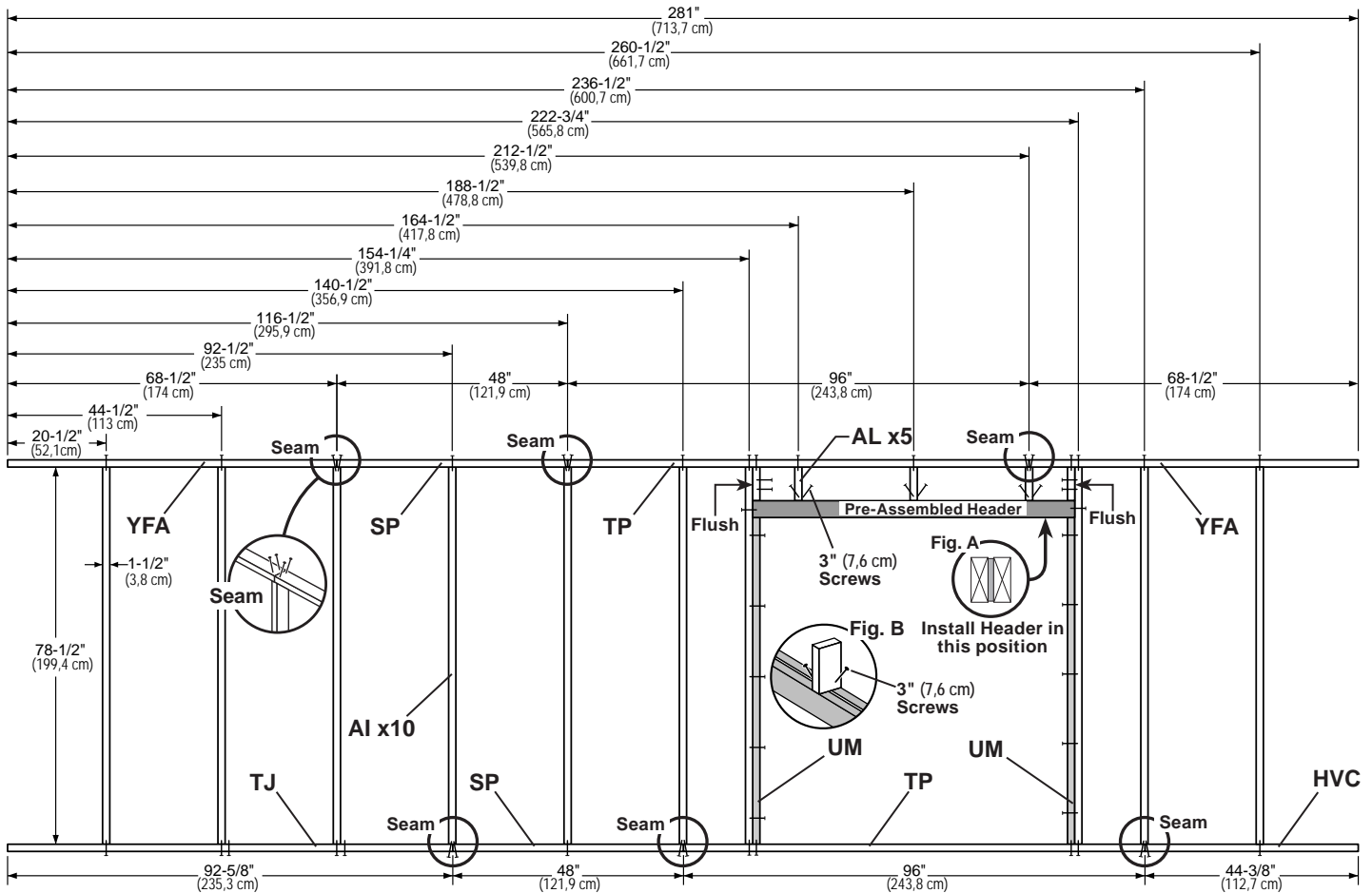
24' EAVE WALL 19 WITH DOOR

PARTS REQUIRED:

x5	AL 2 x 4 x 7" (5,1 x 10,2 x 17,8 cm)	x1	HVC 2 x 4 x 44-3/8" (5,1 x 10,2 x 112,7 cm)	x102	 3" (7,6 cm)
x2	TP 2 x 4 x 96" (5,1 x 10,2 x 243,8 cm)	x2	SP 2 x 4 x 48" (5,1 x 10,2 x 121,9 cm)	x6	 3" (7,6 cm)
x2	UM 2 x 4 x 68" (5,1 x 10,2 x 172,7 cm)	x2	SP 2 x 4 x 48" (5,1 x 10,2 x 121,9 cm)		
x2	YFA 2 x 4 x 68-1/2" (5,1 x 10,2 x 174 cm)	x10	AI 2 x 4 x 78-1/2" (5,1 x 10,2 x 199,4 cm)		
x1	Pre Assembled Header	x1	TJ 2 x 4 x 92-5/8" (5,1 x 10,2 x 235 cm)		

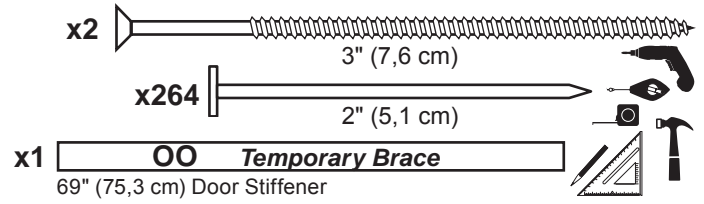
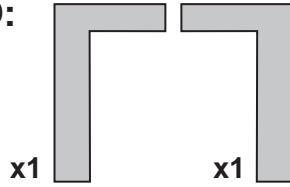
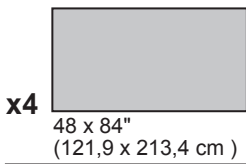
✓ BEGIN

- 1** Orient parts on edge on floor as shown. Measure and mark from end of boards.
Orient **Pre Assembled Header** as shown (**Fig. A**).
Secure with (2) 3" nails at each connection and (4) 3" nails at seams.
- 2** Fasten (3) middle parts **AL** to **Pre Assembled Header** with (2) 3" screws (**Fig. B**).
Fasten (2) end **AL** to studs **AI** with (4) 3" nails at each side.
Secure parts **AL** to top plates with (2) 3" nails at each connection and (4) 3" nails at seam.

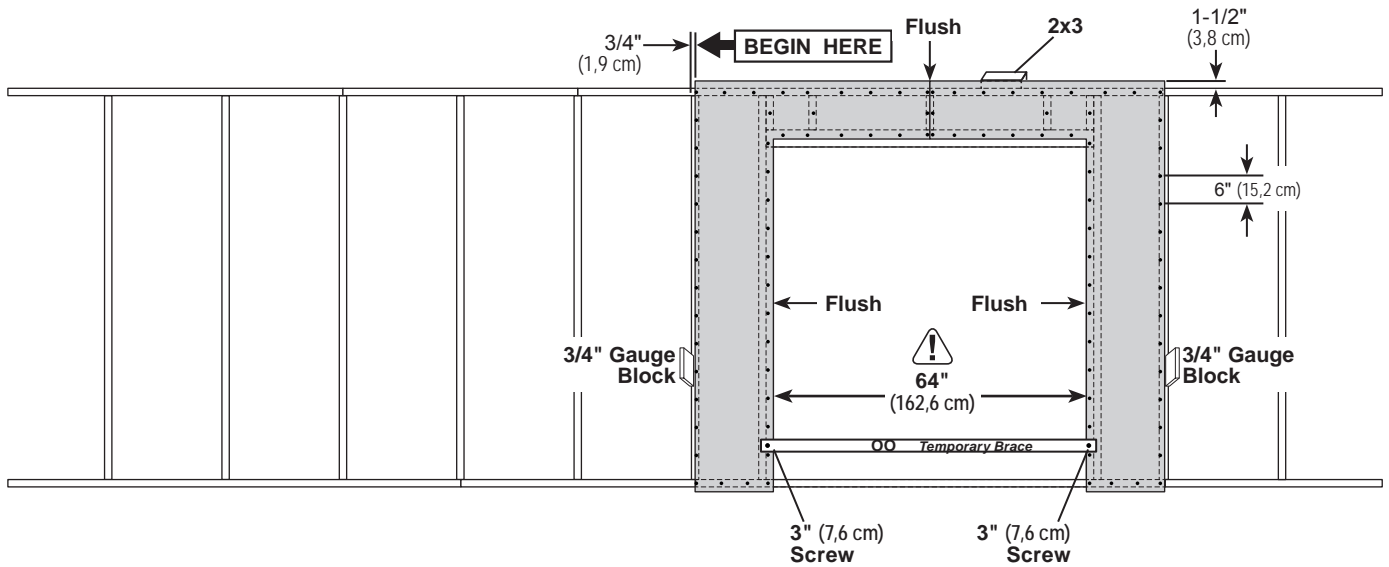


24' EAVE WALL 19 WITH DOOR

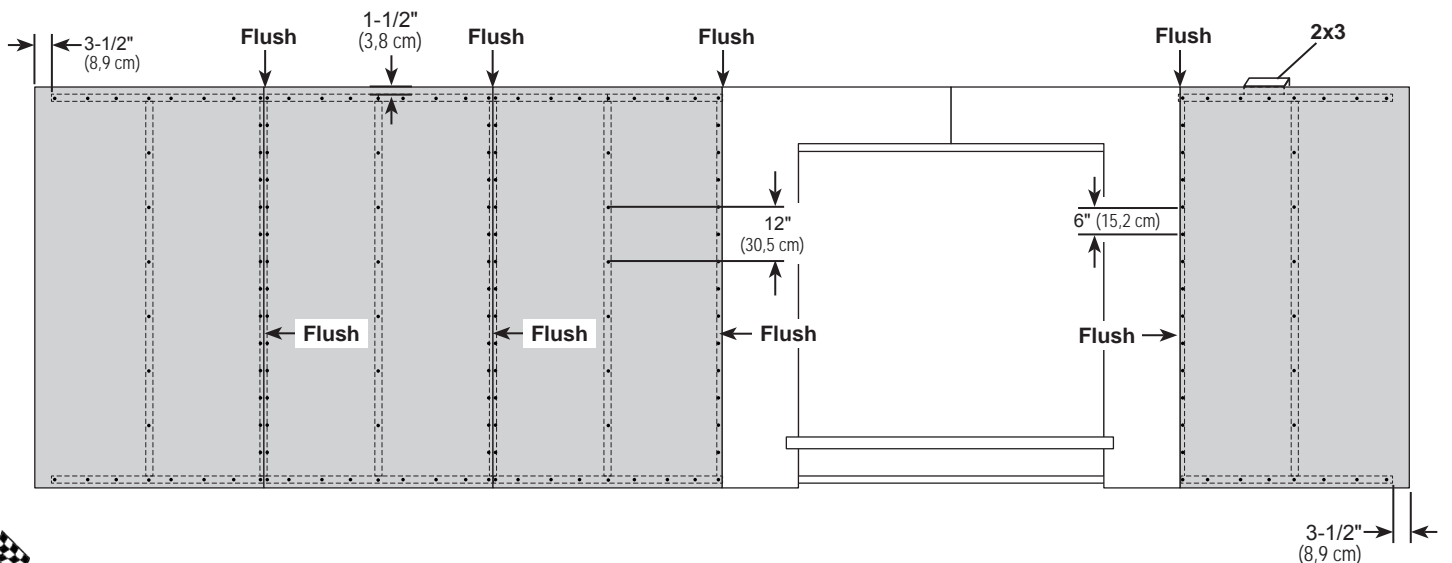
PARTS REQUIRED:



- 3** Install the left panel 1-1/2" from the top plate. Use a 2x3 spacer for consistent measurement. Secure panel with 2" nails spaced 6" apart on edges.
- 4** Install the right panel flush to installed panel, as shown. Ensure 64" (162,8 cm) door measurement. Use part **OO** as a temporary brace. Secure with (2) 3" screws. Secure panels with 2" nails spaced 6" apart on edges.



- 5** Install (2) 48" x 84" panel flush to installed panels and 1-1/2" from the top plate. Secure with 2" nails spaced 6" apart on edges and 12" apart inside panel.

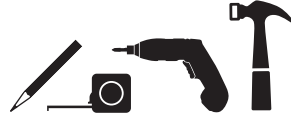


Your 24' eave wall 19 with door is now assembled. Carefully flip the wall over.

12' GABLE WALL 02 INSTALLATION

PARTS REQUIRED:

x1 **OO**
69" (175,3 cm) Door Stiffener

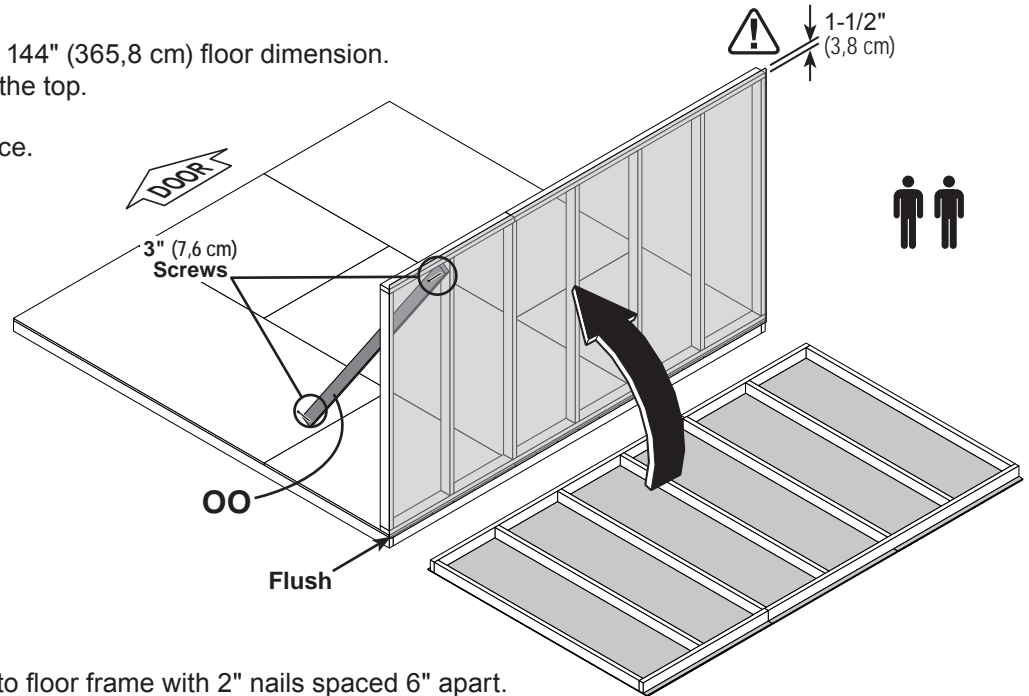


x12 3" (7,6 cm)
x2 3" (7,6 cm)
x27 2" (5,1 cm)

✓ BEGIN

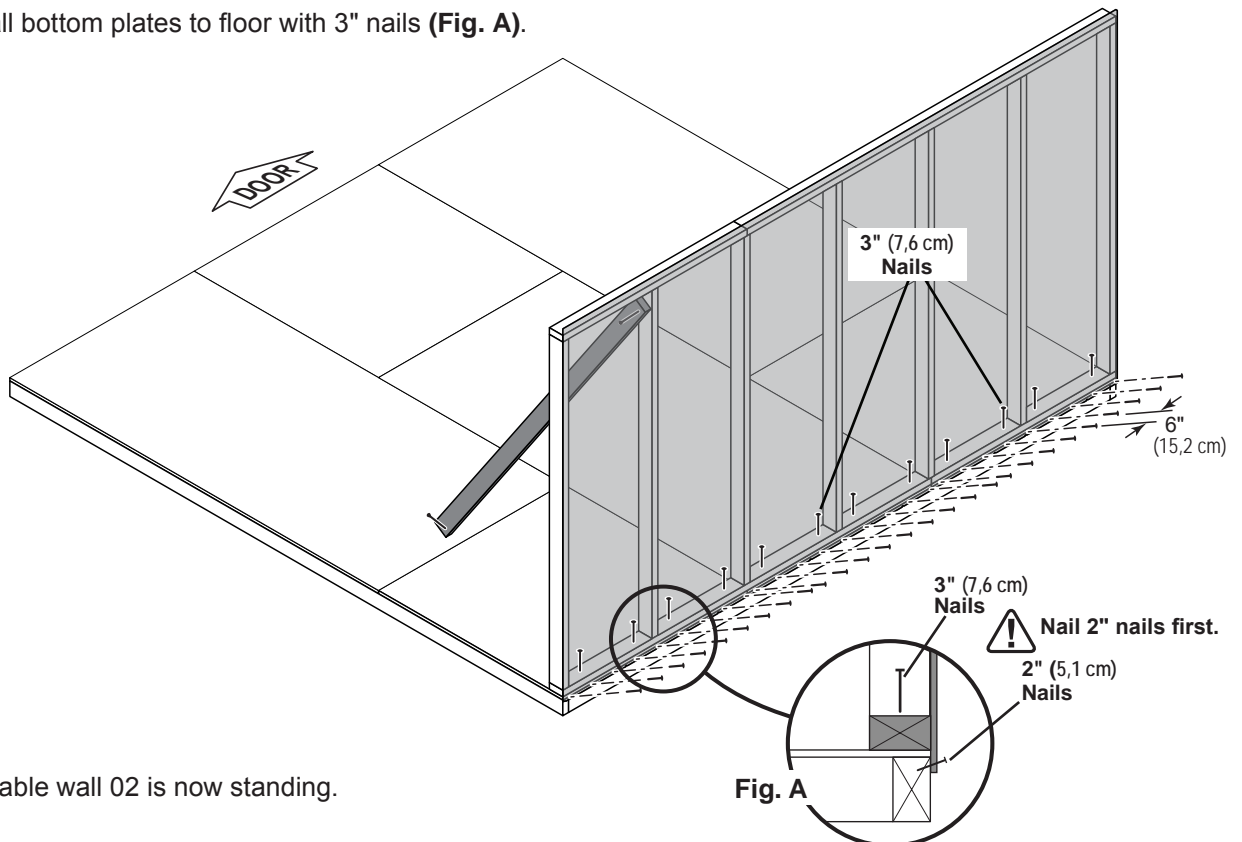
- Center 12' gable wall on the 144" (365,8 cm) floor dimension. 1-1/2" (3,8 cm) overlap is to the top.

Use **OO** as a temporary brace.
Secure with (2) 3" screws.



- Secure lower edge of panel to floor frame with 2" nails spaced 6" apart. Angle nails into floor frame (**Fig. A**).

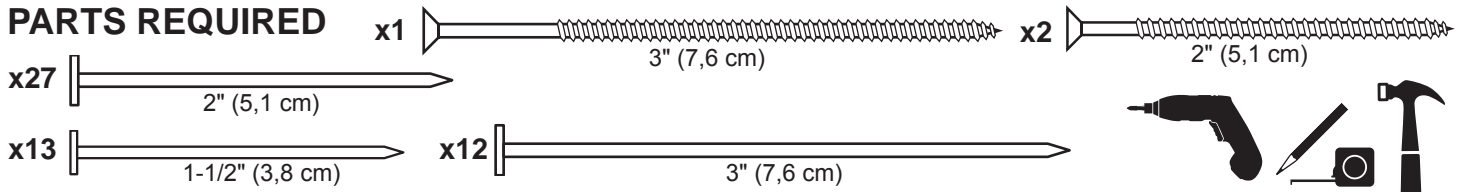
Secure wall bottom plates to floor with 3" nails (**Fig. A**).



Your 12' gable wall 02 is now standing.

12' EAVE WALL 04 INSTALLATION

PARTS REQUIRED



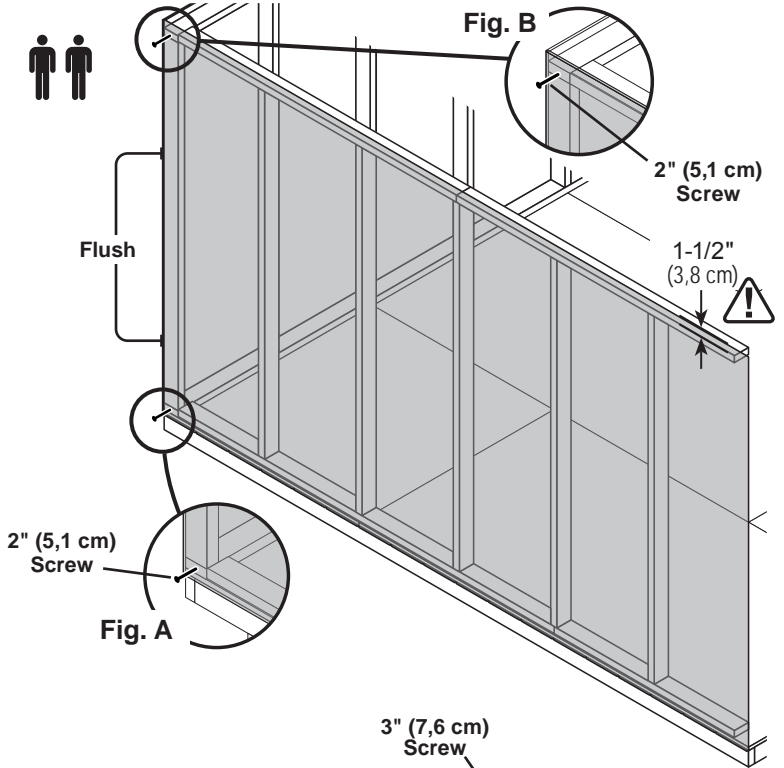
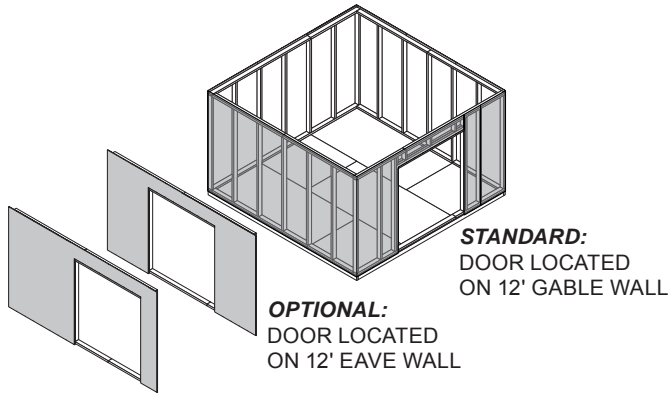
✓ BEGIN

- Place 12' eave wall centered on floor.
1-1/2" (3,8 cm) overlap is to the top.

Secure wall with (1) 2" screw into 12' gable wall bottom plate (**Fig. A**) and top plate (**Fig. B**).

Secure wall to bottom plate first.

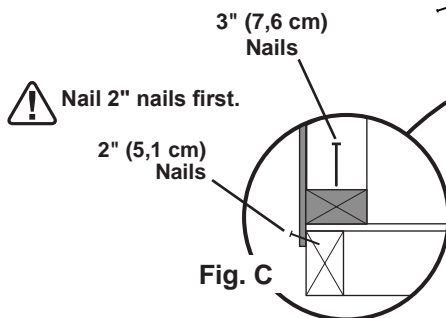
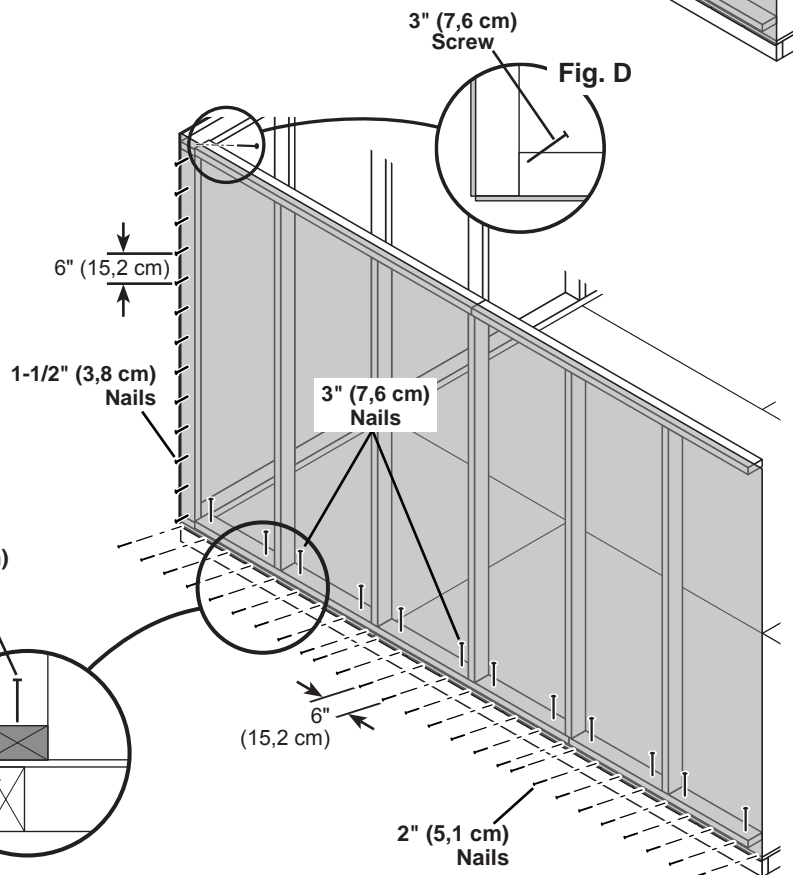
⚠ ENSURE PANEL CORNERS ARE FLUSH.



- Nail lower edge of panels to floor with 2" nails spaced 6" apart.
Angle nails into floor frame (**Fig. C**).

Nail panel to 12' wall stud with 1-1/2" nails spaced 6" apart.

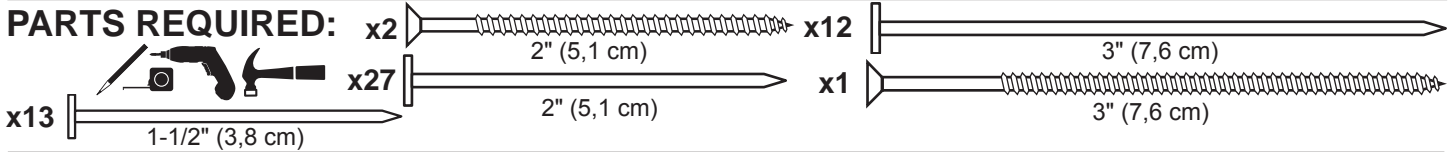
- Secure wall top plate with (1) 3" screw angled at the corner at an angle as shown (**Fig. D**).



Your 12' eave wall 04 is now installed.

2nd 12' EAVE WALL 04 INSTALLATION

PARTS REQUIRED:



✓ BEGIN

- Place 2nd 12' eave wall centered on floor
1-1/2" (3,8 cm) overlap is to the top.

⚠ ENSURE PANEL CORNERS ARE FLUSH.

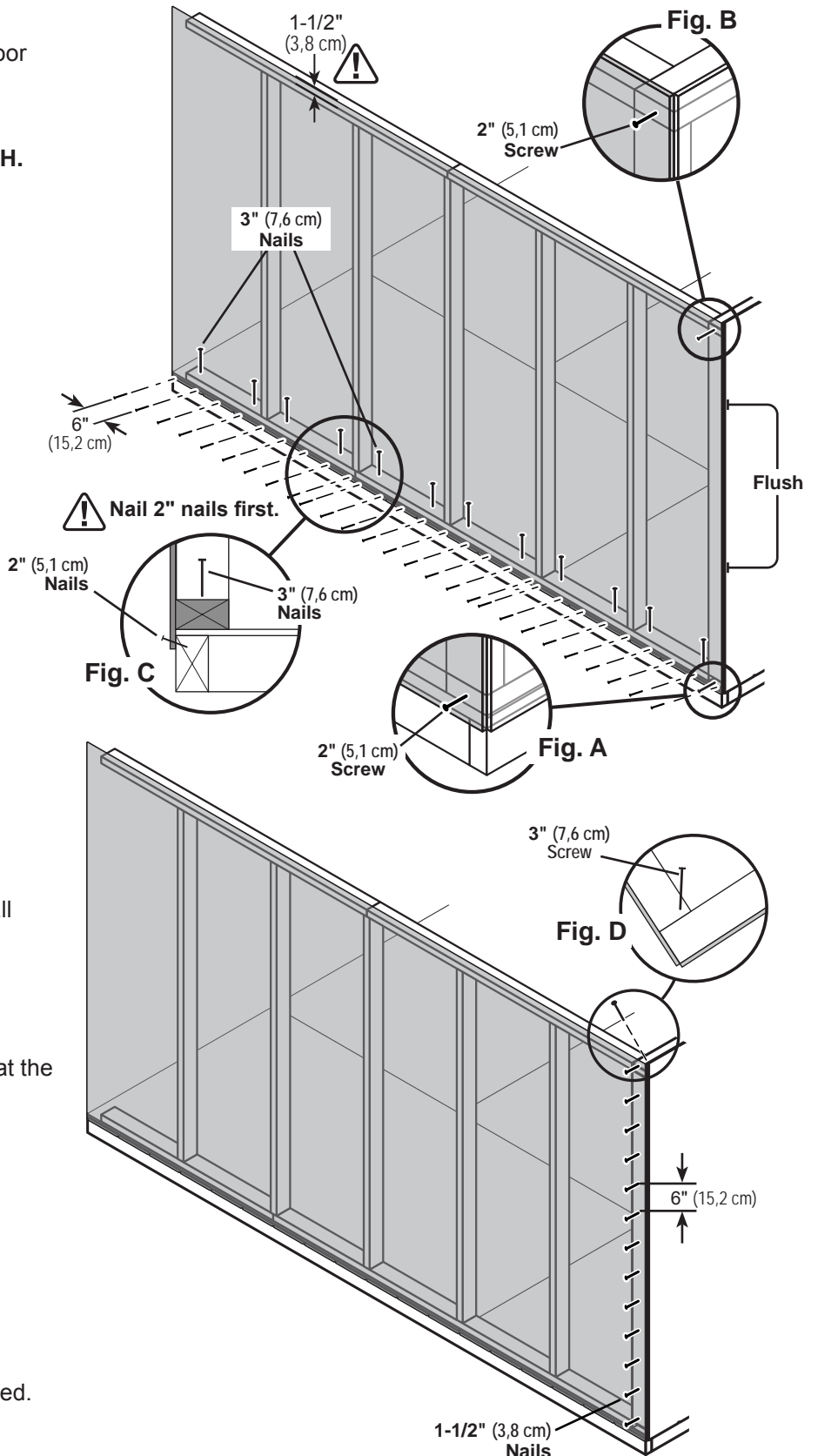
- Secure wall with (1) 2" screw through eave wall panel into 12' gable wall bottom and top plates (**Fig. B, Fig. A**).
Secure wall to bottom plate first.

- Nail lower edge of wall panels to floor frame with 2" nails spaced 6" apart.
Angle nails into floor frame (**Fig. C**).

Secure wall bottom plates to floor with 3" nails (**Fig. C**).

- Nail 12' eave wall panel to 12' gable wall stud with 1-1/2" nails spaced 6" apart.

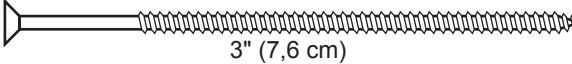
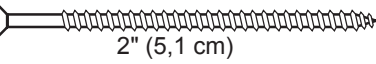
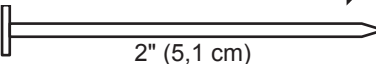
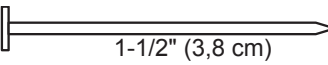
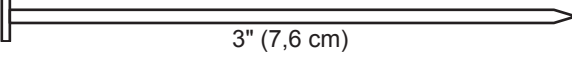
- Secure wall top plate with (1) 3" screw at the corner at an angle as shown (**Fig. D**).

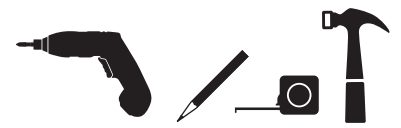


Your 2nd 12' eave wall 04 is now installed.

12' GABLE WALL 01 WITH DOOR INSTALLATION

PARTS REQUIRED

- x2  3" (7,6 cm) x4  2" (5,1 cm)
- x16  2" (5,1 cm)
- x26  1-1/2" (3,8 cm) x8  3" (7,6 cm)



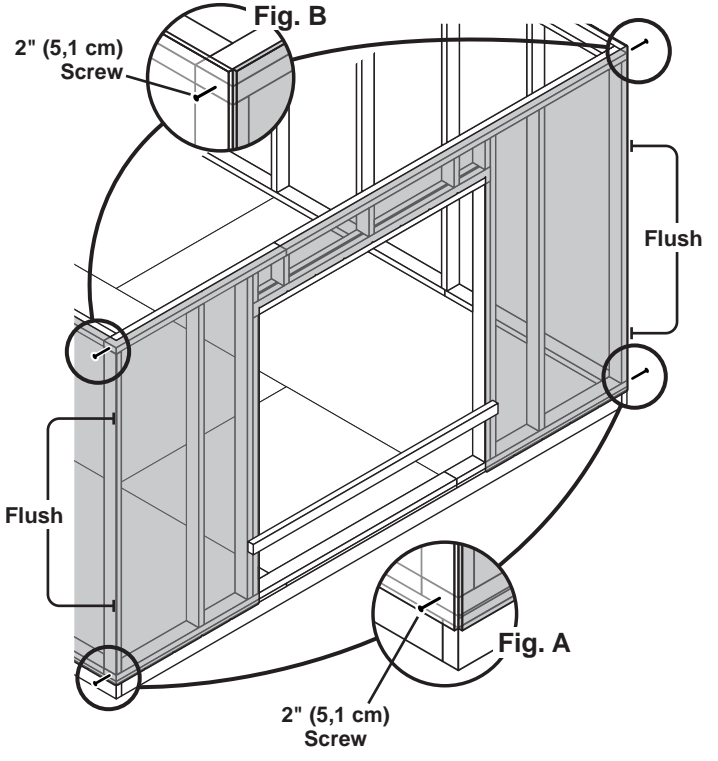
✓ BEGIN



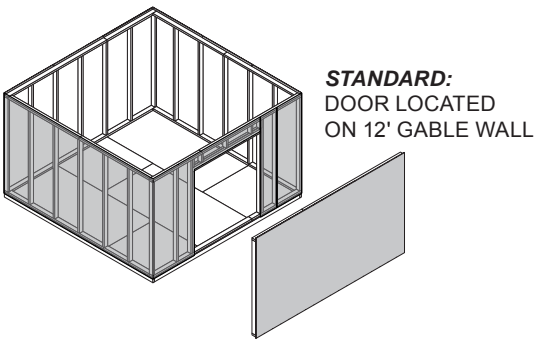
1 Place 12' gable wall on floor, centered between installed walls.

Secure wall with 2" screws into top and bottom plates (Fig. A, Fig. B).

Secure wall to bottom plate first.



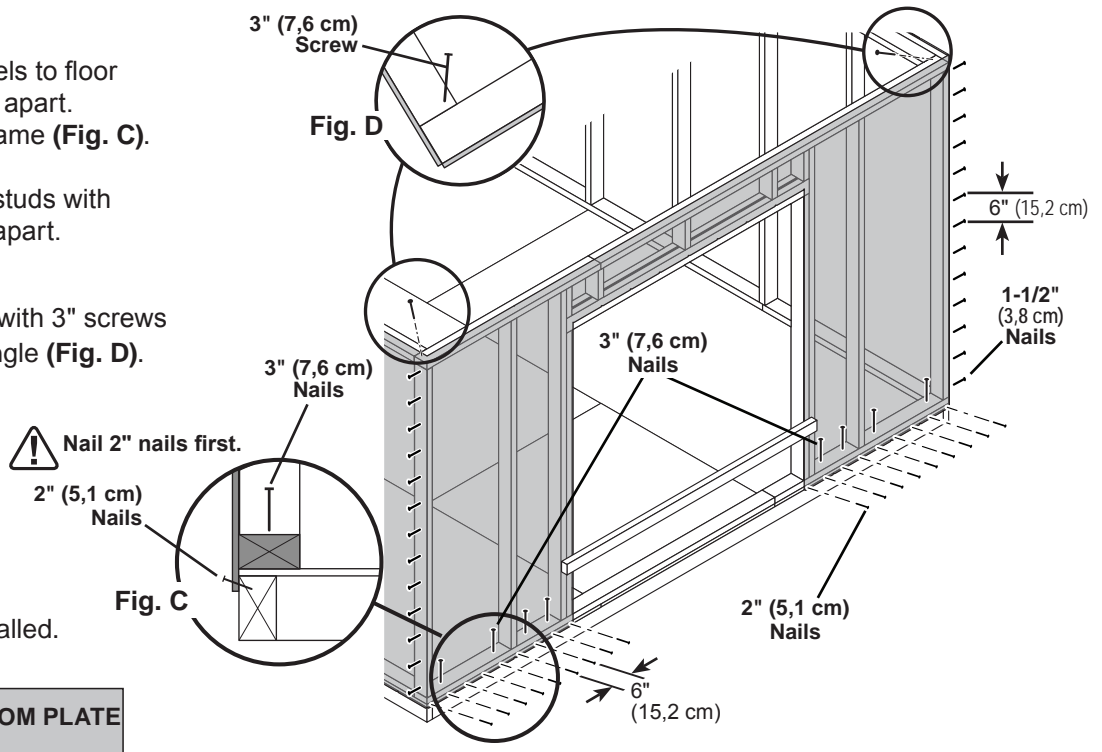
⚠ ENSURE PANEL CORNERS ARE FLUSH. ⚠



2 Nail lower edge of panels to floor with 2" nails spaced 6" apart. Angle nails into floor frame (Fig. C).

Nail panels to 24' wall studs with 1-1/2" nails spaced 6" apart.

3 Secure wall top plates with 3" screws at each corner at an angle (Fig. D).



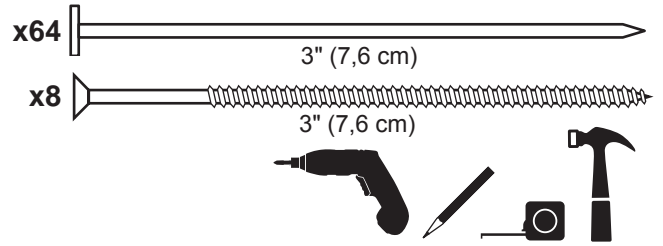
FINISH
Your walls are now installed.

**CUT OUT AND REMOVE BOTTOM PLATE AT DOOR OPENING.
REMOVE TEMPORARY BRACING.**

12' x 12' WALL DOUBLERS INSTALLATION

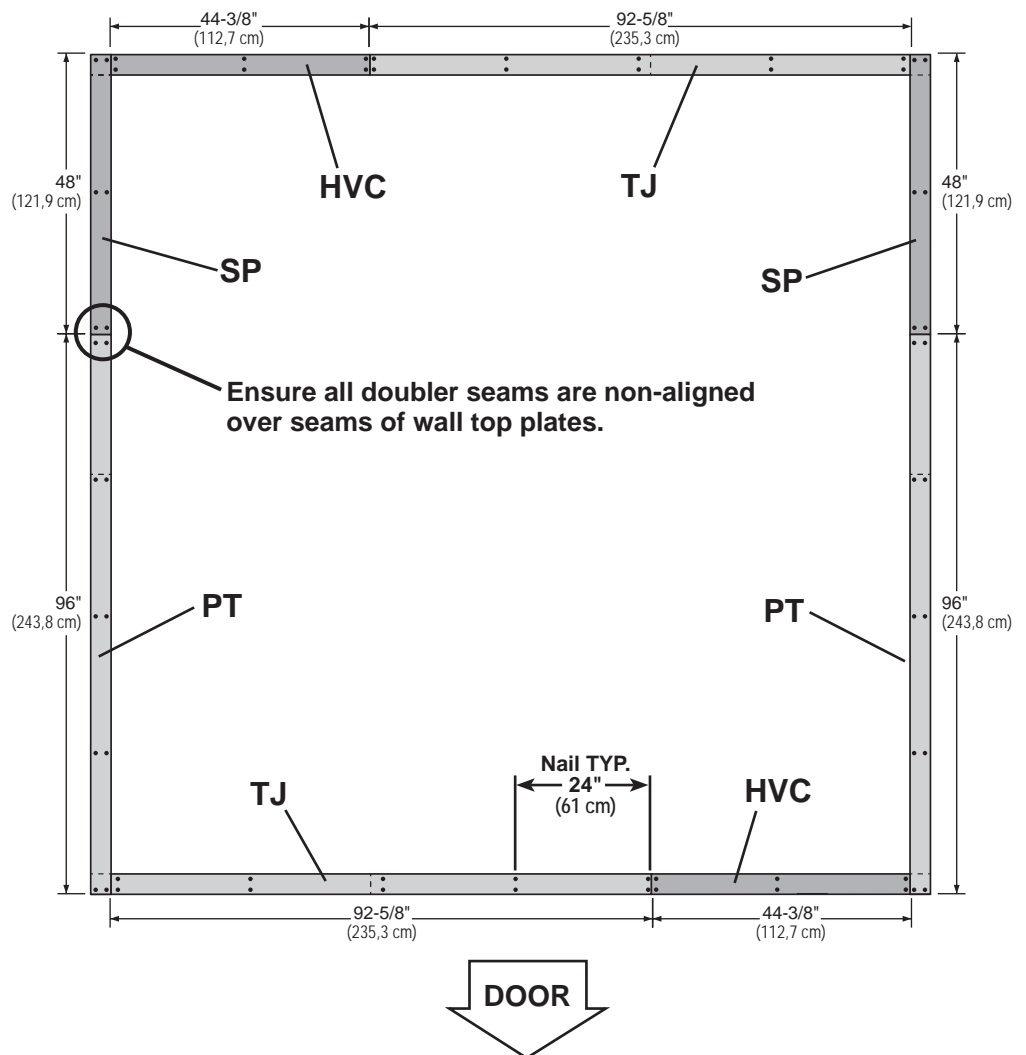
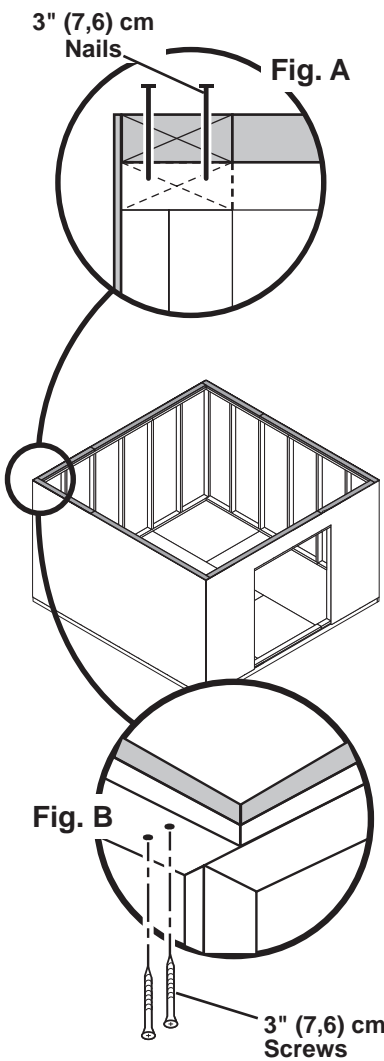
PARTS REQUIRED:

- x2 **SP**
2 x 4 x 48" (5,1 x 10,2 x 121,9 cm)
- x2 **HVC**
2 x 4 x 44-3/8" (5,1 x 10,2 x 112,7 cm)
- x2 **TJ**
2 x 4 x 92-5/8" (5,1 x 10,2 x 235 cm)
- x2 **PT**
2 x 4 x 96" (5,1 x 10,2 x 243,8 cm)



✓ BEGIN

- 1 Orient parts on top of wall frames. Measure and mark from end of boards. Secure from top with (2) 3" nails spaced every 24" (Fig. A).
- 2 Secure from bottom with (2) 3" screws at each corner (Fig. B).



Your wall doublers are now installed.

CONTINUE TO PAGE 79 TO RESUME CONSTRUCTION OF 12' X 12' SHED.

12' GABLE WALL 02 INSTALLATION

PARTS REQUIRED:

x1 **OO**
69" (175,3 cm) Door Stiffener

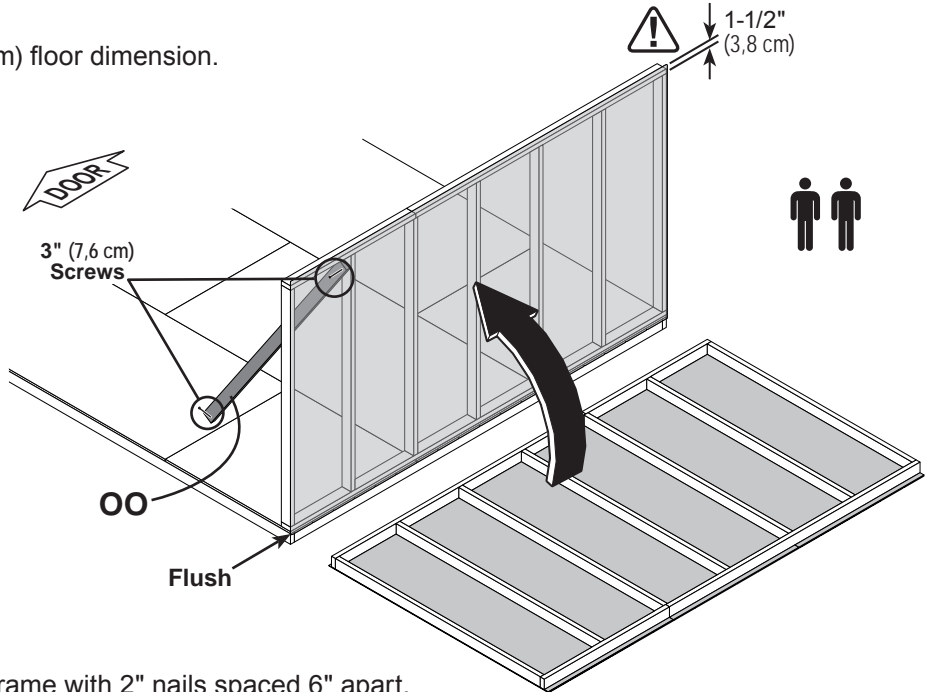


x12 3" (7,6 cm)
x2 3" (7,6 cm)
x27 2" (5,1 cm)

✓ BEGIN

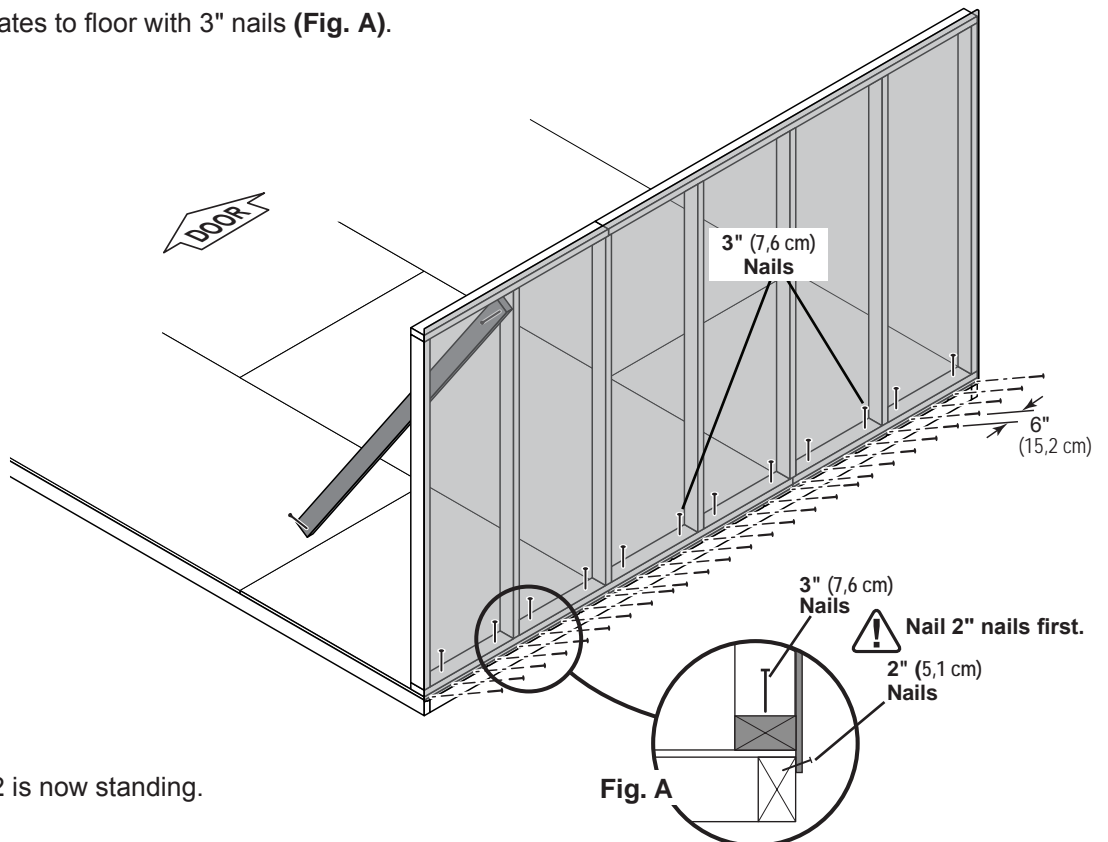
- Center 12' wall on the 120" (304,8 cm) floor dimension.
1-1/2" (3,8 cm) overlap is to the top.

Use **OO** as a temporary brace.
Secure with (2) 3" screws.



- Secure lower edge of panel to floor frame with 2" nails spaced 6" apart.
Angle nails into floor frame (**Fig. A**).

Secure wall bottom plates to floor with 3" nails (**Fig. A**).




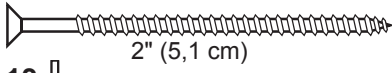
Your 12' gable wall 02 is now standing.

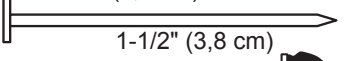
1st 16' EAVE WALL 07 INSTALLATION

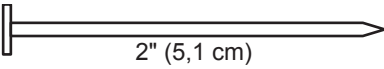
PARTS REQUIRED

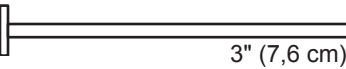
x1 **TJ Temporary Brace**
2 x 4 x 92-5/8" (5,1 x 10,2 x 235 cm)

x3  3" (7,6 cm)

x2  2" (5,1 cm)

x13  1-1/2" (3,8 cm)

x36  2" (5,1 cm)

x16  3" (7,6 cm)



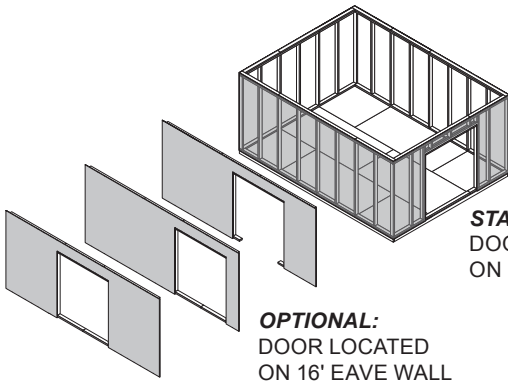
✓ BEGIN 1

Place 1st 16' eave wall centered on floor.
The 1-1/2" (3,8 cm) overlap is to the top.
Use **TJ** as a temporary brace as shown.
Secure **TJ** with (2) 3" screws.

Secure wall with (1) 2" screw into 12' wall
bottom plate (**Fig. A**) and top plate (**Fig. B**).

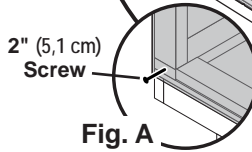
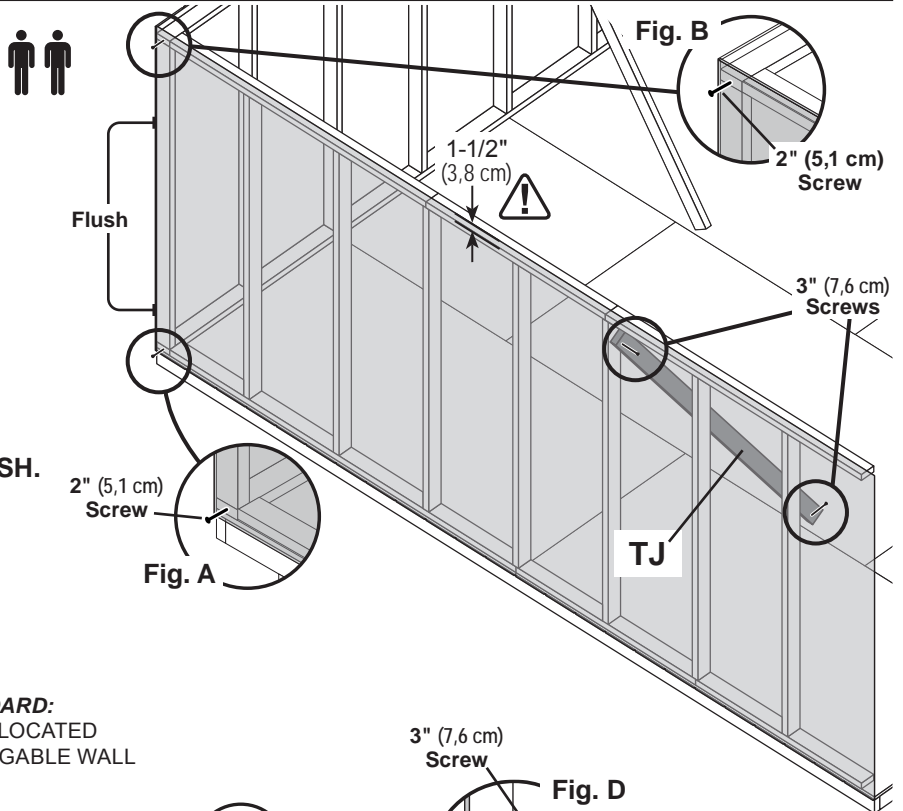
Secure wall to bottom plate first.

! ENSURE PANEL CORNERS ARE FLUSH.



STANDARD:
DOOR LOCATED
ON 12' GABLE WALL

OPTIONAL:
DOOR LOCATED
ON 16' EAVE WALL



2

Nail lower edge of panels to floor
with 2" nails spaced 6" apart.
Angle nails into floor frame
(**Fig. C**).

Nail panel to 12' wall stud with
1-1/2" nails spaced 6" apart.

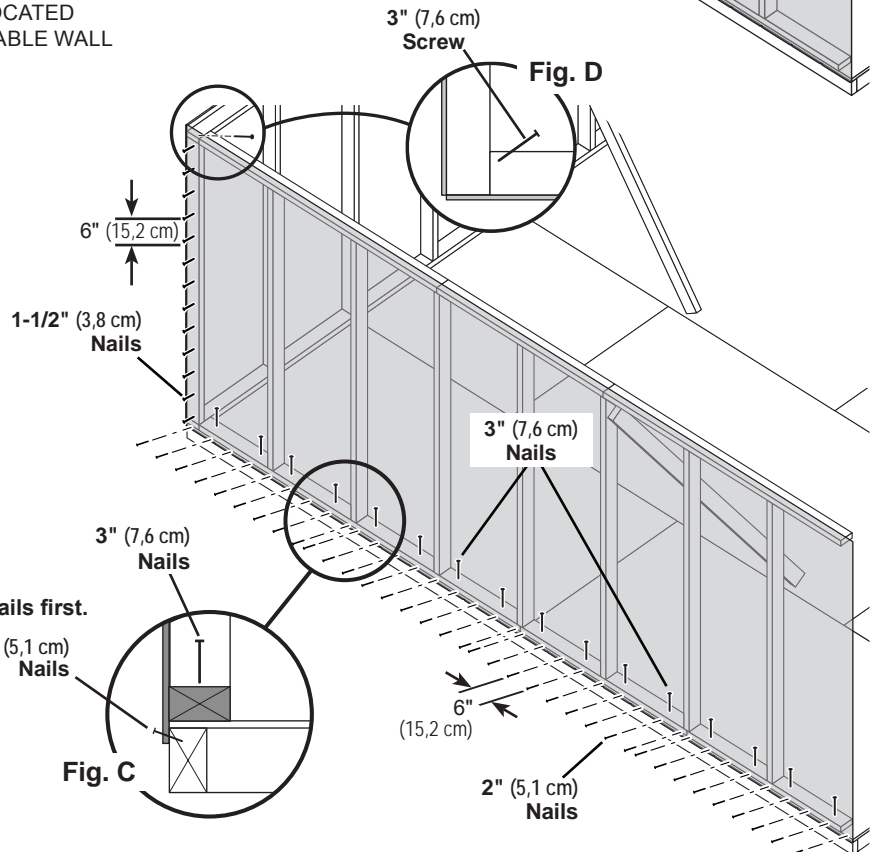
3

Secure wall top plate with (1) 3" screw
at the corner at an angle as shown
(**Fig. D**).

! Nail 2" nails first.

2" (5,1 cm) Nails

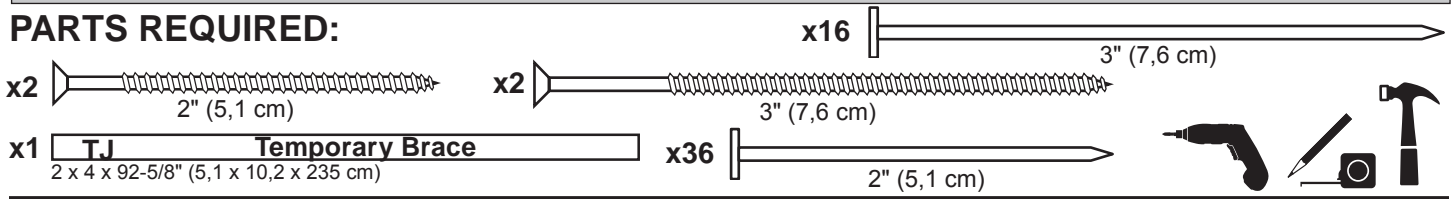
Fig. C



Your 1st 16' eave wall 07 is now installed.

2nd 16' EAVE WALL (07 or 08) INSTALLATION

PARTS REQUIRED:

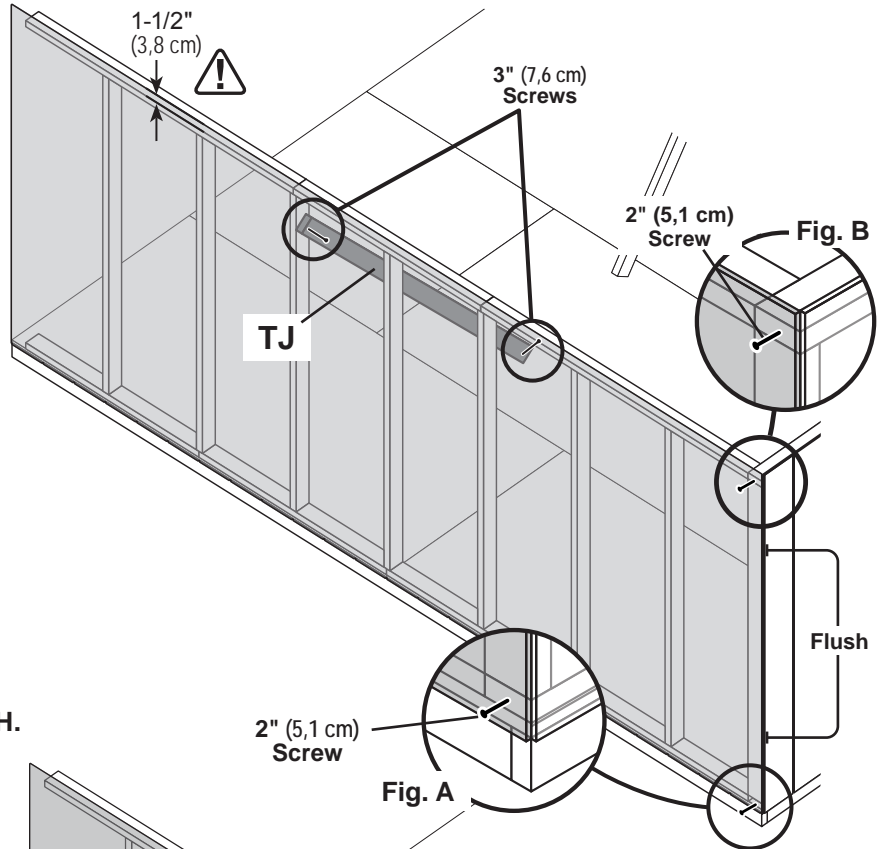


✓ BEGIN
1



Place 2nd 16' wall centered on floor.
The 1-1/2" (3,8 cm) overlap is to the top.

Use **TJ** as a temporary brace as shown.
Secure **TJ** with (2) 3" screws.



2

Secure wall with (1) 2" screw through gable wall panel into 12' wall bottom and top plates (**Fig. A, Fig. B**).

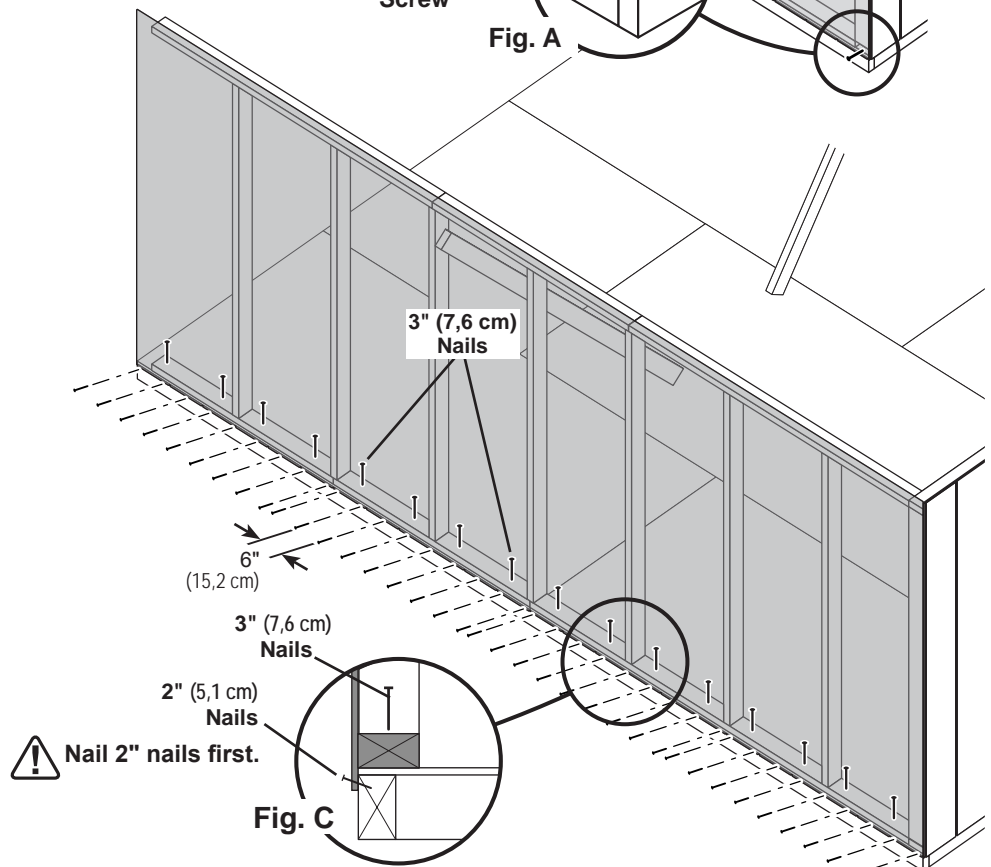
Secure wall to bottom plate first.

⚠ ENSURE PANEL CORNERS ARE FLUSH.

3

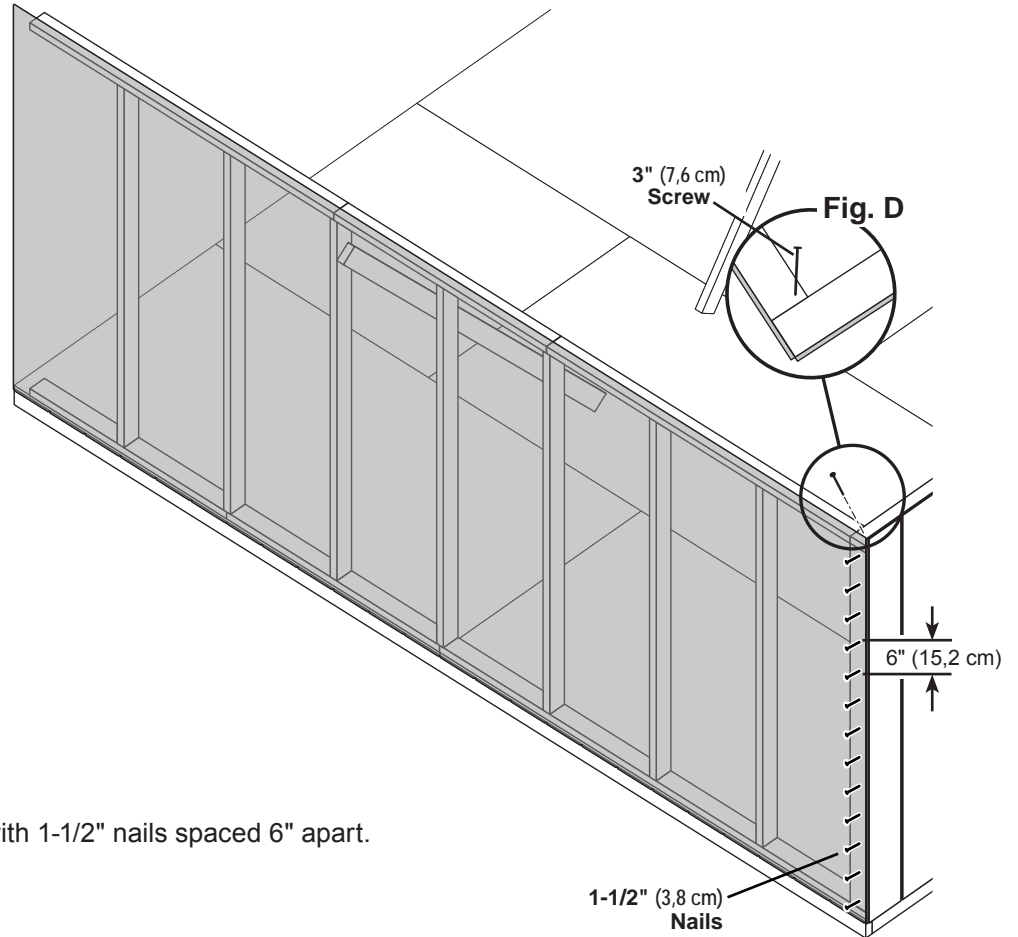
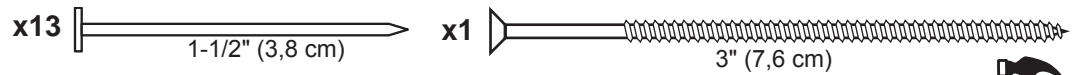
Nail lower edge of wall panels to floor frame with 2" nails spaced 6" apart.
Angle nails into floor frame (**Fig. C**).

Secure wall bottom plates to floor with 3" nails (**Fig. C**).



2nd 16' EAVE WALL (07 or 08) INSTALLATION

PARTS REQUIRED:



4

Nail 16' wall panel to 12' wall stud with 1-1/2" nails spaced 6" apart.

5

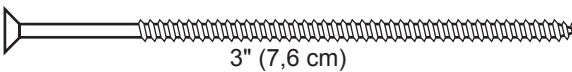
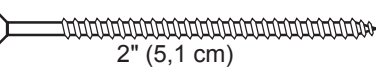
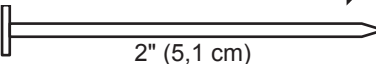
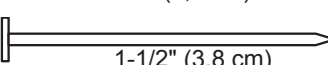
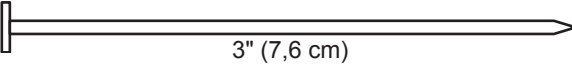
Secure gable wall top plate with (1) 3" screw at the corner at an angle, as shown (**Fig. D**).

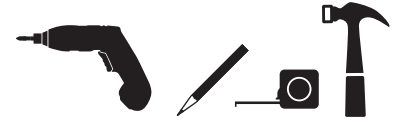


Your 2nd 16' (07 or 08) wall is now installed.

12' GABLE WALL 01 WITH DOOR INSTALLATION

PARTS REQUIRED

- x2  3" (7,6 cm) x4  2" (5,1 cm)
- x16  2" (5,1 cm)
- x26  1-1/2" (3,8 cm) x8  3" (7,6 cm)



✓ BEGIN

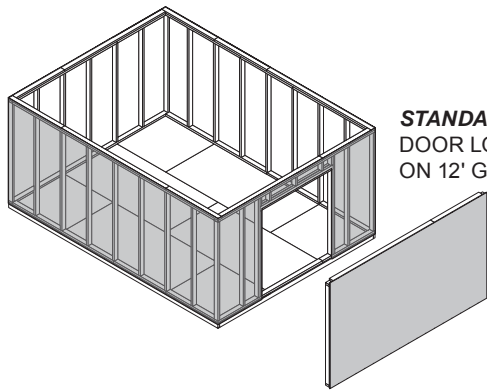


1 Place 12' gable wall on floor, centered between installed walls.

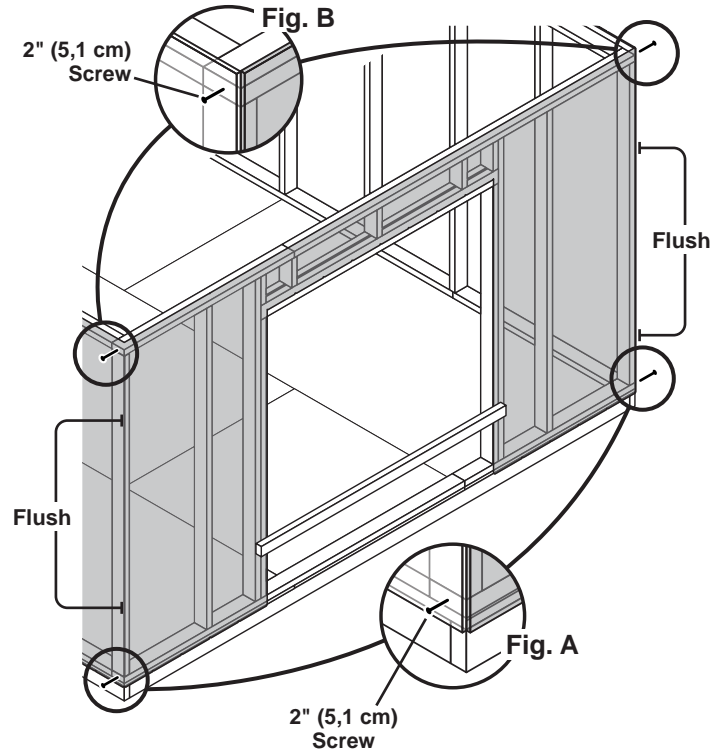
Secure wall with 2" screws into top and bottom plates (Fig. A, Fig. B).

Secure wall to bottom plate first.

⚠ ENSURE PANEL CORNERS ARE FLUSH. ⚠



STANDARD:
DOOR LOCATED
ON 12' GABLE WALL

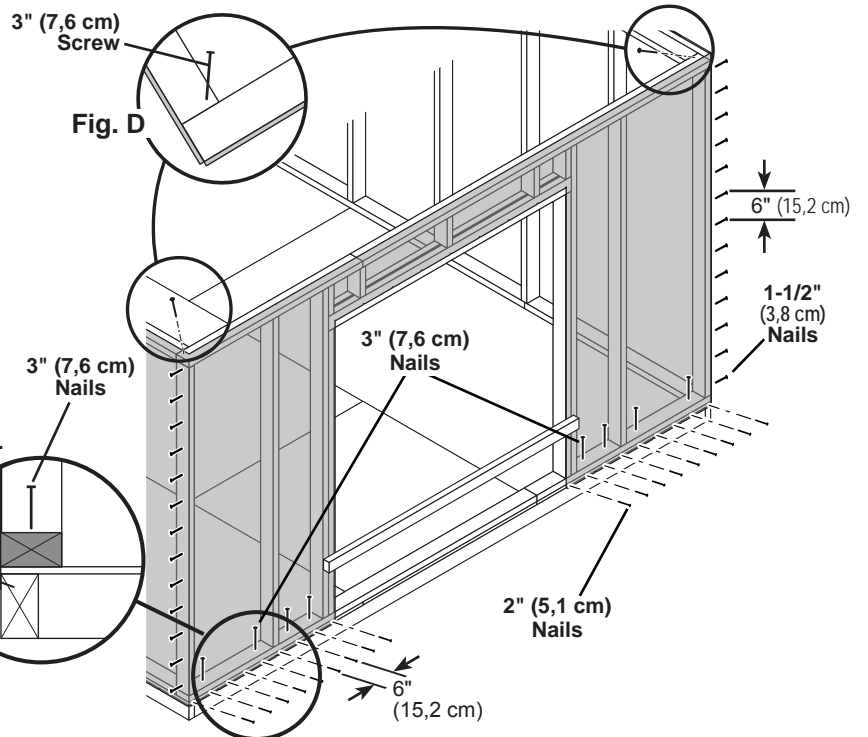
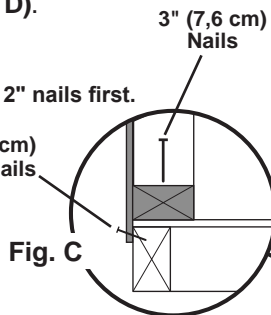


2 Nail lower edge of panels to floor with 2" nails spaced 6" apart. Angle nails into floor frame (Fig. C).

Nail panels to 24' wall studs with 1-1/2" nails spaced 6" apart.

3 Secure wall top plates with 3" screws at each corner at an angle (Fig. D).

⚠ Nail 2" nails first.
2" (5,1 cm) Nails



FINISH
Your walls are now installed.

**CUT OUT AND REMOVE BOTTOM PLATE AT DOOR OPENING.
REMOVE TEMPORARY BRACING.**

12' GABLE WALL 02 INSTALLATION

PARTS REQUIRED:

x1 **OO**
69" (175,3 cm) Door Stiffener

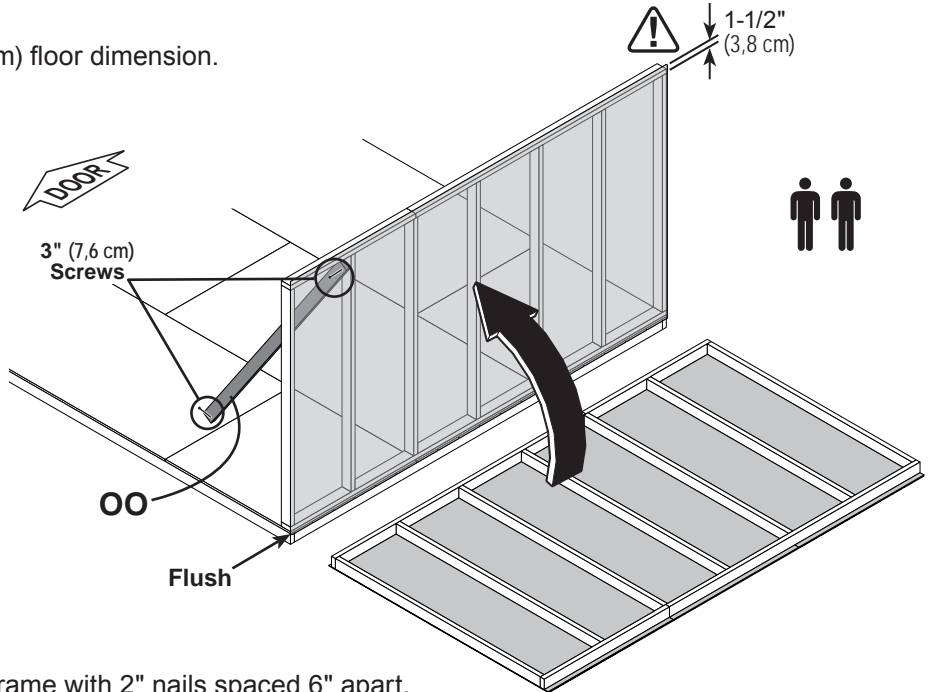


x12 3" (7,6 cm)
x2 3" (7,6 cm)
x27 2" (5,1 cm)

✓ BEGIN

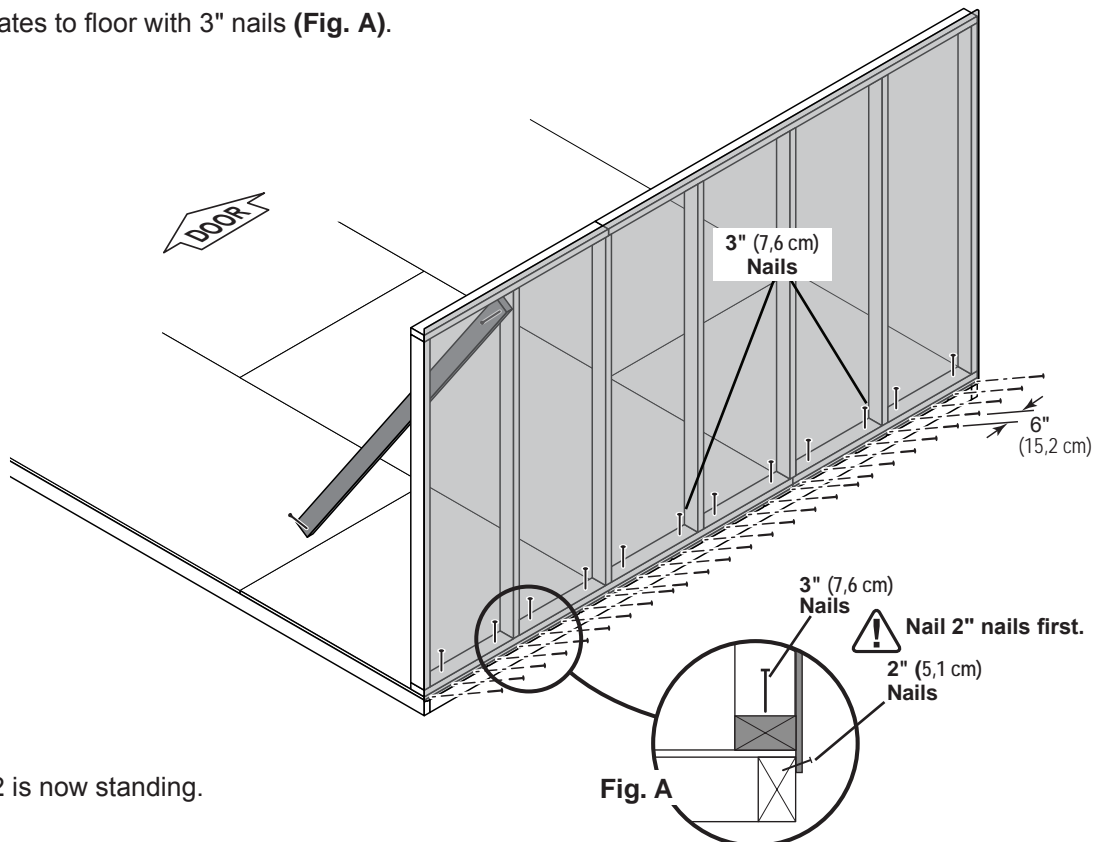
- Center 12' wall on the 120" (304,8 cm) floor dimension. 1-1/2" (3,8 cm) overlap is to the top.

Use **OO** as a temporary brace. Secure with (2) 3" screws.



- Secure lower edge of panel to floor frame with 2" nails spaced 6" apart. Angle nails into floor frame (**Fig. A**).

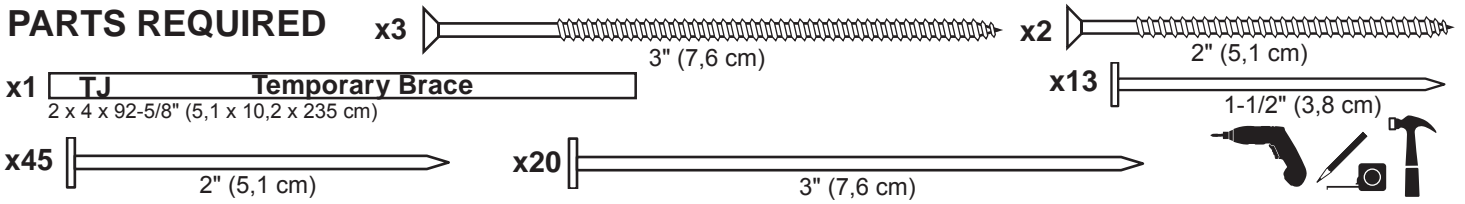
Secure wall bottom plates to floor with 3" nails (**Fig. A**).



Your 12' gable wall 02 is now standing.

1st 20' EAVE WALL 12 INSTALLATION

PARTS REQUIRED



✓ BEGIN 1

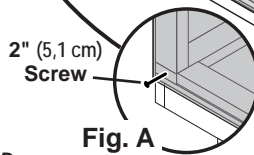
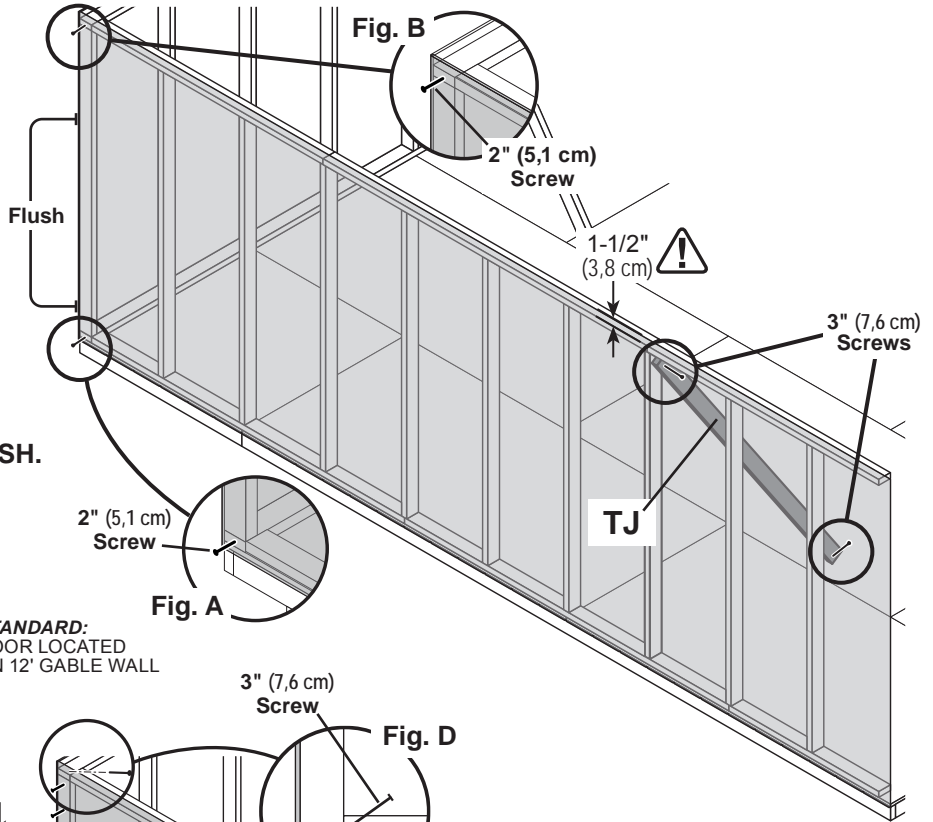
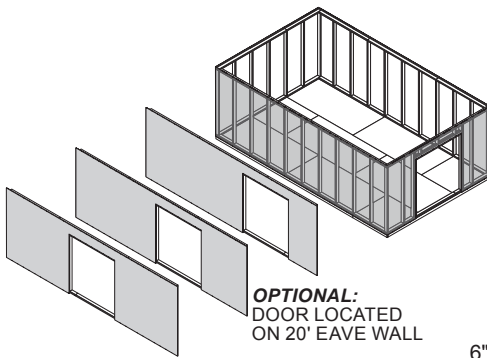


Place 1st 20' eave wall 12 centered on floor. The 1-1/2" (3,8 cm) overlap is to the top. Use **TJ** as a temporary brace as shown. Secure **TJ** with (2) 3" screws.

Secure wall with (1) 2" screw into 12' wall bottom plate (**Fig. A**) and top plate (**Fig. B**).

Secure wall to bottom plate first.

⚠ ENSURE PANEL CORNERS ARE FLUSH.



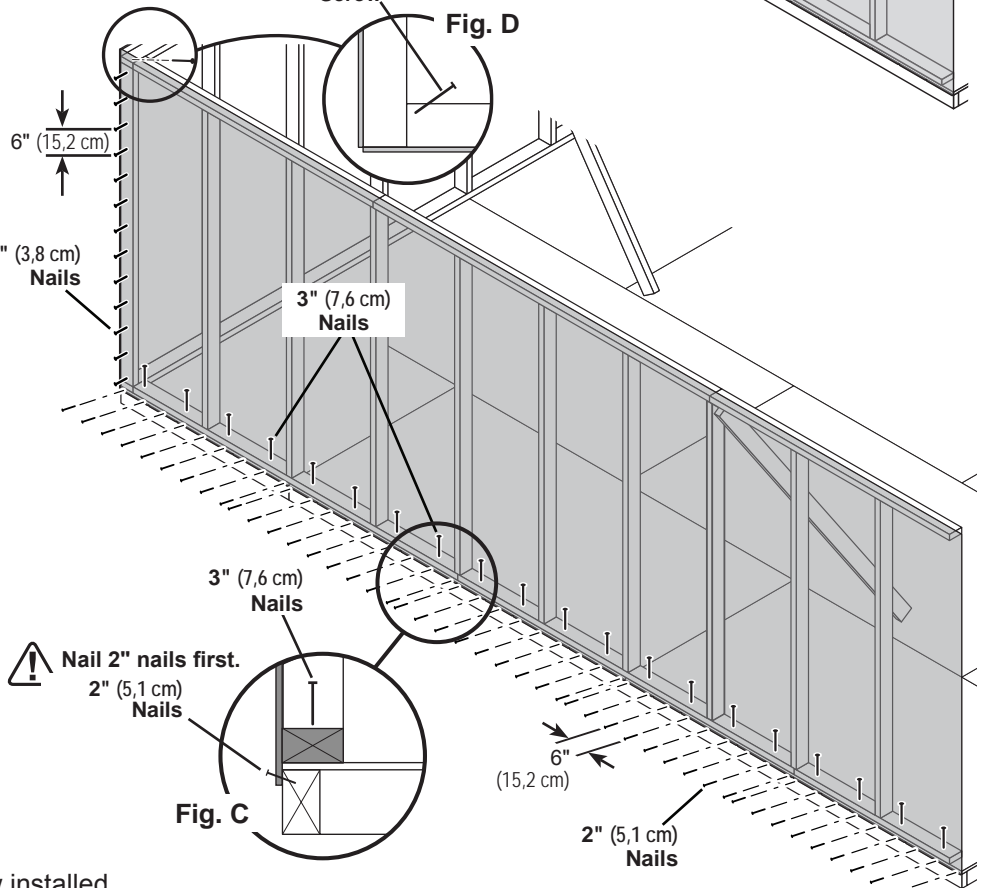
2

Nail lower edge of panels to floor with 2" nails spaced 6" apart. Angle nails into floor frame (**Fig. C**).

Secure panel to 12' wall stud with 1-1/2" nails spaced 6" apart.

3

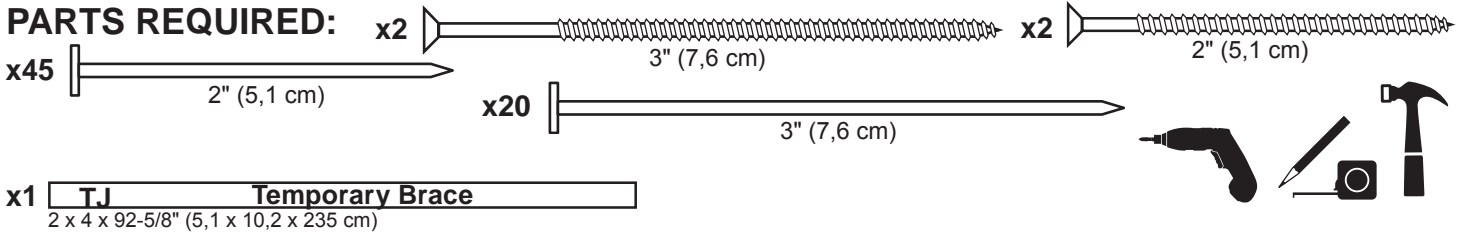
Secure wall top plate with (1) 3" screw at the corner at an angle as shown (**Fig. D**).



Your 1st 20' eave wall 12 is now installed.

2nd 20' EAVE WALL 12 INSTALLATION

PARTS REQUIRED:



✓ BEGIN
1



Place 2nd 20' wall 12 centered on floor.
1-1/2" (3,8 cm) overlap is to the top.

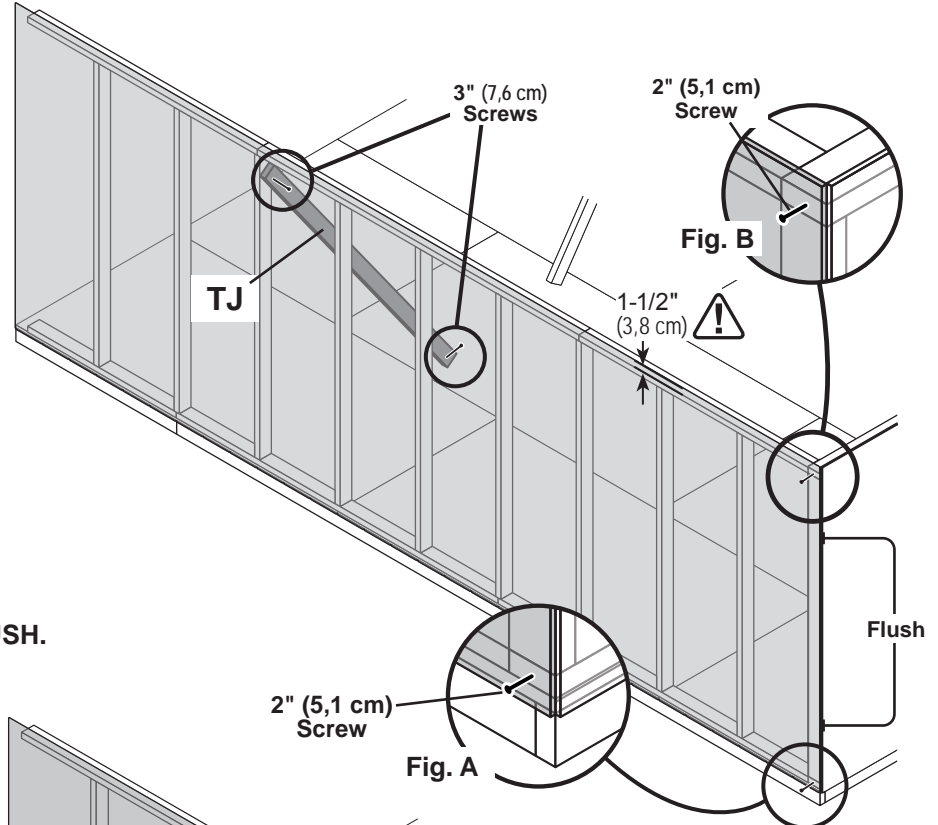
Use **TJ** as a temporary brace as shown.
Secure **TJ** with (2) 3" screws.

2

Secure wall with (1) 2" screw through gable wall panel into 12' wall bottom and top plates (**Fig. A, Fig. B**).

Secure wall to bottom plate first.

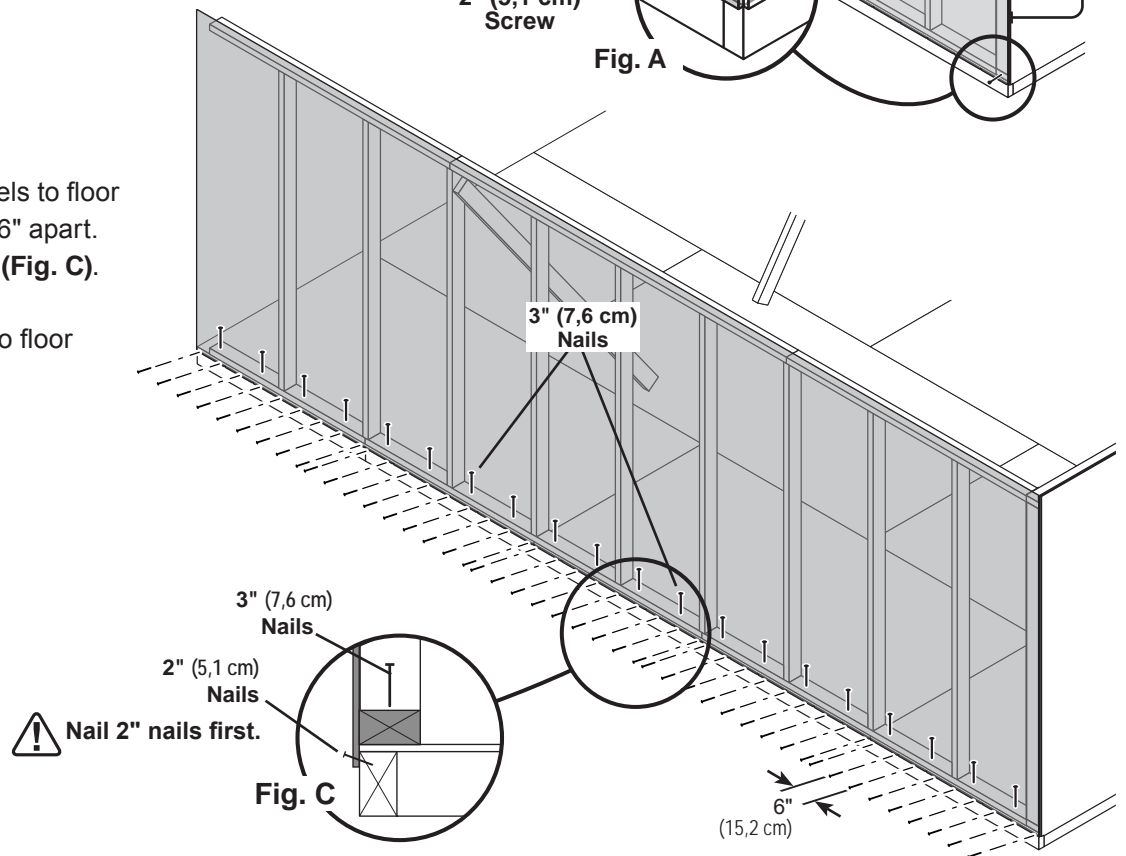
⚠ ENSURE PANEL CORNERS ARE FLUSH.



3

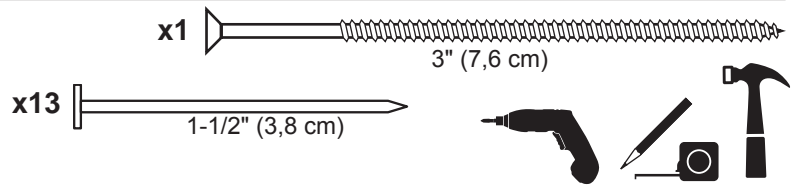
Nail lower edge of wall panels to floor frame with 2" nails spaced 6" apart.
Angle nails into floor frame (**Fig. C**).

Secure wall bottom plates to floor with 3" nails (**Fig. C**).



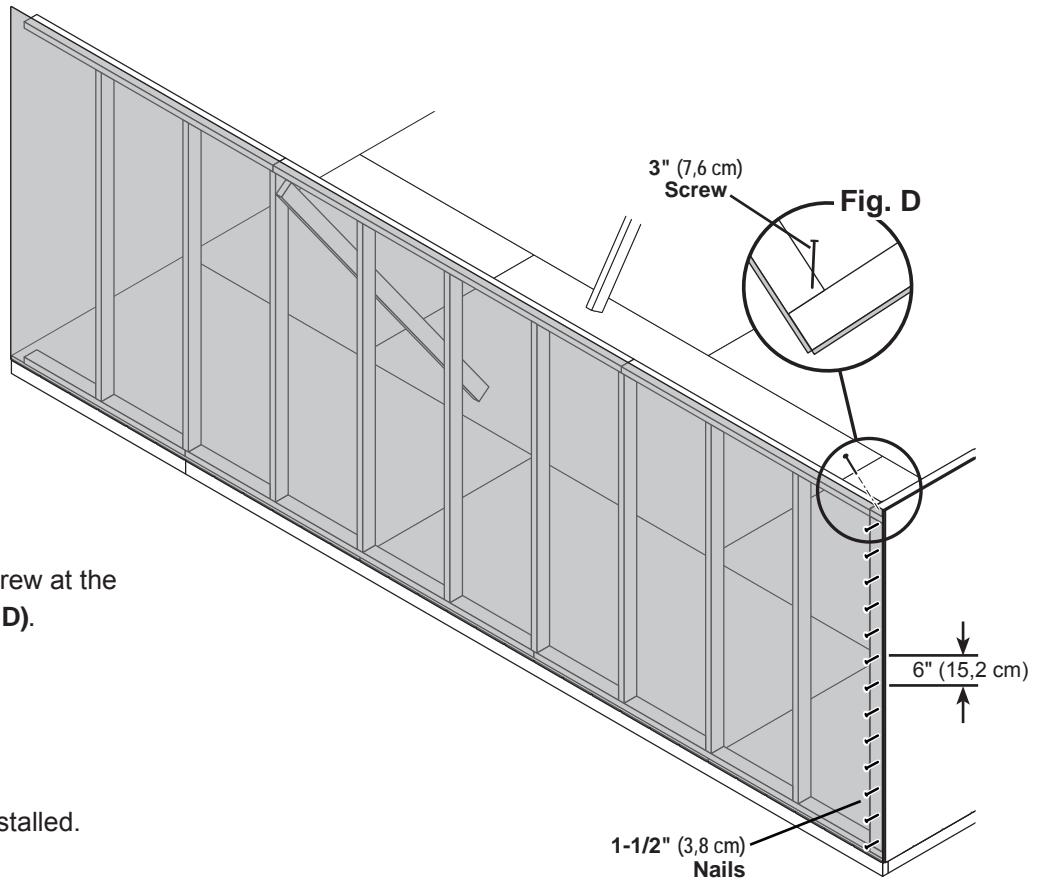
2nd 20' EAVE WALL 12 INSTALLATION

PARTS REQUIRED:



4

Secure 20' wall panel to 12' wall stud with 1-1/2" nails spaced 6" apart.



5

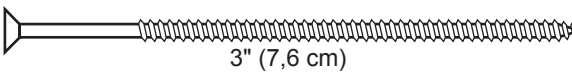
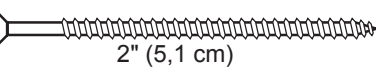
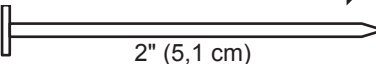
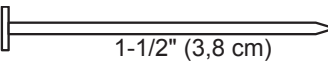
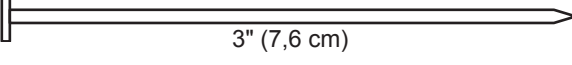
Secure wall top plate with (1) 3" screw at the corner at an angle as shown (Fig. D).

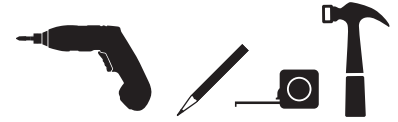


Your 2nd 20' wall 12 is now installed.

12' GABLE WALL WITH DOOR INSTALLATION

PARTS REQUIRED

- x2  3" (7,6 cm) x4  2" (5,1 cm)
- x16  2" (5,1 cm)
- x26  1-1/2" (3,8 cm) x8  3" (7,6 cm)



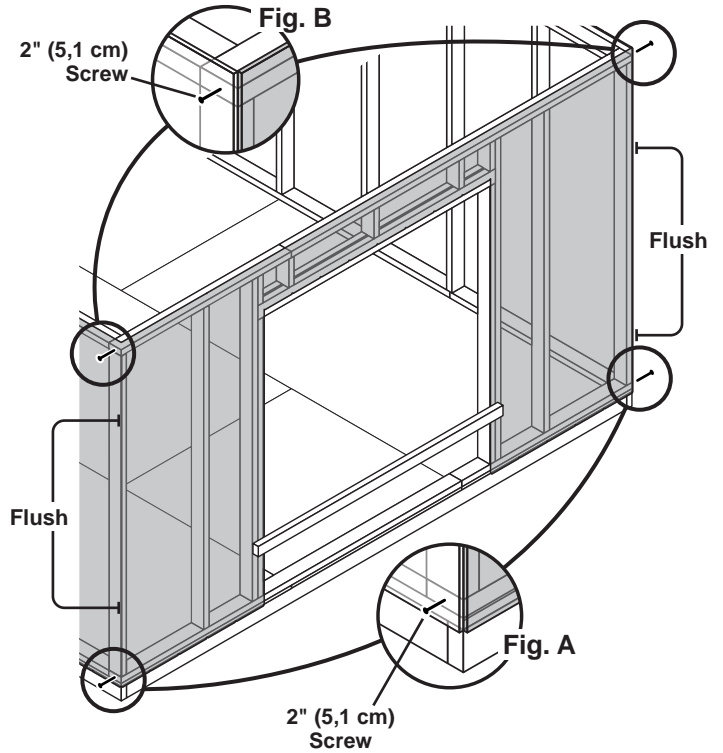
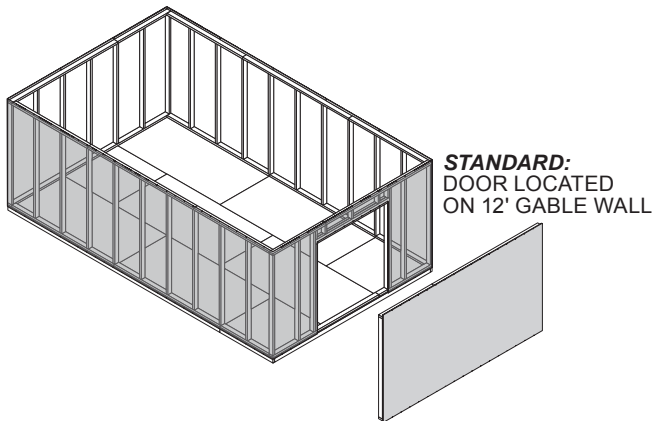
✓ BEGIN

1 Place 12' gable wall on floor, centered between installed walls.

Secure wall with 2" screws into top and bottom plates (Fig. A, Fig. B).

Secure wall to bottom plate first.

⚠ ENSURE PANEL CORNERS ARE FLUSH. ⚠



2 Nail lower edge of panels to floor with 2" nails spaced 6" apart. Angle nails into floor frame (Fig. C).

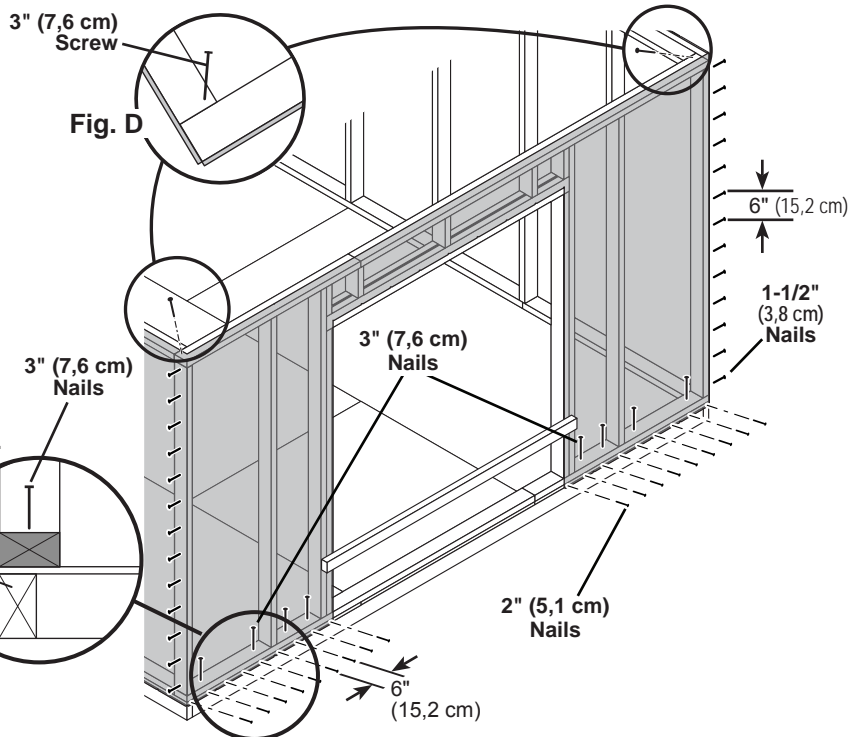
Nail panels to 24' wall studs with 1-1/2" nails spaced 6" apart.

3 Secure wall top plates with 3" screws at each corner at an angle (Fig. D).

⚠ Nail 2" nails first.

2" (5,1 cm) Nails

Fig. C



FINISH

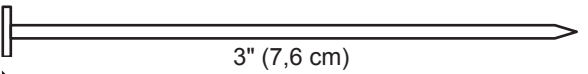
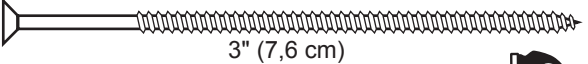
Your walls are now installed.

**CUT OUT AND REMOVE BOTTOM PLATE AT DOOR OPENING.
REMOVE TEMPORARY BRACING.**

12' x 20' WALL DOUBLERS INSTALLATION

PARTS REQUIRED:

- x2 **SP**
2 x 4 x 48" (5,1 x 10,2 x 121,9 cm)
- x2 **HVC**
2 x 4 x 44-3/8" (5,1 x 10,2 x 112,7 cm)
- x2 **TJ**
2 x 4 x 92-5/8" (5,1 x 10,2 x 235 cm)
- x4 **PT**
2 x 4 x 96" (5,1 x 10,2 x 243,8 cm)

- x84  3" (7,6 cm)
- x8  3" (7,6 cm)



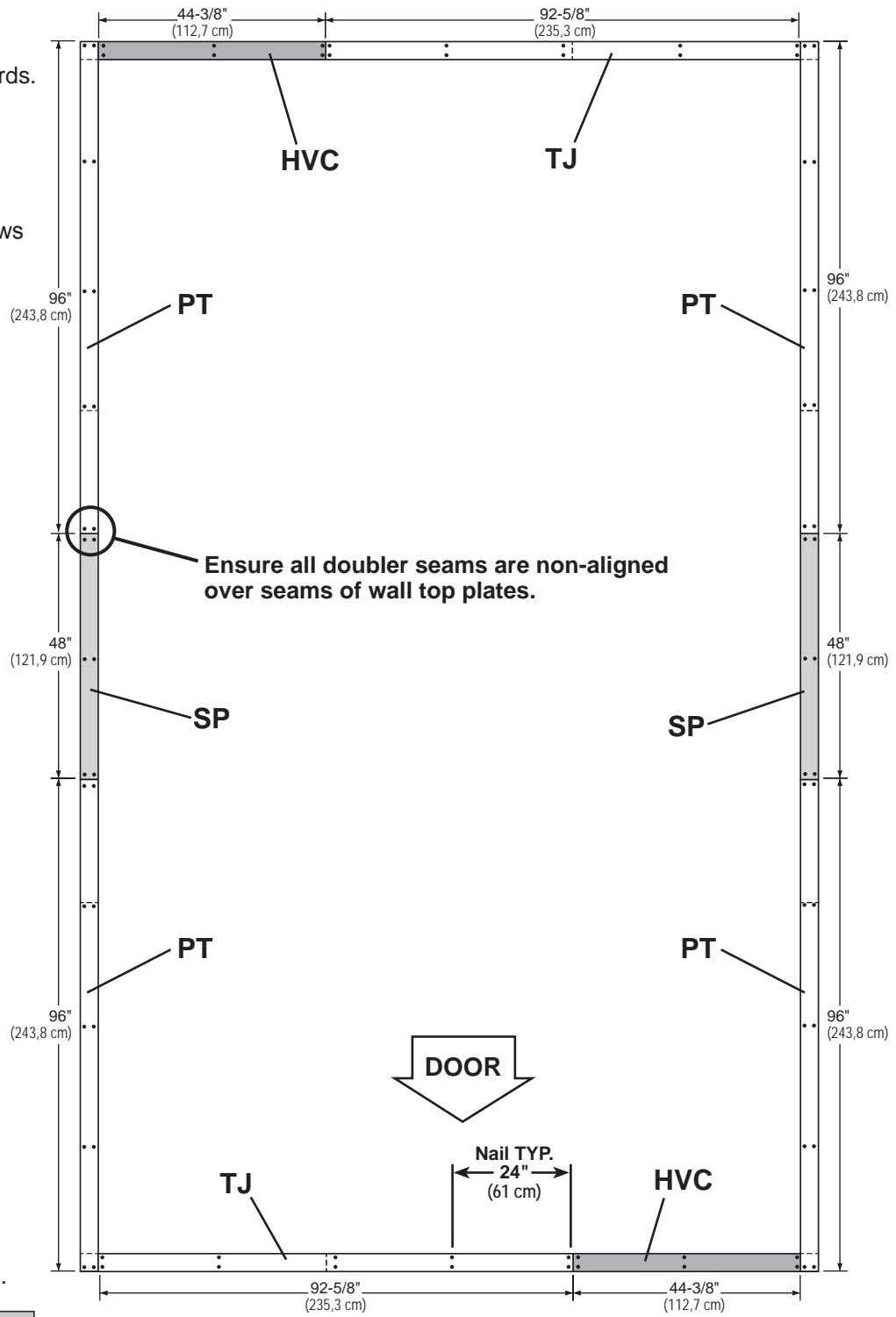
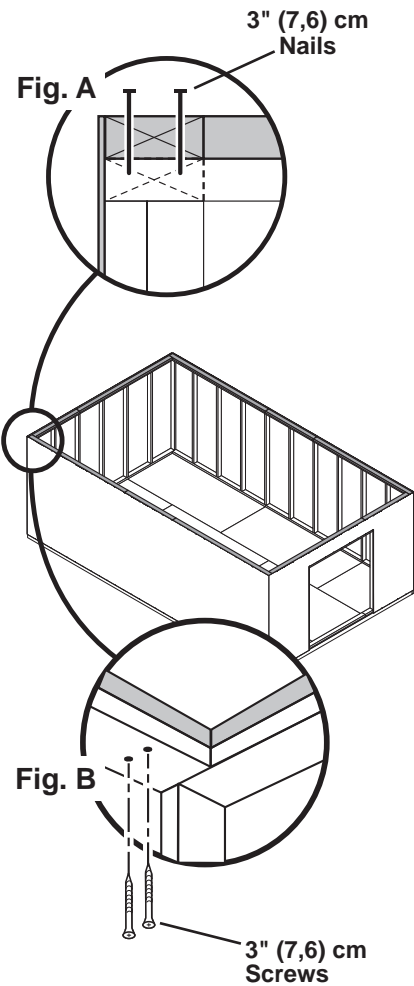
BEGIN

1

Orient parts on top of wall frames. Measure and mark from end of boards. Secure from top with (2) 3" nails spaced every 24" (Fig. A).

2

Secure from bottom with (2) 3" screws at each corner (Fig. B).



Your wall doublers are now installed.

CONTINUE TO PAGE 79 TO RESUME CONSTRUCTION OF 12' X 20' SHED.

12' GABLE WALL 02 INSTALLATION

PARTS REQUIRED:

x1 **OO**
69" (175,3 cm) Door Stiffener

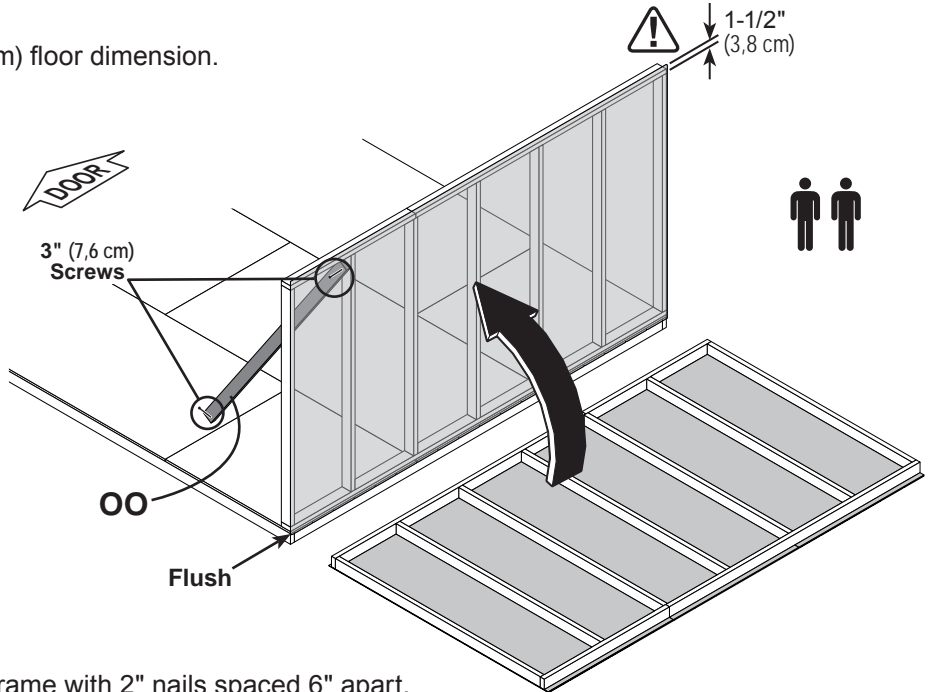


x12 3" (7,6 cm)
x2 3" (7,6 cm)
x27 2" (5,1 cm)

✓ BEGIN

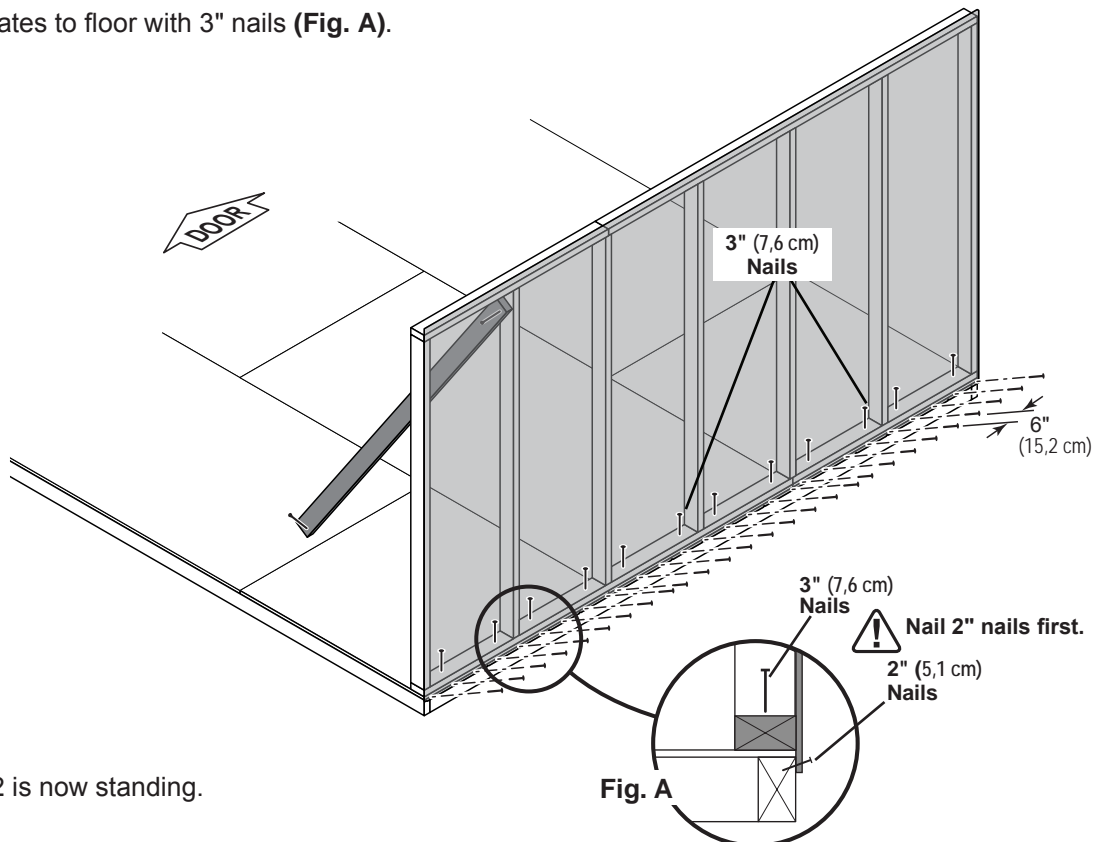
- Center 12' wall on the 120" (304,8 cm) floor dimension. 1-1/2" (3,8 cm) overlap is to the top.

Use **OO** as a temporary brace. Secure with (2) 3" screws.



- Secure lower edge of panel to floor frame with 2" nails spaced 6" apart. Angle nails into floor frame (**Fig. A**).

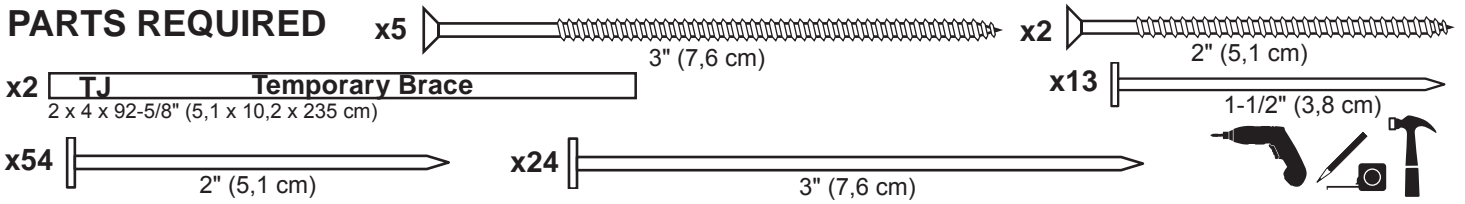
Secure wall bottom plates to floor with 3" nails (**Fig. A**).



Your 12' gable wall 02 is now standing.

1st 24' EAVE WALL 16 INSTALLATION

PARTS REQUIRED



✓ BEGIN 1

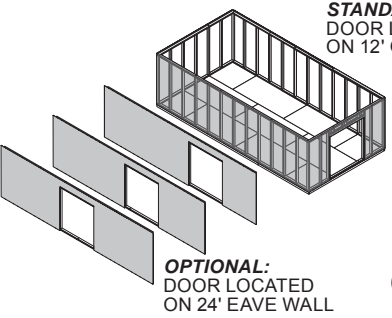
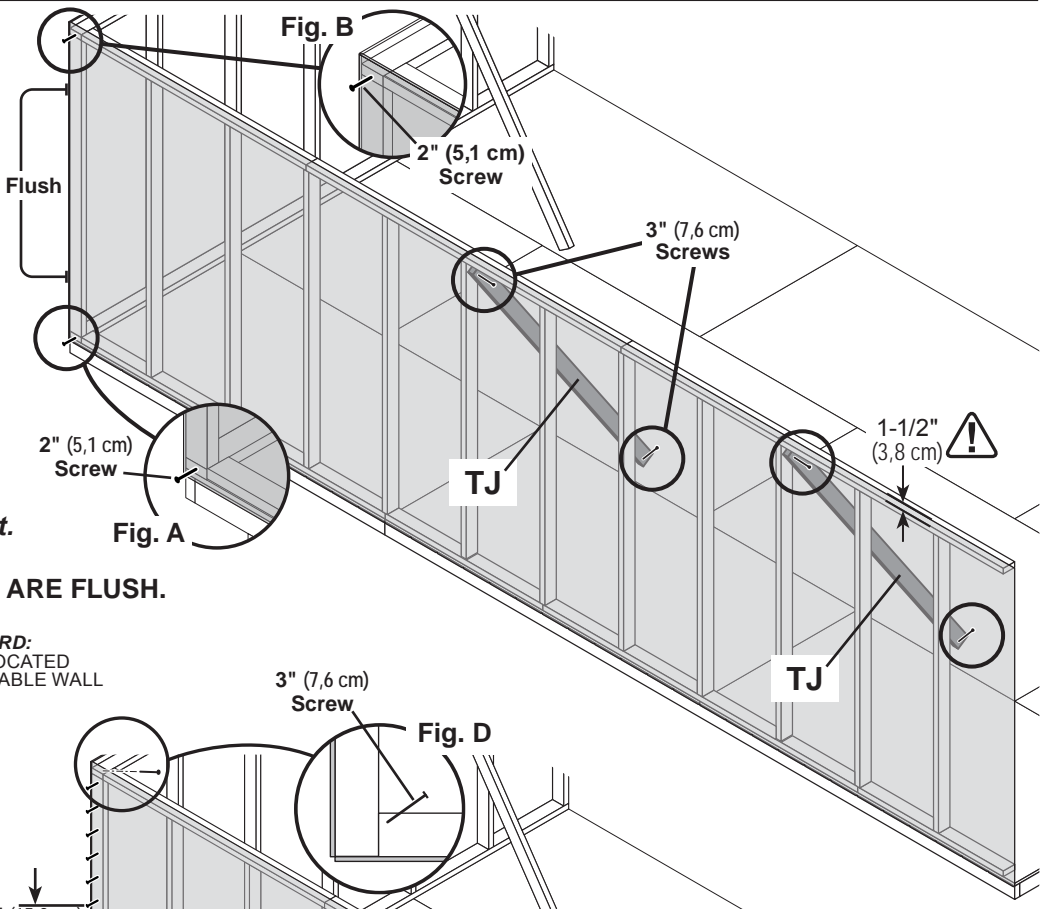


Place 1st 24' eave wall 16 centered on floor. The 1-1/2" (3,8 cm) overlap is to the top. Use (2) TJ as a temporary brace, as shown. Secure TJ with (2) 3" screws.

Secure wall with (1) 2" screw into 12' wall bottom plate (Fig. A) and top plate (Fig. B).

Secure wall to bottom plate first.

⚠ ENSURE PANEL CORNERS ARE FLUSH.



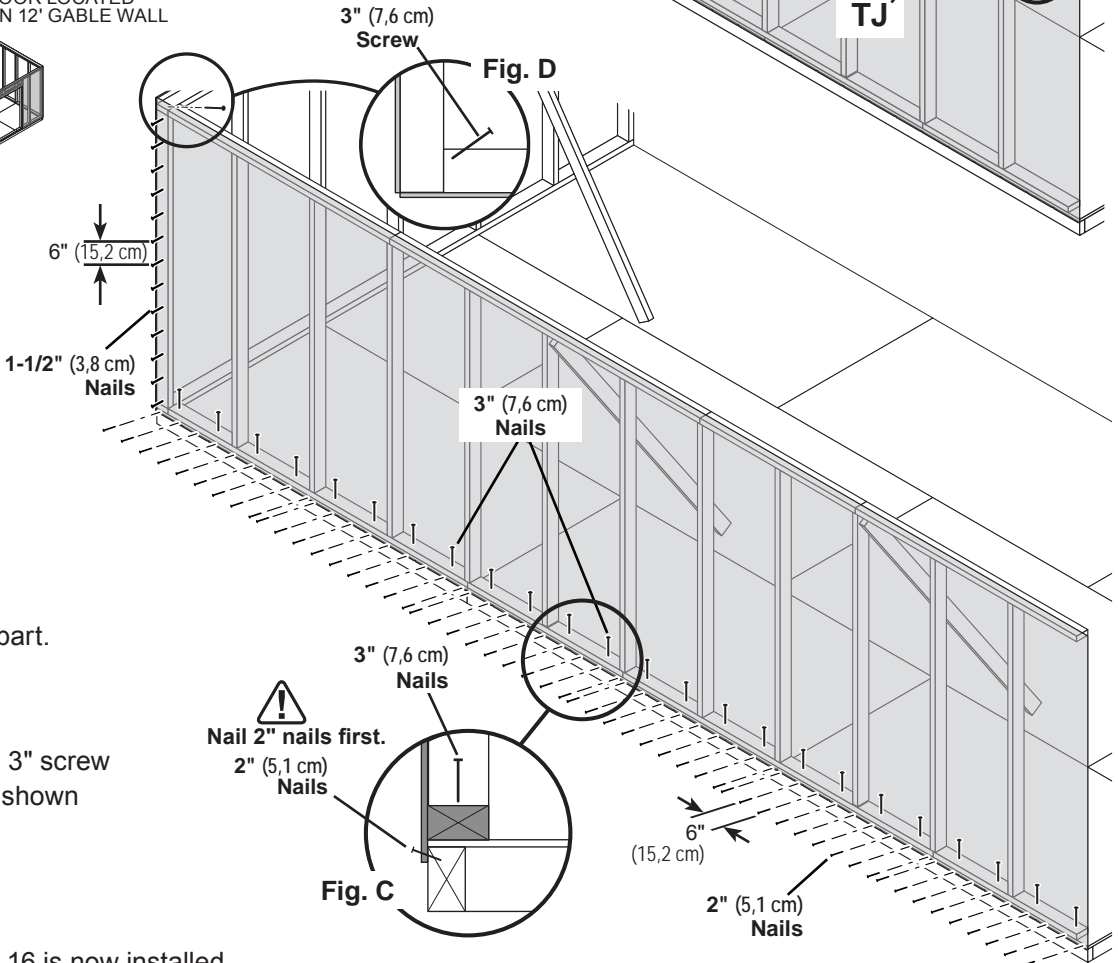
2

Nail lower edge of panels to floor with 2" nails spaced 6" apart. Angle nails into floor frame (Fig. C).

Secure panel to 12' wall stud with 1-1/2" nails spaced 6" apart.

3

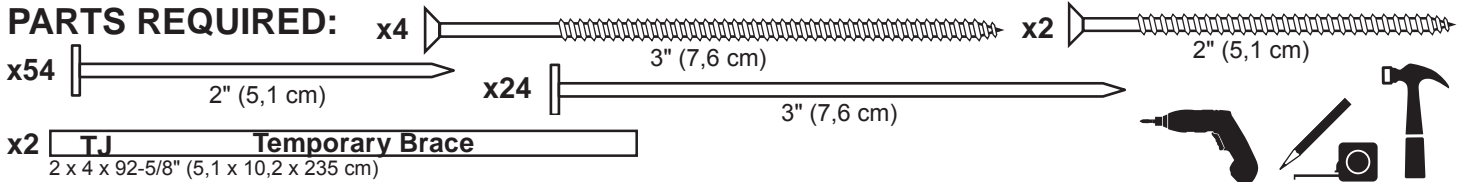
Secure wall top plate with (1) 3" screw at the corner at an angle, as shown (Fig. D).



Your 1st 24' eave wall 16 is now installed.

2nd 24' EAVE WALL 16 INSTALLATION

PARTS REQUIRED:



✓ **BEGIN**

1

Place 2nd 24' wall 16 centered on floor. The 1-1/2" (3,8 cm) overlap is to the top.

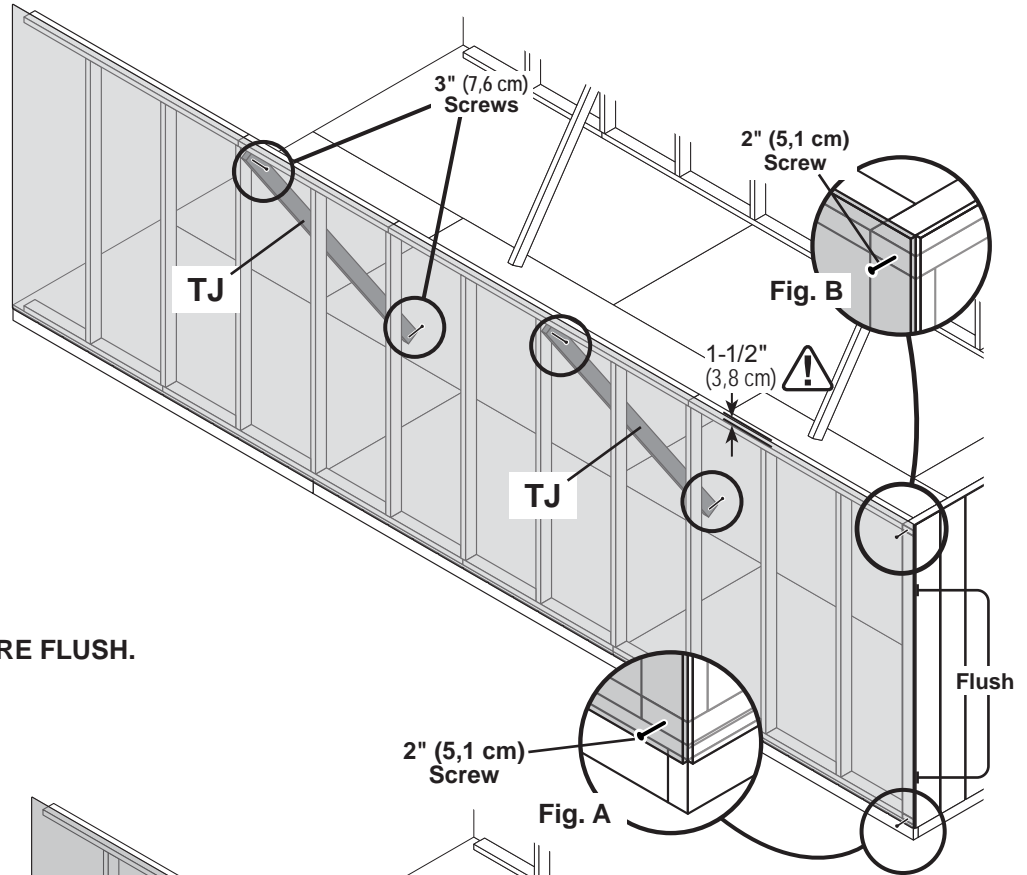
Use **TJ** as a temporary brace as shown. Secure **TJ** with (2) 3" screws.

2

Secure wall with (1) 2" screw through gable wall panel into 12' wall bottom and top plates (**Fig. A**, **Fig. B**).

Secure wall to bottom plate first.

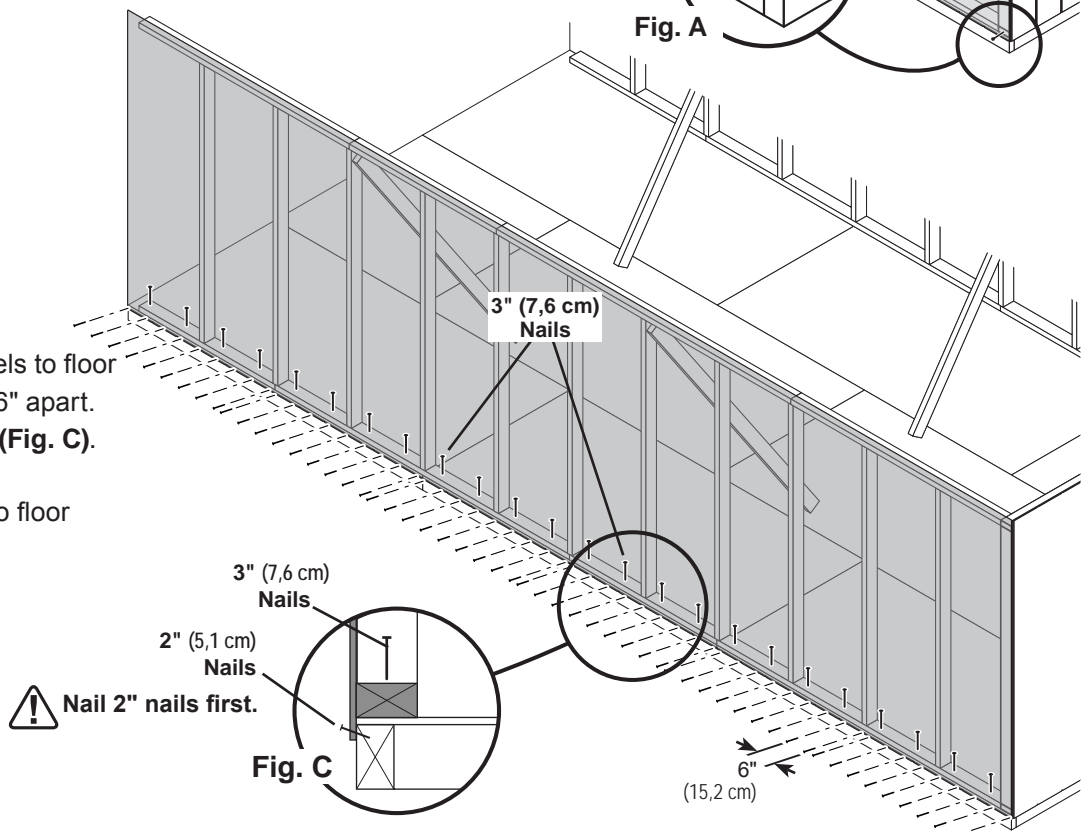
⚠ **ENSURE PANEL CORNERS ARE FLUSH.**



3

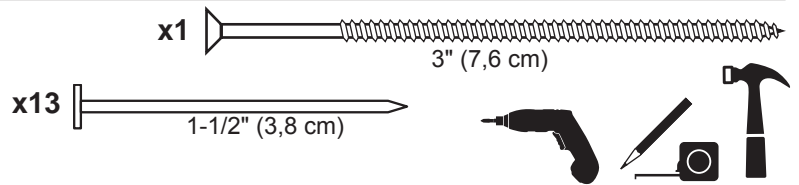
Nail lower edge of wall panels to floor frame with 2" nails spaced 6" apart. Angle nails into floor frame (**Fig. C**).

Secure wall bottom plates to floor with 3" nails (**Fig. C**).



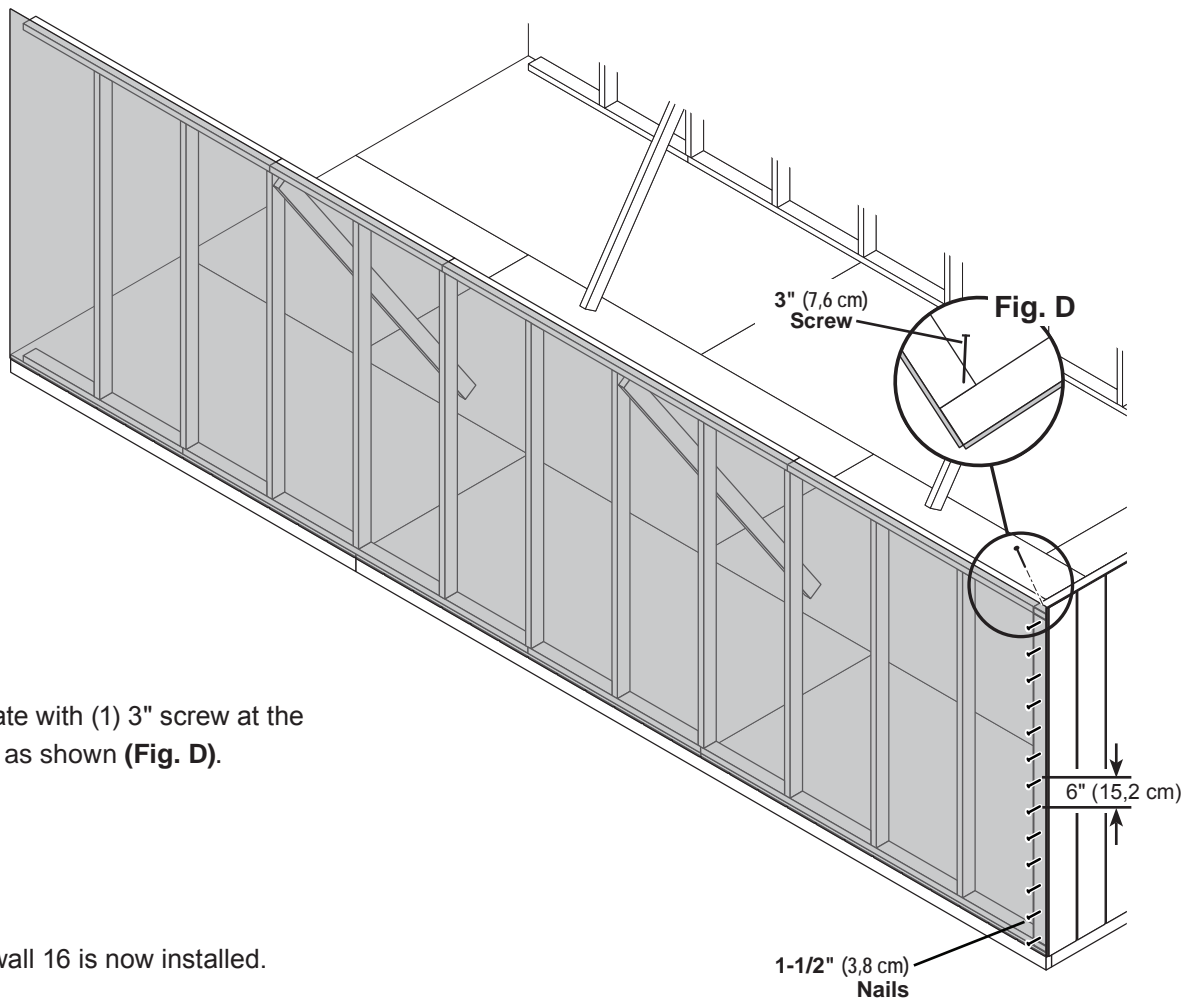
2nd 24' EAVE WALL 16 INSTALLATION

PARTS REQUIRED:



4

Secure 24' wall panel to 12' wall stud with 1-1/2" nails spaced 6" apart.



5

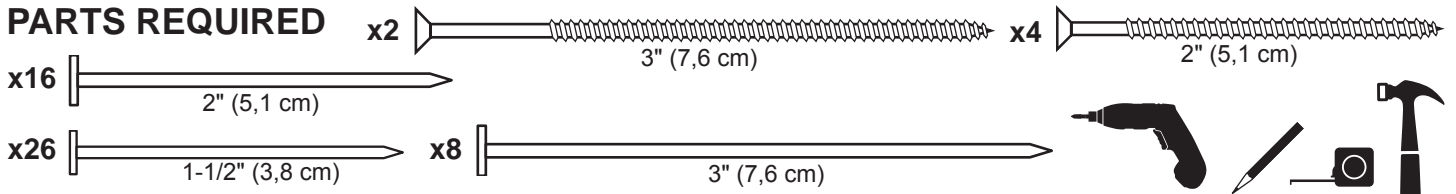
Secure wall top plate with (1) 3" screw at the corner at an angle as shown (**Fig. D**).



Your 2nd 24' wall 16 is now installed.

12' GABLE WALL 01 WITH DOOR INSTALLATION

PARTS REQUIRED



✓ BEGIN

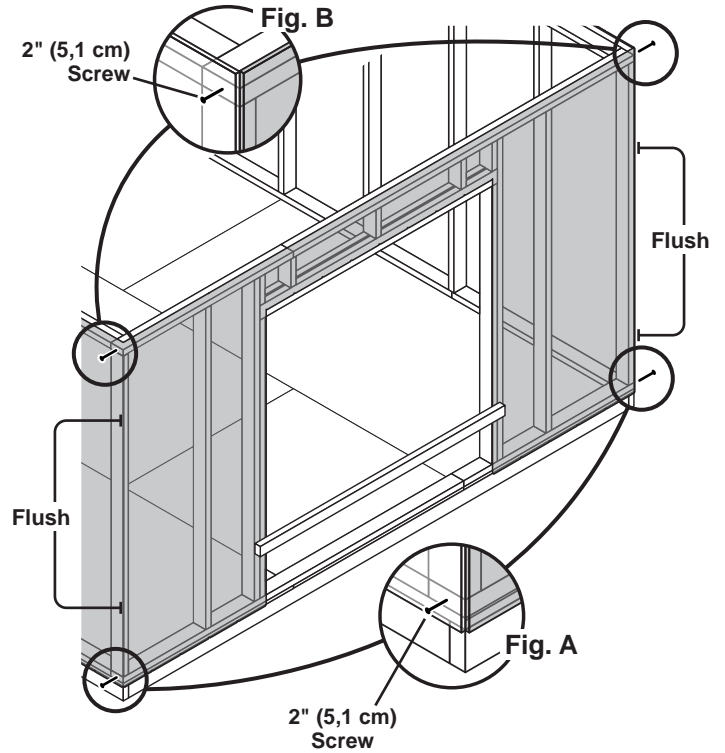
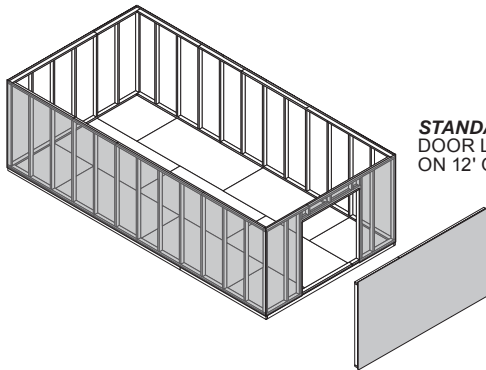


1 Place 12' gable wall on floor, centered between installed walls.

Secure wall with 2" screws into top and bottom plates (Fig. A, Fig. B).

Secure wall to bottom plate first.

⚠ ENSURE PANEL CORNERS ARE FLUSH. ⚠

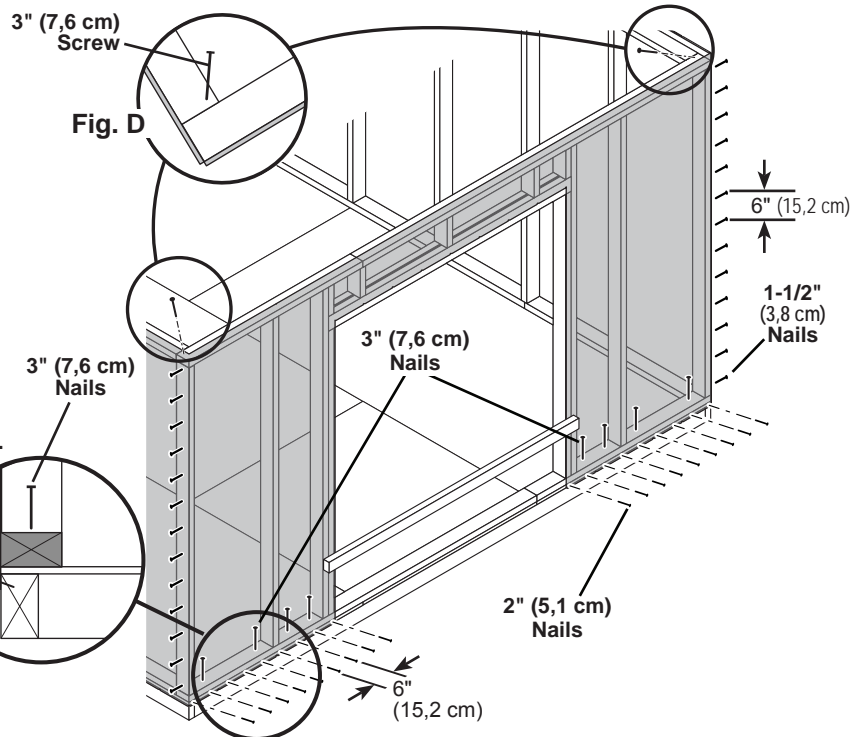
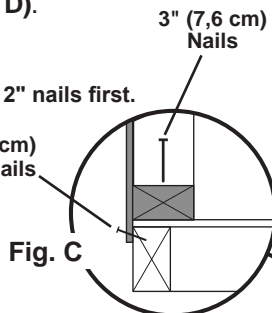


2 Nail lower edge of panels to floor with 2" nails spaced 6" apart. Angle nails into floor frame (Fig. C).

Nail panels to 24' wall studs with 1-1/2" nails spaced 6" apart.

3 Secure wall top plates with 3" screws at each corner at an angle (Fig. D).

⚠ Nail 2" nails first.
2" (5.1 cm) Nails



FINISH
Your walls are now installed.

**CUT OUT AND REMOVE BOTTOM PLATE AT DOOR OPENING.
REMOVE TEMPORARY BRACING.**

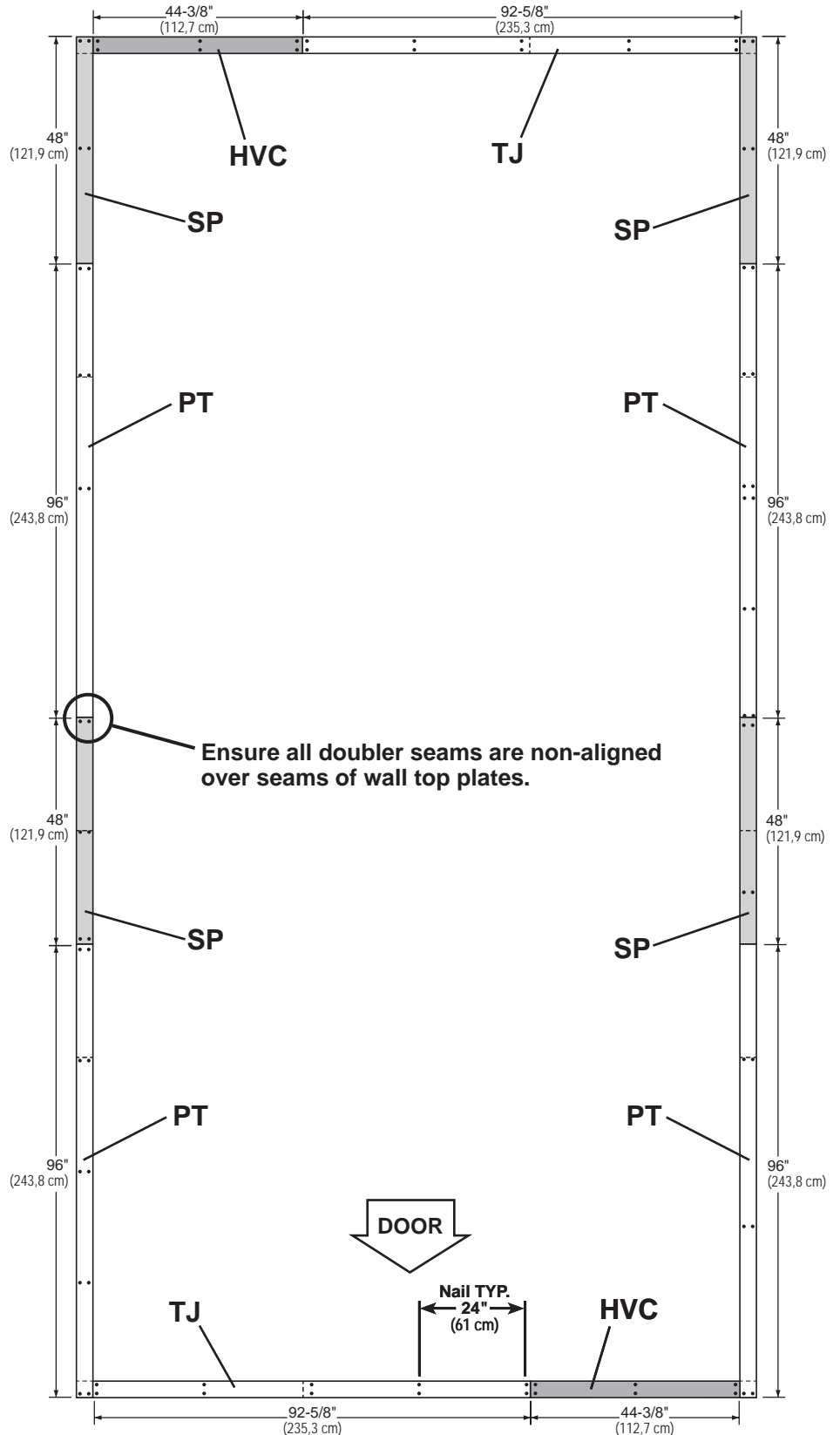
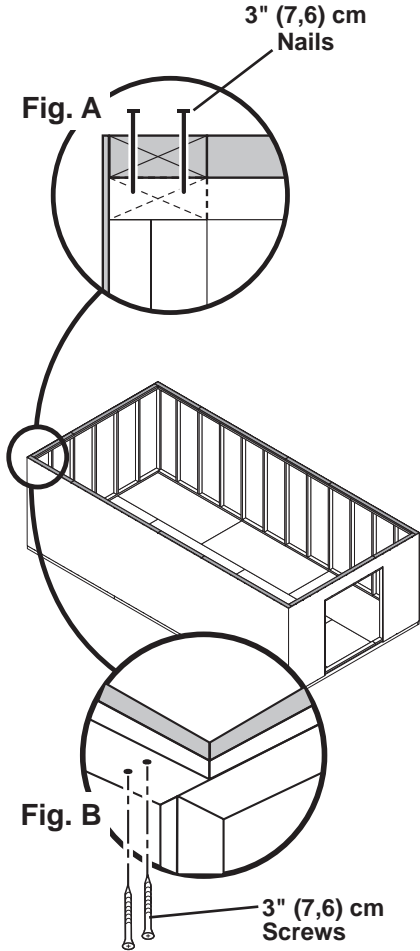
12' x 24' WALL DOUBLERS INSTALLATION

- PARTS REQUIRED:** x2 **HVC** 2 x 4 x 44-3/8" (5,1 x 10,2 x 112,7 cm) x84 3" (7,6 cm) nails
 x4 **SP** 2 x 4 x 48" (5,1 x 10,2 x 121,9 cm) x8 3" (7,6 cm) screws
 x2 **TJ** 2 x 4 x 92-5/8" (5,1 x 10,2 x 235,3 cm) x4 **PT** 2 x 4 x 96" (5,1 x 10,2 x 243,8 cm)

BEGIN

1
 Orient parts on top of wall frames.
 Measure and mark from end of boards.
 Secure from top with (2) 3" nails spaced every 24" (**Fig. A**).

3
 Secure from bottom with (2) 3" screws at each corner (**Fig. B**).



Your wall doublers are now installed.

CONTINUE TO NEXT PAGE TO RESUME CONSTRUCTION OF 12' X 24' SHED.

Please continue to the included booklet

PART 2

to complete your shed.