

16770-BNG



STOP

DO NOT RETURN TO THE STORE!

If you discover missing or damaged parts, or if you have questions about the building process, please reach out to us directly for the fastest service.

24/7 Support

help.backyardproducts.com



- Answers to frequently asked questions
- Technical assistance and how-to videos
- Submit a help request
- Request replacement parts

Business Hours

(734) 242-6900

Monday - Friday 8:00am - 6:00pm EST
Saturday - Sunday Closed



Did you enjoy building your shed?

JOIN OUR TEAM

AND MAKE UP TO \$1,500/WEEK*

Call a Recruiter Today! 734-365-7000



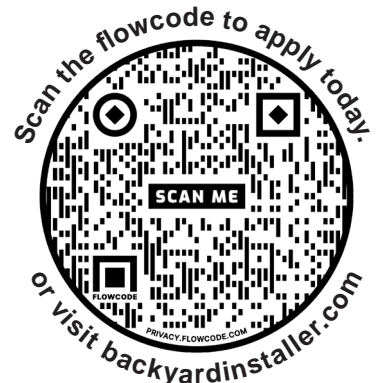
Flexible schedule



No selling,
just building



Bonus incentives
available



*based on number of completed installations



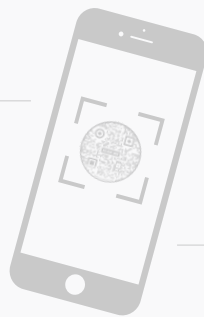
Win \$500

A new winner is selected every 2 months.

Review your product for the chance to win a **\$500 Visa Gift Card**.



How to Enter:



Open camera.
Aim. Tap.



1

Scan
QR code above.

2

Click
'write a review'

3

Find your product.
Tell us what you think.

4

Submit your review.
You'll be notified by e-mail if
you've won the \$500 gift card.

Write a Backyard Products, LLC. product review at backyardreviews.net for a chance to win a \$500 Visa gift card. No purchase necessary to enter. Must be legal U.S. resident (including DC & Puerto Rico), 18 or older to participate. Taxes on prize are responsibility of winner. Odds of winning depend on the number of eligible reviews received. Void where prohibited. For complete details and official rules, visit <https://backyardreviews.net/sweepstakes-rules>.

GABLE

10' x 8' (305 x 244)

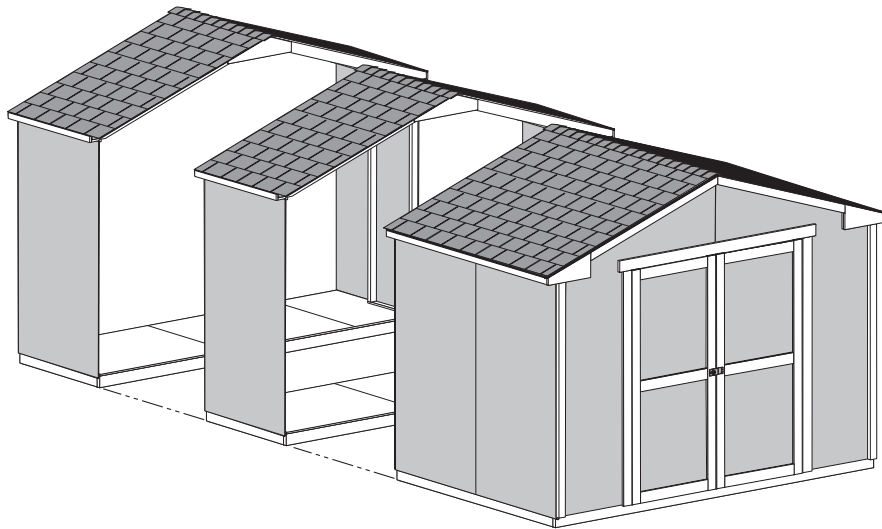
ASSEMBLY MANUAL

16770-BNG

08/24/2025

	BUILDING SIZE	ACTUAL FLOOR SIZE
BASE MODEL	10' x 8' (305 x 244 cm)	10' x 7' 8-5/8" (305 x 235,3 cm)
ADD ONE 10' x 4'	10' x 12' (305 x 365,8 cm)	10' x 11' 8-5/8" (305 x 357,2 cm)
ADD TWO 10' x 4'	10' x 16' (305 x 487,7 cm)	10' x 15' 8-5/8" (305 x 479 cm)

KEEP THIS MANUAL FOR FUTURE REFERENCE



⚠ IMPORTANT! ⚠

READ INSTRUCTIONS THOROUGHLY PRIOR TO BEGINNING ASSEMBLY.

BEFORE YOU BEGIN

• **BUILDING RESTRICTIONS AND APPROVALS**

Be sure to check local building department and homeowners association for specific restrictions and/ or requirements before building.

• **ENGINEERED DRAWINGS**

Contact our Customer Service Team if engineered drawings are needed to pull local permits.

• **SURFACE PREPARATION**

To ensure proper assembly you must build your shed on a level surface.

Recommended methods and materials to level your shed are listed on page 9.

• **CHECK ALL PARTS**

Inventory all parts listed on pages 3-5.

• **ADDITIONAL MATERIALS**

You will need additional materials to complete your shed. See pages 6 for required and optional materials and quantities.



*****CONTACT OUR CUSTOMER SERVICE TEAM
IF ANY PARTS ARE MISSING OR DAMAGED*****




Call: 1-734-242-6900 email: customerservice@backyardproducts.com

TOOLS

Required


Phillips Screwdriver 

Drill / Driver 
3/8" Drill Bit
#2 Phillips Drive Bit

Hammer 

Level 


Pencil 

Tape Measure 

Square  or 

Utility Knife 
Shingle Blades 


Caulk Gun 

Paint Tools 

Safety Glasses 


Ladder 

Optional

Tool Belt/
Nail Pouch 

Tin Snips
(for drip edge) 

Chalk Line 

Nail Gun
• gun nails 

Gloves 

Safety! Always use approved safety glasses during assembly.

HELPFUL REMINDER SYMBOLS

Look for these symbols for helpful reminders throughout this manual.



= Assistance Required; (2) or more people.



= Ensure squareness.



= Important required step or operation.



= Helpful assembly hint.



= Mark part with pencil.



BEGIN = Beginning of steps for assembly or installation.



FINISH = You have finished the assembly or installation.

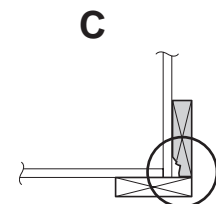
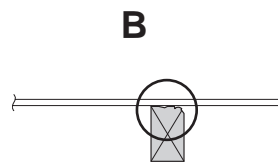
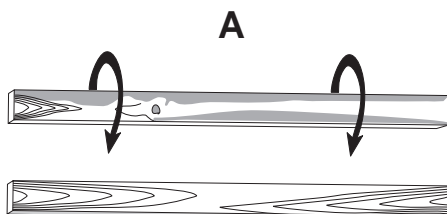


= Level

ORIENT LUMBER AND TRIM FOR BEST APPEARANCE

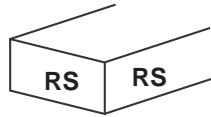
Framing lumber is graded for structural strength and not appearance. Exterior trim is graded for (1) good side.

Always install the material leaving the best edge and best surface visible. Please remember that these blemishes in no way negatively affect the strength or integrity of our product. (See Fig. A, B, C.)



PARTS IDENTIFICATION AND SIZES

Part identification is stamped on some parts.



• Check these locations for part stamp.

Treated lumber is stamped:

TREATED

WOOD SIZE CONVERSION CHART	
Nominal Board Size	Actual Size
2 x 41-1/2" x 3-1/2" (3,8 x 8,9 cm)
1 x 43/4" x 3-1/2" (1,9 x 8,9 cm)
2 x 31-1/2" x 2-1/2" (3,8 x 6,3 cm)
1 x 33/4" x 2-1/2" (3,8 x 6,3 cm)


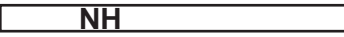
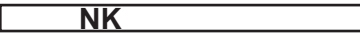
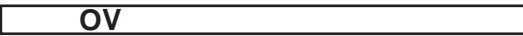






10x8' 10x12' 10x16'





PARTS LIST

INVENTORY YOUR PARTS before you begin.
We suggest sorting parts by the category they are listed in.



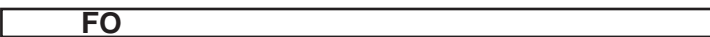





WALL

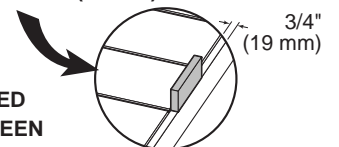
- x1 x1 x1  2 x 3 x 22-1/8" (5 x 7,6 x 56 cm)
- x2 x2 x2  2 x 3 x 46-1/4" (5 x 7,6 x 117,5 cm)
- x2 x4  2 x 3 x 48" (5 x 7,6 x 122 cm)
- x6 x10 x14  2 x 3 x 69" (5 x 7,6 x 175,3 cm)
- x4 x4 x4  2 x 3 x 72" (5 x 7,6 x 183 cm)
- x4 x4 x4  2 x 3 x 77" (5 x 7,6 x 196 cm)
- x2 x2 x2  2 x 3 x 92-5/8" (5 x 7,6 x 235,3 cm)
- x2 x2 x2  2 x 3 x 94-1/2" (5 x 7,6 x 240 cm)
- x4 x4 x4  7/16 x 2-1/2 x 24-3/4" (1,1 x 6,3 x 62,9 cm)
- x2 x4  7/16 x 2-1/2 x 48" (1,1 x 6,3 x 122 cm)

TRUSS



- x6 x10 x14  6 x 24" (15 x 61 cm)
- x6 x10 x14  2 x 4 x 65-7/8" (5 x 10 x 167 cm)

TRIM

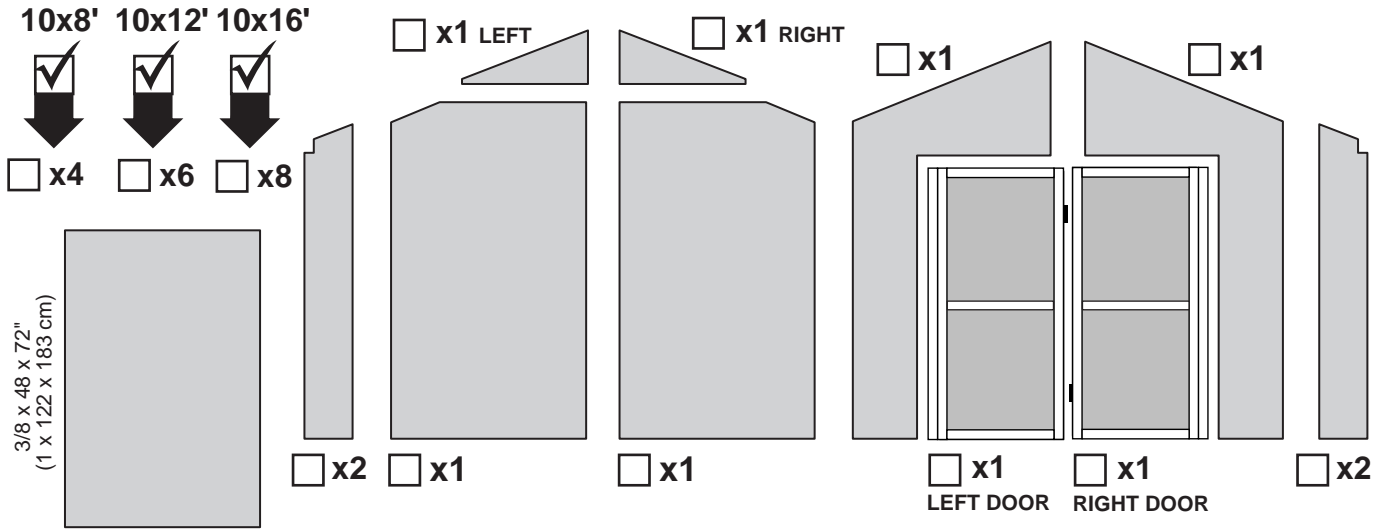
- x8 x8 x8  5/8 x 4 x 14" (1,6 x 10 x 35,6 cm)
- x4 x4 x4  2 x 3 x 58" (5 x 7,6 x 147,3 cm)
- x2 x2 x2  1 x 3 x 48" (2,5 x 7,6 x 122 cm)
- x2 x2 x2  1 x 3 x 94-3/4" (2,5 x 7,6 x 240,1 cm)
- x1 x1 x1  1 x 3 x 60-5/8" (1,7 x 6,3 x 154 cm)
- x1 x1 x1  1 x 3 x 5" (2,5 x 7,6 x 12,7 cm) **USED AS A GAUGE BLOCK FOR 3/4" (19 mm) MEASUREMENT**
- x4 x4 x4  1 x 3 x 7-1/2" (2,5 x 7,6 x 19 cm)
- x4 x4 x4  3/4 x 5-1/8 x 8-3/8" (1,9 x 13 x 21,3 cm) **RIGHT PAINTED RED LEFT PAINTED GREEN**



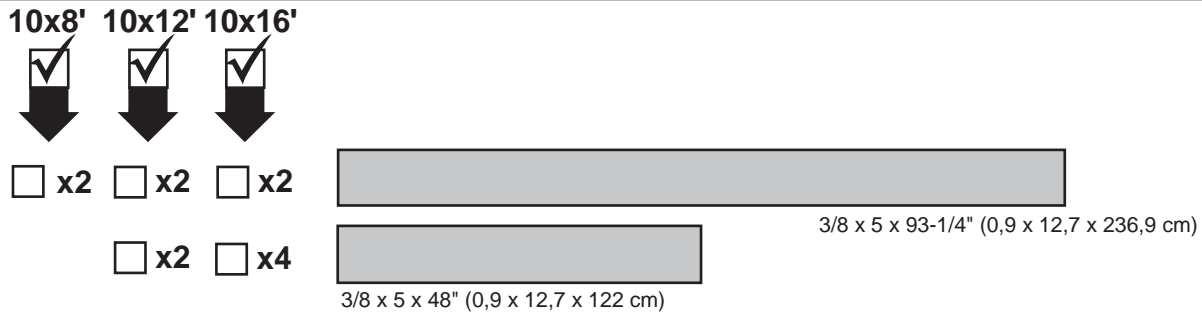
DOOR

- x2 x2 x2  1-1/4 x 2-1/2 x 69" (3,2 x 7,6 x 175,3 cm)
- x1 x1 x1  5/8 x 3 x 72" (1,6 x 7,6 x 183 cm)

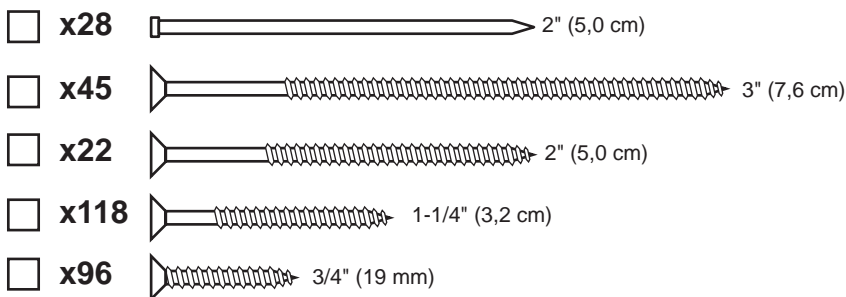
WALL PANEL & DOORS PARTS LIST



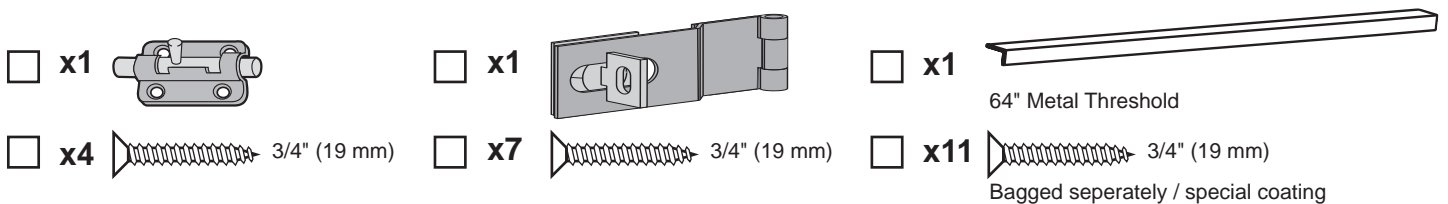
SOFFIT PANELS



FASTENER/HARDWARE BAG (Shown Actual Size)



DOOR HARDWARE (Not Actual Size)



ADDITIONAL MATERIALS

FOUNDATION OR FLOOR MATERIALS

- Your shed kit does not include a wood floor frame or floor panel materials.
- **See page 8 for the additional floor panel sizes and quantities required.**
- This shed does not include any leveling materials.
- **See the FLOOR LEVELING section on page 10 for recommended methods and suggested materials to properly level your floor, as this will vary depending on your specific site.**

COMPLETING YOUR SHED

You will need these additional materials

	10x8'	10x12'	10x16'		ALL SIZES
<input type="checkbox"/> 3-TAB SHINGLES (Bundles).....	4	6	8	<input type="checkbox"/> PAINT FOR TRIM	1 Quart
<input type="checkbox"/> PAINT FOR SIDING (Gallons)..... Use 100% acrylic latex exterior paint. (2) coats recommended.	1-1/2	2	2-1/2	<input type="checkbox"/> CAULK.....	2 Tubes
<input type="checkbox"/> 1" GALVANIZED ROOFING NAILS (lbs). For shingles.	2	3	4	<input type="checkbox"/> 1" GALVANIZED ROOFING NAILS (lbs). For roofing felt.	

Use 100% acrylic latex exterior paint.

Use acrylic latex exterior caulk that is paintable.

FRAMING NAILS

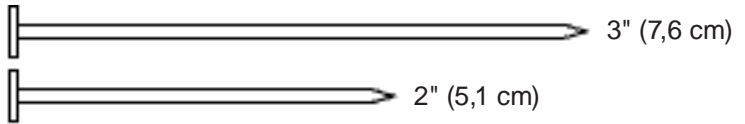
Boxed Nails - Or - Nail Gun Strip/Coil Nails

x1 lbs.

x75

x3 lbs.

x625



TO VALIDATE YOUR WARRANTY YOU MUST USE THE FOLLOWING:

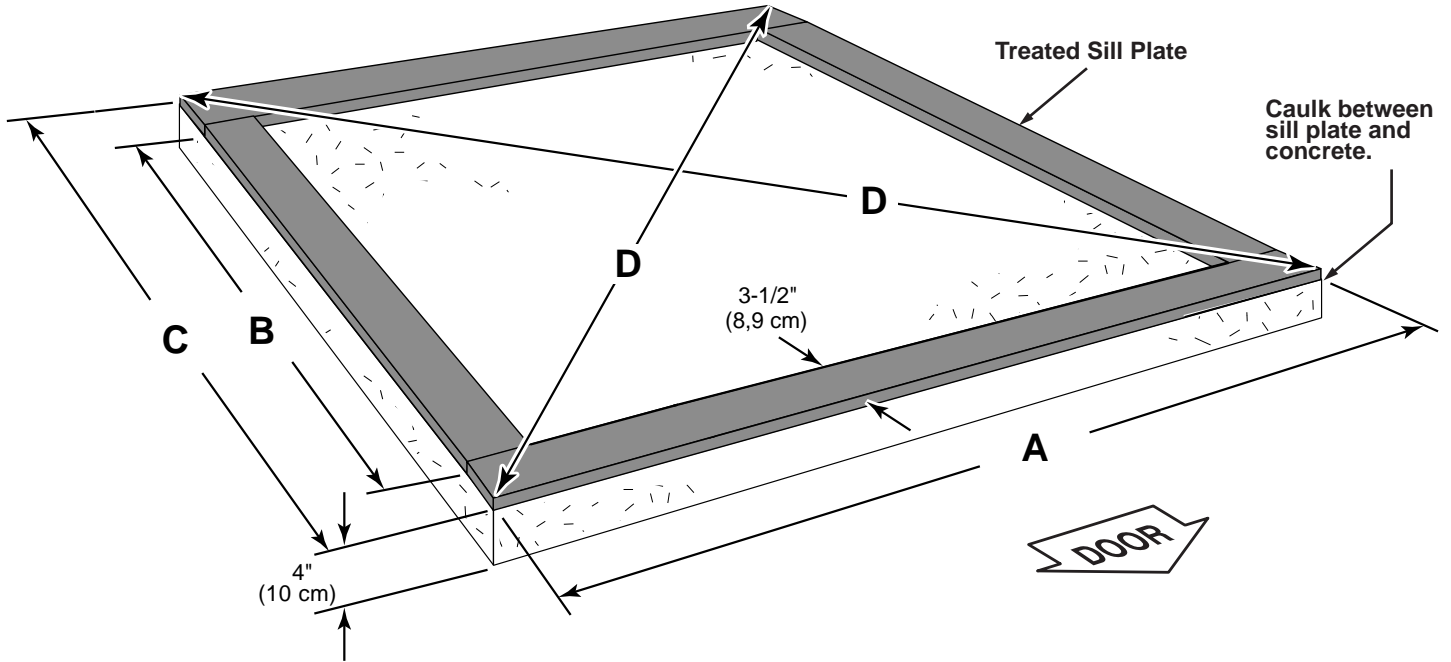
	10x8'	10x12'	10x16'
<input type="checkbox"/> DRIP EDGE (Feet).....	40	50	60
<input type="checkbox"/> #15 ROOFING FELT (Sq ft. to cover).....	96	144	192

REFER TO THE BACK OF THIS MANUAL AND THE MANUFACTURER'S INSTRUCTIONS FOR INSTALLATION OF SHINGLES, DRIP EDGE AND FELT.

NOTES

CONCRETE FOUNDATION

If you choose to install your kit on a concrete slab refer to the diagram below. Install the sill plates on the foundation as shown, and continue on to page 21.



Building Size	Actual Floor Size	A	B	C	D
10'x 8' (305 x 244 cm)	10'x 7'-8-5/8" (305 x 235 cm)	120" (305 cm)	85-5/8" (217 cm)	92-5/8" (235 cm)	151-1/2" (385 cm)
10'x 12' (305 x 366 cm)	10'x 11'-8-5/8" (305 x 357 cm)	120" (305 cm)	133-5/8" (339 cm)	140-5/8" (357 cm)	185" (470 cm)
10'x 16' (305 x 488 cm)	10'x 15'-8-5/8" (305 x 479 cm)	120" (305 cm)	181-5/8" (461 cm)	188-5/8" (479 cm)	224" (568 cm)

⚠ **MUST be treated lumber.**

10' x 8' Building Requires:

x2 2 x 4 x 10' (5 x 10 x 305 cm) **x2** 2 x 4 x 8' (5 x 10 x 244 cm)

10' x 12' Building Requires:

x2 2 x 4 x 10' (5 x 10 x 305 cm) **x2** 2 x 4 x 8' (5 x 10 x 244 cm) **x2** 2 x 4 x 4' (5 x 10 x 122 cm)

10' x 16' Building Requires:

x2 2 x 4 x 10' (5 x 10 x 305 cm) **x2** 2 x 4 x 8' (5 x 10 x 244 cm) **x2** 2 x 4 x 8' (5 x 10 x 244 cm)

x1 or 2 **Caulk**

⚠ Allow new concrete slabs to cure for at least seven (7) days.

- A treated 2 x 4" (5 x 10 cm) sill plate is required when installing your shed on concrete.

Purchase full length treated lumber, or butt shorter pieces end-to-end and seal seams with caulk.

- Use a high quality exterior grade caulk beneath all sill plates.
- Fasten 2 x 4" (5 x 10 cm) sill plates to slab using approved concrete anchors (**fasteners not included**).
- Check local code for concrete foundation requirements.

FLOOR FRAME (Not Included)

You may need treated 2 x 4" boards cut to size and nails to complete your floor. Floor panel sizes and quantities are shown below. **MUST** be treated lumber.

10 x 8'

- x2** 2 x 4 x 48" (5 x 10 x 122 cm)
- x2** 2 x 4 x 72" (5 x 10 x 183 cm)
- x6** 2 x 4 x 89-1/2" (5 x 10 x 227 cm)

10 x 12'

- x6** 2 x 4 x 45" (5 x 10 x 114,3 cm)
- x4** 2 x 4 x 48" (5 x 10 x 122 cm)
- x4** 2 x 4 x 72" (5 x 10 x 183 cm)
- x6** 2 x 4 x 89-1/2" (5 x 10 x 227 cm)

10 x 16'

- x4** 2 x 4 x 48" (5 x 10 x 122 cm)
- x4** 2 x 4 x 72" (5 x 10 x 183 cm)
- x6** 2 x 4 x 89-1/2" (5 x 10 x 227 cm)
- x6** 2 x 4 x 93" (5 x 10 x 236,2 cm)

- x1** 1 lb. of 3" (7,8 cm) Hot Dipped Galvanized Deck-Type Nails.

FLOOR PANELS (Not Included)

You may need floor panels and nails to complete your floor. Floor panel sizes and quantities are shown below. Use a minimum of 5/8" (1,6 cm) Oriented Strand Board (OSB)

10 x 8'

- x2** 5/8 x 48 x 92-5/8" (1,6 x 122 x 235,3 cm)
- x1** 5/8 x 23-7/8 x 92-5/8" (1,6 x 60,6 x 235,3 cm)

10 x 12'

- x2** 5/8 x 48 x 92-5/8" (1,6 x 122 x 235,3 cm)
- x2** 5/8 x 48 x 48" (1,6 x 122 x 122 cm)
- x1** 5/8 x 23-7/8 x 92-5/8" (1,6 x 60,6 x 235,3 cm)
- x1** 5/8 x 23-7/8 x 48" (1,6 x 60,6 x 122 cm)

10 x 16'

- x2** 5/8 x 48 x 92-5/8" (1,6 x 122 x 235,3 cm)
- x2** 5/8 x 48 x 96" (1,6 x 122 x 244 cm)
- x1** 5/8 x 23-7/8 x 92-5/8" (1,6 x 60,6 x 235,3 cm)
- x1** 5/8 x 23-7/8 x 96" (1,6 x 60,6 x 244 cm)

- x1** 2" (5,0 cm) 1 lb. of 2" (5,0 cm) Hot Dipped Galvanized Box-Type Nails.

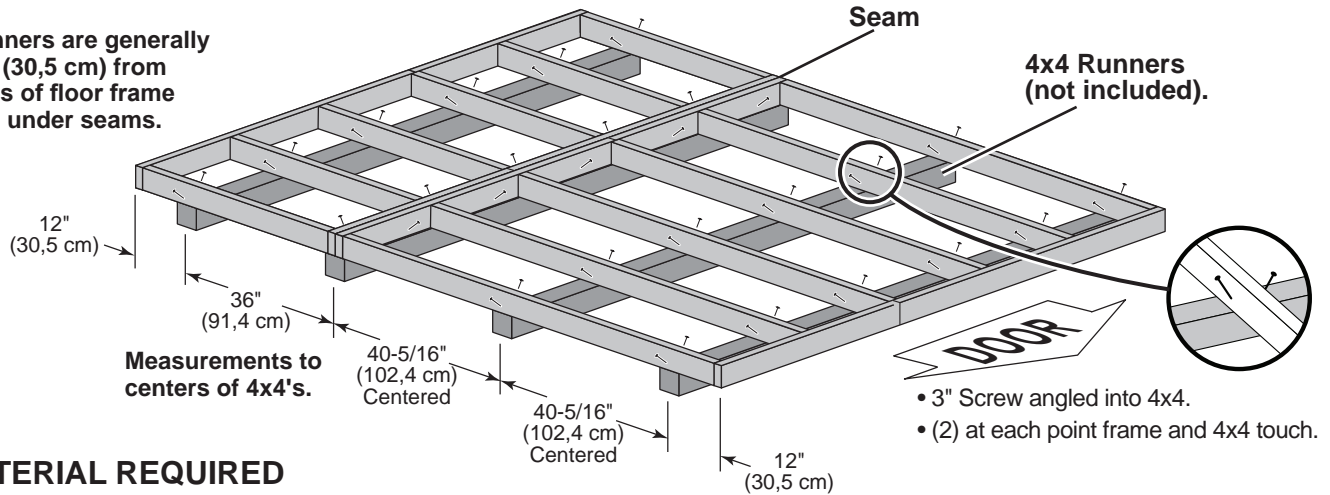
OPTIONAL WOOD FRAME FLOOR LEVELING OPTIONS

There are multiple ways to level your floor frame. Our recommended leveling method is shown below.

Leveling materials are not included in this kit.

PREFERRED METHOD - 4x4 TREATED RUNNERS (Typical for 10' x 12' Kit)

Runners are generally 12" (30,5 cm) from ends of floor frame and under seams.



MATERIAL REQUIRED

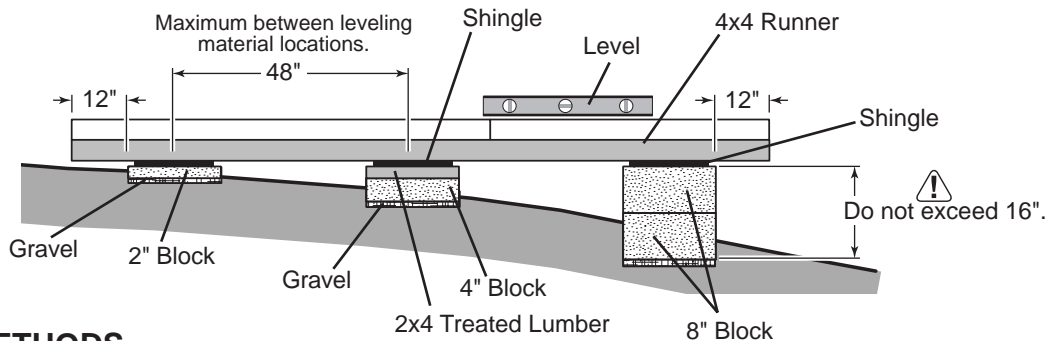
- x2 (10' x 8')** 4" x 4" x 10' (10 x 10 x 305 cm) Treated Lumber
- x4 (10' x 12')** 4" x 4" x 10' (10 x 10 x 305 cm) Treated Lumber
- x5 (10' x 16')** 4" x 4" x 10' (10 x 10 x 305 cm) Treated Lumber

Fasteners for Frame to 4"x 4".

(3" Screws shown as (1) option.) Minimum (12 for each runner) 3" screws / exterior grade.

! Use only wood treated for ground contact and fasteners approved for use with treated wood.

! Always support frame seams.



LEVELING METHODS

- Level under 4x4 runners only.
- Locate leveling material 12" from ends of runners and no more than 48" apart.
- Asphalt shingles should be used between 4x4 runners and blocks or treated lumber. Never use shingles in direct contact with ground.
- For best results and aiding in water drainage use gravel under each concrete block.

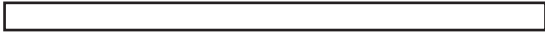
LEVELING MATERIALS


- Gravel
- Solid Masonry Blocks in 1", 2", 4" or 8" thickness
- 2x4 Treated Lumber
- Asphalt Shingles


! Leveling higher than 16" not recommended.

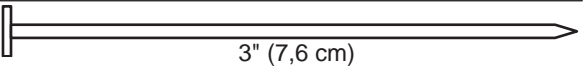
10' x 8' FLOOR FRAME (Not Included)

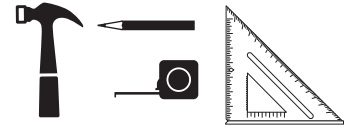
PARTS REQUIRED:

x2 
2 x 4 x 72" (5 x 10 x 183 cm) Treated Wood

x6 
2 x 4 x 89-1/2" (5 x 10 x 227 cm) Treated Wood

x2 
2 x 4 x 48" (5 x 10 x 122 cm) Treated Wood

x28  3" (7,6 cm)



✓ BEGIN

1 Orient parts as shown on flat surface. Measure and mark from end of boards.

Secure with (2) 3" nails at each mark.

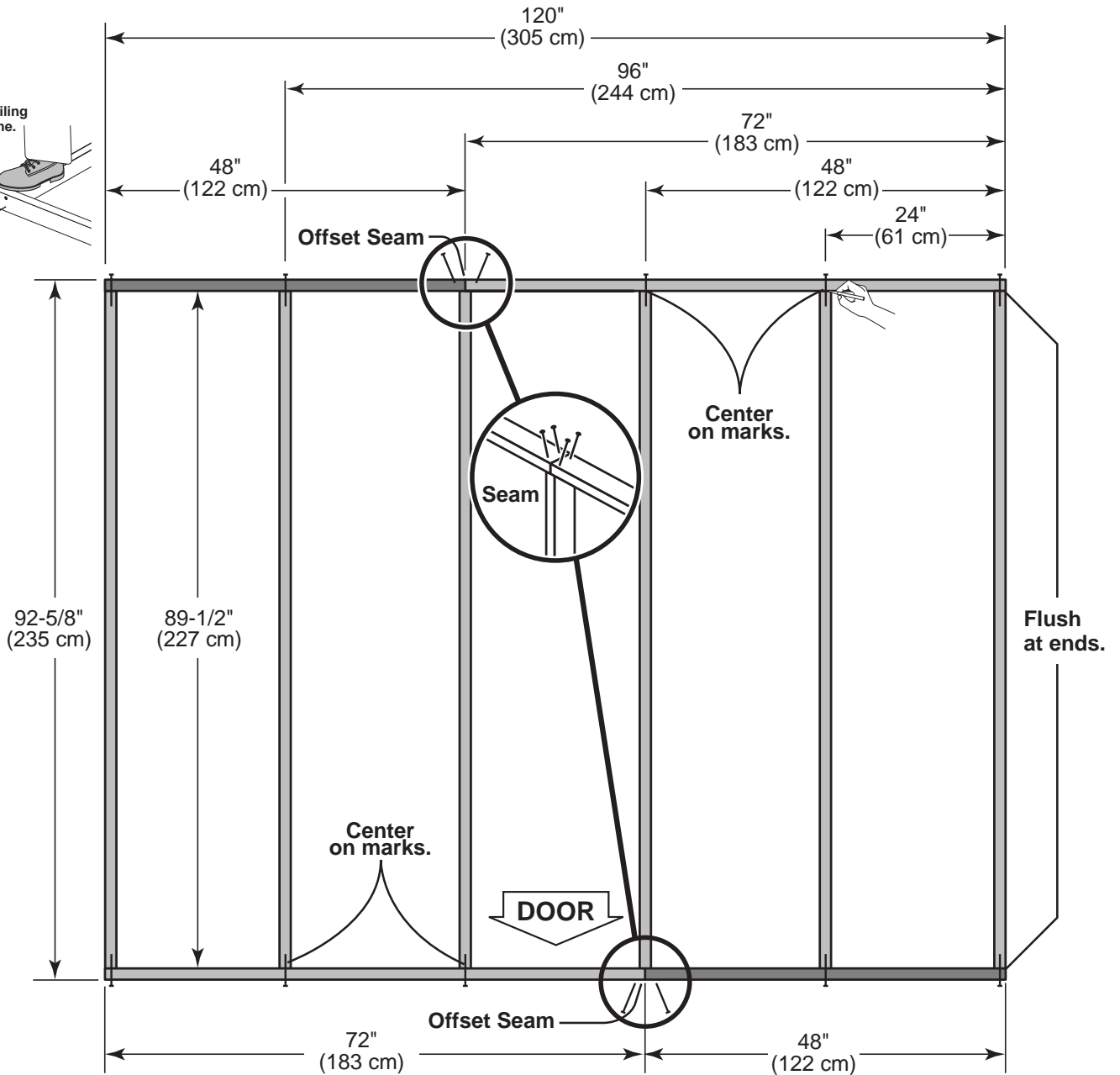
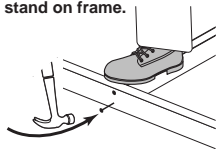


FINISH

You have finished your 10' x 8' floor frame. If building 10' x 8' kit go to page 13.
If building 10' x 12' kit go to page 11. If building 10' x 16' kit go to page 12.






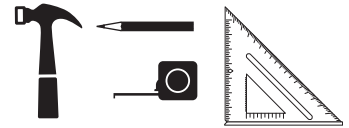
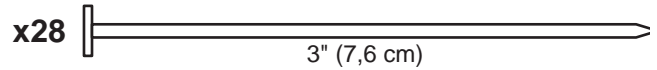
HINT:
For easier nailing
stand on frame.




10 x 12' FLOOR FRAME (Not Included)

PARTS REQUIRED:

- x2** 
2 x 4 x 72" (5 x 10 x 183 cm)
- x2** 
2 x 4 x 48" (5 x 10 x 122 cm)
- x6** 
2 x 4 x 45" (5 x 10 x 114,3 cm)

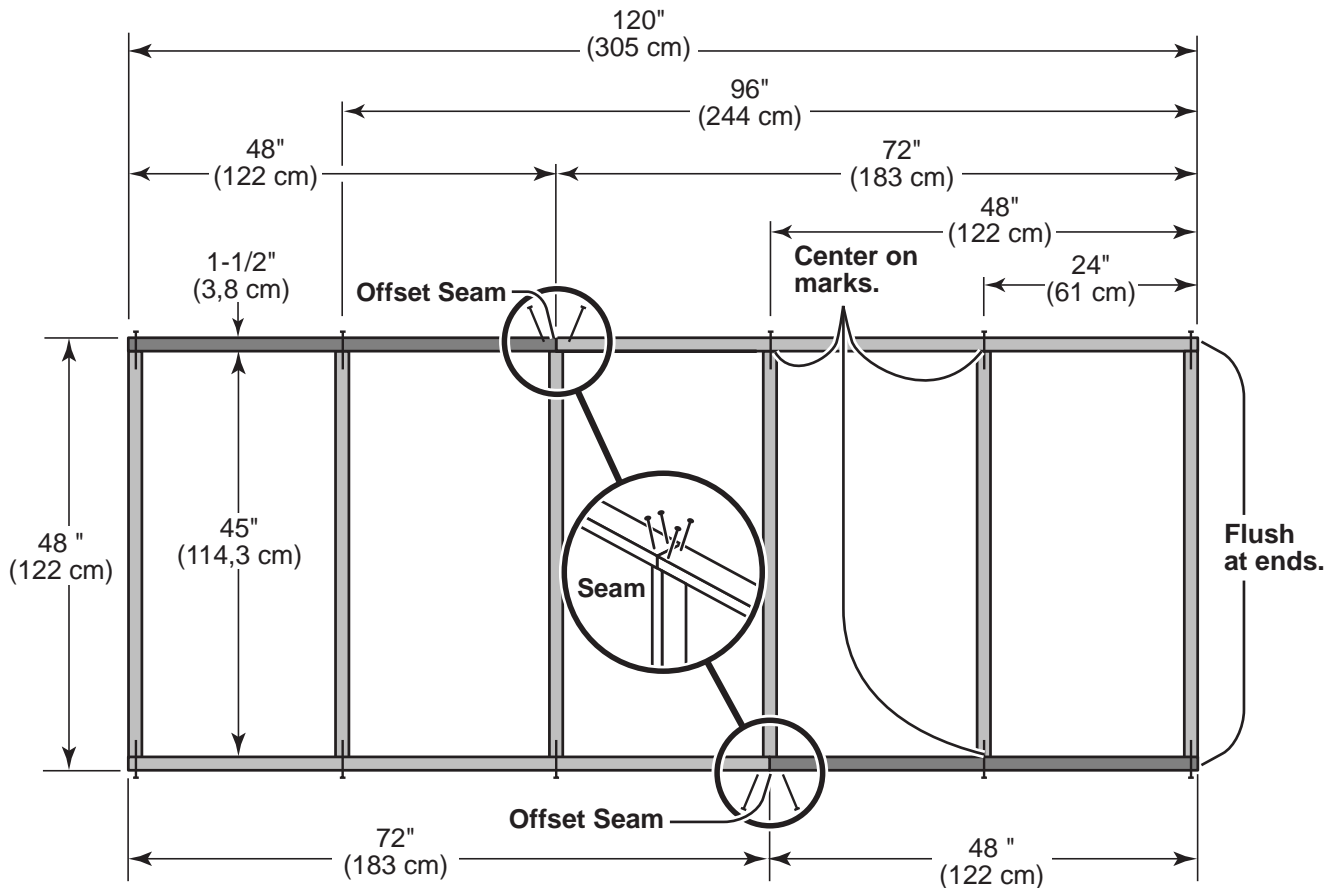
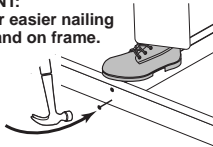


✓BEGIN  You will build (2) floor sections.

- 1** Follow steps 1-3 on page 10 to build front 10' x 8' floor section 1.
- 2** Orient parts as shown on flat surface to build back section 2. Measure and mark each dimension from end of boards.
- 3** Secure with (2) 3" nails at each mark. Go to page 14.





HINT:
For easier nailing
stand on frame.




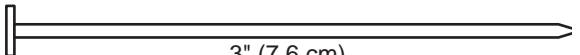
10 x 16' FLOOR FRAME (Not Included)

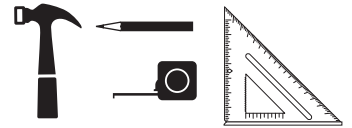
PARTS REQUIRED:

x2 
2 x 4 x 72" (5 x 10 x 183 cm)

x2 
2 x 4 x 48" (5 x 10 x 122 cm)

x6 
2 x 4 x 93" (5 x 10 x 236,2 cm)

x28 
3" (7,6 cm)

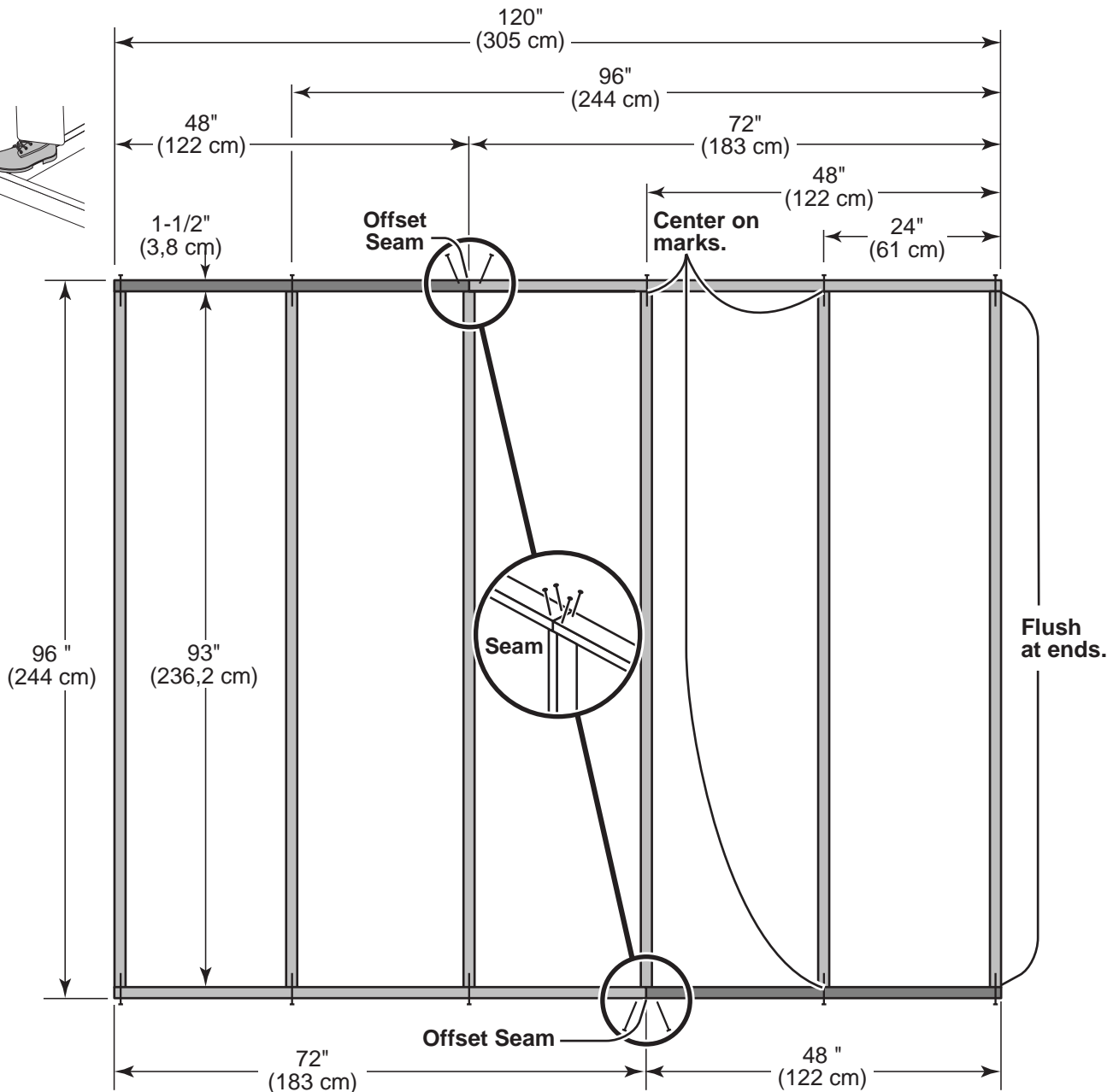
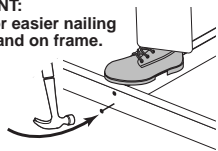


✓ **BEGIN** ⚠ You will build (2) floor sections.

- 1** Follow steps 1-3 on page 10 to build front 10' x 8' floor section 1.
- 2** Orient parts as shown on flat surface to build back section 2. Measure and mark each dimension from end of boards.
- 3** Secure with (2) 3" nails at each mark. Go to page 15.



HINT:
For easier nailing
stand on frame.



STOP!



LEVEL AND SQUARE FLOOR FRAME



STOP!

Before attaching floor decking, it is important to level and square the floor frame. A level and square floor frame is required to correctly construct your shed.

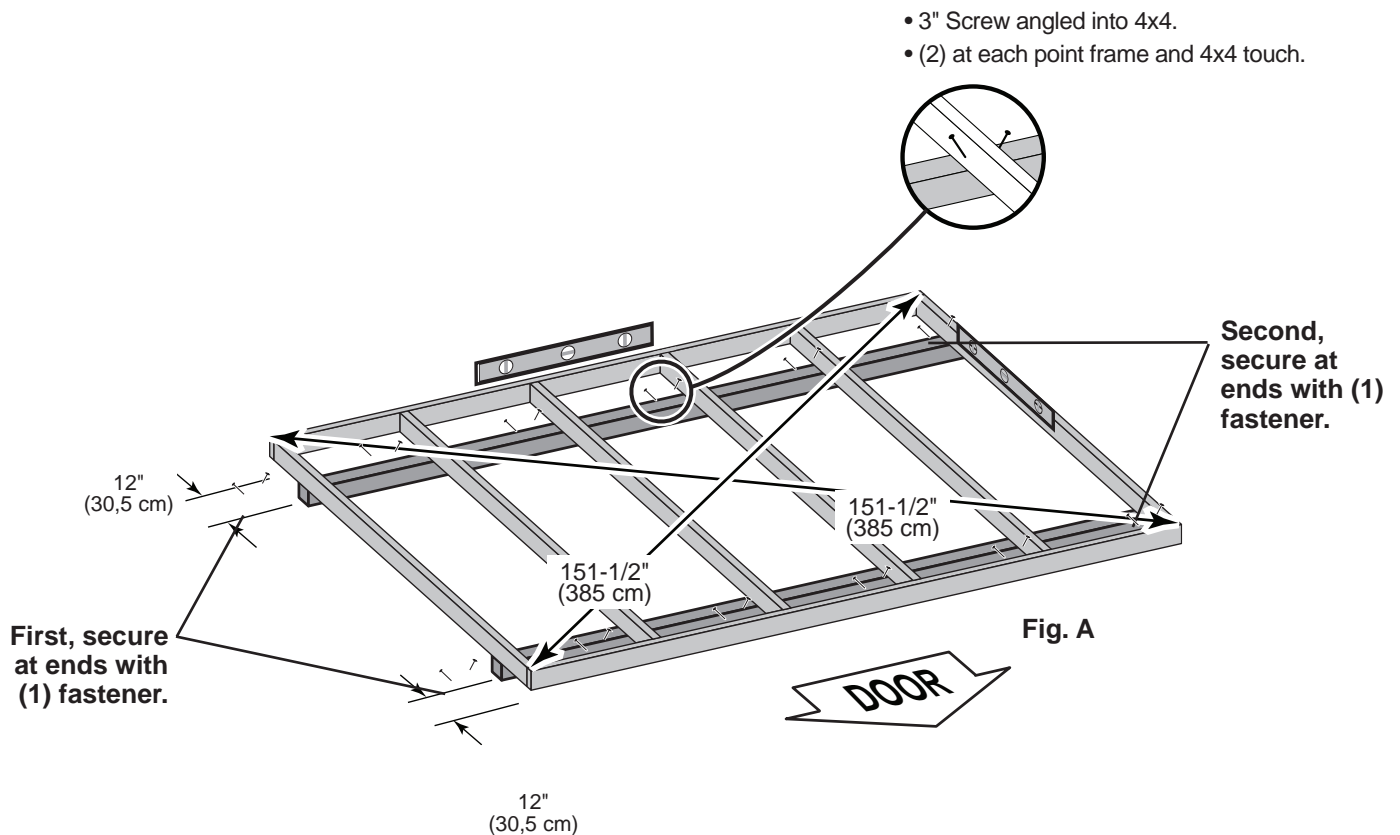
✓ BEGIN

- 1 See page 9 for the preferred floor leveling method.
- 2 Use level and check the frame is level before applying floor panels.
- 3 Check for frame squareness by measuring diagonally across corners. If the measurements are the same, the frame is square. The diagonal measurement will be approximately 151-1/2" (385 cm).
- 4 When the frame is level and square secure (1) side of frame to the 4x4 runners using (1) fastener at ends of each runner. At the opposite end of the frame, secure the frame to 4x4 runners with (1) fastener at ends of each runner making sure the frame remains square (**Fig. A**).

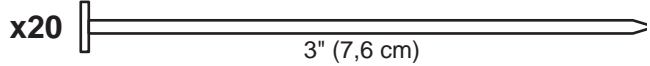


FINISH

Once the floor frame is level and square fasten the frame at each point the frame contacts the 4x4 runners. Use minimum of 12 screws for each runner. Go to page 16.



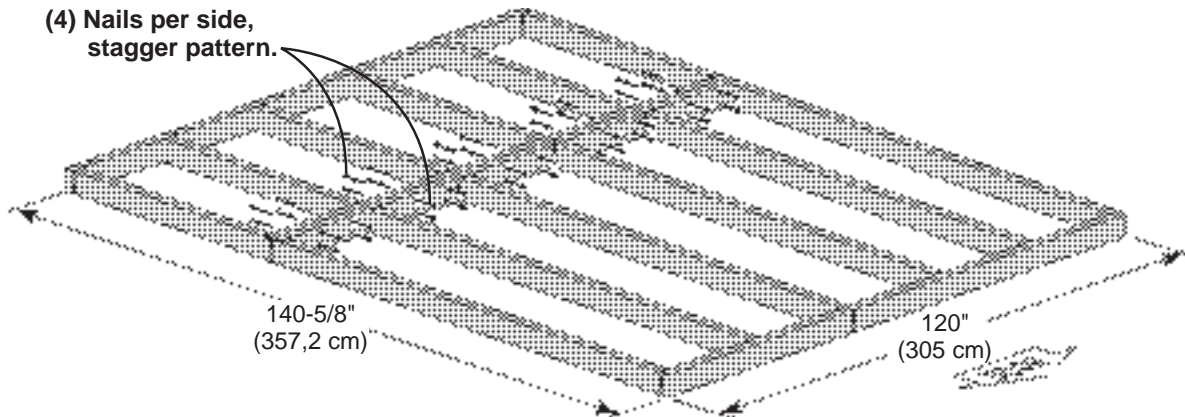
10 x 12' FLOOR FRAME (Not Included)



- 4 Put both floor sections together and attach as shown using 3" nails.



You have finished your floor frame. Proceed to level and square frame.



STOP!



LEVEL AND SQUARE FLOOR FRAME



Before attaching floor decking, it is important to level and square the floor frame. A level and square floor frame is required to correctly construct your shed.

STOP!

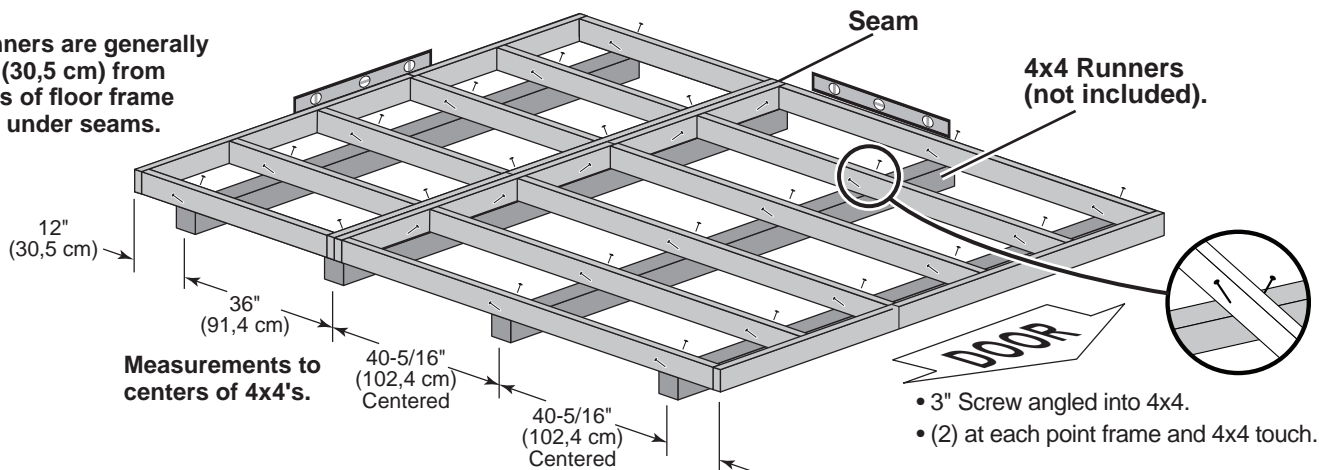
BEGIN

- 1 See page 8 for the preferred floor leveling method.
- 2 Use level and check the frame is level before applying floor panels.
- 3 Check for frame squareness by measuring diagonally across corners. If the measurements are the same, the frame is square. The diagonal measurement will be approximately 185" (470 cm).
- 4 When the frame is level and square secure (1) side of frame to the 4x4 runners using (1) fastener at ends of each runner. At the opposite end of the frame, secure the frame to 4x4 runners with (1) fastener at ends of each runner making sure the frame remains square (**Fig. A**).

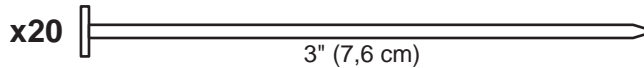


Once the floor frame is level and square fasten the frame at each point the frame contacts the 4x4 runners. Go to page 16.

Runners are generally 12" (30,5 cm) from ends of floor frame and under seams.



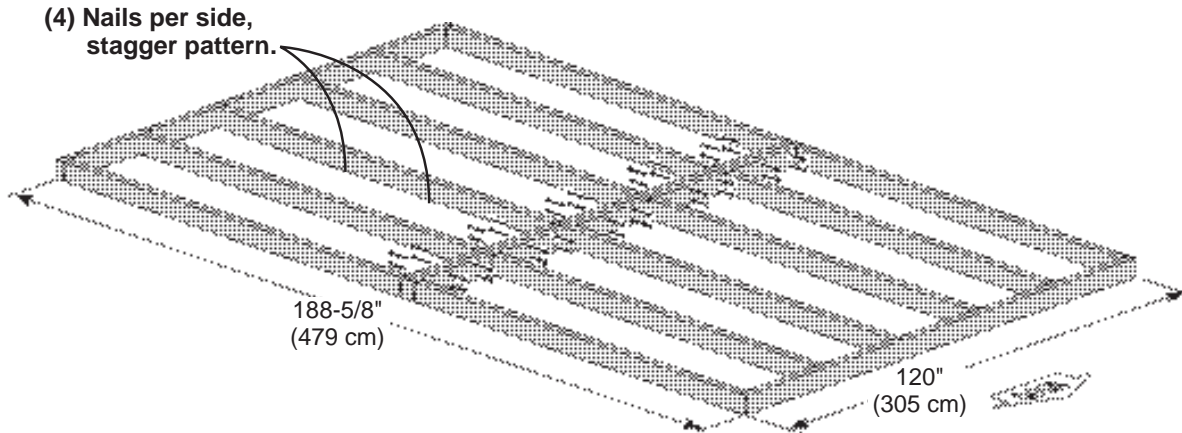
10 x 16' FLOOR FRAME (Not Included)



- 4 Put both floor sections together and attach as shown using 3" nails.



You have finished your floor frame. Proceed to level and square frame.



STOP!



LEVEL AND SQUARE FLOOR FRAME



STOP!

Before attaching floor decking, it is important to level and square the floor frame. A level and square floor frame is required to correctly construct your shed.

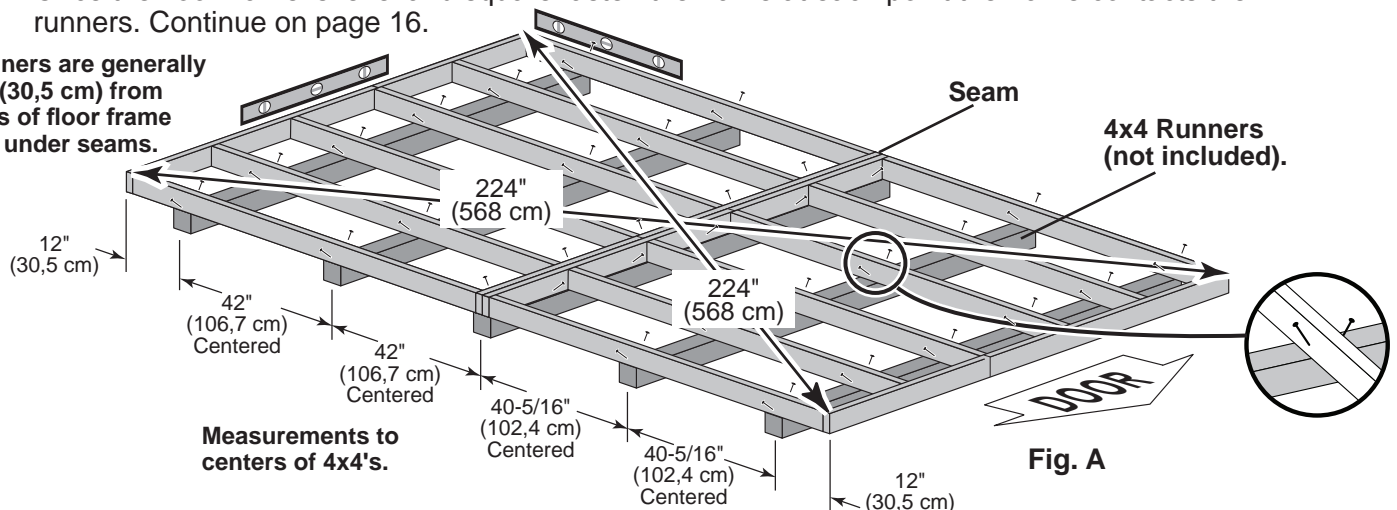
BEGIN

- 1 See page 8 for the preferred floor leveling method.
- 2 Use level and check the frame is level before applying floor panels.
- 3 Check for frame squareness by measuring diagonally across corners. If the measurements are the same, the frame is square. The diagonal measurement will be approximately 224" (568 cm).
- 4 When the frame is level and square secure (1) side of frame to the 4x4 runners using (1) fastener at ends of each runner. At the opposite end of the frame, secure the frame to 4x4 runners with (1) fastener at ends of each runner making sure the frame remains square (**Fig. A**).



Once the floor frame is level and square fasten the frame at each point the frame contacts the 4x4 runners. Continue on page 16.

Runners are generally 12" (30,5 cm) from ends of floor frame and under seams.



10' x 8' FLOOR PANELS (Not Included)

PARTS REQUIRED:

x1

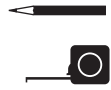
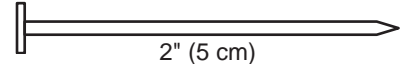


48" x 92-5/8"
(122 x 235,3 cm)



**FLOOR PANELS NOT INCLUDED.
SEE PAGE 8 FOR PANEL SIZES
AND QUANTITIES.**

x55



Ensure your floor frame is square by installing (1) panel and squaring frame.

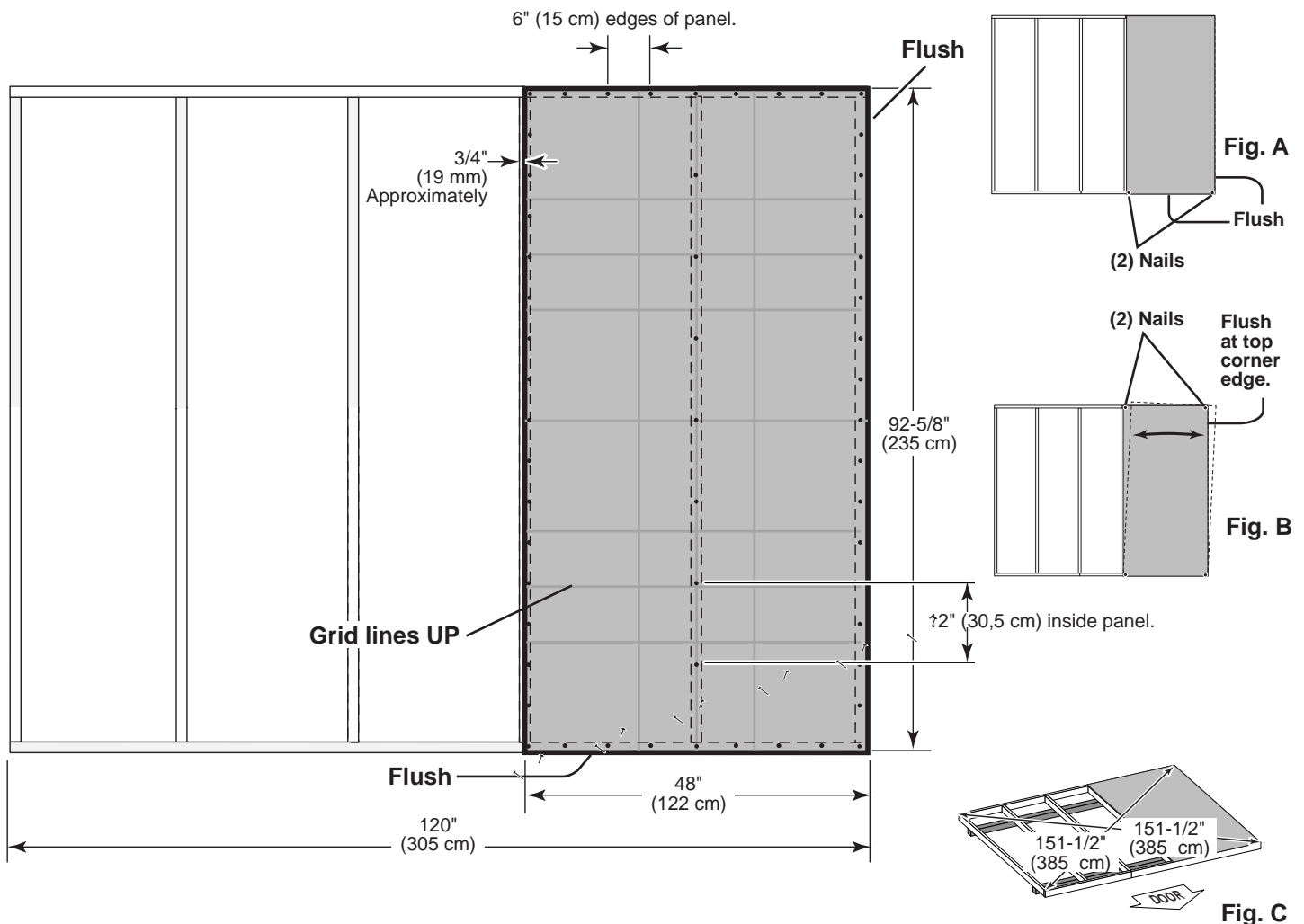
✓ **BEGIN**

1 Install (1) **48 x 92-5/8"** panel with the rough side up (painted-grid lines side) with the 48" edge and corner flush to the floor frame (**Fig A**). Secure panel with (2) 2" nails in the corners.

2 Move to the opposite end. Using the long edge of the panel as a lever move the panel side-to-side until the top corner is flush to the floor frame (**Fig. B**). Secure panel with 2" nails in the corners.

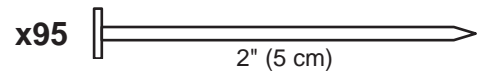
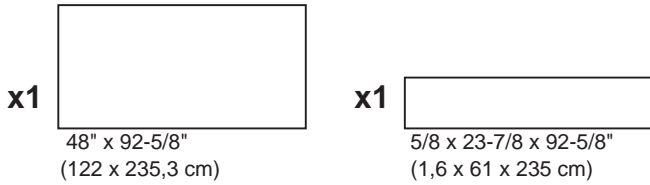
3 Check the floor frame is square by measuring diagonally across the frame corners. If the measurements are the same your floor frame is square. The measurement will be approximately 151-1/2" (385 cm) (**Fig. C**).


4 Continue securing the panel using 2" nails spaced 6" apart on edges and 12" apart inside panel. Use a chalk line or use pre-painted grid lines to nail into joists under panel.

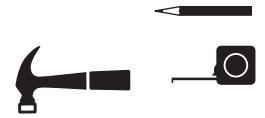


10' x 8' FLOOR PANELS (Not Included)

PARTS REQUIRED:



 **FLOOR PANELS NOT INCLUDED. SEE PAGE 8 FOR PANEL SIZES AND QUANTITIES.**

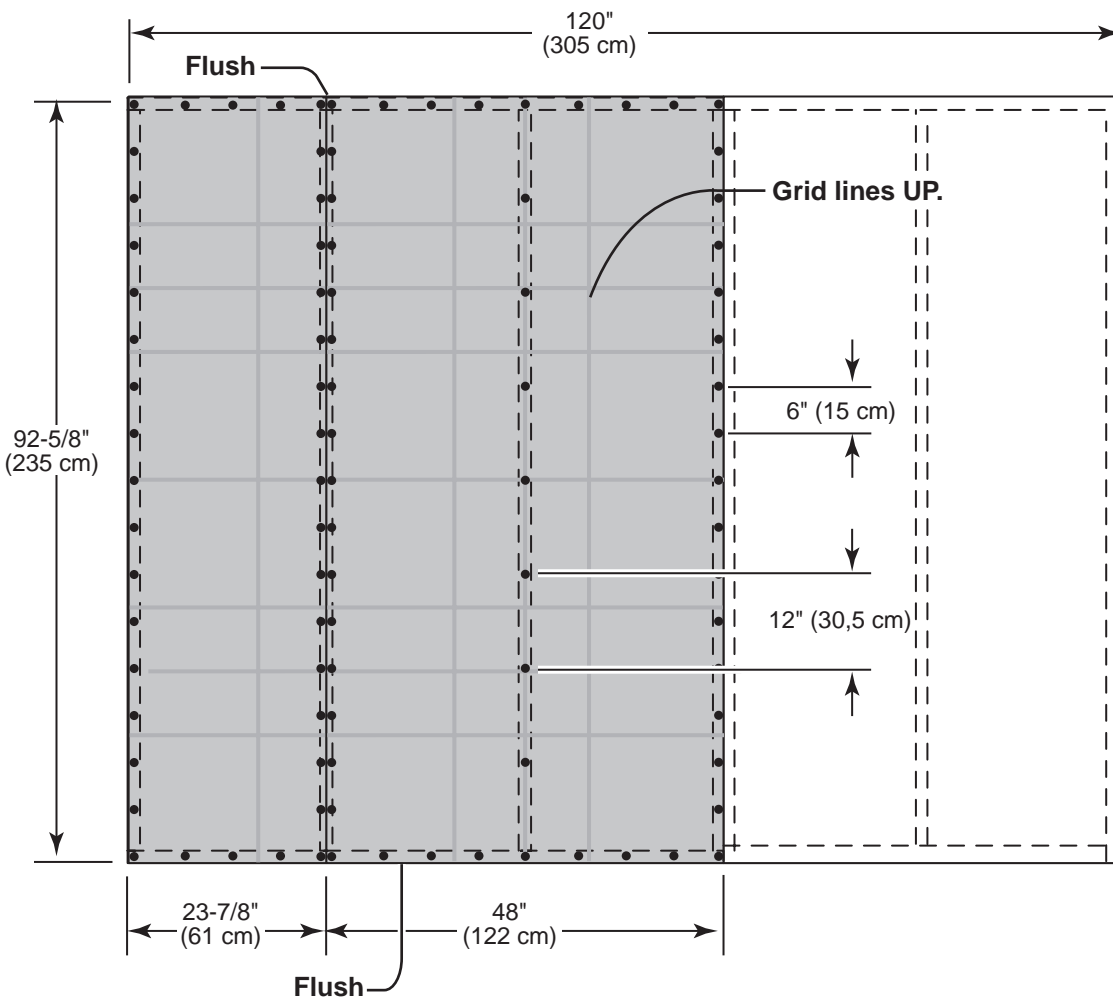


- 5** Continue installing panels with rough side up (painted grid lines).
- 6** Use a chalk line or grid lines on panels for 2" nails spaced 6" apart on edges and 12" apart inside panel.



If building the 10' x 8' kit, you have finished installing your floor panels, and can continue at p. 22.

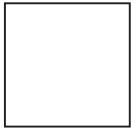
If building the 10' x 12' kit continue at page 18. If building the 10' x 16' kit, continue at p. 20.



10' x 12' FLOOR PANELS (Not Included)

PARTS REQUIRED:

x1

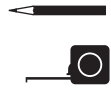
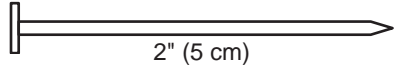


48" x 48"
(122 x 122 cm)



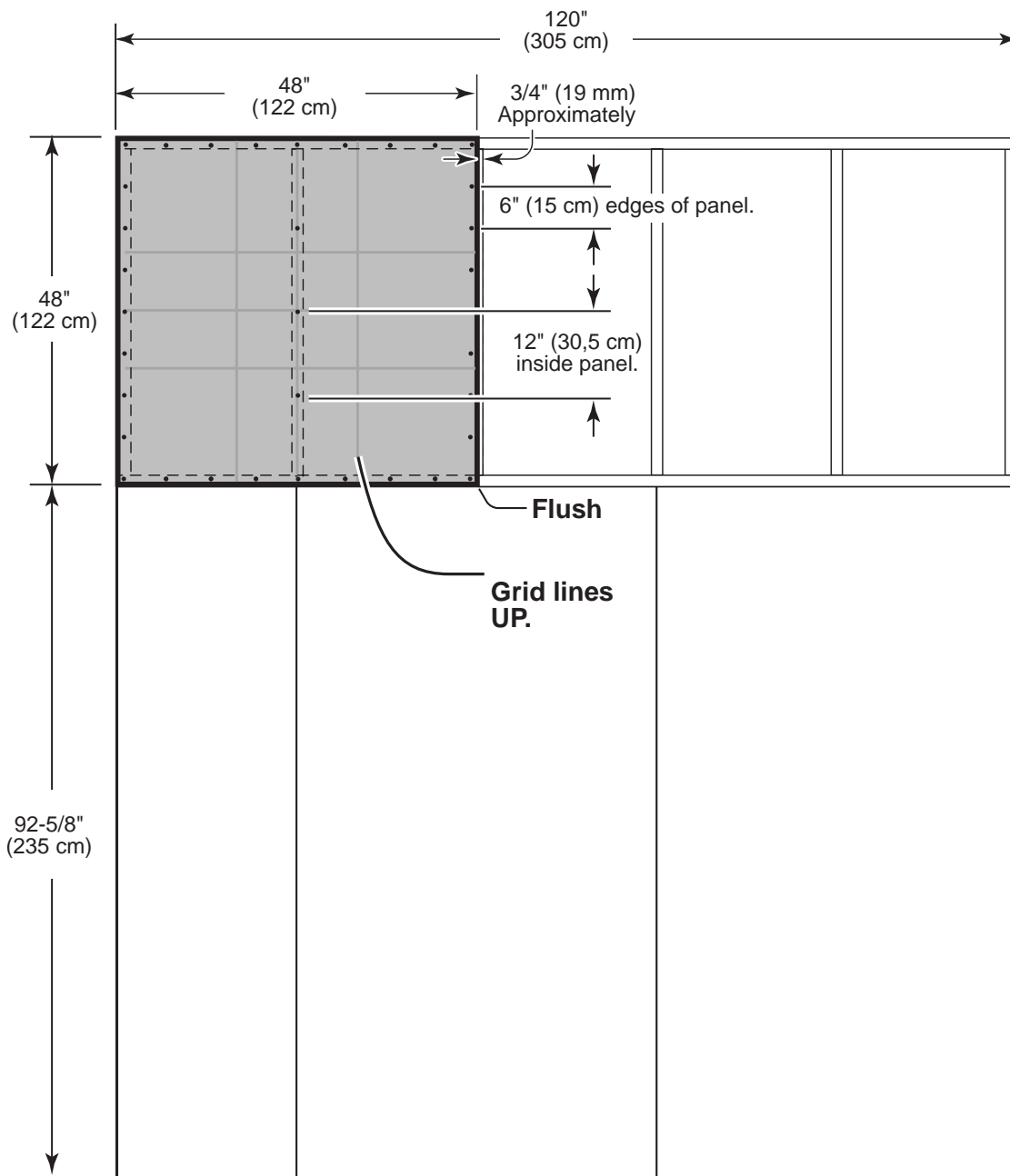
FLOOR PANELS NOT INCLUDED. SEE PAGE 8 FOR PANEL SIZES AND QUANTITIES.

x55



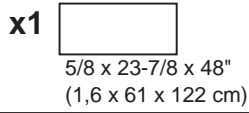
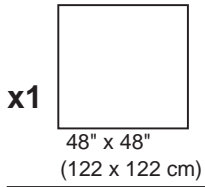
✓ BEGIN

- 1** Install(1) **48" x 48"** panel with the rough side up (painted-grid lines side) on Section 2 with the 48" edge and corner flush to the floor frame and Section 1.
- 2** Secure using 2" nails spaced 6" apart on edges and 12" apart inside panel. Use a chalk line or use pre-painted grid lines to nail into joists under panel.

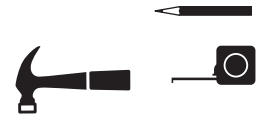
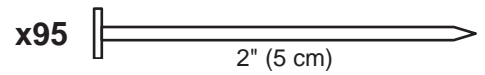


10' x 12' FLOOR PANELS (Not Included)

PARTS REQUIRED:



FLOOR PANELS NOT INCLUDED. SEE PAGE 8 FOR PANEL SIZES AND QUANTITIES.

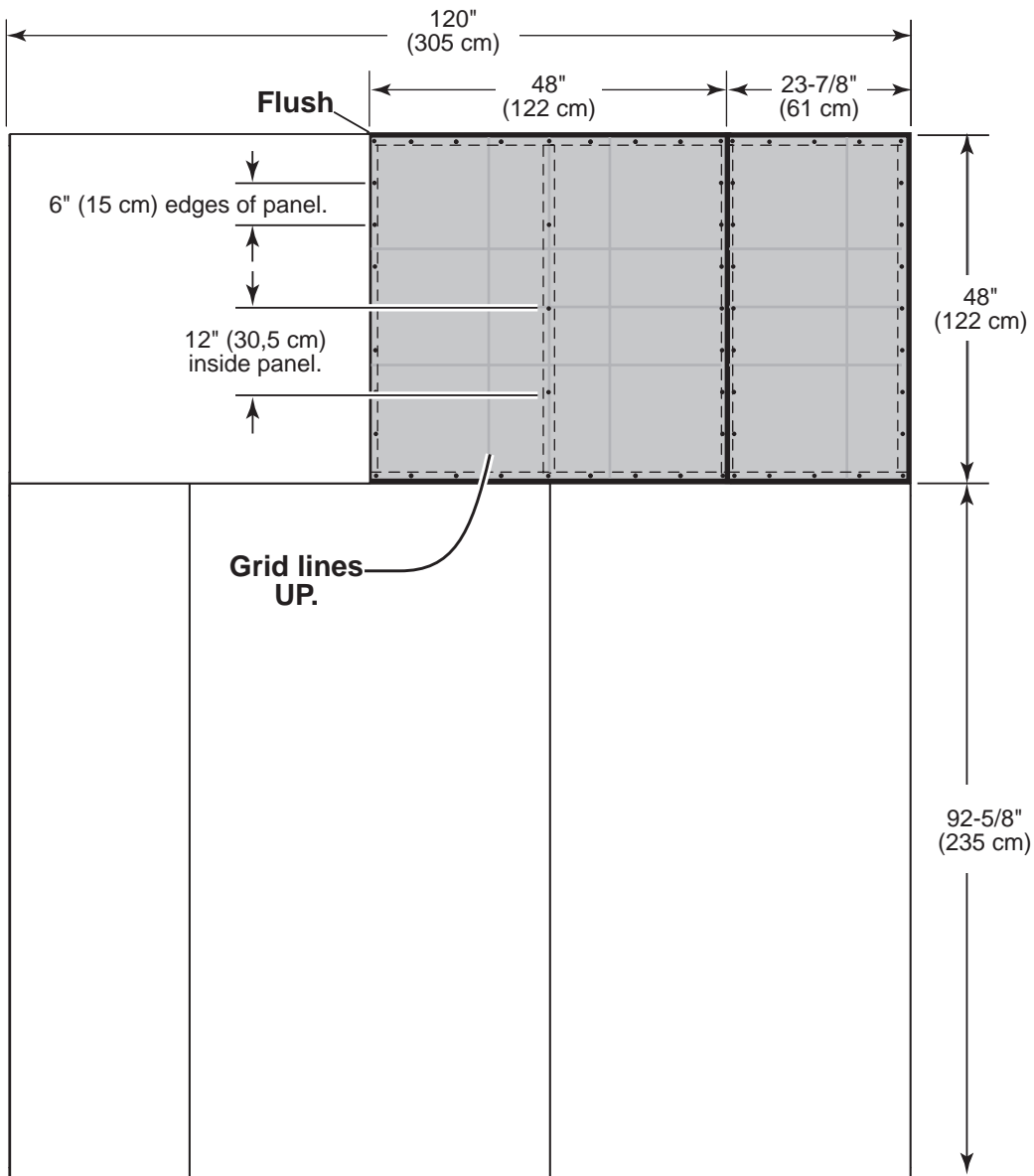


3 Continue installing panels with rough side up (painted grid lines) as shown.

4 Use a chalk line or grid lines on panels for 2" nails spaced 6" apart on edges and 12" apart inside panel.



You have finished Installing your floor panels. Continue on page 22.

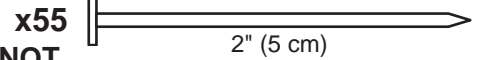


10' x 16' FLOOR PANELS (Not Included)

PARTS REQUIRED:

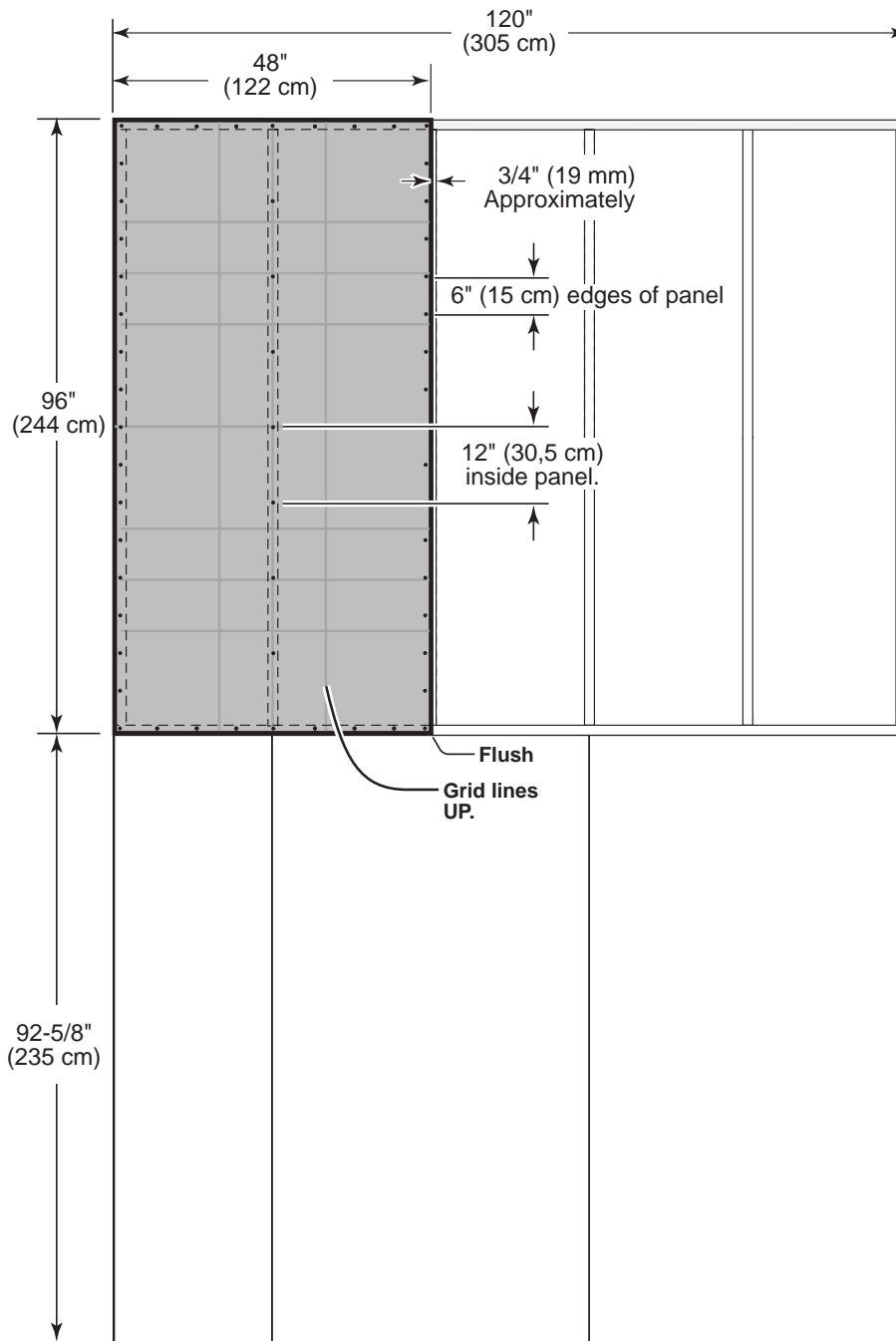


FLOOR PANELS NOT INCLUDED. SEE PAGE 8 FOR PANEL SIZES AND QUANTITIES.



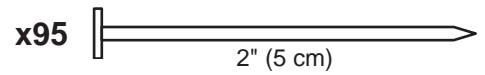
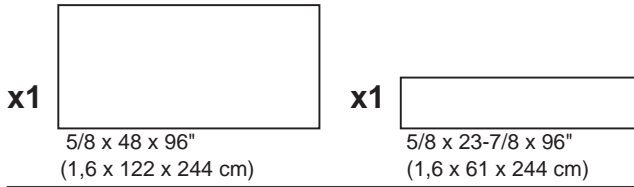
BEGIN

- 1** Position (1) **48" x 96"** panel with the rough side up (painted-grid lines side) with the 96" edge and corner flush to the floor frame and Section 1.
- 2** Secure the panel with 2" nails spaced 6" apart on edges and 12" apart inside panel. Use a chalk line or use pre-painted grid lines to nail into joists under panel.

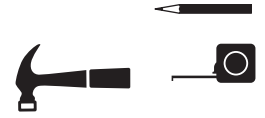


10' x 16' FLOOR PANELS (Not Included)

PARTS REQUIRED:



FLOOR PANELS NOT INCLUDED. SEE PAGE 8 FOR PANEL SIZES AND QUANTITIES.

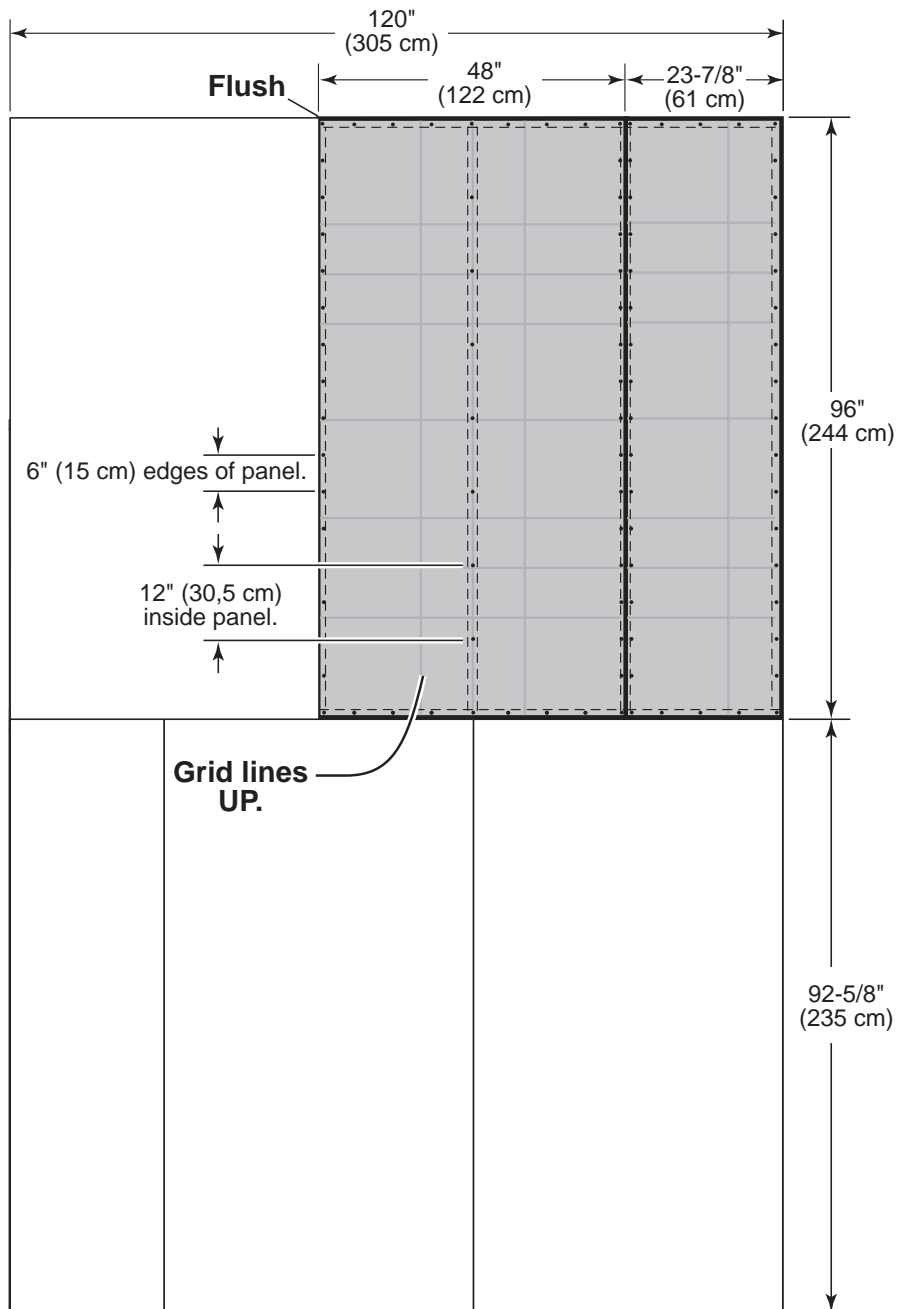


- 3** Continue installing panels with rough side up (painted grid lines).
- 4** Use a chalk line or grid lines on panels to locate frame. Secure with 2" nails spaced 6" apart on edges and 12" apart inside panel.



FINISH

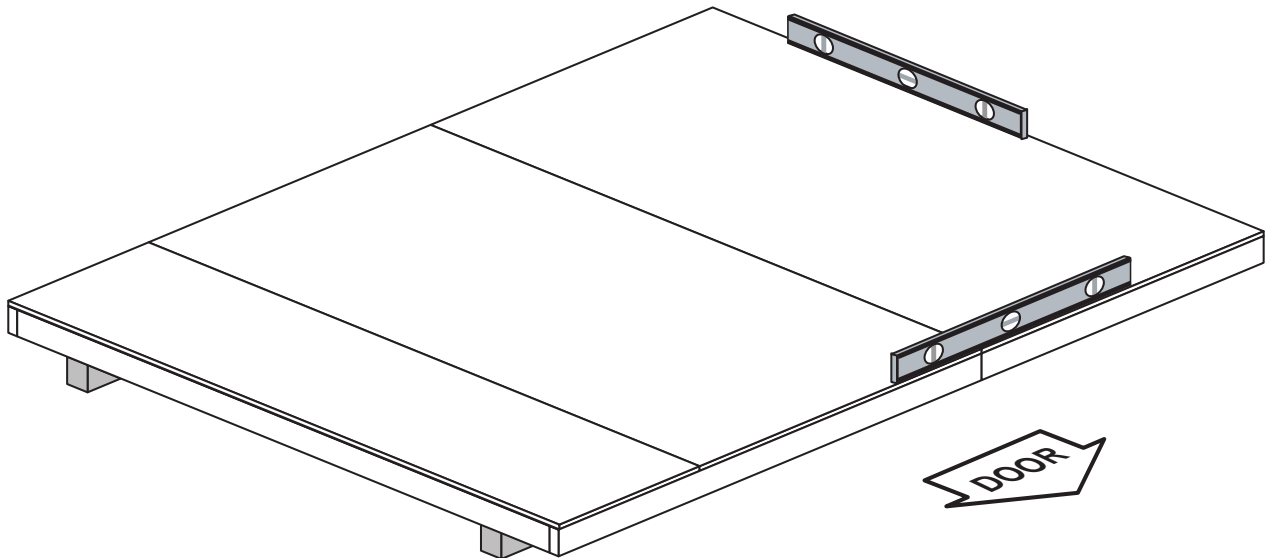
Your floor panels are now installed. Continue on page 22.



! IMPORTANT!

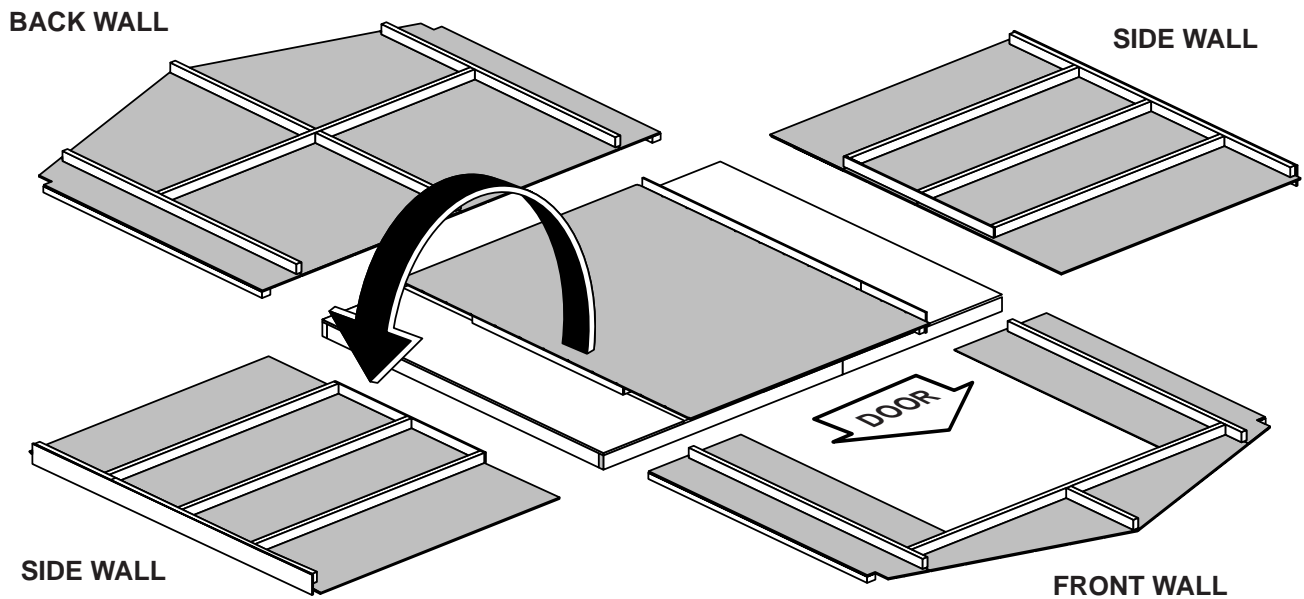


STOP! Check the floor frame is level after installing floor panels. Re-level if needed.



• The floor should be used as a stable work surface for wall construction.


HINT: • Organize your assembly procedure during the build process to avoid over-handling of the walls.

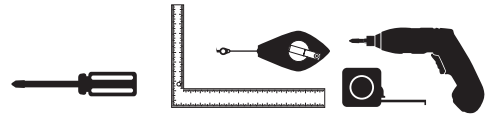


RAFTER ASSEMBLY JIG

PARTS REQUIRED:

x4 **GBB** 1 x 3 x 7-1/2" (2,5 x 7,6 x 19 cm)

x8  1-1/4" (3,2 cm)



✓ BEGIN

- 1 Build a **Jig** to ensure all **Rafters** are assembled the same.
- 2 Mark a straight line on the **Floor** from corner to corner (**Fig. A**) or on sill plates to fit measurements (**Fig. B**).
- 3 Screw blocks in place to measurement shown.



FINISH



Make sure blocks are square and at 125" (317,5 cm)

You have finished building a **Rafter Jig**.

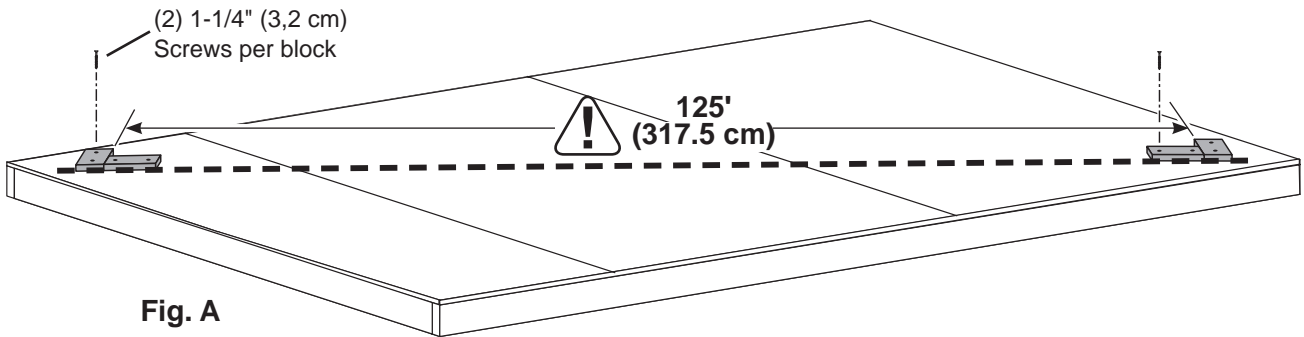
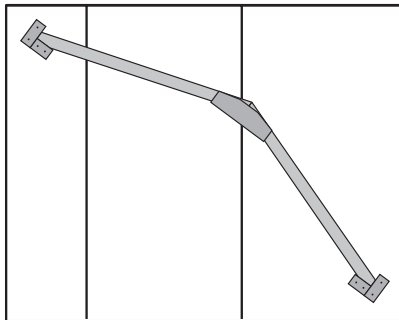
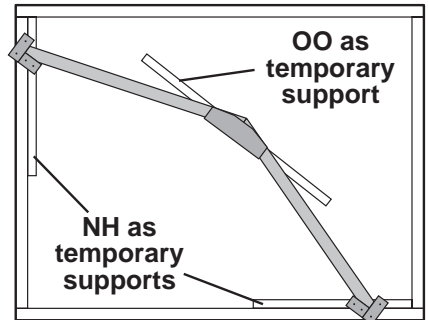


Fig. A

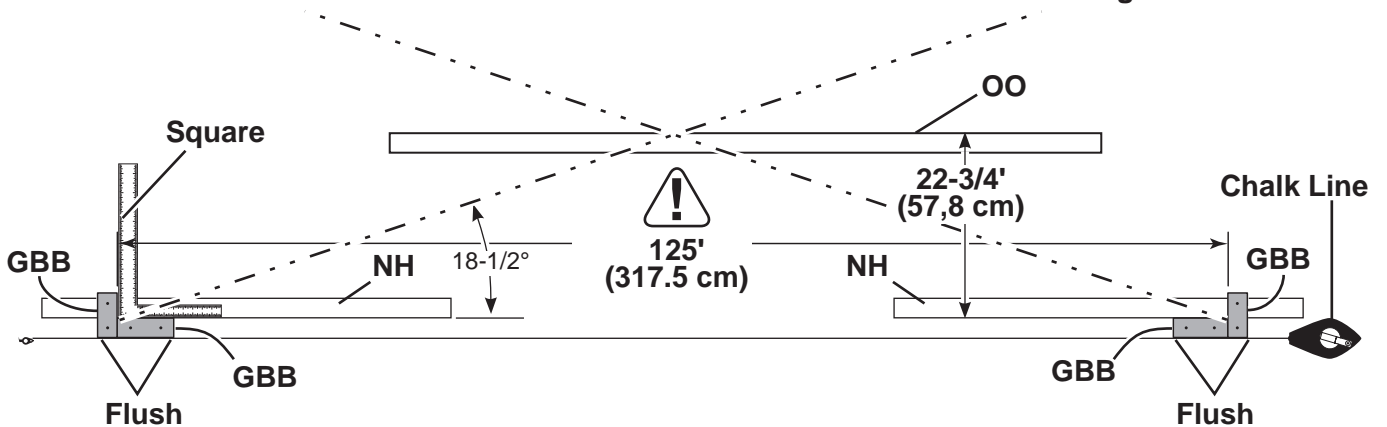


Rafter jig on wood floor



Rafter jig on concrete slab and sill plates


Fig. B

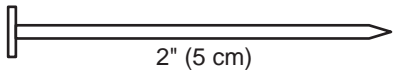


RAFTERS

PARTS REQUIRED:

x6/x10/x14  6 x 24" (15 x 61 cm)

x6/x10/x14 **CV** 
2 x 4 x 65-7/8" (5 x 10 x 167 cm)

x72  2" (5 cm)



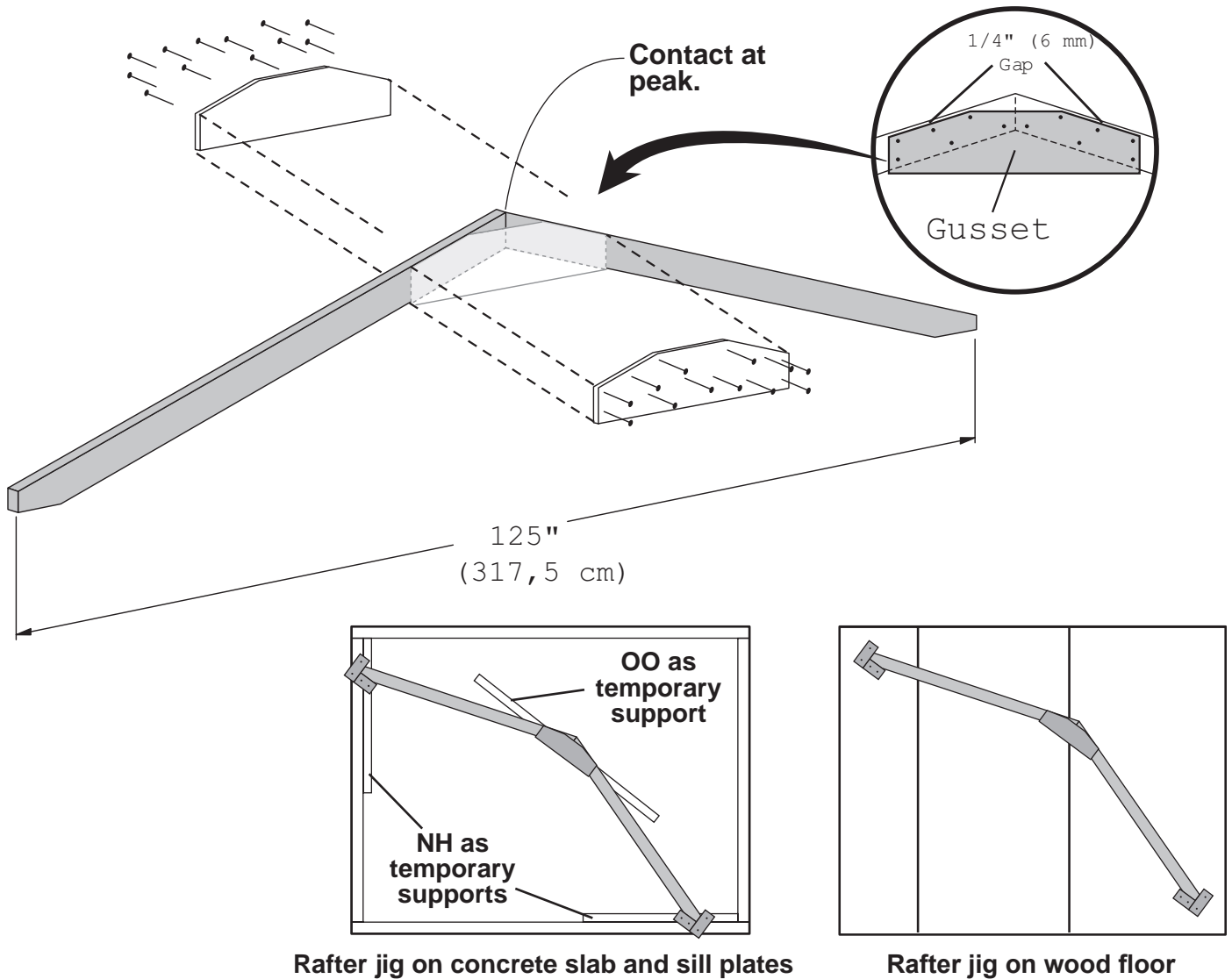
✓ BEGIN

- 1 Place (2) rafter halves **CV** on floor jig. You will assemble (4) rafters.
- 2 Secure gusset to rafter with 2" nails, staggered, as shown.
- 4 Flip over rafter assembly and secure gusset to back side of rafter.

Repeat steps 1-4 to build (2) more assemblies for 10' x 8' Kit, (4) more assemblies for 10' x 12' Kit, or six more assemblies for 10' x 16' Kit.



Unscrew jig and save blocks. Set aside rafters and proceed to building your back wall.



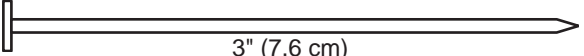
BACK WALL FRAME

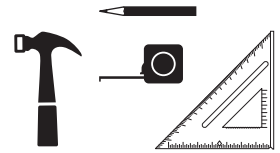
PARTS REQUIRED:

x1 **NH**
2 x 3 x 46-1/4" (5 x 7,6 x 117,5 cm)

x2 **PB**
2 x 3 x 77" (5 x 7,6 x 196 cm)

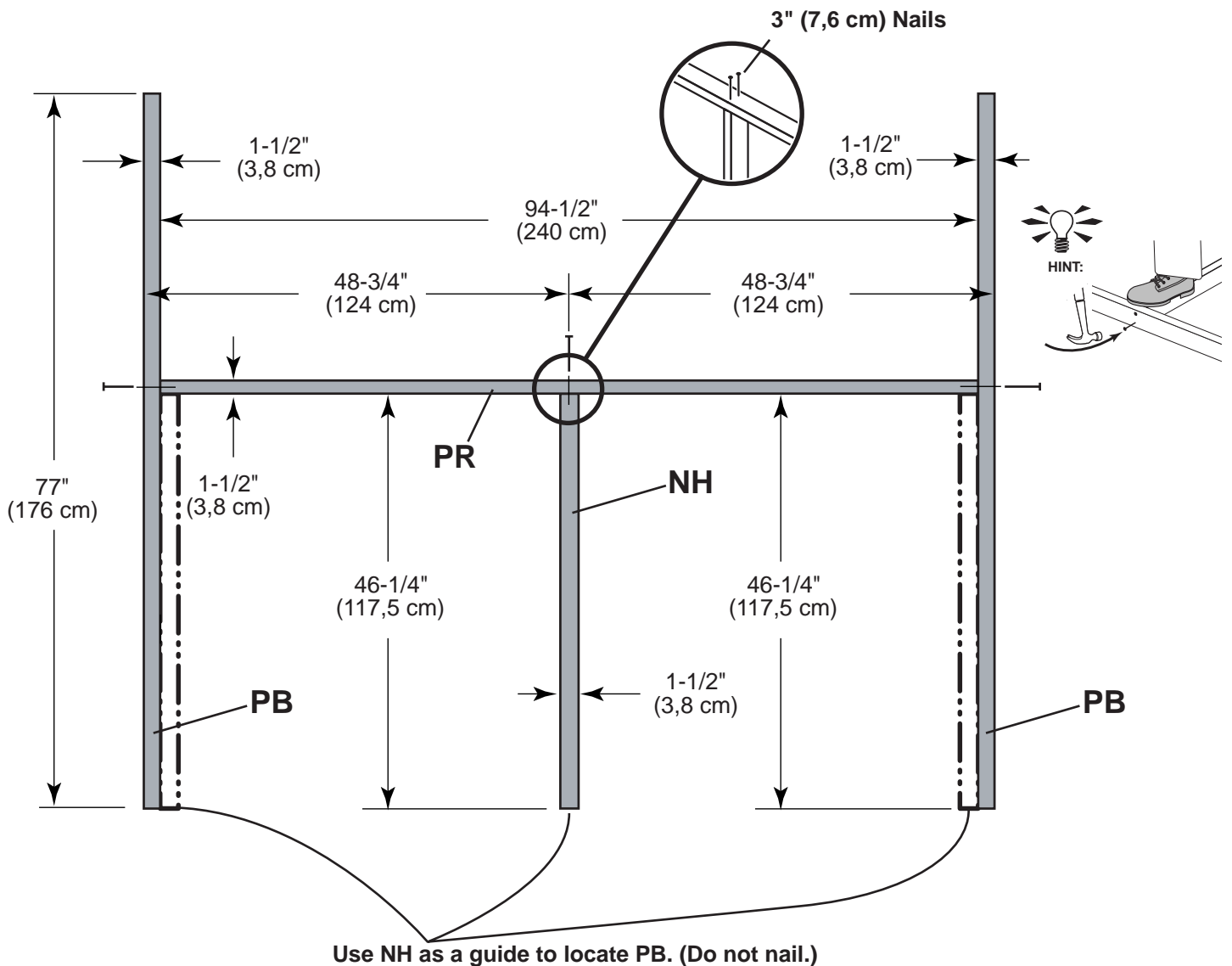
x1 **PR**
2 x 3 x 94-1/2" (5 x 7,6 x 240 cm)

x6  3" (7,6 cm)



✓ BEGIN


- 1 Orient parts on edge on floor as shown.
- 2 Secure with (2) 3" nails at each connection.



BACK WALL FRAME

PARTS REQUIRED:

x1 **NH**
2 x 3 x 46-1/4" (5 x 7,6 x 117,5 cm)

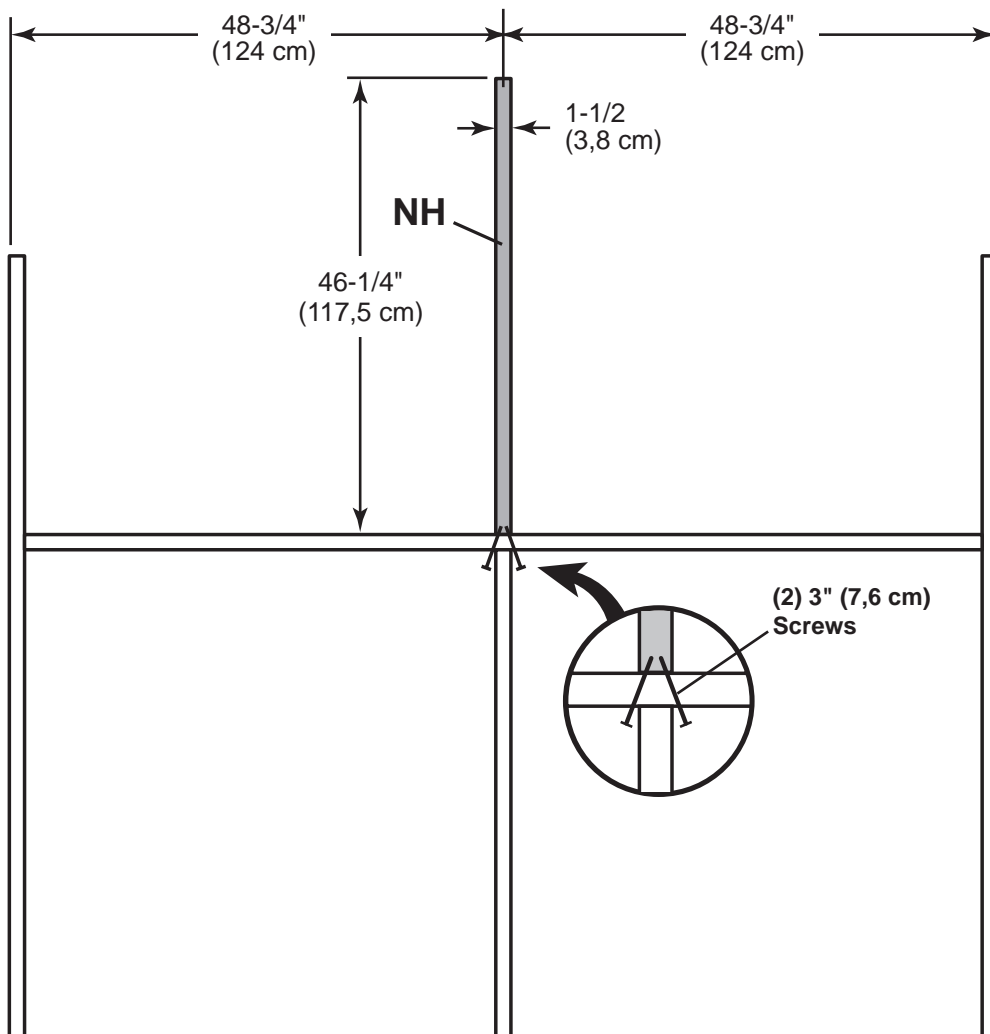
x2  3" (7,6 cm)



- 3 Arrange parts on edge on floor as shown.
Secure with (2) 3" screws at middle connection.

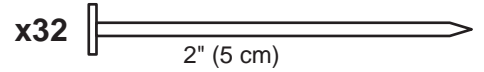
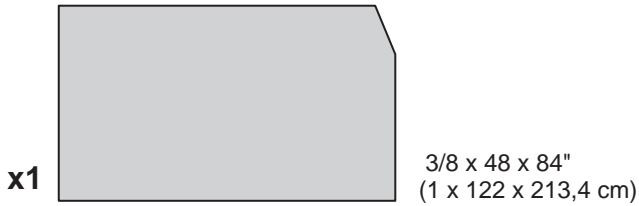


Your back wall frame is now assembled.



BACK WALL PANELS

PARTS REQUIRED:

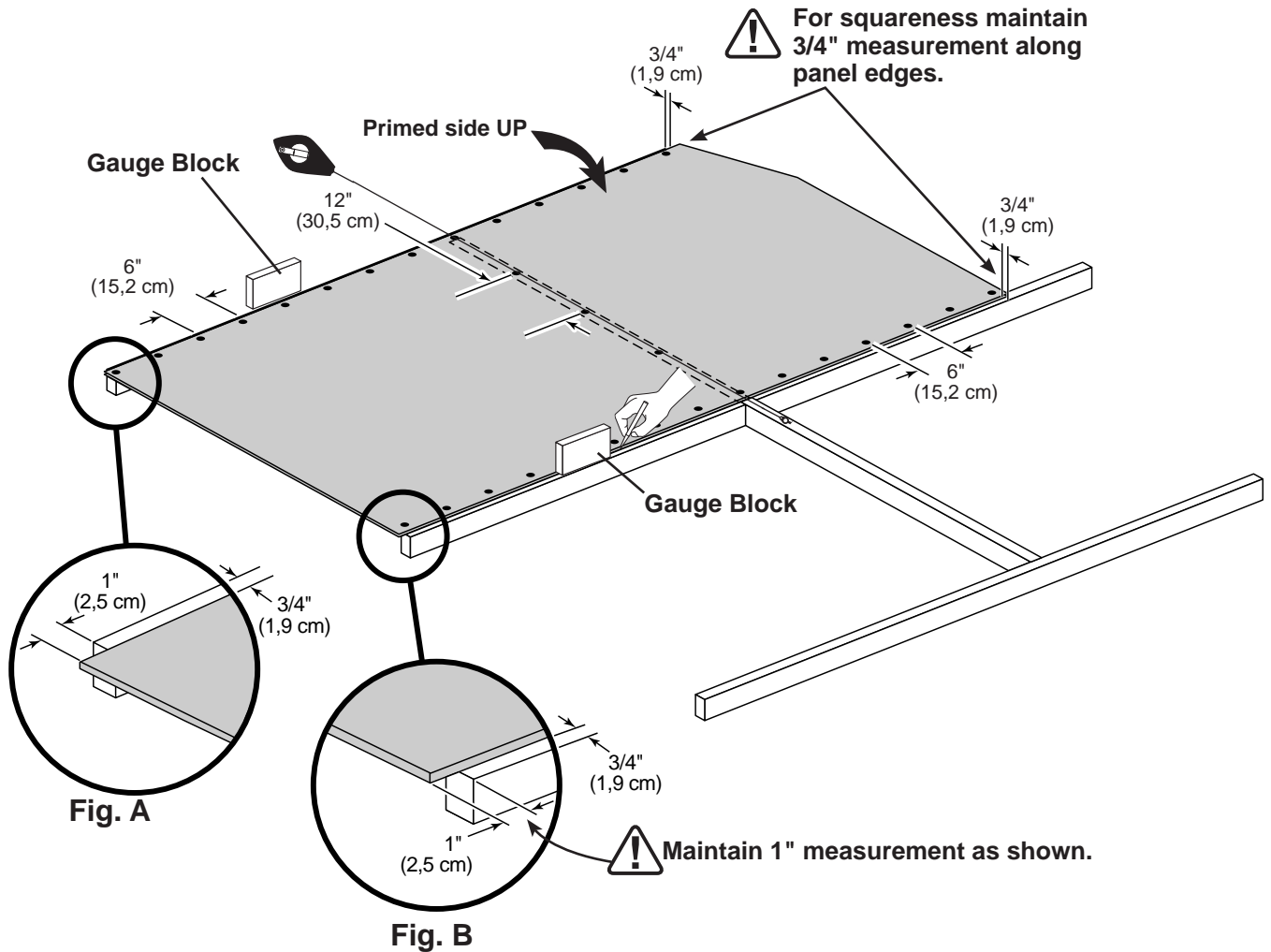


✓ **BEGIN**

1 Place **LEFT** panel on back frame as shown with primed side facing up.

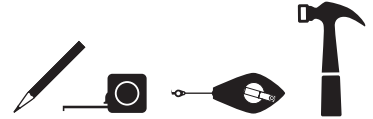
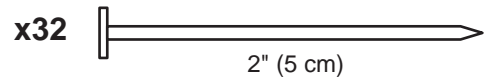
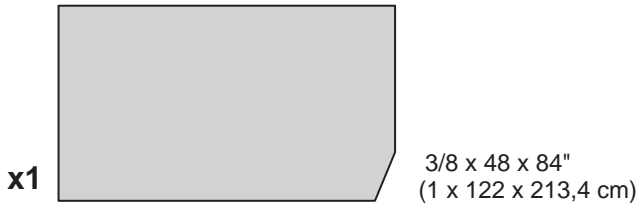
Use a 3/4" gauge block at edges of panel.

Secure with 2" nails spaced 6" apart on edges and 12" apart inside panel.



BACK WALL PANELS

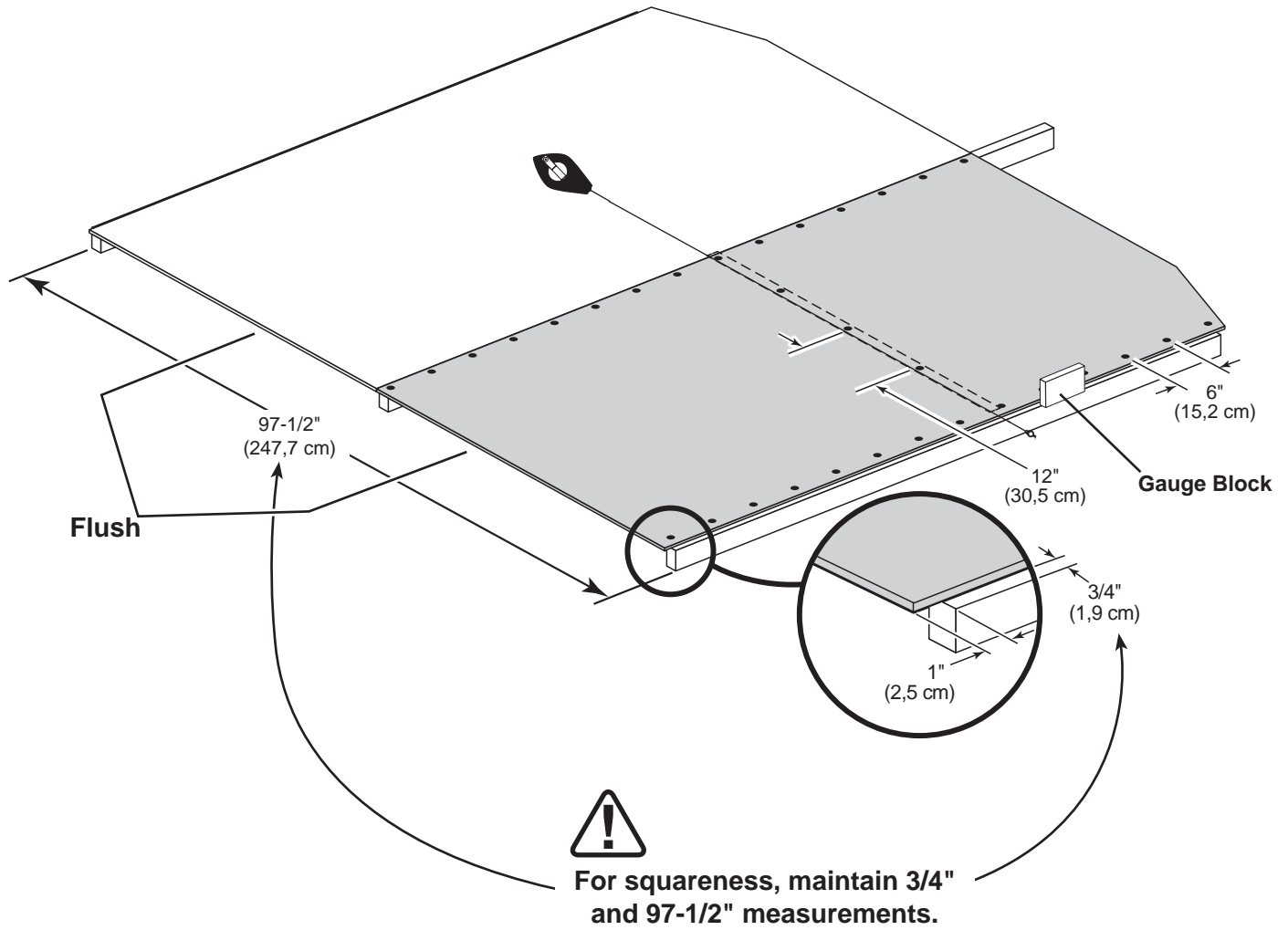
PARTS REQUIRED:



2 Place **RIGHT** panel on back frame as shown with primed side facing up.

Use a $3/4"$ gauge block at edges of panel.



Secure with 2" nails spaced 6" apart on edges and 12" apart inside panel.

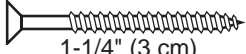


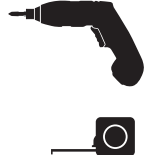
Your back wall panels are secured to the framing.

WING WALL PANELS

PARTS REQUIRED:

- x2  RIGHT
- x2  LEFT
- x4 **OY**
2 x 3 x 72" (5 x 7,6 x 183 cm)

x32  1-1/4" (3 cm)



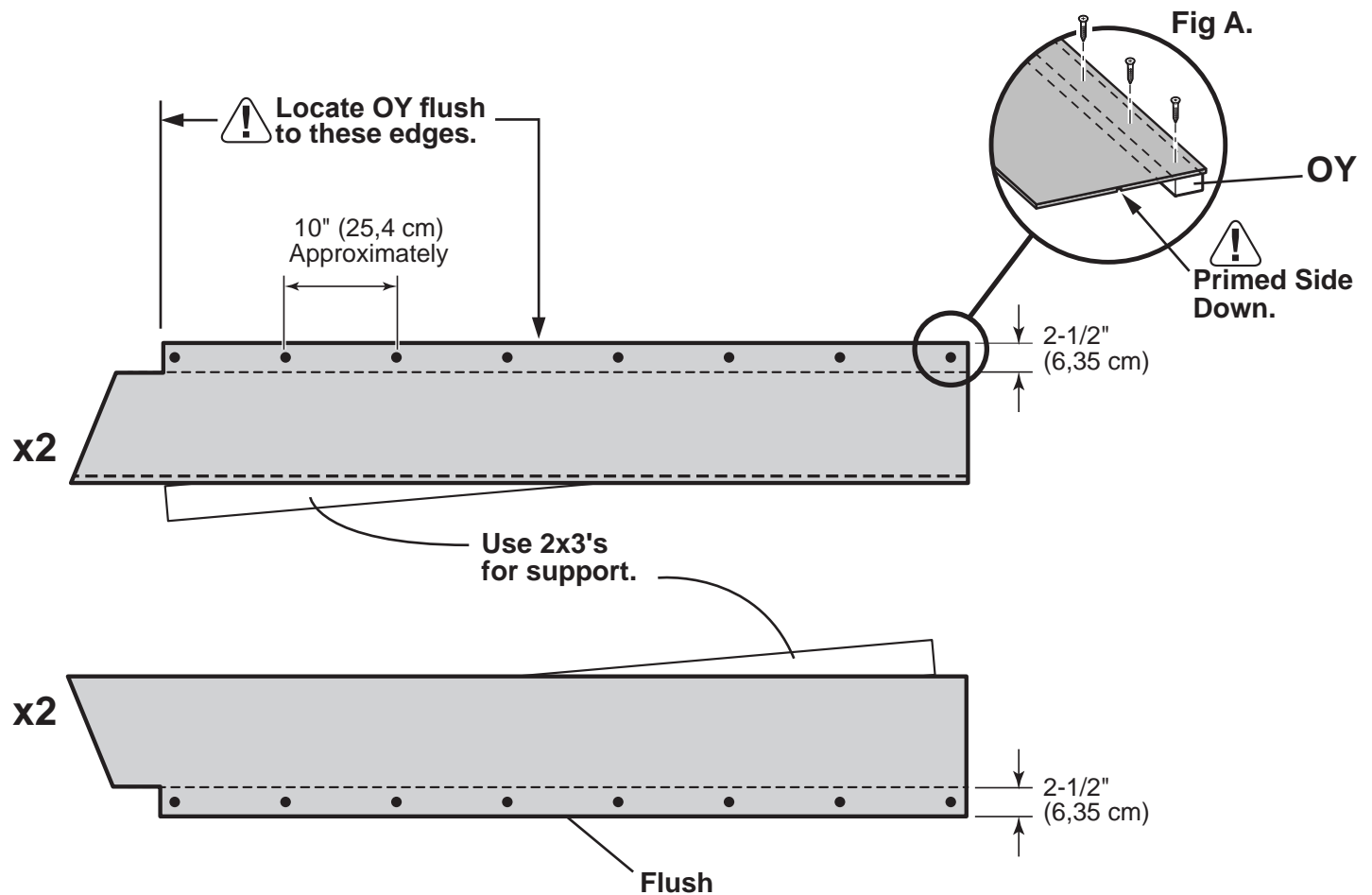
You will assemble (2) right and (2) left wing walls.

✓ BEGIN

- 1 Place **OY** on floor.  Place a wing wall panel primed side down onto **OY** (Fig. A) and flush to panel edges as shown.
- 2 Secure panel flush to edges with (8) 1-1/4 screws spaced 10" apart.

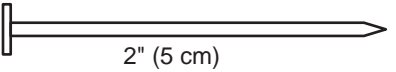
You have finished building (2) sets of wing wall assemblies.

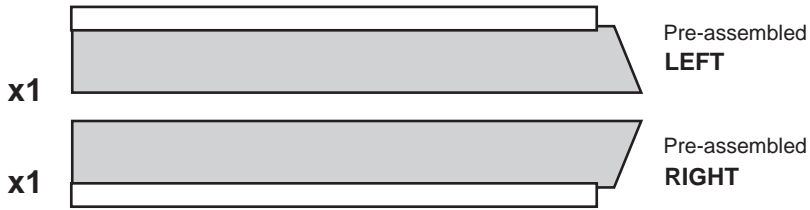
Set (1) **LEFT** and (1) **RIGHT** wing walls aside. Continue building your back wall.



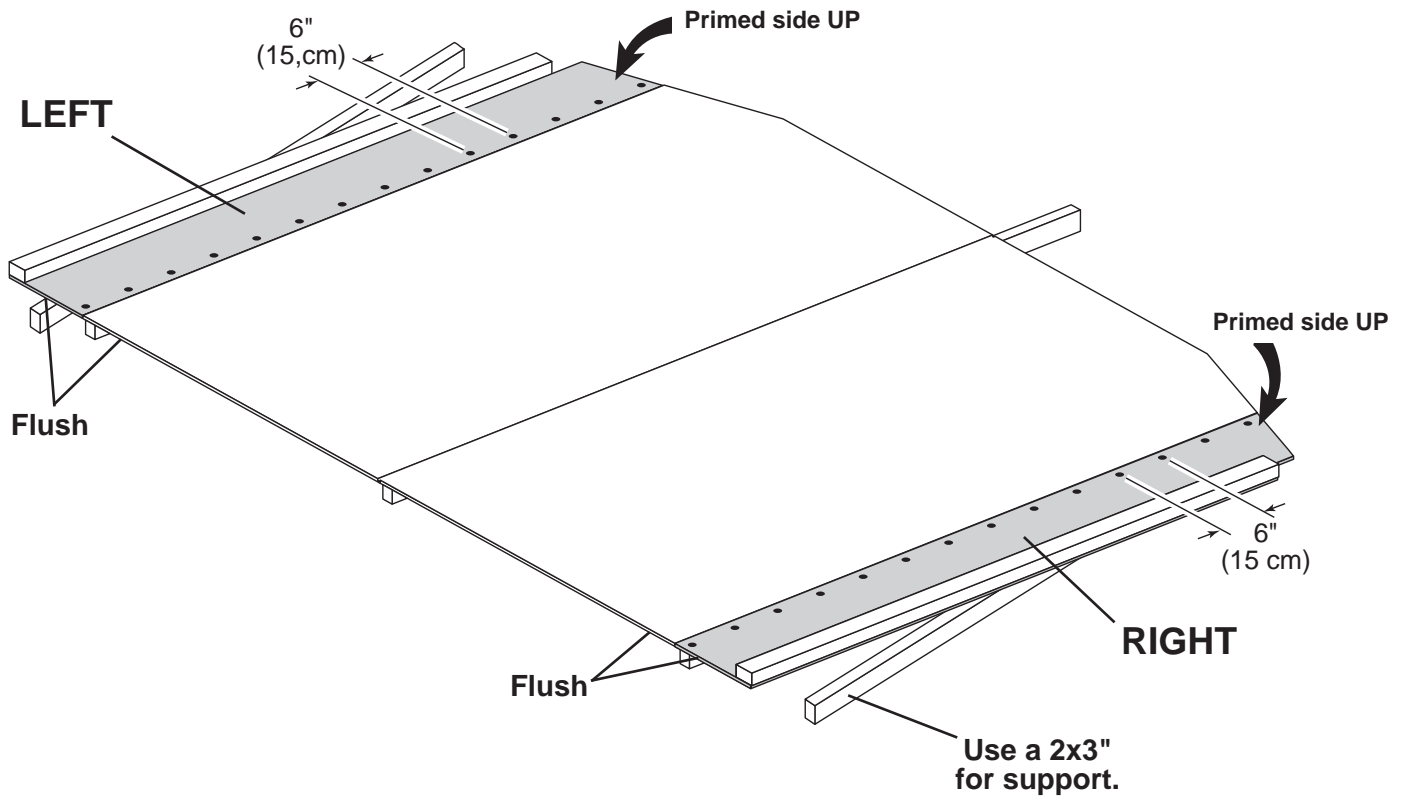
BACK WALL PANELS

PARTS REQUIRED:

x24  2" (5 cm)



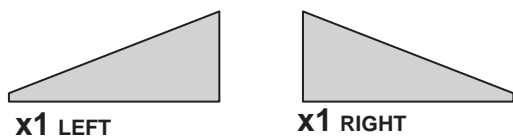
- 3 Place wing wall assemblies on frame with bottom of panels flush.
Secure wing wall assemblies to back wall frame with 2" nails spaced 6" apart.



Your wing walls are now installed.

BACK WALL GABLE PANELS

PARTS REQUIRED:



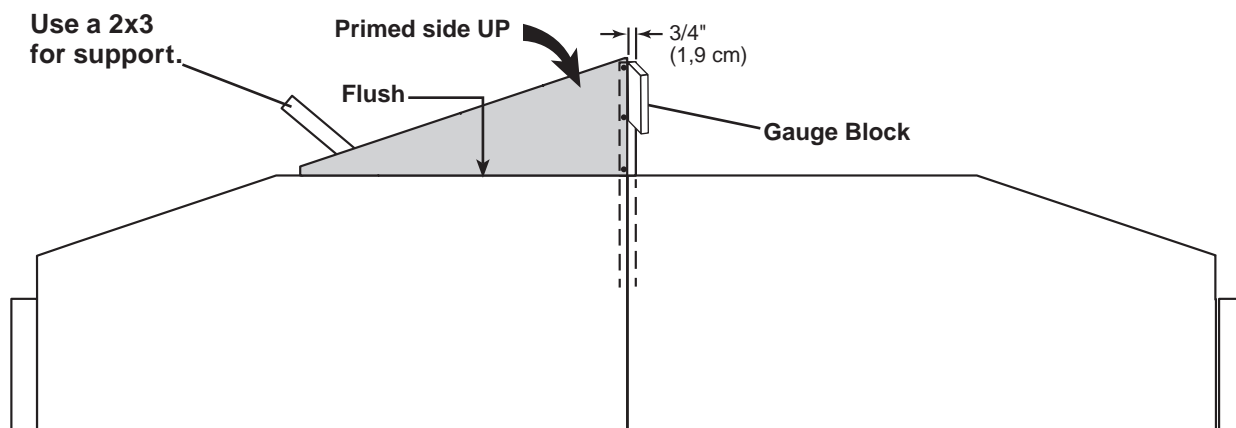
GAA
3/4" GAUGE
BLOCK

x6 2" (5 cm) x6

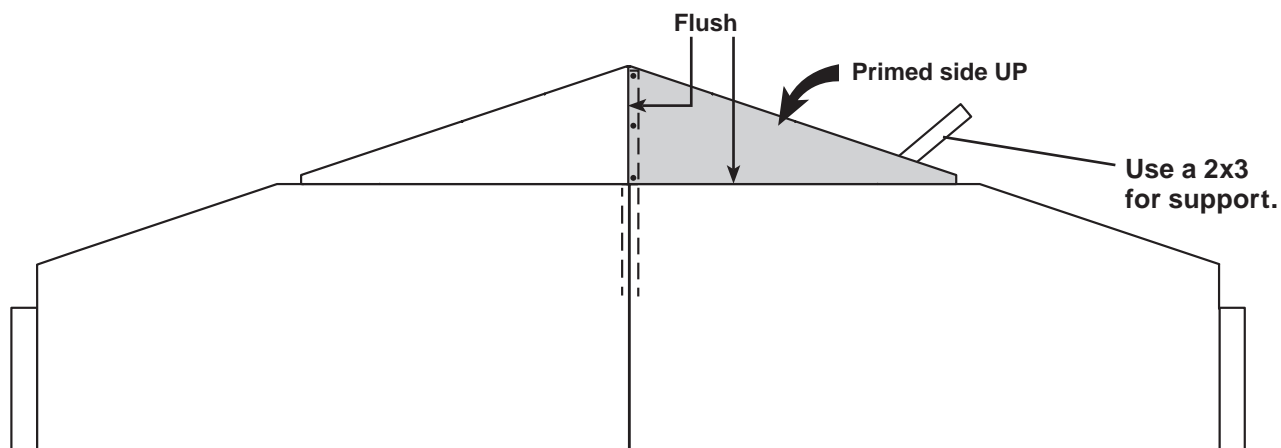


✓ BEGIN

- 1 Place left gable panel onto frame primed side up and flush to left panel.
- 2 Use a 3/4" gauge block at edge of panel. Secure with 2" nails along edge as shown.



- 3 Place right gable panel onto frame primed side up and flush to left panel.
- 4 Secure panels with 2" nails along edge, as shown.



You have finished building your back wall.

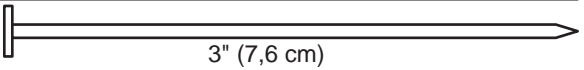
FRONT WALL FRAME

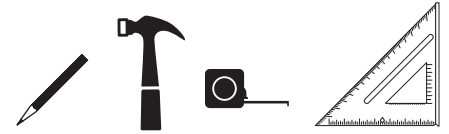
PARTS REQUIRED:

x1 **LT**
2 x 3 x 22-1/8" (5 x 7,6 x 56 cm)

x2 **PB**
2 x 3 x 77" (5 x 7,6 x 196 cm)

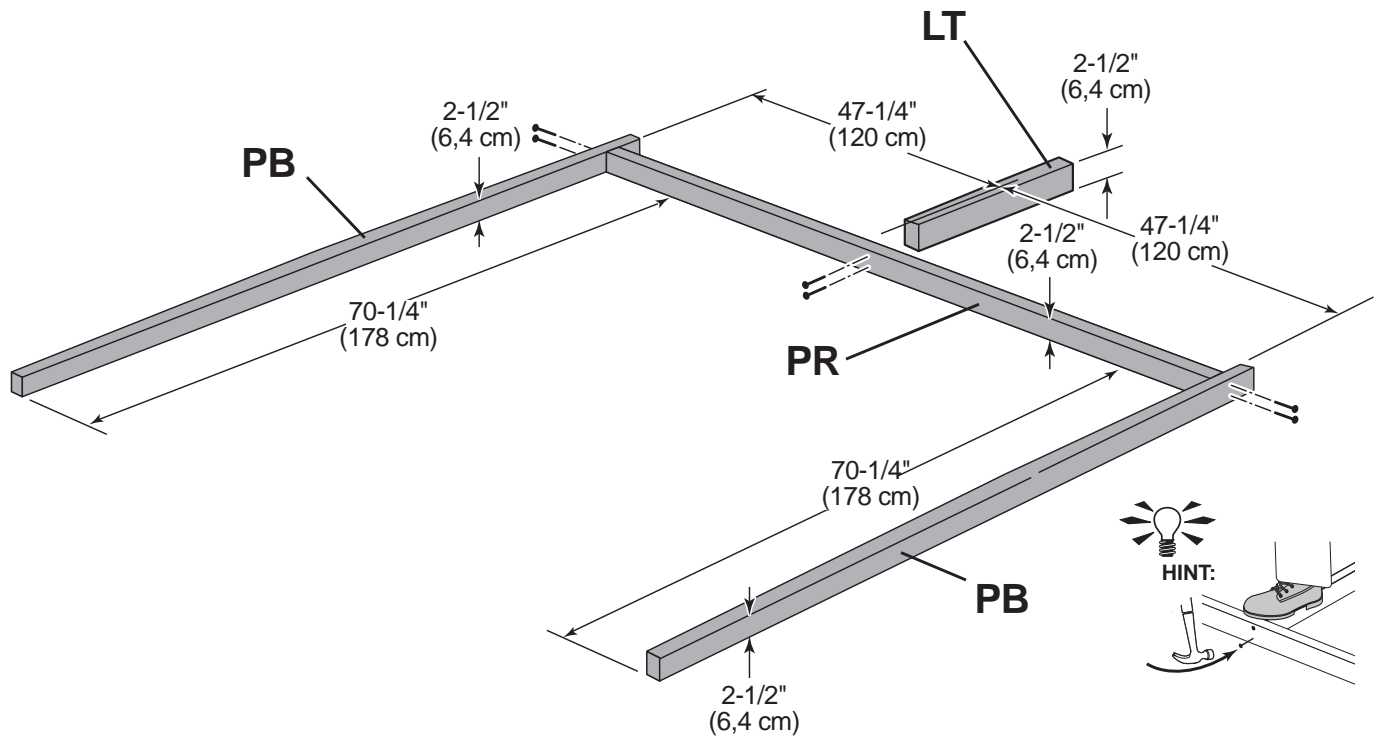
x1 **PR**
2 x 3 x 94-1/2" (5 x 7,6 x 240 cm)

x6  3" (7,6 cm)



✓ BEGIN

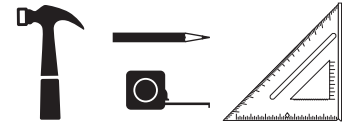
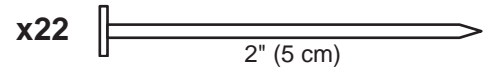
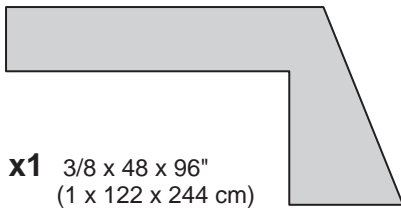
- 1 Arrange (2) **PB**, (1) **PR** and (1) **LT** on edge on floor.
Secure (2) **PB** to **PR** with (2) 3" nails at each end.
- 2 Ensure **LT** is centered with **PR** and nail in place with (2) 3" nails.



You have finished building your front wall frame.

FRONT WALL PANELS

PARTS REQUIRED:

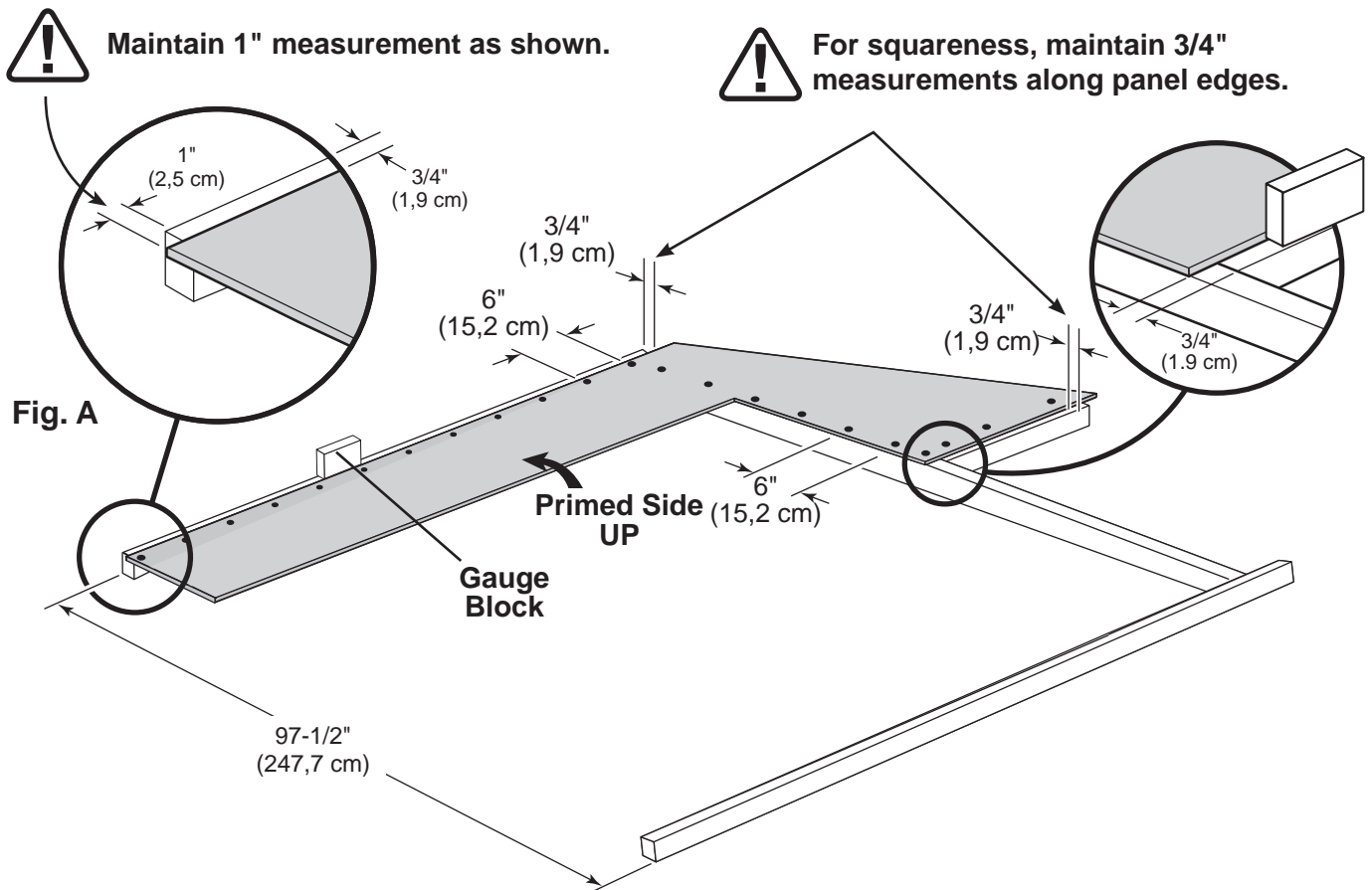


✓ BEGIN

- 1 Place **LEFT** panel on front frame as shown with primed side up.

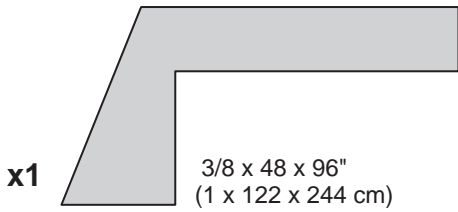
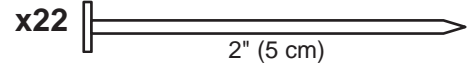
Use a 3/4" gauge block on edges of panel.

Secure panel to frame with 2" nails spaced 6" apart.



FRONT WALL PANELS

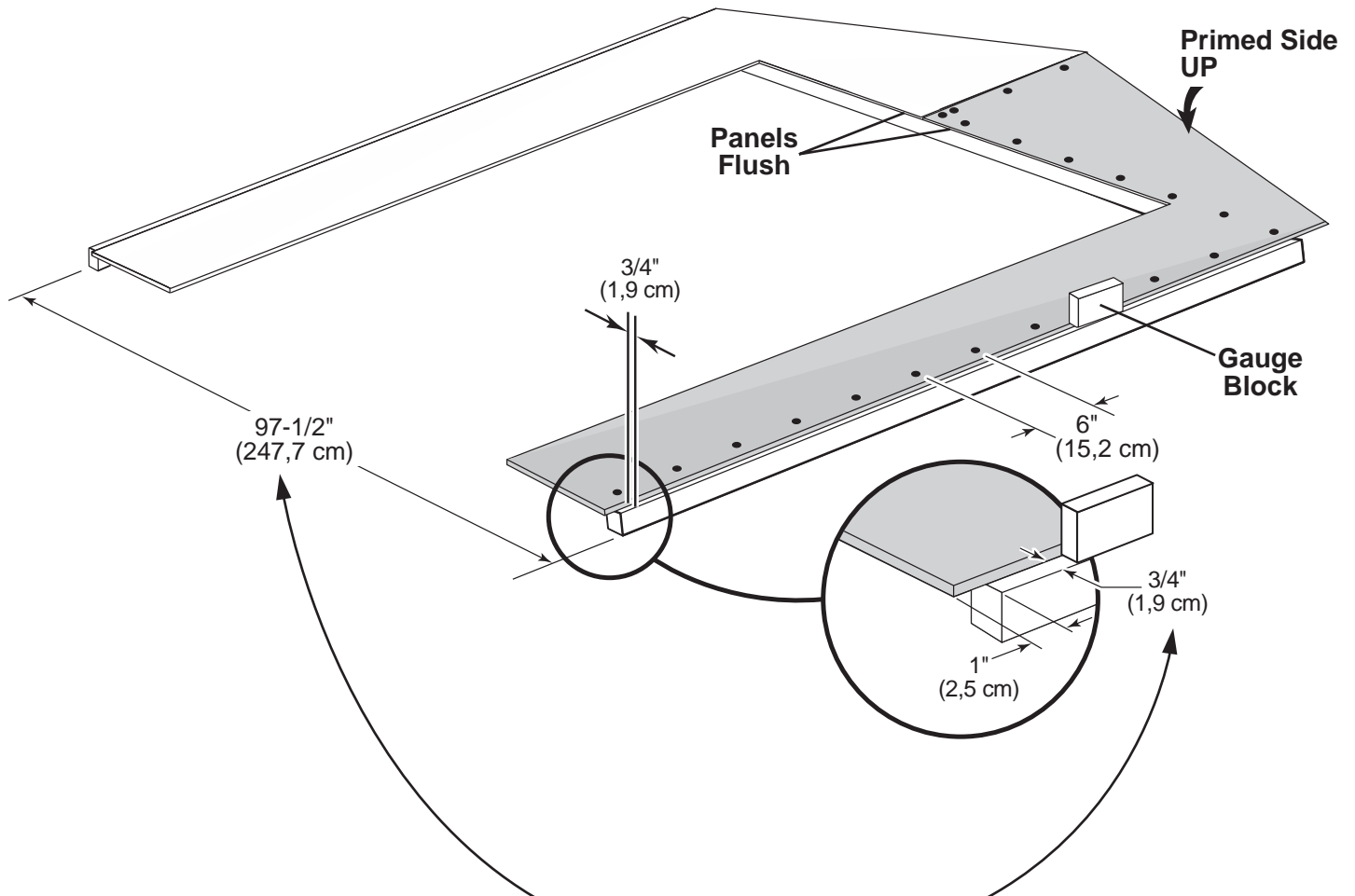
PARTS REQUIRED:



2 Place **RIGHT** panel on front frame primed side up.

Use a 3/4" gauge block on edges of panel.

Secure panel to frame with 2" nails spaced 6" apart.



 For squareness, maintain 3/4" and 97-1/2" measurements.

FRONT WALL PANELS

PARTS REQUIRED:

x1



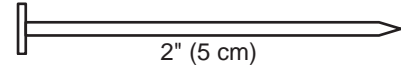
Pre-assembled
LEFT

x1



Pre-assembled
RIGHT

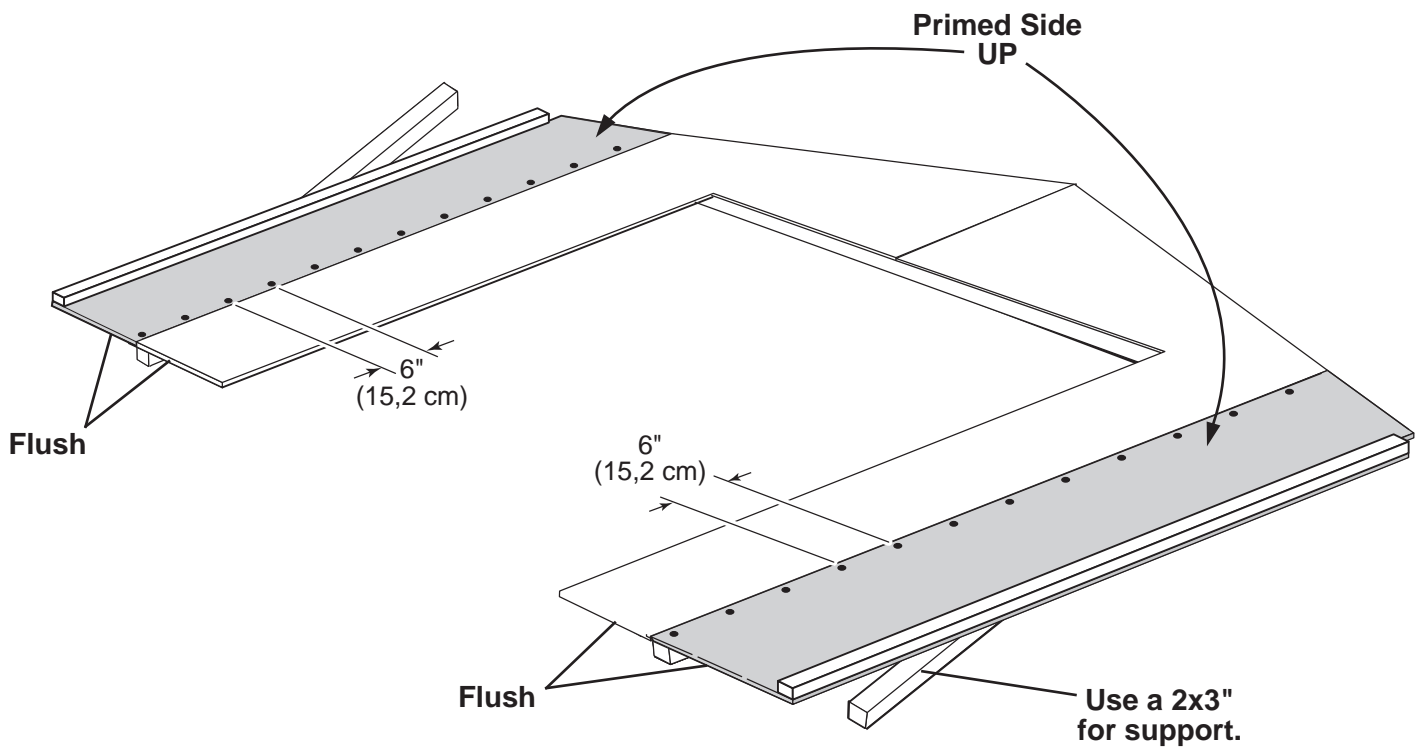
x24



2" (5 cm)



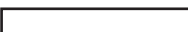
- 3 Place wing wall panels onto frame with bottom of panels flush. Secure wing wall assemblies with 2" nails spaced 6" apart.




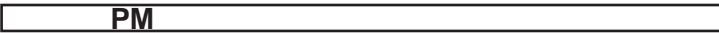
Your front wall is now assembled.

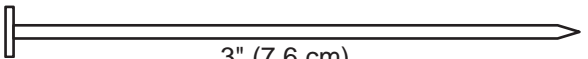
SIDE WALL FRAMES

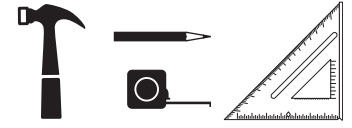
PARTS REQUIRED:

x4 
 7/16 x 2-1/2 x 24-3/4" (1,1 x 6,4 x 62,9 cm)

x6  **OV**
 2 x 3 x 69" (5 x 7,6 x 175 cm)

x2  **PM**
 2 x 3 x 92-5/8" (5 x 7,6 x 235,3 cm)

x14  3" (7,6 cm)

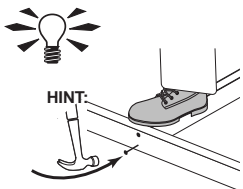
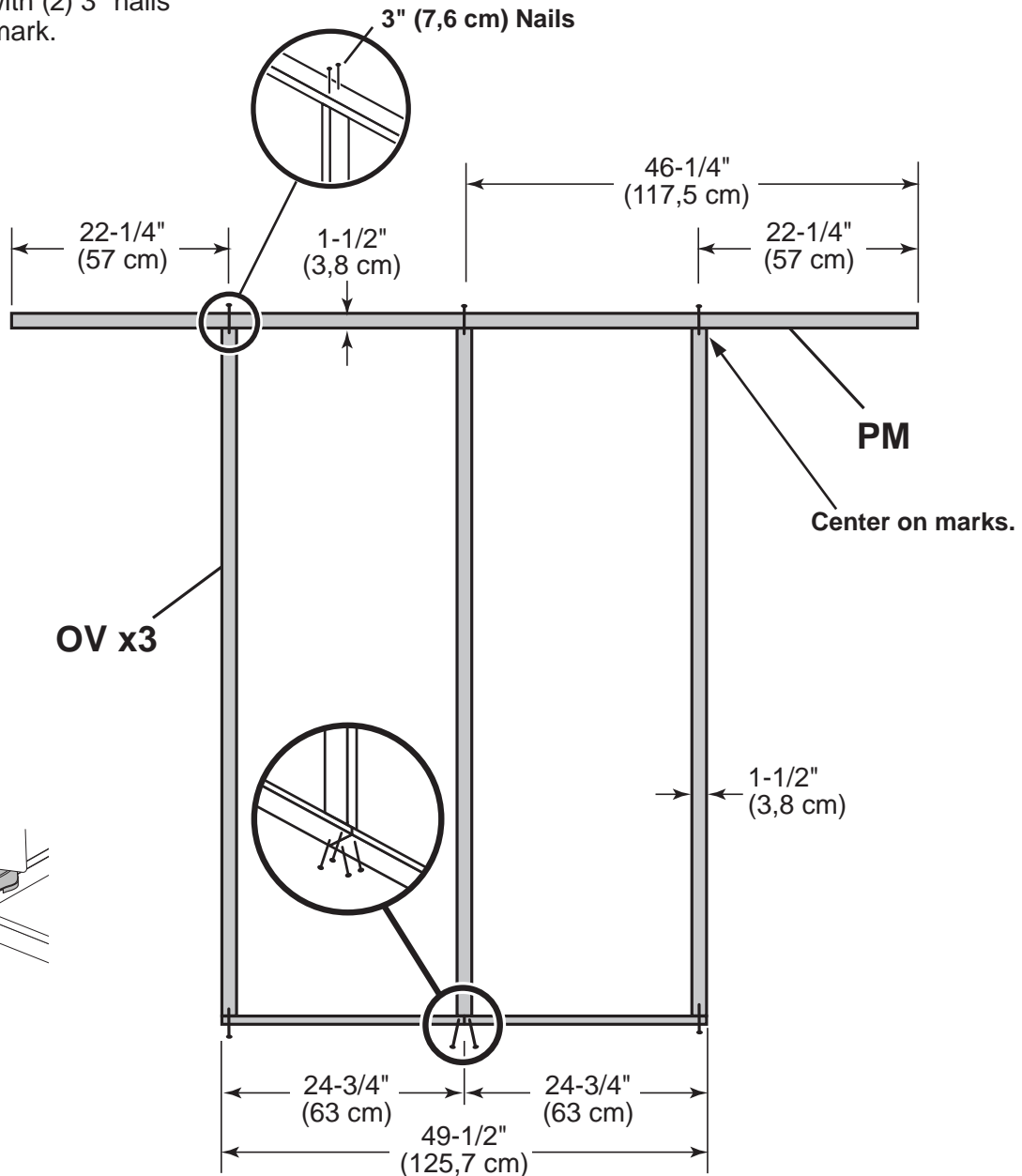


IMPORTANT! You will build (2) identical walls.

✓ BEGIN

- 1** If building 10' x 12' kit, go to page 38. If building 10' x 16' kit, go to page 42.
- 2** If building 10' x 8' kit orient parts on edge on floor. Measure and mark from end of boards.

Secure with (2) 3" nails at each mark.



10' x 8' SIDE WALL FRAME- SOFFIT

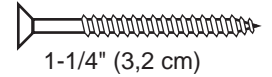
PARTS REQUIRED:

x2

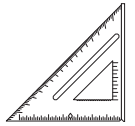



3/8 x 5 x 93-1/4" (0,9 x 12,7 x 236,9 cm)

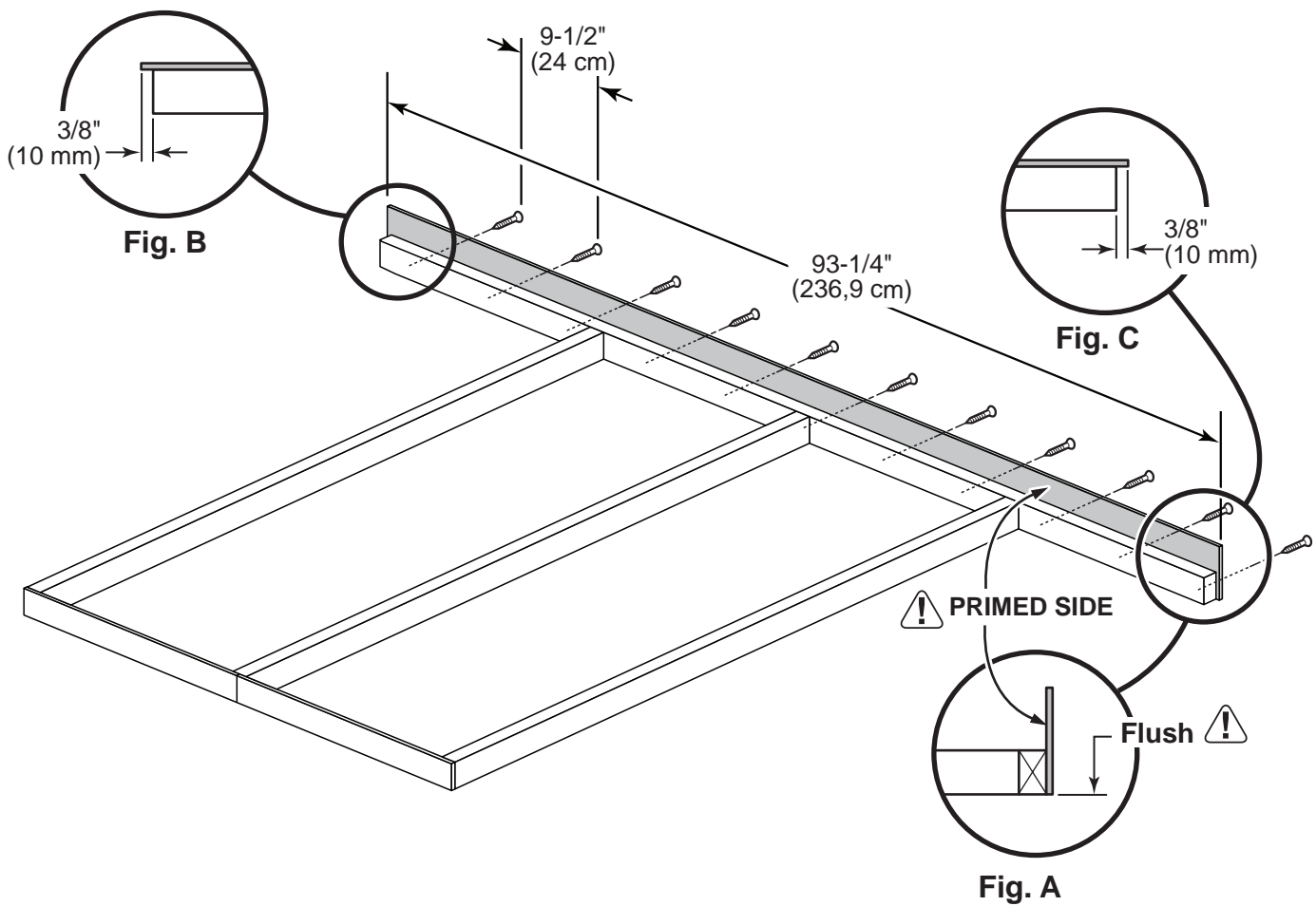
x22



1-1/4" (3,2 cm)

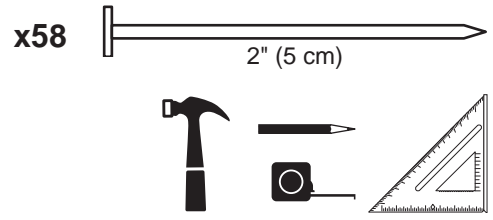
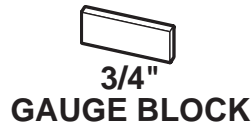
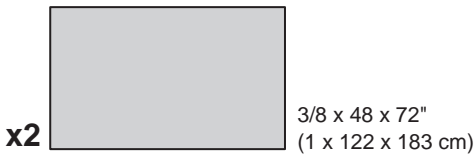


- 4 Place panel on 2 x 3 with primed side against 2 x 3 (**Fig A**)
 **Keep panel flush along entire edge of 2 x 3 top plate (Fig A).**
- 5 Install soffit panel flush to 2 x 3 (**Fig. A**) and with a 3/8" offset at ends (**Fig. B, C**).
Secure with (11) 1-1/4" screws.



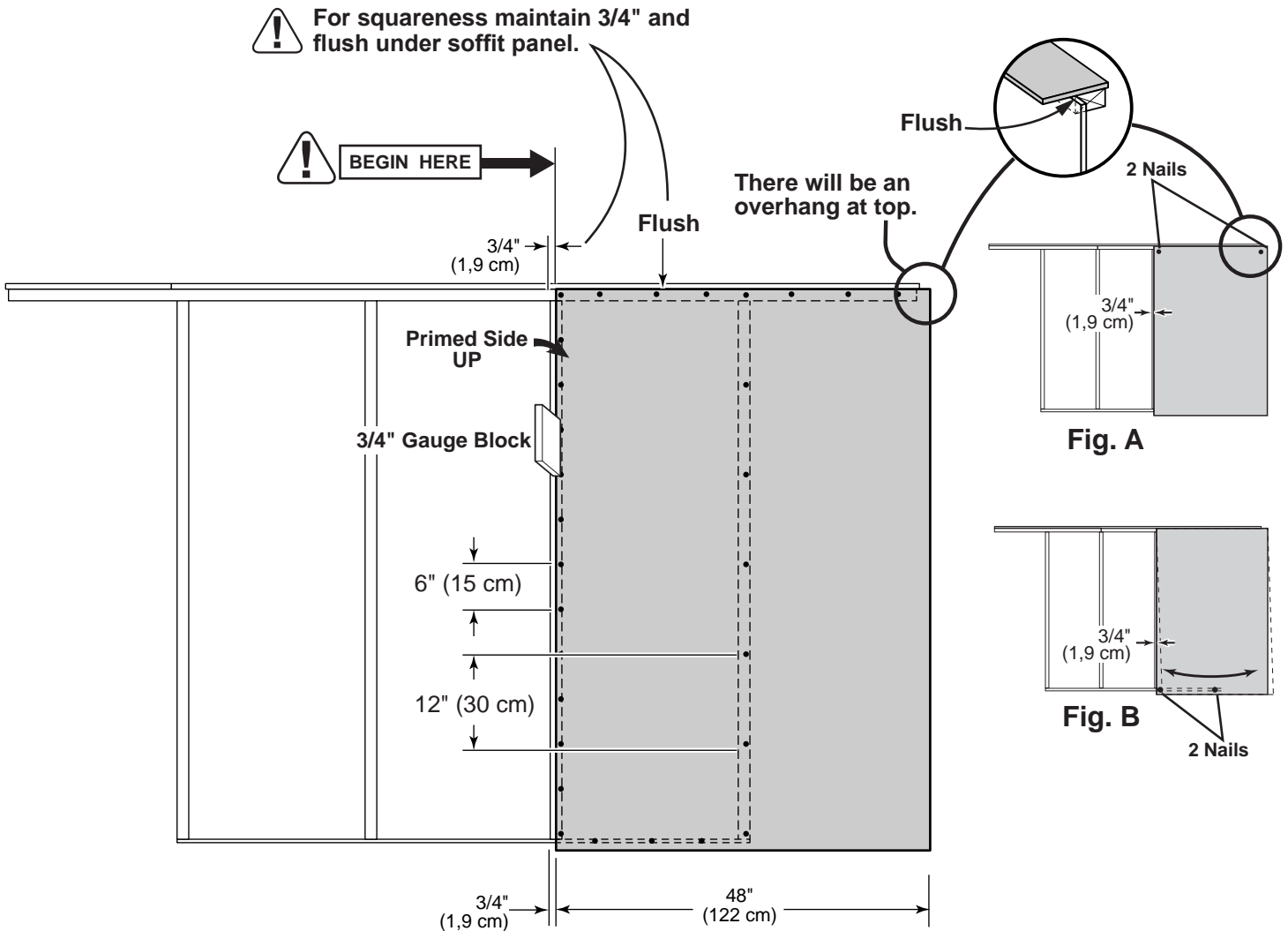
10' x 8' SIDE WALL PANELS

PARTS REQUIRED:



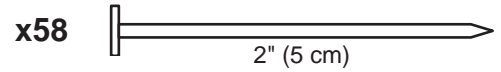
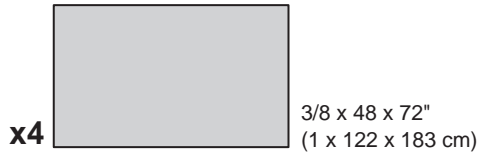
- !** Ensure your wall frame is square by installing (1) panel and squaring frame.
- 6** Place (1) $48" \times 72"$ panel onto wall frame with primed side up as shown. Use the gauge block to mark the $3/4"$ measurement on the wall stud. Locate the panel flush under the soffit panel. Secure panel with (2) $2"$ nails in the corners (**Fig. A**).

- 7** Move to the opposite end. Using the long edge of the panel as a lever move the panel side-to-side until you have a $3/4"$ measurement on the wall stud. Secure corner with (2) $2"$ nails.
- Secure the panel with $2"$ nails spaced $6"$ apart on edges and $12"$ apart inside panel.



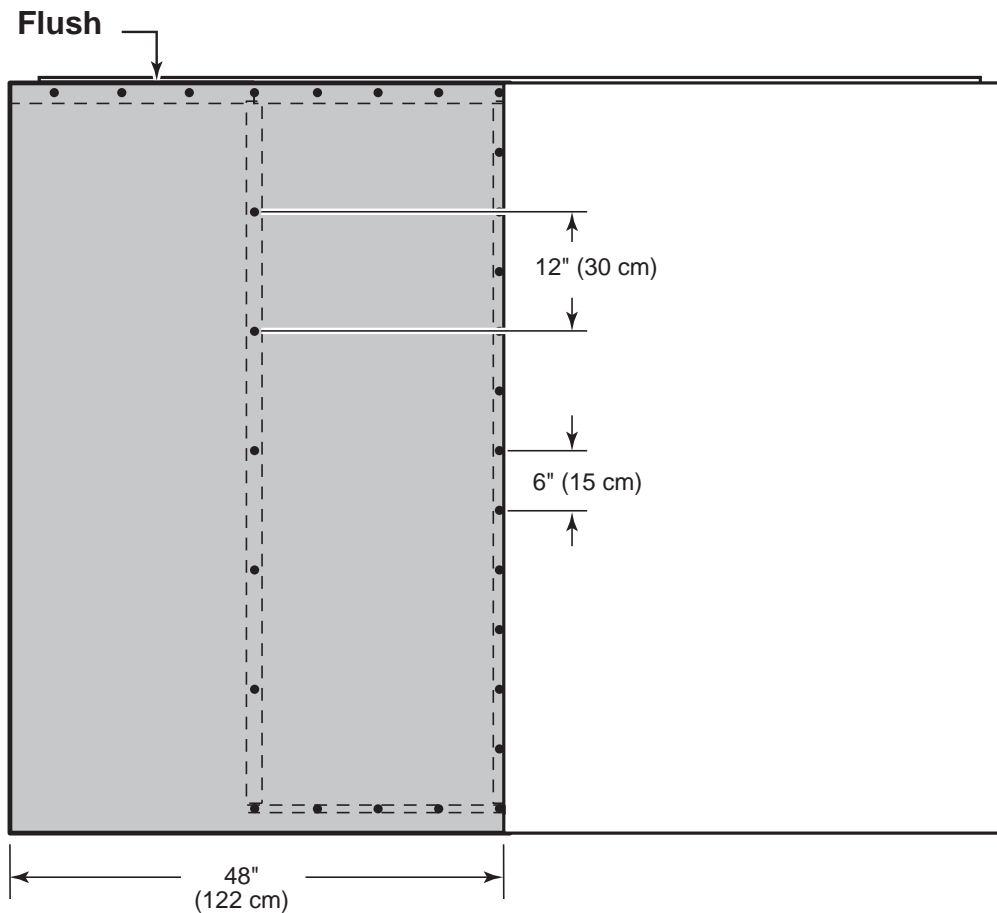
10' x 8' SIDE WALL PANELS

PARTS REQUIRED:

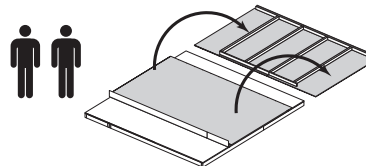


- 8** Place **48" x 72"** panel on frame as shown with primed side facing up.

Secure panel with 2" nails spaced 6" apart on edges and 12" apart inside panel.



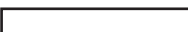
Carefully flip your side wall over.
Repeat steps to assemble your second side wall.

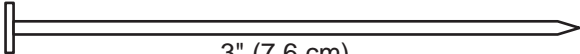




You have finished building both of your side walls. Go to page 46.


10' x 12' SIDE WALL FRAMES

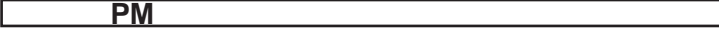
PARTS REQUIRED:

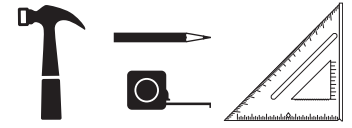
x4 
 7/16 x 2-1/2 x 24-3/4" (1,1 x 6,4 x 62,9 cm)

x28  3" (7,6 cm)
 x2 
 7/16 x 2-1/2 x 48 (1,1 x 6,4 x 122 cm)

x6  **OV**
 2 x 3 x 69" (5 x 7,6 x 175 cm)

x2  **NK**
 2 x 3 x 48" (5 x 7,6 x 122 cm)

x2  **PM**
 2 x 3 x 92-5/8" (5 x 7,6 x 235,3 cm)

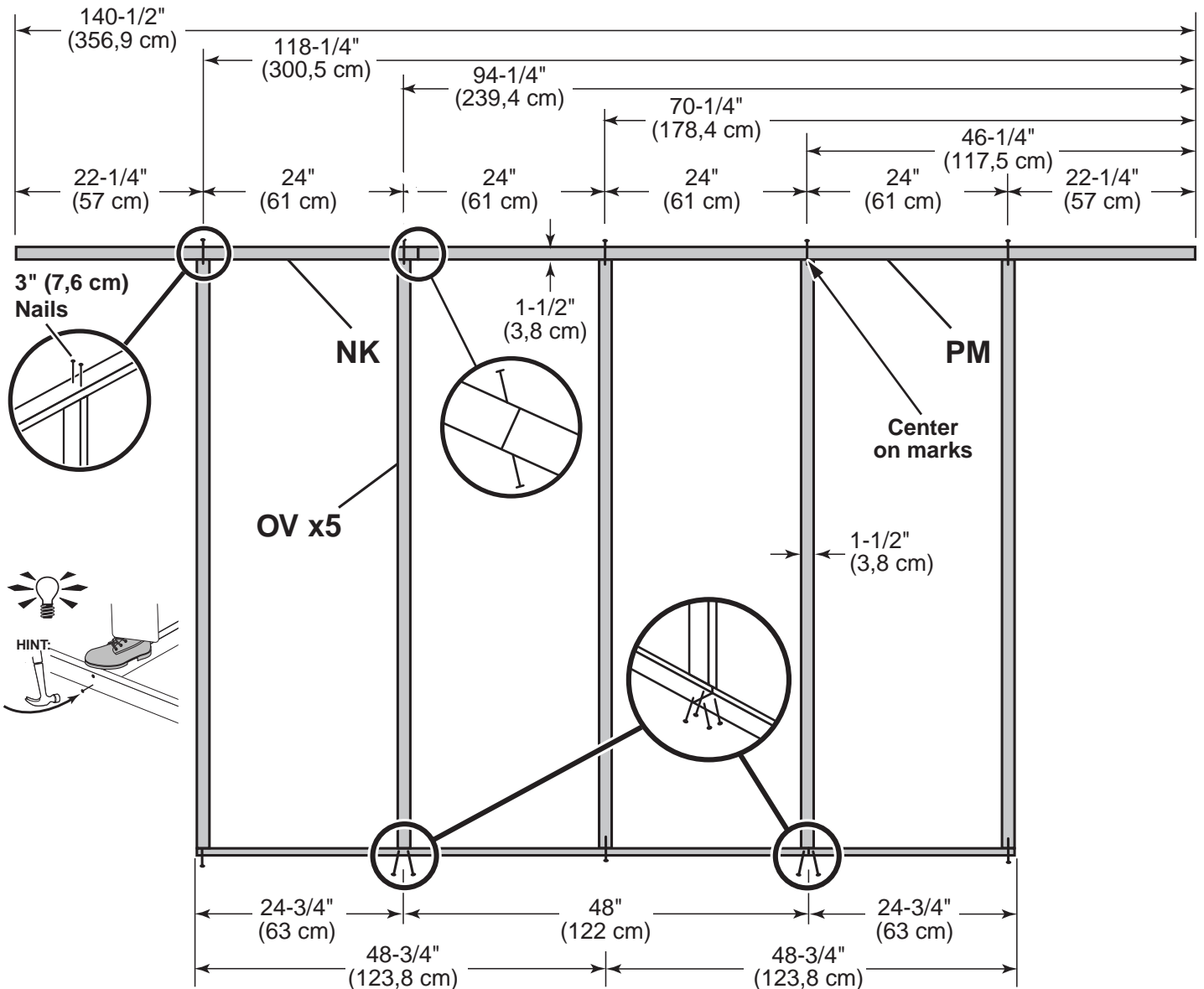


✓ BEGIN

- 1** If building 10' x 16' kit, go to page 42.
- 2** If building 10' x 12' kit, arrange parts on edge on floor. Measure and mark from end of boards.

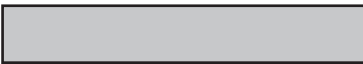
IMPORTANT! You will build (2) walls the same.


Secure with (2) 3" nails at each mark.




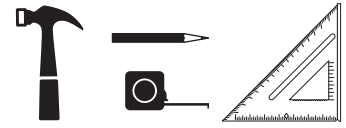
10' x 12' SIDE WALL FRAME- SOFFIT

PARTS REQUIRED:

x2 
3/8 x 5 x 48" (0,9 x 12,7 x 122 cm)

x2 
3/8 x 5 x 93-1/4" (0,9 x 12,7 x 236,9 cm)

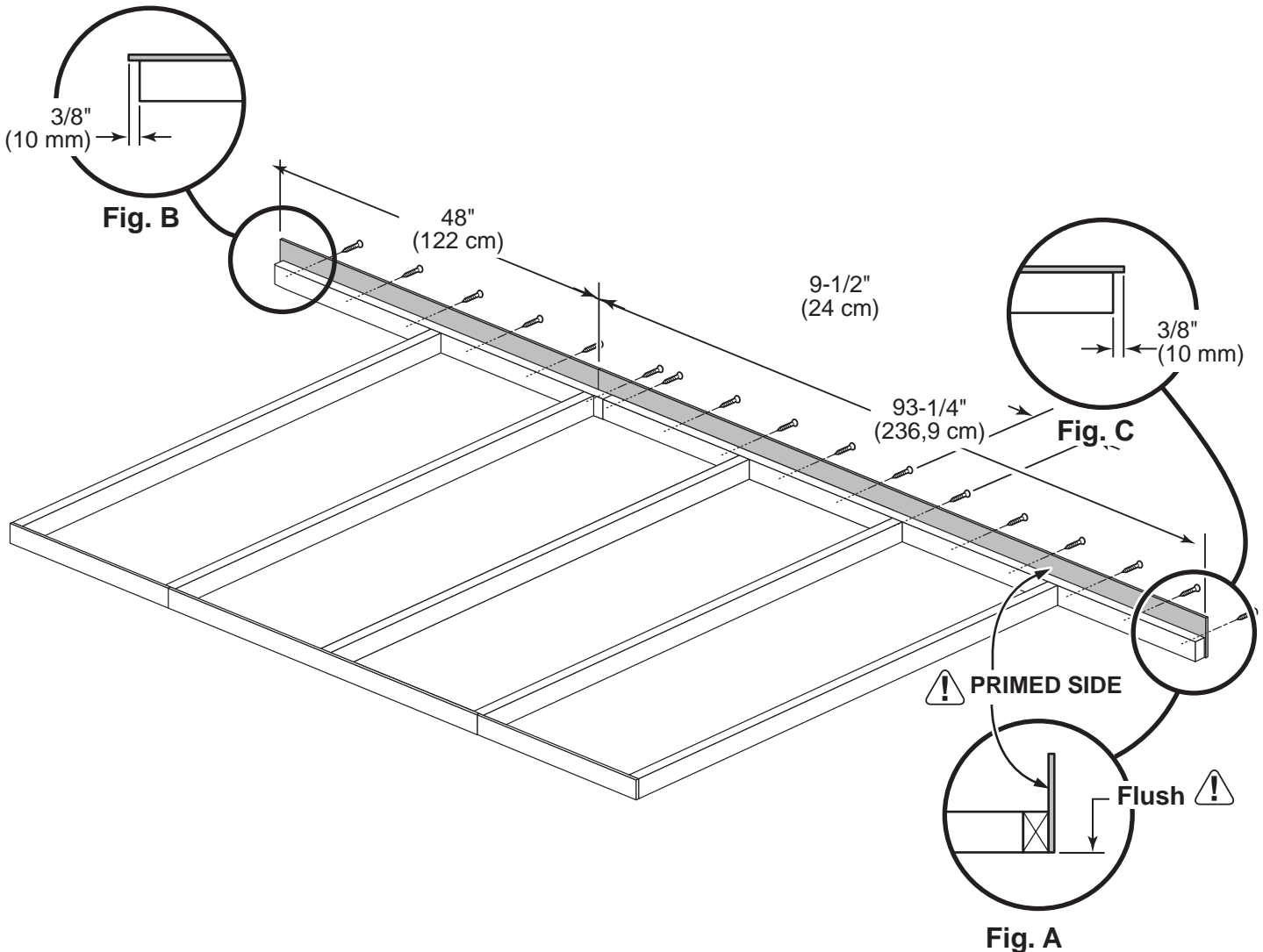
x32 
1-1/4" (3,2 cm)



3 Place panels onto 2 x 3 with primed side against 2 x 3 as shown (**Fig A**)

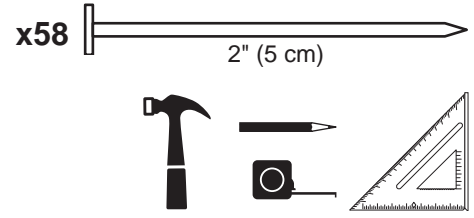
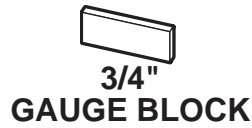
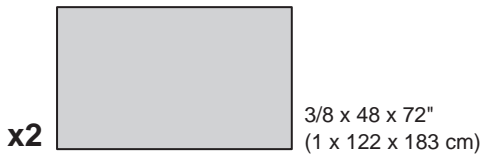
 **Keep panel flush along entire edge of 2 x 3 top plate (Fig A).**

4 Install soffit panels flush to 2 x 3 (**Fig A**) and with 3/8" offset at ends (**Fig. B, C**).
Secure with (14) 1-1/4" screws.



10' x 12' SIDE WALL PANELS

PARTS REQUIRED:



! Ensure your wall frame is square by installing (1) panel and squaring frame.

6 Install (1) 48" x 72" panel onto wall frame with primed side up as shown.

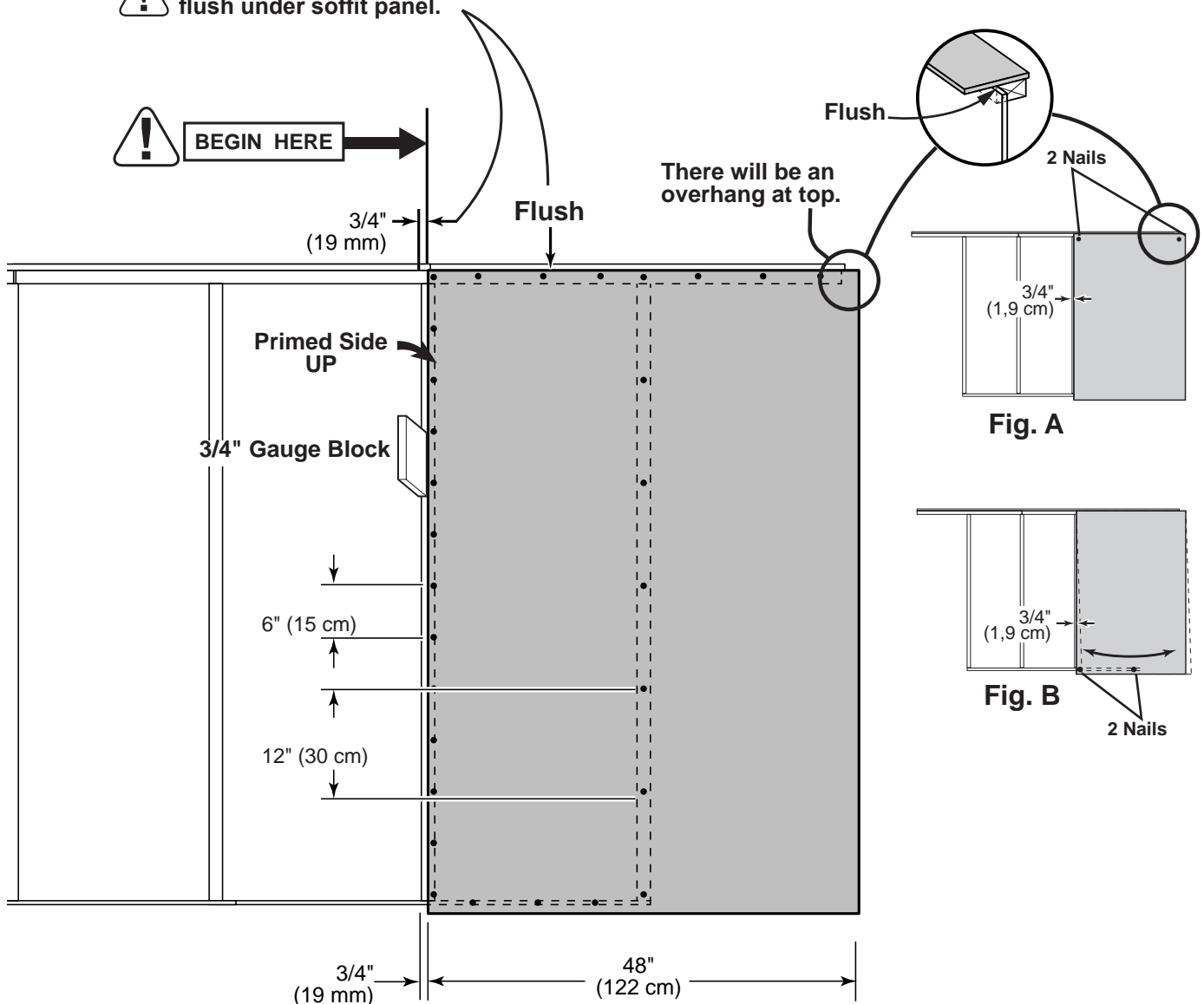
Use the gauge block to mark the 3/4" measurement on the wall stud. Locate the panel flush under the soffit panel. Secure panel with (2) 2" nails in the corners (**Fig. A**).

7 Move to the opposite end. Using the long edge of the panel as a lever move the panel side-to-side until you have a 3/4" measurement on the wall stud. Secure corner with (2) 2" nails.

8 Secure the panel with 2" nails spaced 6" apart on edges and 12" apart inside panel.

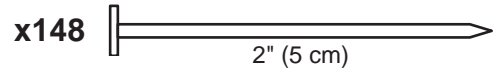
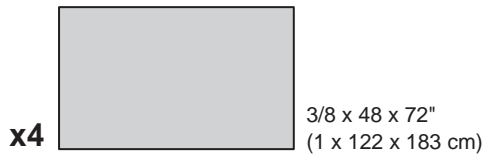
! For squareness maintain 3/4" and flush under soffit panel.

! BEGIN HERE →



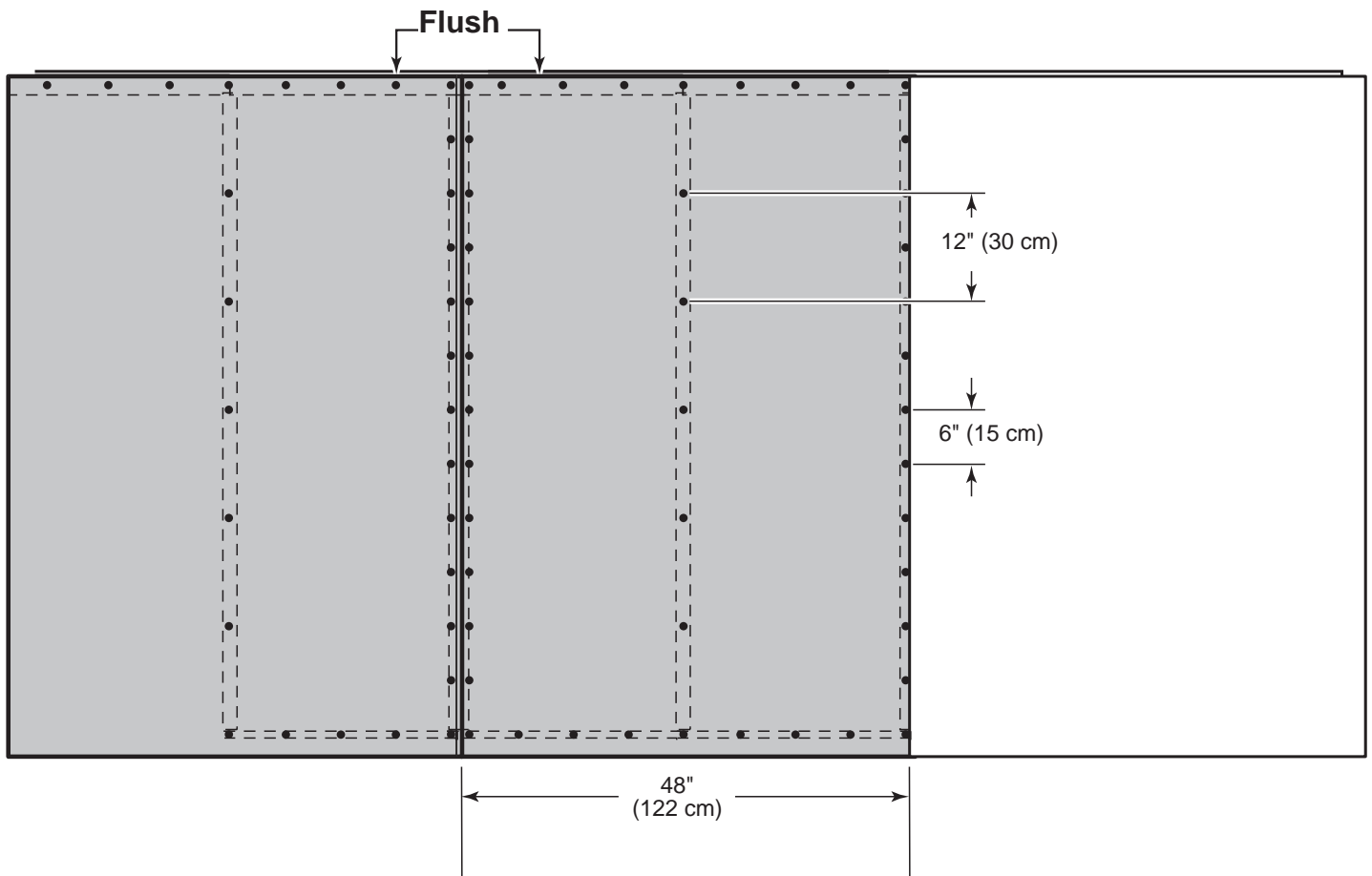
10' x 12' SIDE WALL PANELS

PARTS REQUIRED:

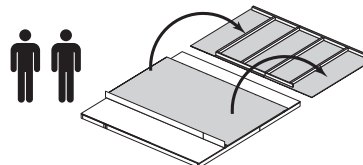


9 Place (2) 48" x 72" panels flush to installed panels, as shown.

Secure with 2" nails spaced 6" apart on edges and 12" apart inside panel.




Carefully flip your side wall over.
Repeat steps to assemble your second side wall.





You have finished building both of your side walls. Go to page 46.

10' x 16' SIDE WALL FRAMES


PARTS REQUIRED:

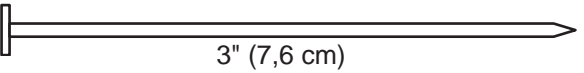
x4  (1,1 x 6,4 x 62,9 cm)

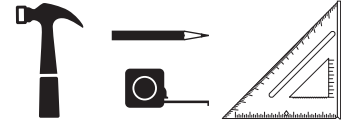
x4  (1,1 x 6,4 x 122 cm)

x6 **OV**  (5 x 7,6 x 175 cm)

x2 **NK**  (5 x 7,6 x 122 cm)

x2 **PM**  (5 x 7,6 x 235,3 cm)

x84  3" (7,6 cm)

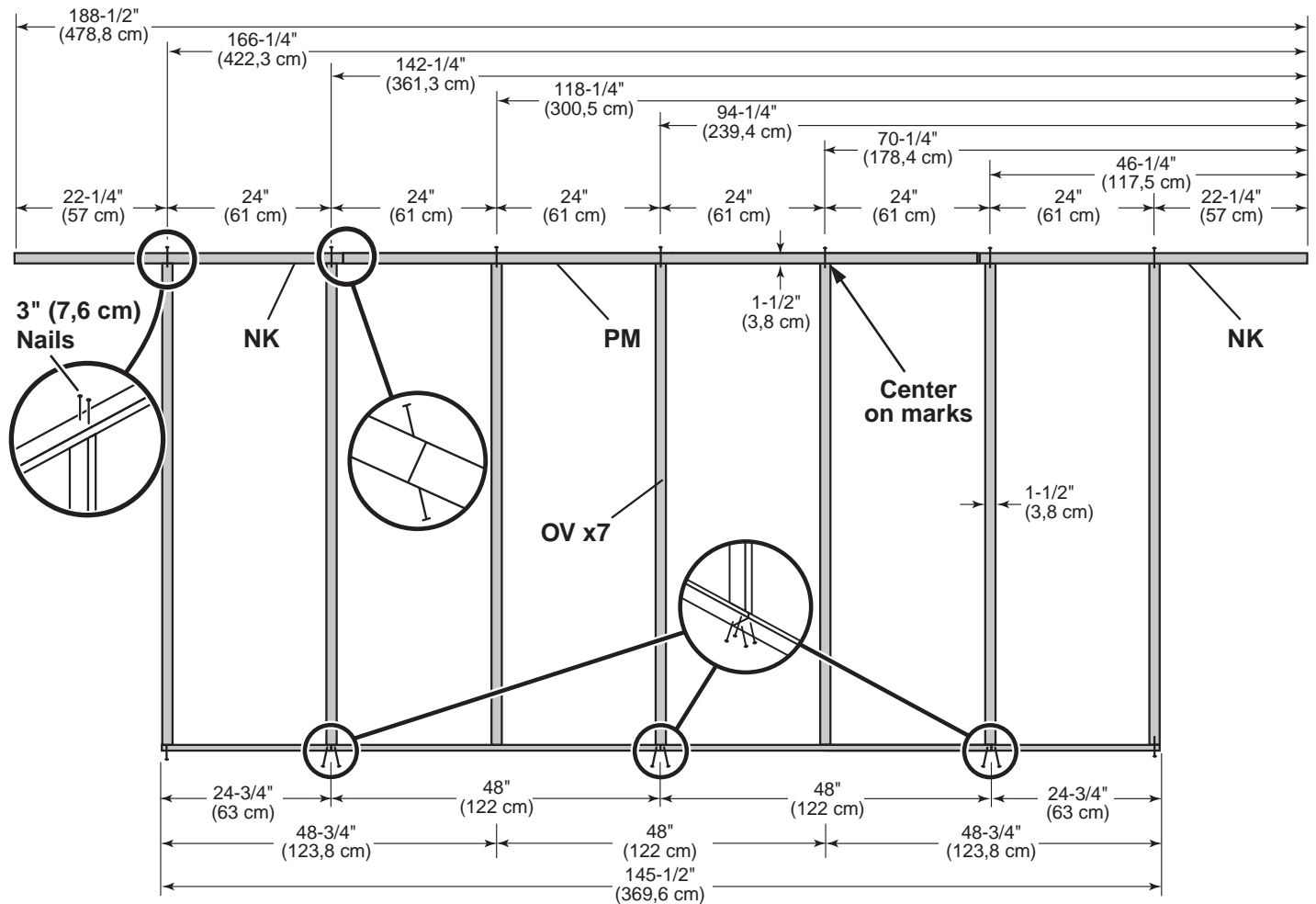
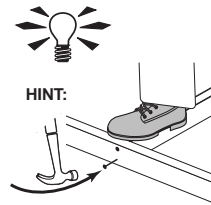


✓ **BEGIN**

1 Measure and mark from end of boards.

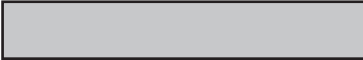
IMPORTANT! You will build (2) walls the same.

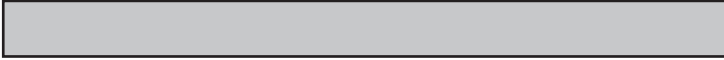
Secure with (2) 3" nails at each mark.




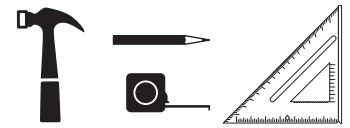
10' x 16' SIDE WALL FRAME- SOFFIT

PARTS REQUIRED:

x4 
3/8 x 5 x 48" (0,9 x 12,7 x 122 cm)

x2 
3/8 x 5 x 93-1/4" (0,9 x 12,7 x 236,9 cm)

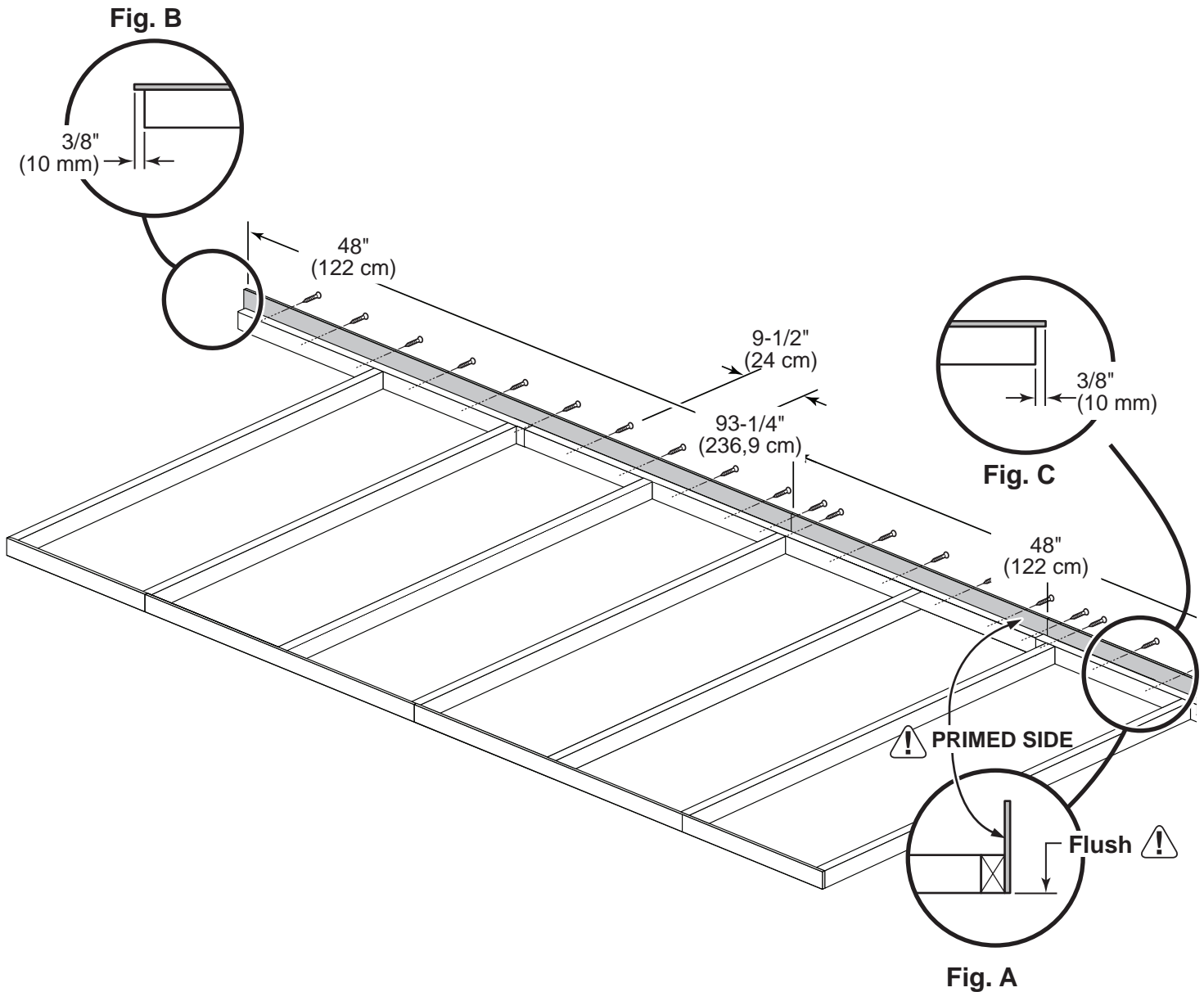
x38 
1-1/4" (3,2 cm)



2 Place panels onto 2 x 3 with primed side against 2 x 3 as shown (Fig A)

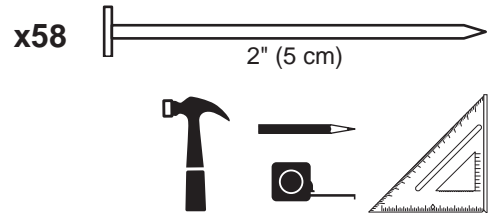
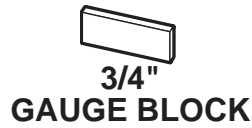
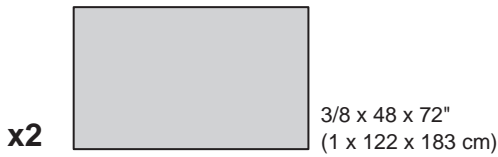
! Keep panel flush along entire edge of 2 x 3 top plate (Fig A).

3 Install soffit panels flush to 2 x 3 (Fig A) and with 3/8" offset at ends (Fig. B, C).
Secure with (19) 1-1/4" screws.



10' x 16' SIDE WALL PANELS

PARTS REQUIRED:



! Ensure your wall frame is square by installing (1) panel and squaring frame.

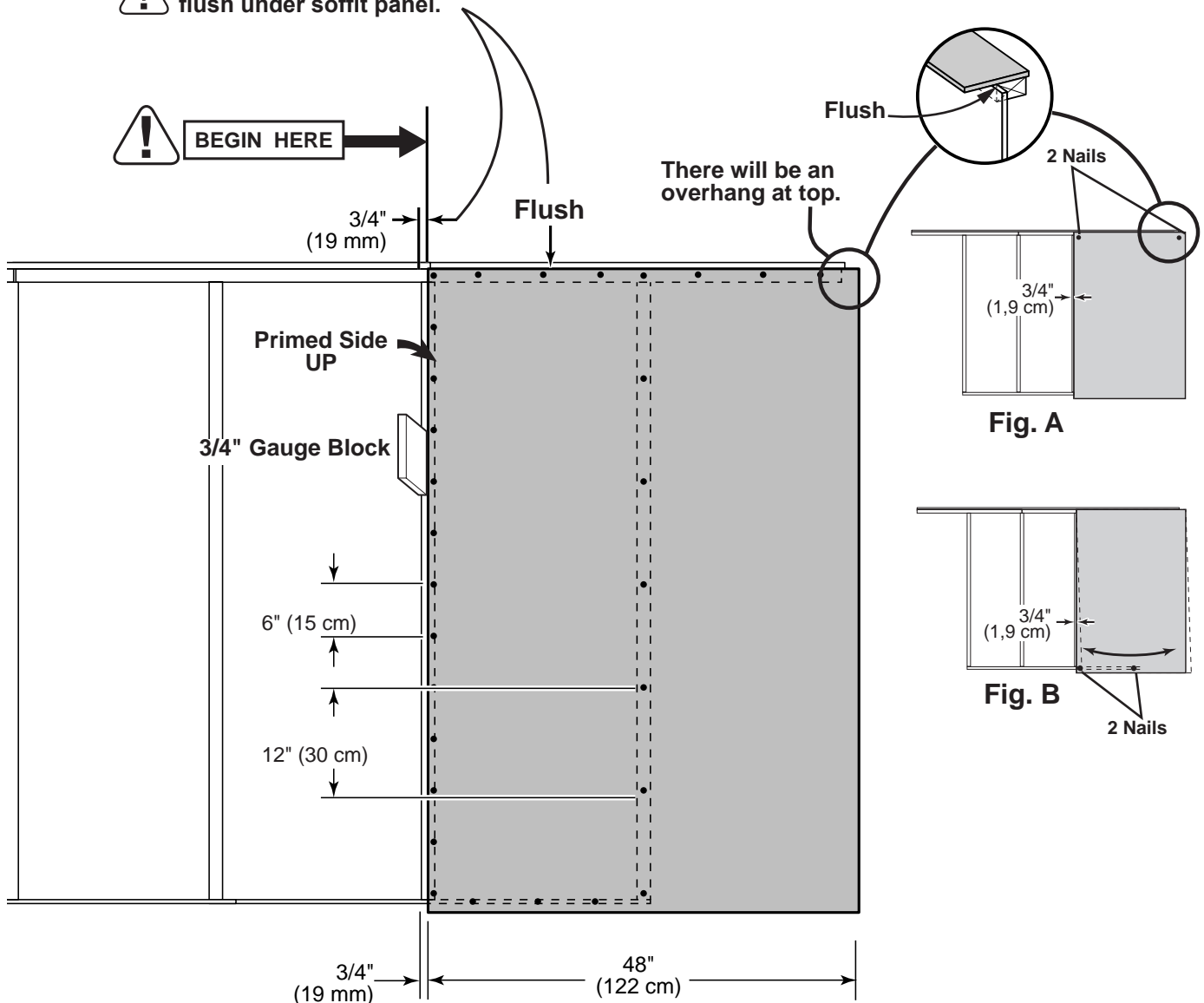
4 Place the 48" x 72" panel onto wall frame with primed side up.

Use the gauge block to mark the 3/4" measurement on the wall stud.
Locate the panel flush under the soffit panel.
Secure panel with (2) 2" nails in the corners (**Fig. A**).

5 Move to the opposite end. Using the long edge of the panel as a lever move the panel side-to-side until you have a 3/4" measurement on the wall stud. Secure corner with (2) 2" nails.

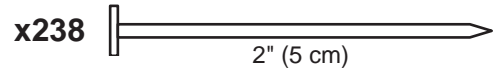
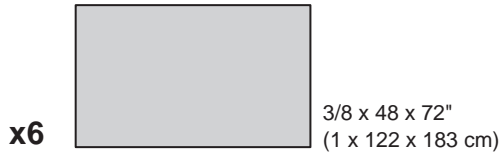
Secure the panel with 2" nails spaced 6" apart on edges and 12" apart inside panel.

! For squareness maintain 3/4" and flush under soffit panel.



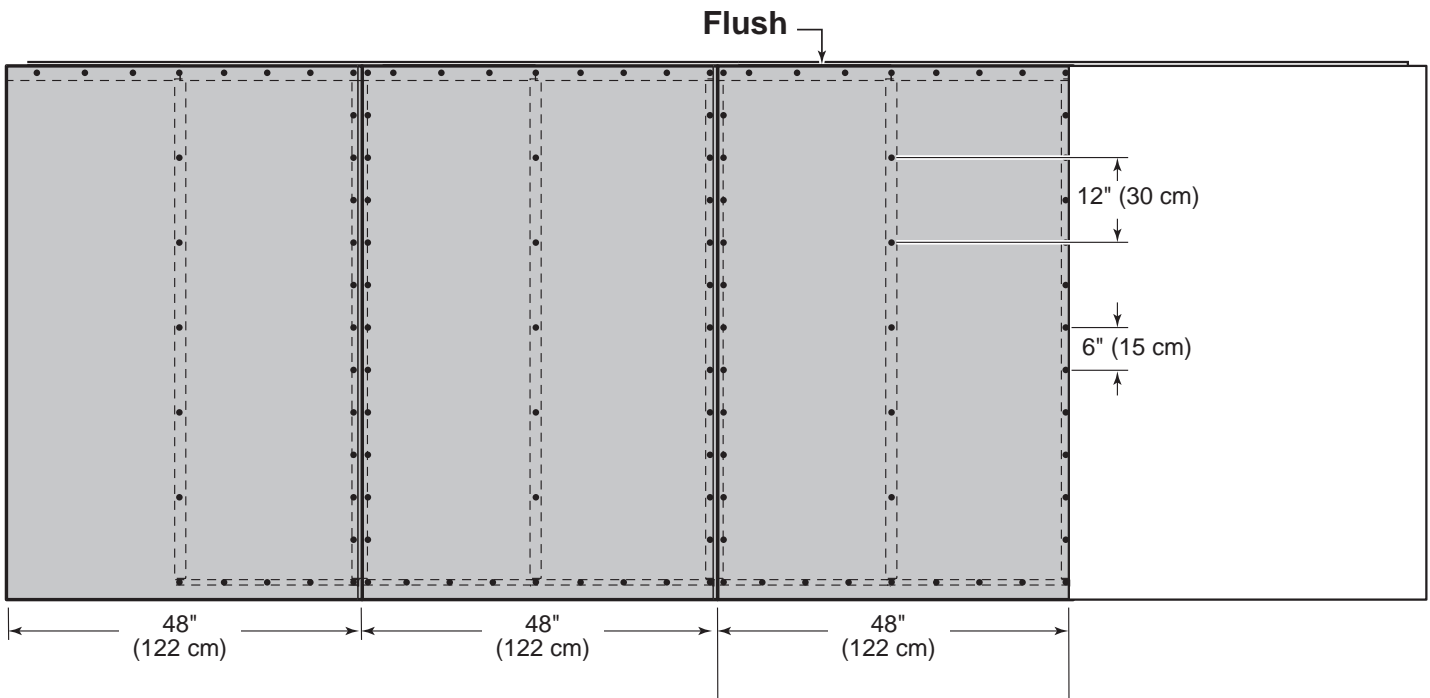
10' x 16' SIDE WALL PANELS

PARTS REQUIRED:

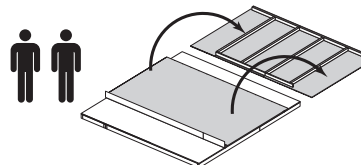


6 Place additional 48" x 72" panels on frame flush to installed panels.

Secure panels with 2" nails spaced 6" apart on edges and 12" apart inside panel.



Carefully flip your side wall over.
Repeat steps to assemble your second side wall.

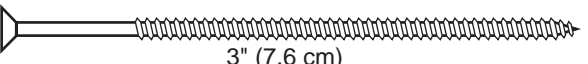
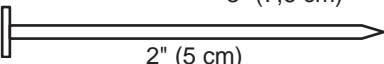


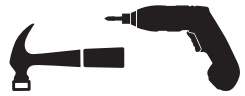
You have finished building both of your side walls. Go to page 46.

BACK WALL INSTALLATION

PARTS REQUIRED (TEMPORARY):

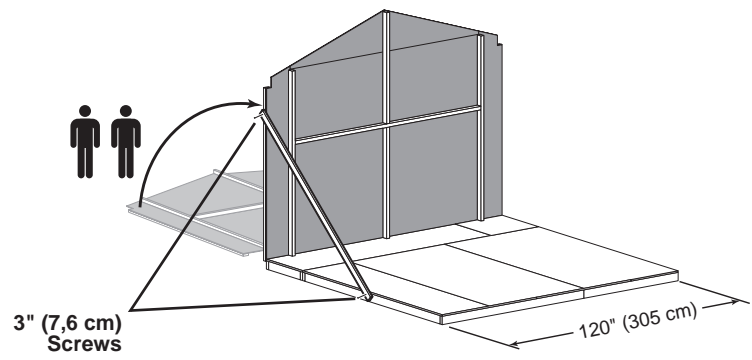
x1 **OO**
1-1/4 x 2-1/2 x 69" (3,2 x 7,6 x 175,3 cm)

x8  3" (7,6 cm)
x24  2" (5 cm)



✓ BEGIN

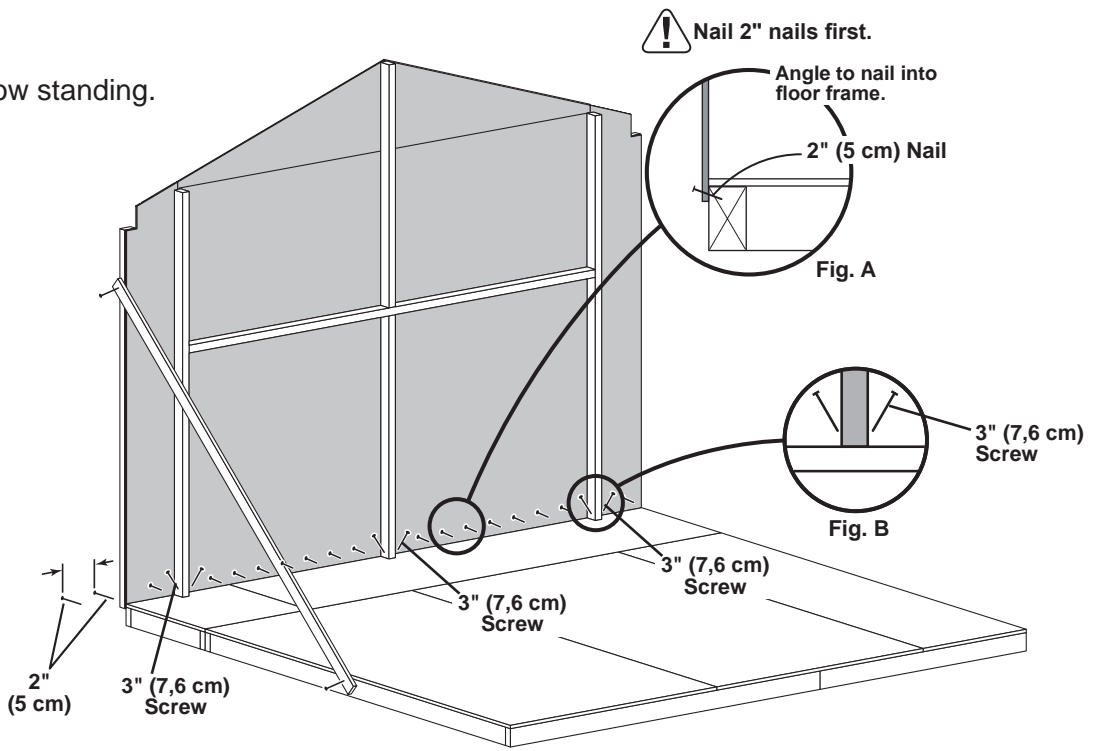
- 1 Center back wall assembly on the 120" (305 cm) floor dimension.
- 2 Use **OO** as a temporary brace. Secure with (2) 3" screws.



- 3 Secure lower edge of panel to floor frame with 2" nails spaced 6" apart. Angle nail to hit floor frame (**Fig. A**).
- 4 Secure back wall uprights to floor with (2) 3" screws (**Fig. B**).

FINISH

Your back wall is now standing.



SIDE WALLS INSTALLATION



⚠ Additional fasteners needed for 10' x 12' kit or 10' x 16' kit. Same instructions apply.

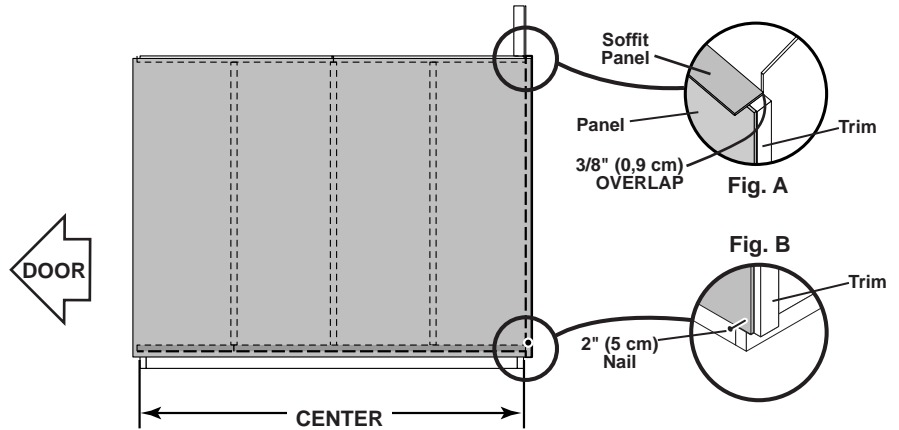
✓ BEGIN



1 Center side wall on floor front to back.

Rest the top of the side wall so the soffit panel overlaps the back wall panel 3/8" (**Fig. A**).

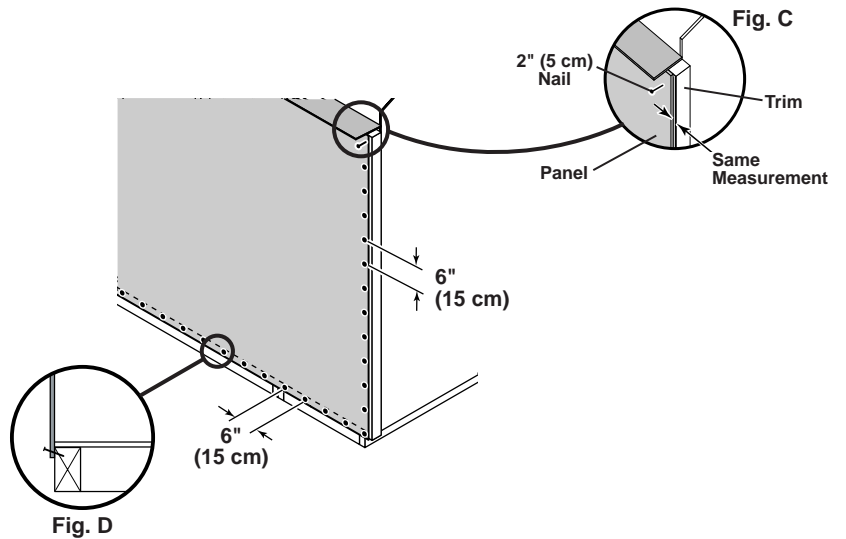
Secure the lower side wall corner to the back wall trim with (1) 2" nail (**Fig. B**).



2 Be sure the measurement between the panel edge and the trim is the same along the entire length. Secure wall with (1) 2" nail in the upper corner (**Fig. C**).

Secure the panel edge to the trim with 2" nails spaced 6" apart.

Secure bottom of panel with 2" nails spaced 6" apart. Angle nail to hit floor frame (**Fig. D**).

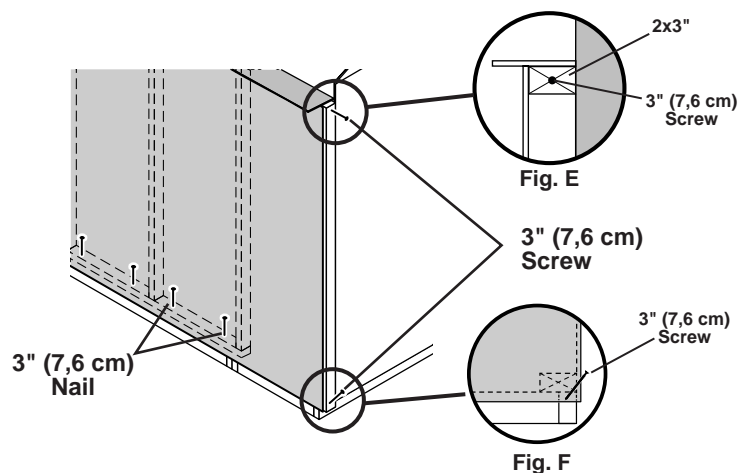


3 Secure the bottom plate with 3" nails between the wall studs.

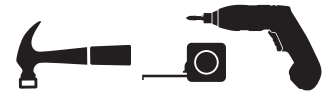
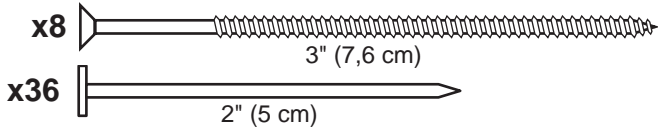
Screw through the back wall trim into the top and bottom plates with (1) 3" screw (**Fig. E**).

Screw through the back wall trim with (1) 3" screw. Angle screw to hit floor frame (**Fig. F**).

Repeat process to secure the left side wall.



FRONT WALL INSTALLATION

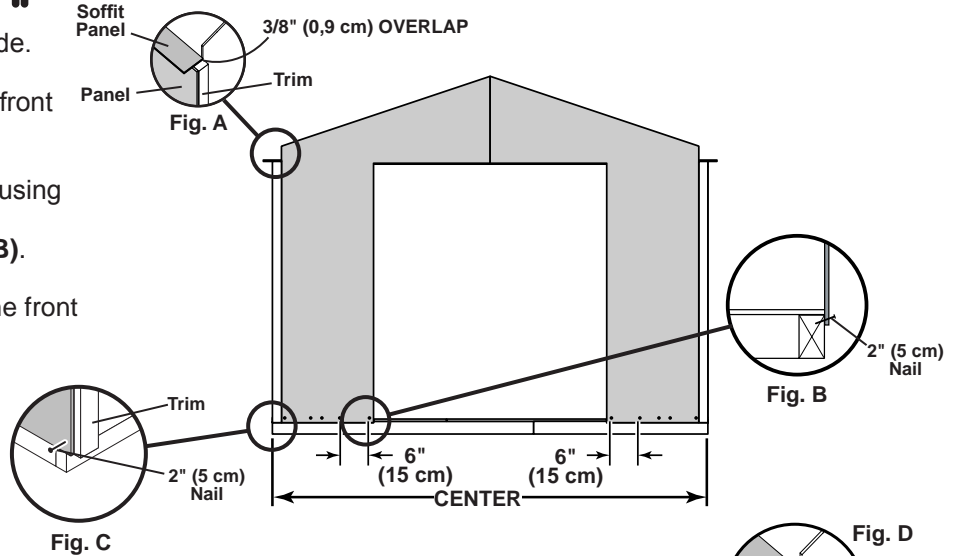


1 Center front wall on floor side-to-side.

The side wall soffit will overlap the front wall 3/8" (Fig. A).

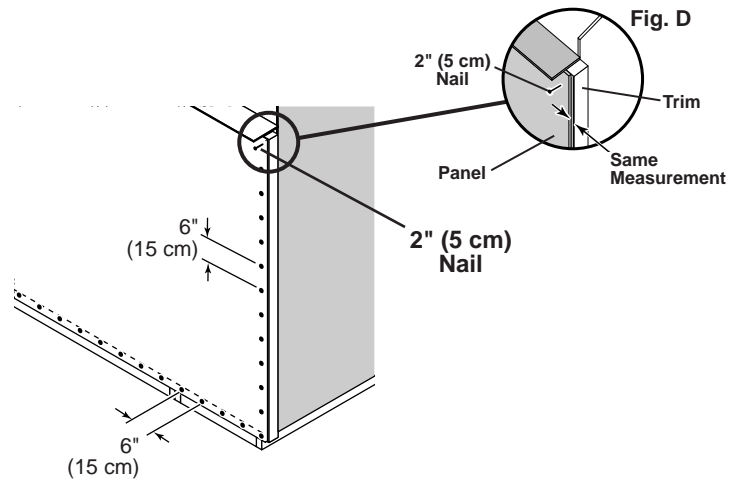
Nail the front wall flush to the floor using 2" nails spaced 6" apart. Angle nails to hit floor frame (Fig. B).

Nail the lower side wall corner to the front wall trim with (1) 2" nail (Fig. C).



2 Be sure the measurement between the panel edge and the trim is the same along the entire length. Secure with (1) 2" nail in the upper corner (Fig. D).

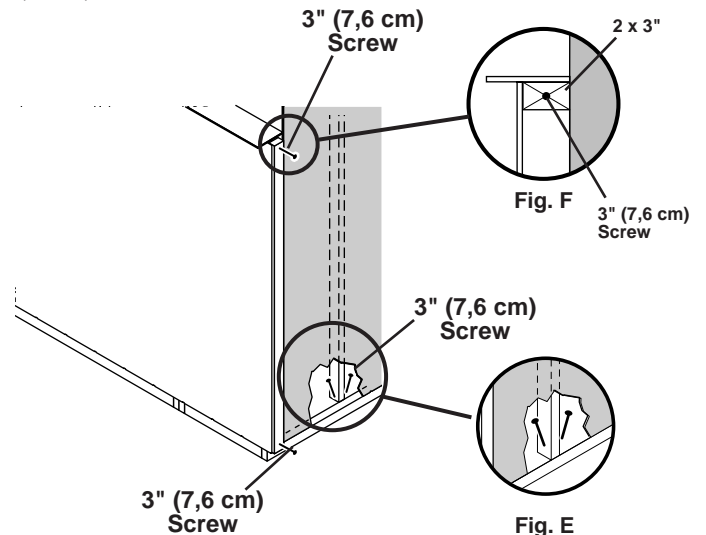
Secure the panel edge to the trim with 2" nails spaced 6" apart.



3 Secure the front wall frame using (2) 3" screws (Fig. E).

Screw through the front wall trim into the top and bottom plates using (1) 3" screw (Fig. F).

Repeat process to secure the right side of the front wall.



GABLE TRIM

PARTS REQUIRED:

x4 **CDD**
2 x 3 x 58" (5 x 7,6 x 147,3 cm)

x24
1-1/4" (3 cm)



✓ BEGIN

1 Position one **CDD** flush to front panel edge and center on panel seam (**Fig. A**).
Secure trim with with 1-1/4" screws from inside.
Use (2) screws at seam (**Fig. B**).

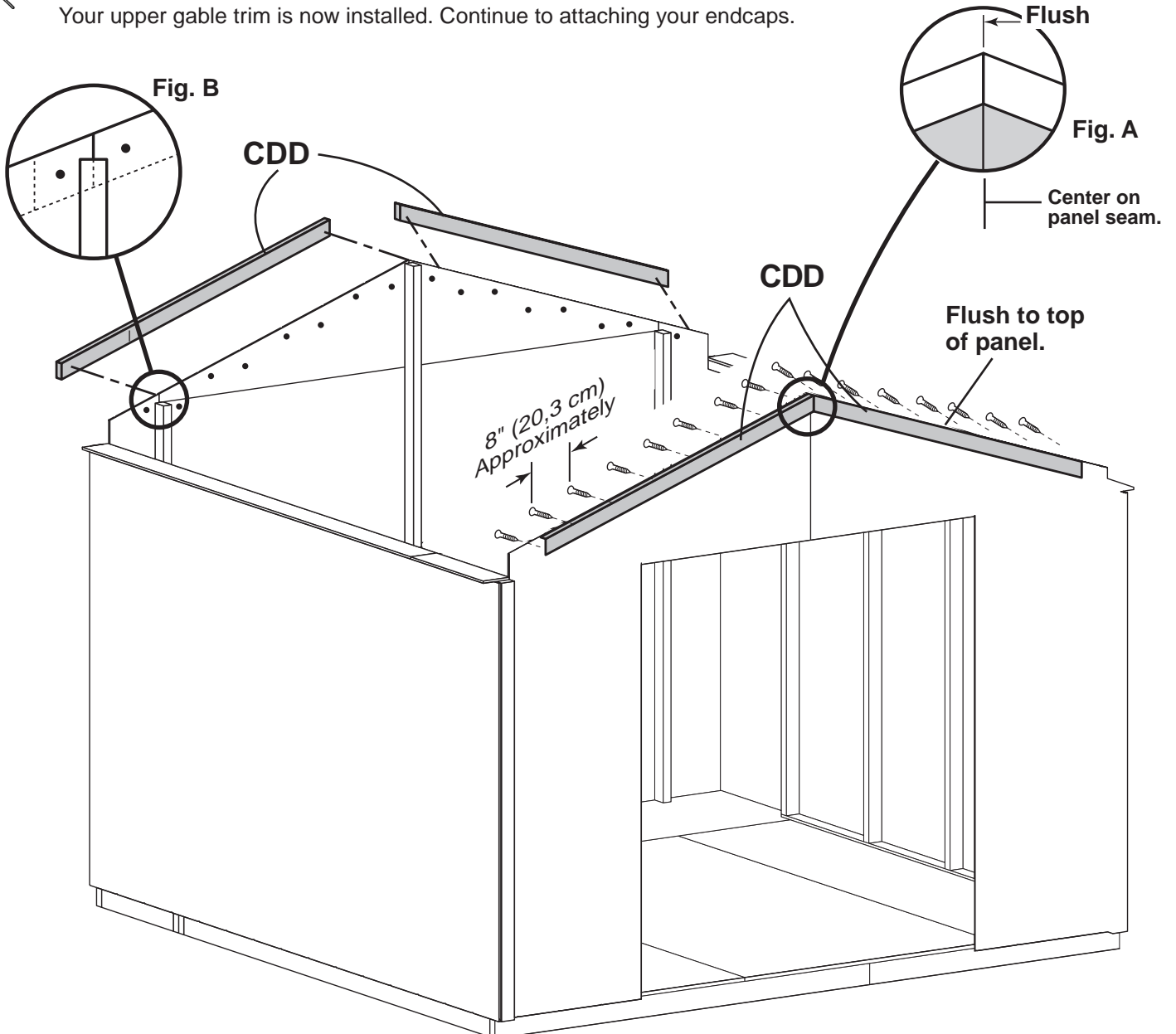


2 Position second **CDD** flush to panel edge and flush to installed **CDD** (**Fig. A**).
Secure trim with (8) 1-1/4" screws from inside. Install (2) screws at seam (**Fig. B**).

Repeat steps to install the back trim.



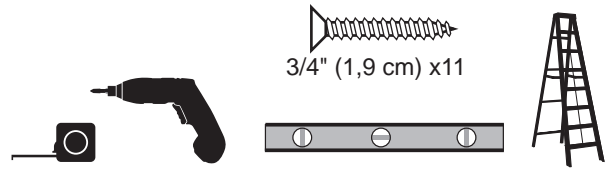
Your upper gable trim is now installed. Continue to attaching your endcaps.



BACK WALL GABLE TRIM

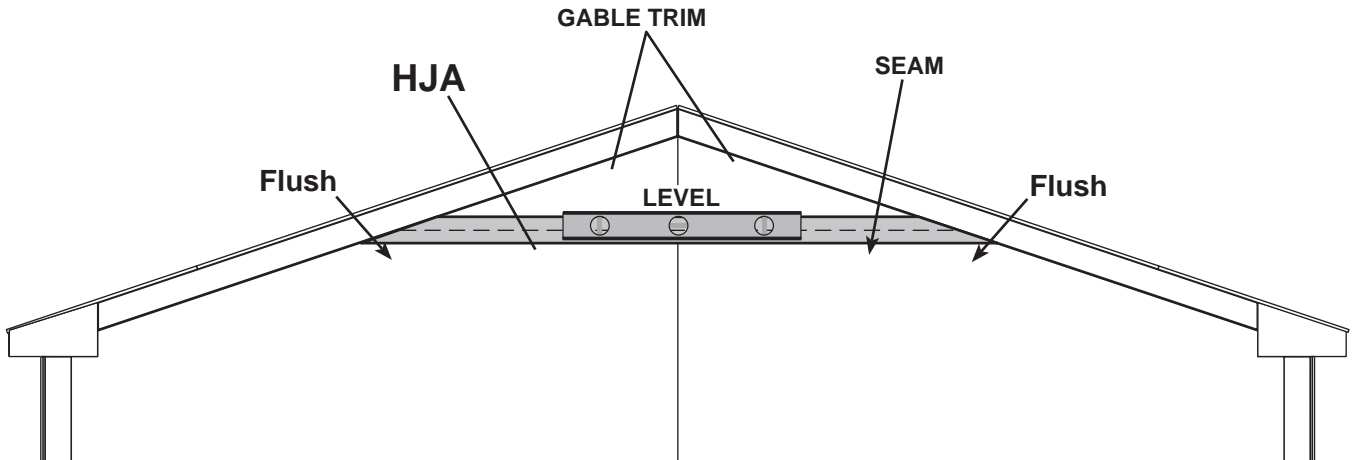
PARTS REQUIRED:

x1 **HJA**
1 x 3 x 60-5/8" (1,7 x 6,3 x 154 cm)

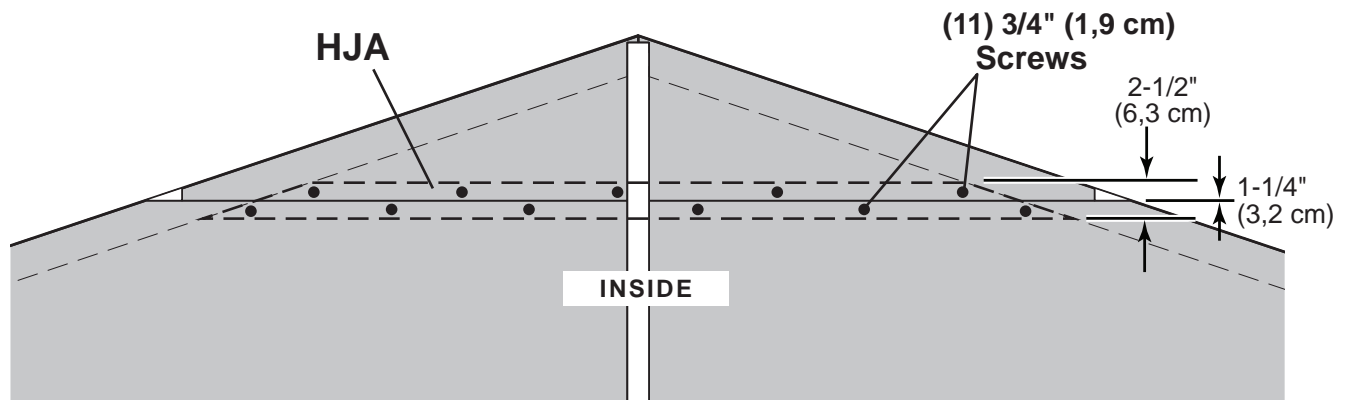


✓ **BEGIN**

- 1** Clamp or hold trim **HJA** onto gable panel seam and up against gable trim. Ensure **HJA** is level.



- 2** From the inside, secure **HJA** with 3/4" screws as pattern shows.



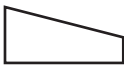
FINISH

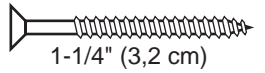
You have installed your back wall gable trim.

TRIM / ENDCAPS

PARTS REQUIRED:

x4 **GBB** 1 x 3 x 7-1/2" (2,5 x 7,6 x 19 cm)

x4  3/4 x 5-1/8 x 8-3/8" (1,9 x 13 x 21,3 cm) **RIGHT PAINTED RED**
LEFT PAINTED GREEN

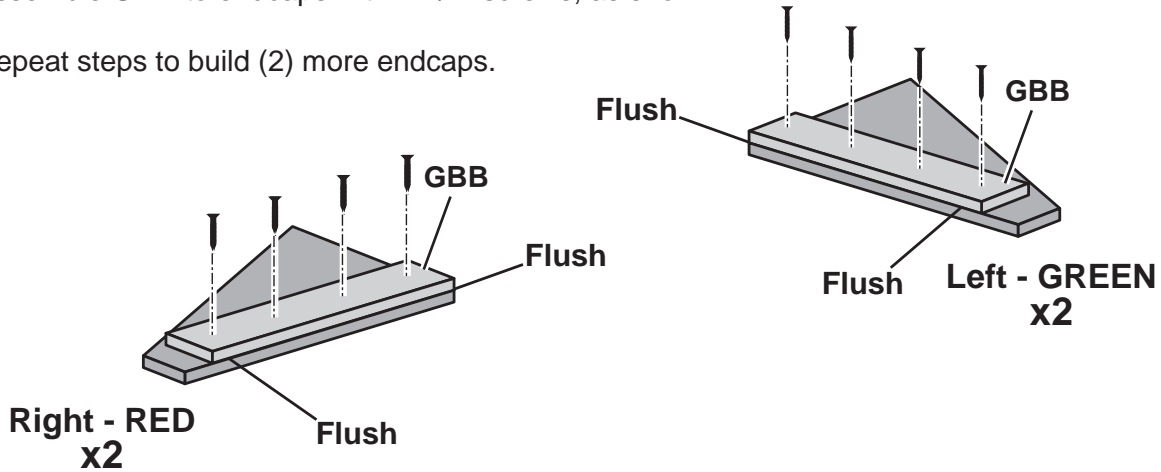
x14  1-1/4" (3,2 cm)



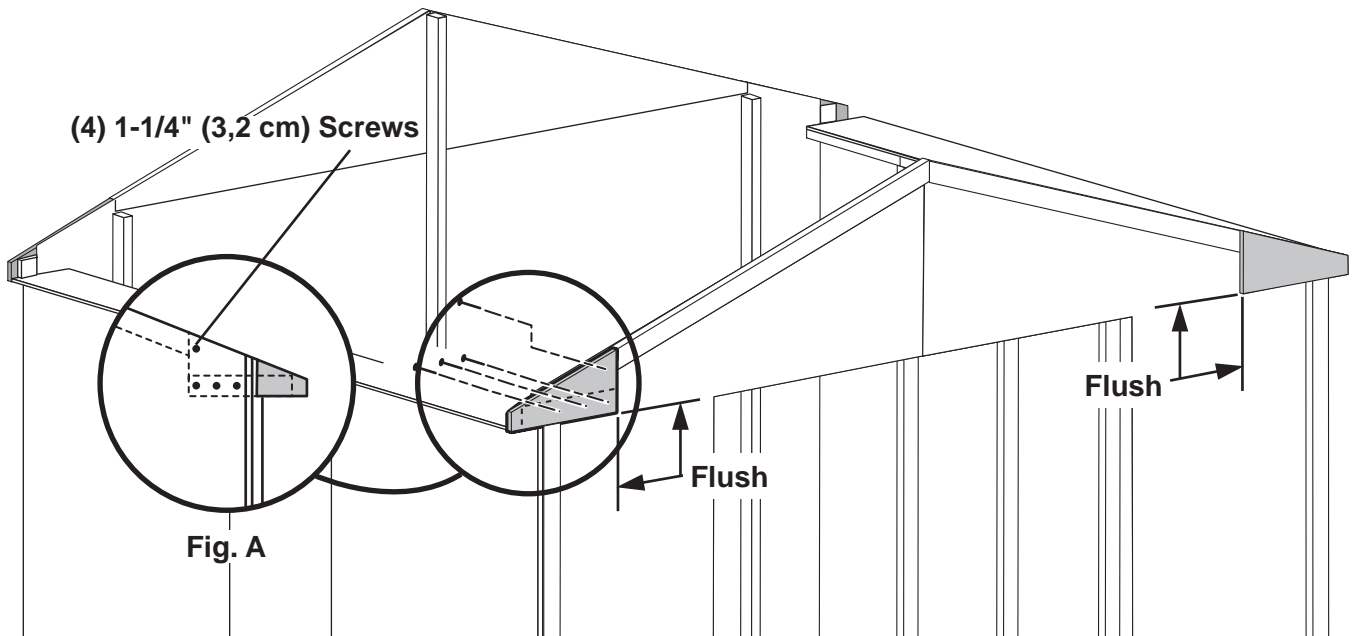
✓ BEGIN

1 Assemble **GBB** to endcaps with 1-1/4" screws, as shown.

Repeat steps to build (2) more endcaps.



2 Locate endcaps flush with upper trim and corner trim. Secure each endcap from inside of shed with (4) 1-1/4" screws, as shown (Fig. A).



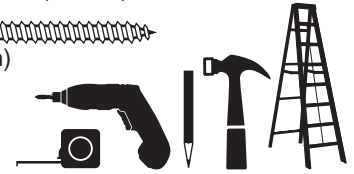
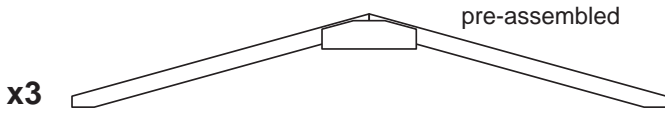
Your endcaps are completed and installed

RAFTERS

PARTS REQUIRED:

x12 3" (7,6 cm)

x6 2" (5 cm)



✓ BEGIN

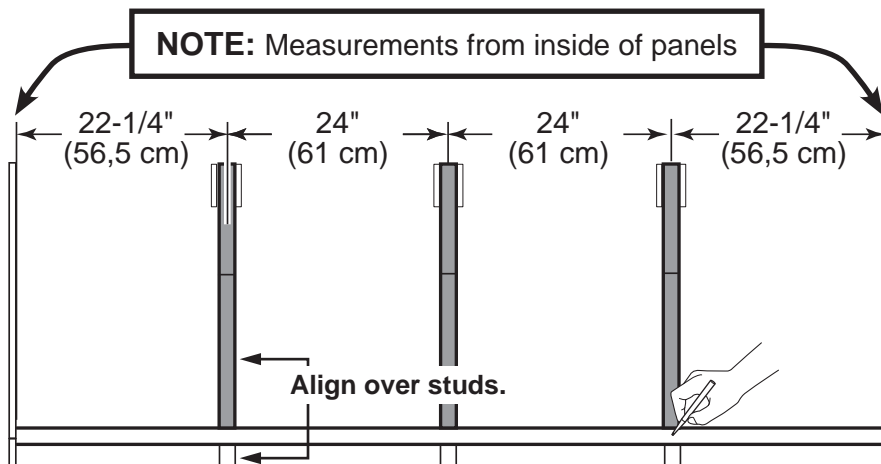
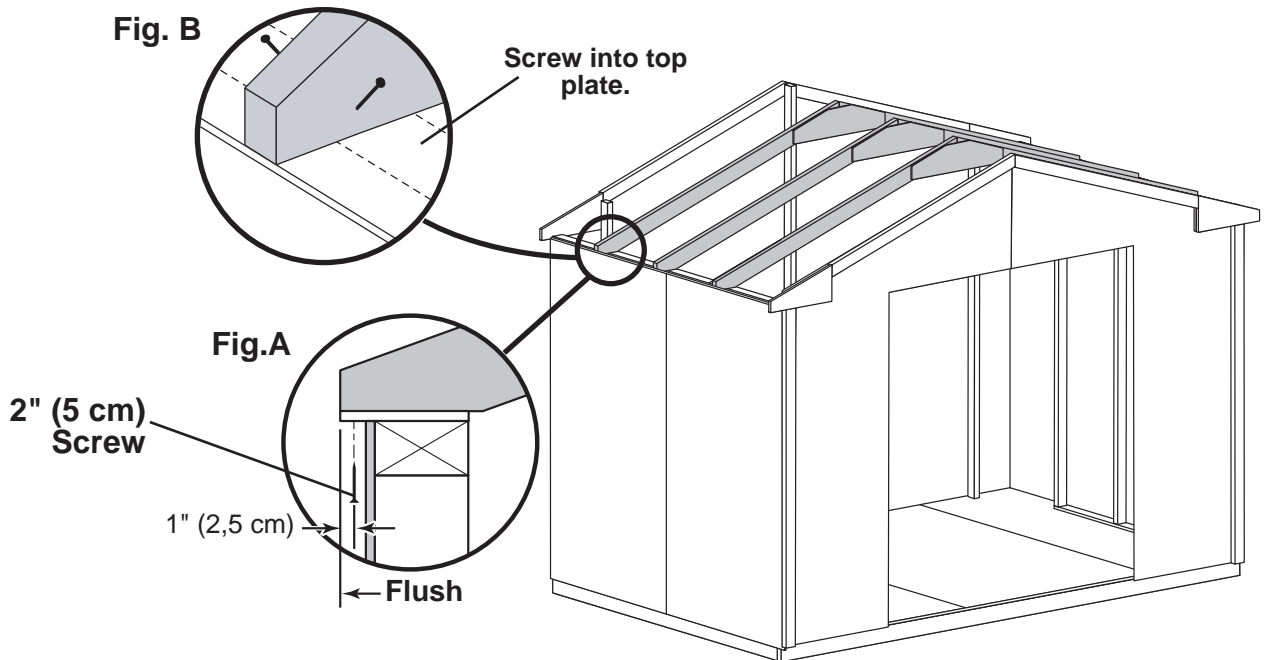
- 1 Locate rafters directly over studs and flush to overhang in wall frame (**Fig. A**). Check that you have the measurements shown. Screw through soffit panel into rafters with (1) 2" screw (**Fig. A**).
- 2 Secure with (2) 3" screws at each end (**Fig. B**). Re-tighten 2" screws if necessary.

Repeat steps to install (3) additional rafters.



FINISH

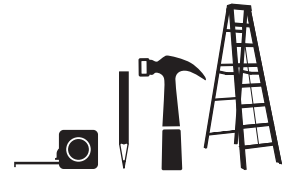
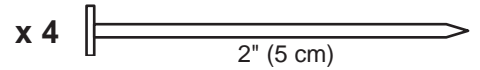
Your rafters are now installed.



Maintain the measurements between rafters.

ROOF PANELS

PARTS REQUIRED:



! Roof panels may cause serious injury until securely fastened.

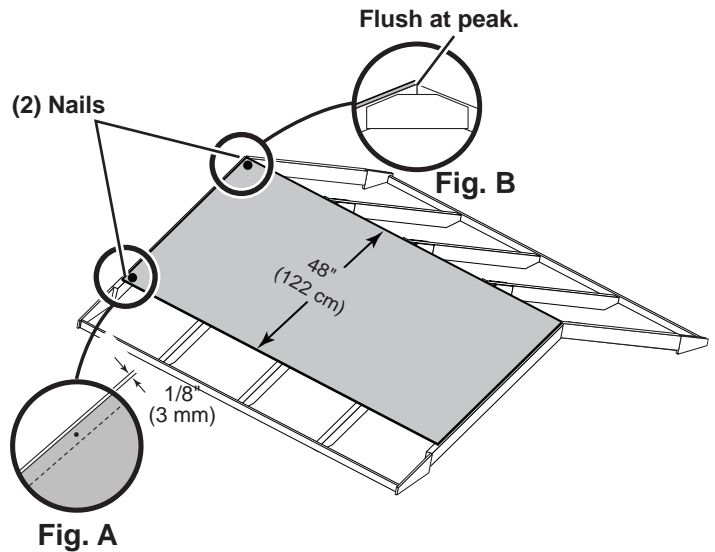


You must square the roof by attaching (1) panel fist. You will use the panels' long edge as a lever to bring your roof into square. Commonly known as "racking".

✓ BEGIN

- 1 Install (1) 48 x 96" panel with the rough side up (painted-grid lines side) with a 1/8" measurement on the rafter (**Fig A**) and the panel flush at the peak (**Fig. B**).

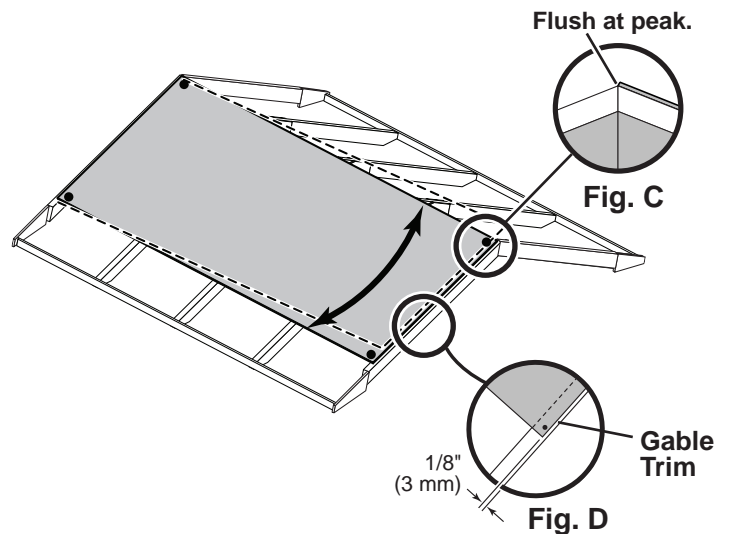
Secure panel with 2" nails in the corners.



- 2 Move to the opposite end. Using the long edge of the panel as a lever move the panel side-to-side until the top corner is flush to the peak (**Fig. C**) and there is 1/8" measurement to the gable trim (**Fig. D**).

You may need to move your back wall to get the 1/8" measurement.

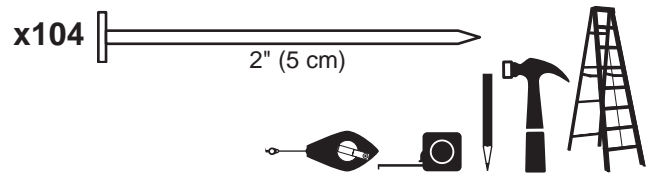
Secure panel with 2" nails in the corners.



ROOF PANELS

PARTS REQUIRED:

x4  7/16 x 19 x 48"
(1,1 x 48 x 122 cm)



- 3 Keep spacing between the center of the rafters at the lower edge of the panel and secure with (1) 2" nail into each rafter (**Fig. E**).

Move to the top of the panel and keep spacing between the center of the rafters. Secure with (1) 2" nail into each rafter (**Fig. E**).

Secure the roof panel with 2" nails spaced 6" apart on edges and 12" apart inside panel (**Fig. F**).

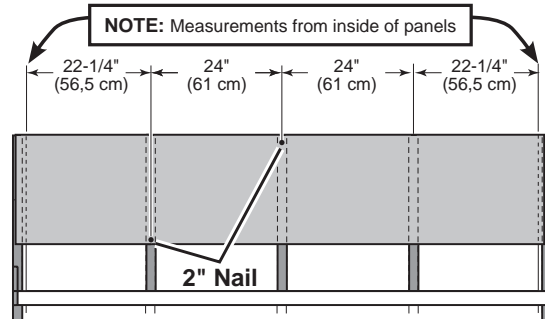


Fig. E

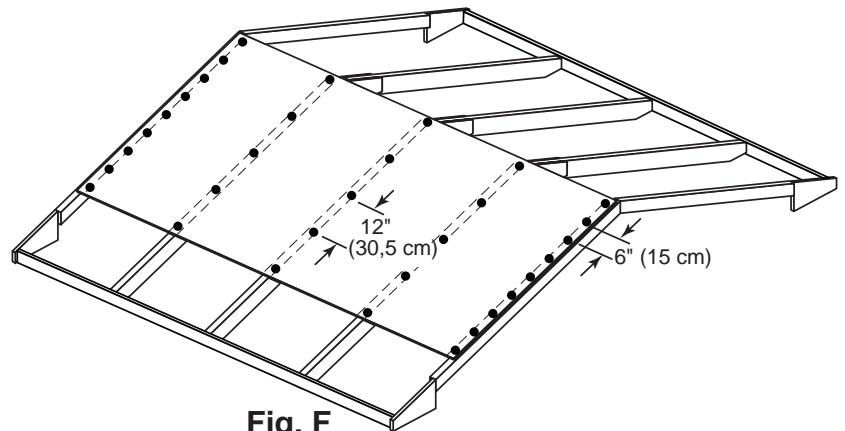


Fig. F

- 4 Install the lower roof panels flush to the upper panels and with a 1/8" measurement at the gable trim (**Fig.G**).

Nail the roof panel using 2" nails spaced 6" apart on edges and 12" apart inside panel.

Repeat process to attach roof panels on the opposite side.

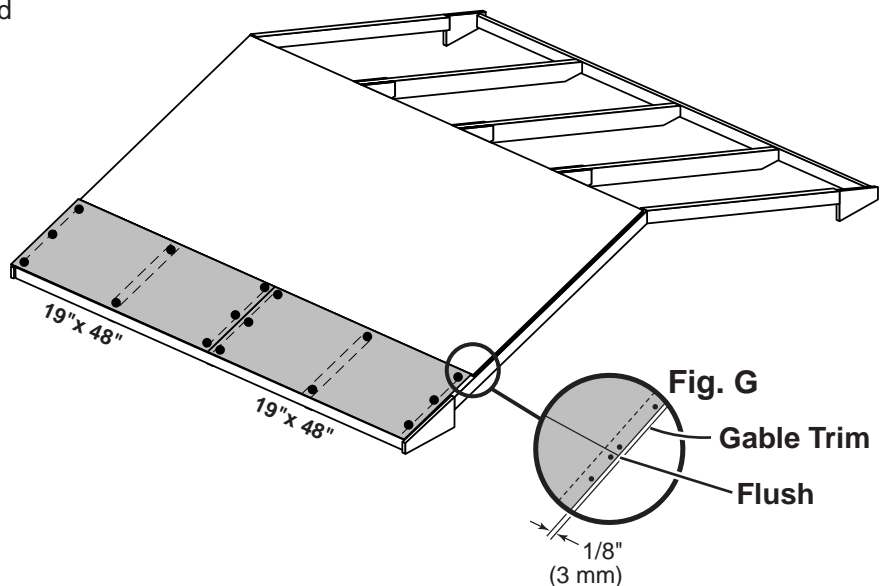
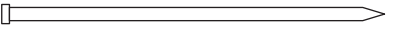


Fig. G

TRIM

PARTS REQUIRED:

x2 **HS**
1 x 3 x 94-3/4" (2,5 x 7,6 x 240,6 cm)

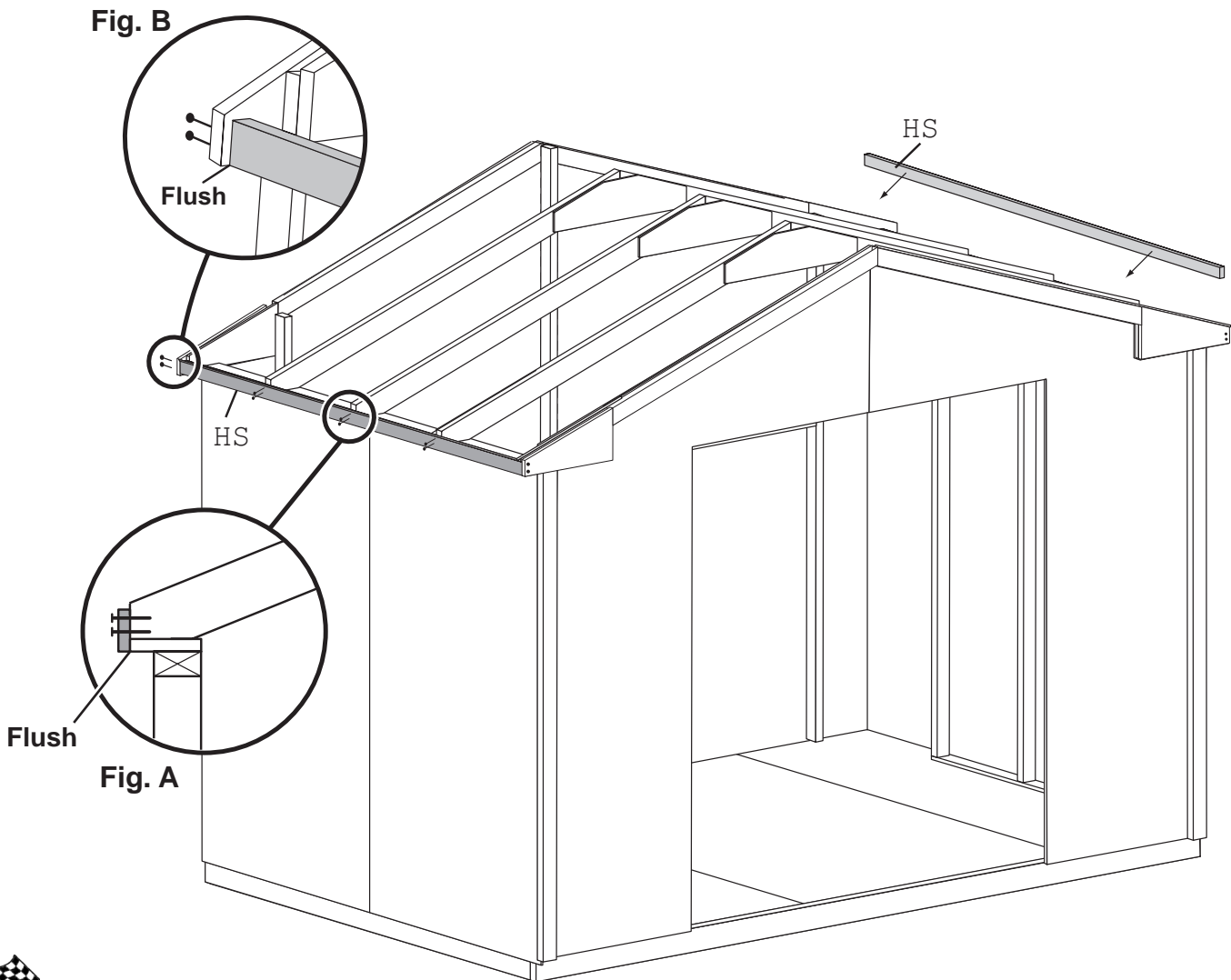
x20 
2" (5 cm)



✓ **BEGIN**

- 1 Install fascia trim flush under roof panel (**Fig. A**) and endcaps at ends of rafters (**Fig. B**). Secure with 2" nails, as shown.

Repeat steps to install fascia trim on both sides.

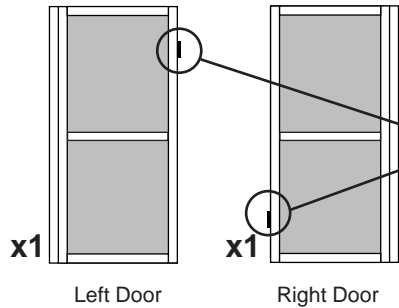


 **FINISH**

Your fascia trim boards are now installed.

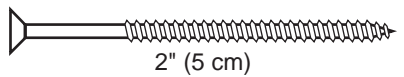
DOORS

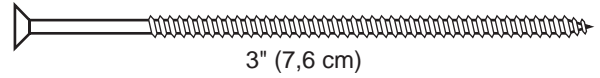
PARTS REQUIRED:



x1 **OO**
1-1/4 x 2-1/2 x 69" (3,2 x 7,6 x 175,3 cm)

x2 
1-1/4" (3 cm)

x2 
2" (5 cm)


x4 
3" (7,6 cm)

x1 **ZJ**
5/8 x 3 x 72" (1,6 x 7,6 x 183 cm)



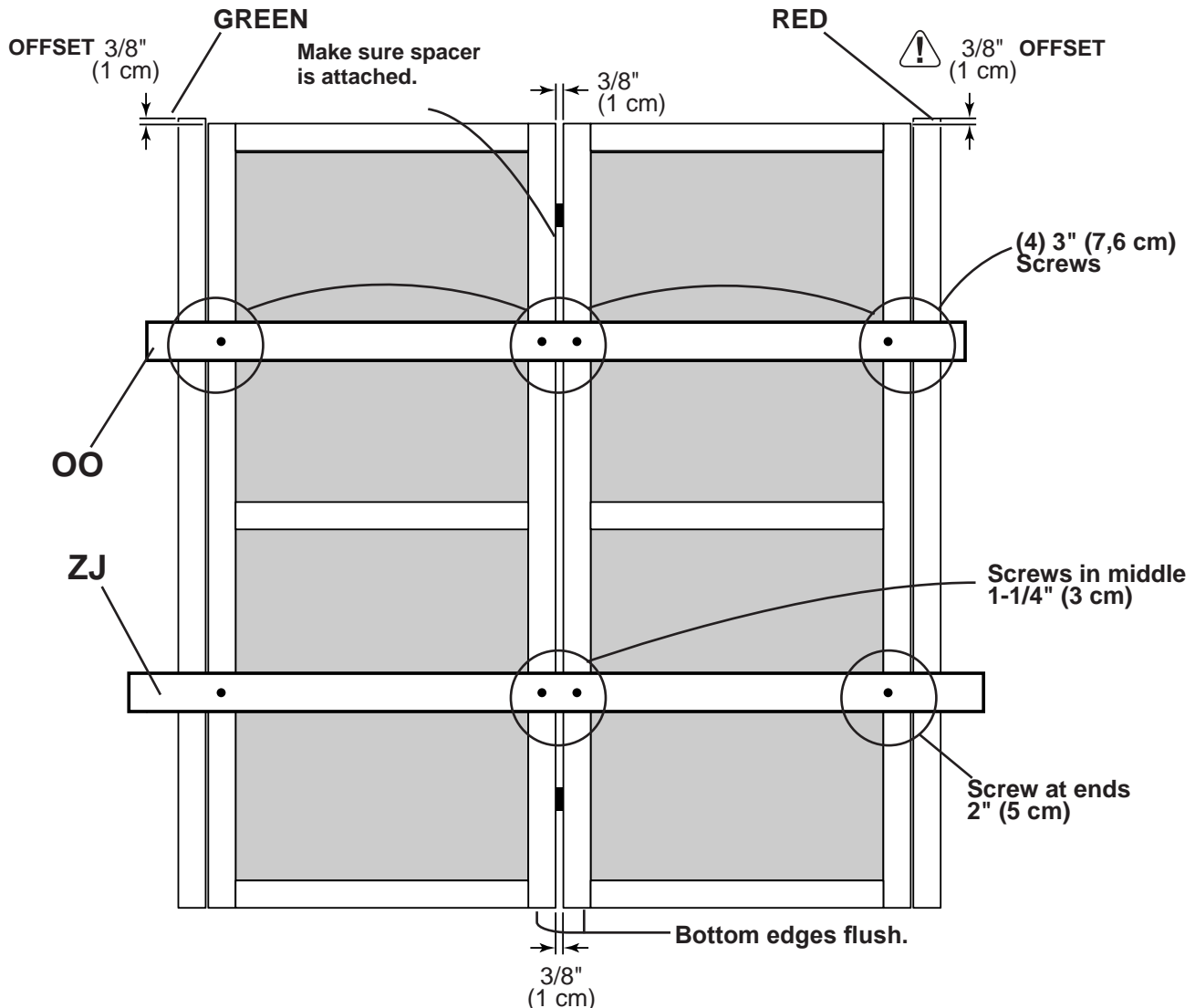
HINT:
Look for 3/8" SPACER
attached to doors.

✓ BEGIN

1 Orient parts as shown on flat surface.  3/8" offset is to top. Look for red (right) and green (left) on hinge board.


2 Fasten temporary support **OO** with 3" screws in middle and at ends. Tighten securely.


Fasten temporary support **ZJ** at bottom with 1-1/4" screws in middle and 2" screws at ends. Tighten securely.



DOORS

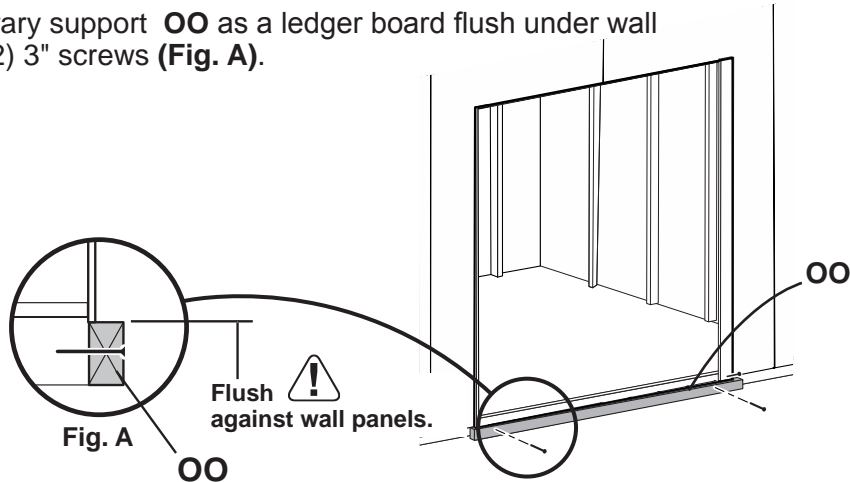
PARTS REQUIRED:


x1  **OO**
1-1/4 x 2-1/2 x 69" (3,2 x 7,6 x 175,3 cm)

x6  3" (7,6 cm)



- 3** Install temporary support **OO** as a ledger board flush under wall panels with (2) 3" screws (**Fig. A**).



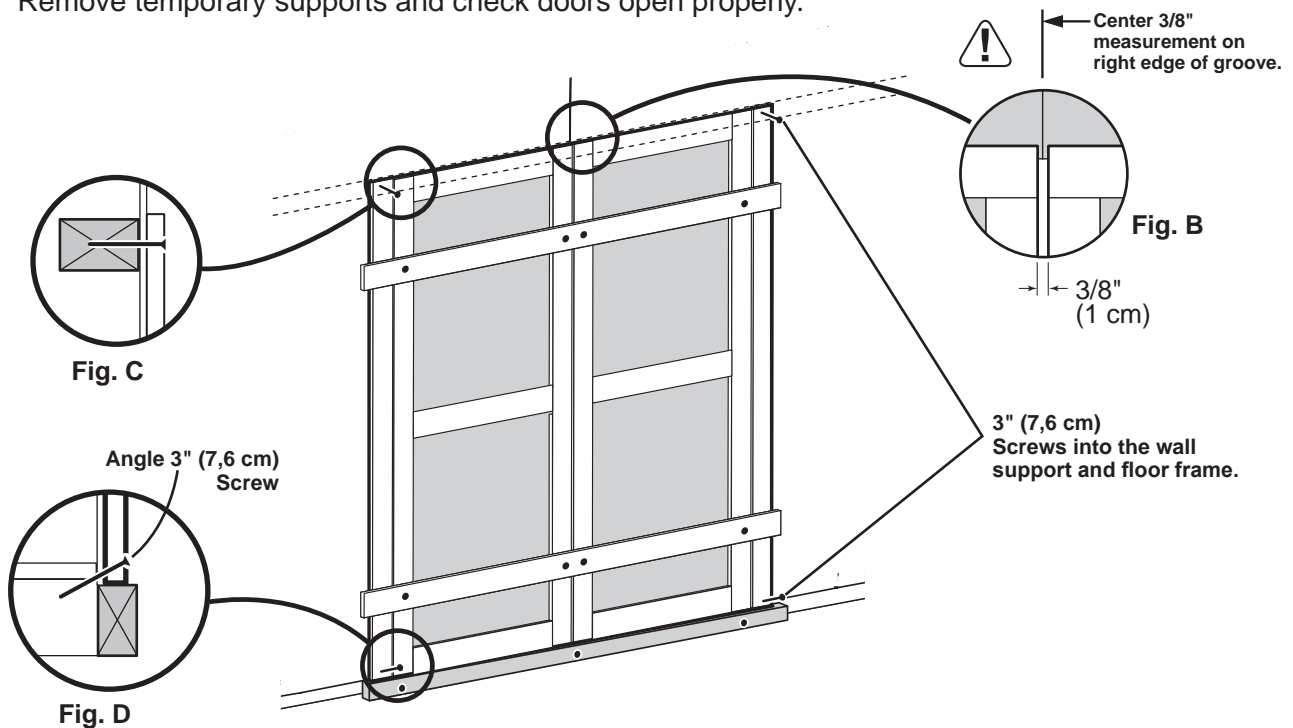
- 4** Center doors on right edge of groove as shown (**Fig. B**). 

 Check ledger board is still flush under panels.

- 5** Screw hinge boards into wall supports and floor using (4) 3" screws, as shown.

 Make sure screws go into framing and floor (**Fig. C, D**).

- 6** Remove temporary supports and check doors open properly.



Your doors are now installed.

DOOR

PARTS REQUIRED:

x1 **ZJ**
5/8 x 3 x 72" (1,6 x 7,6 x 183 cm)

x1
64" Metal Threshold

2" (5 cm) x8
3/4" (1,9 cm) x52

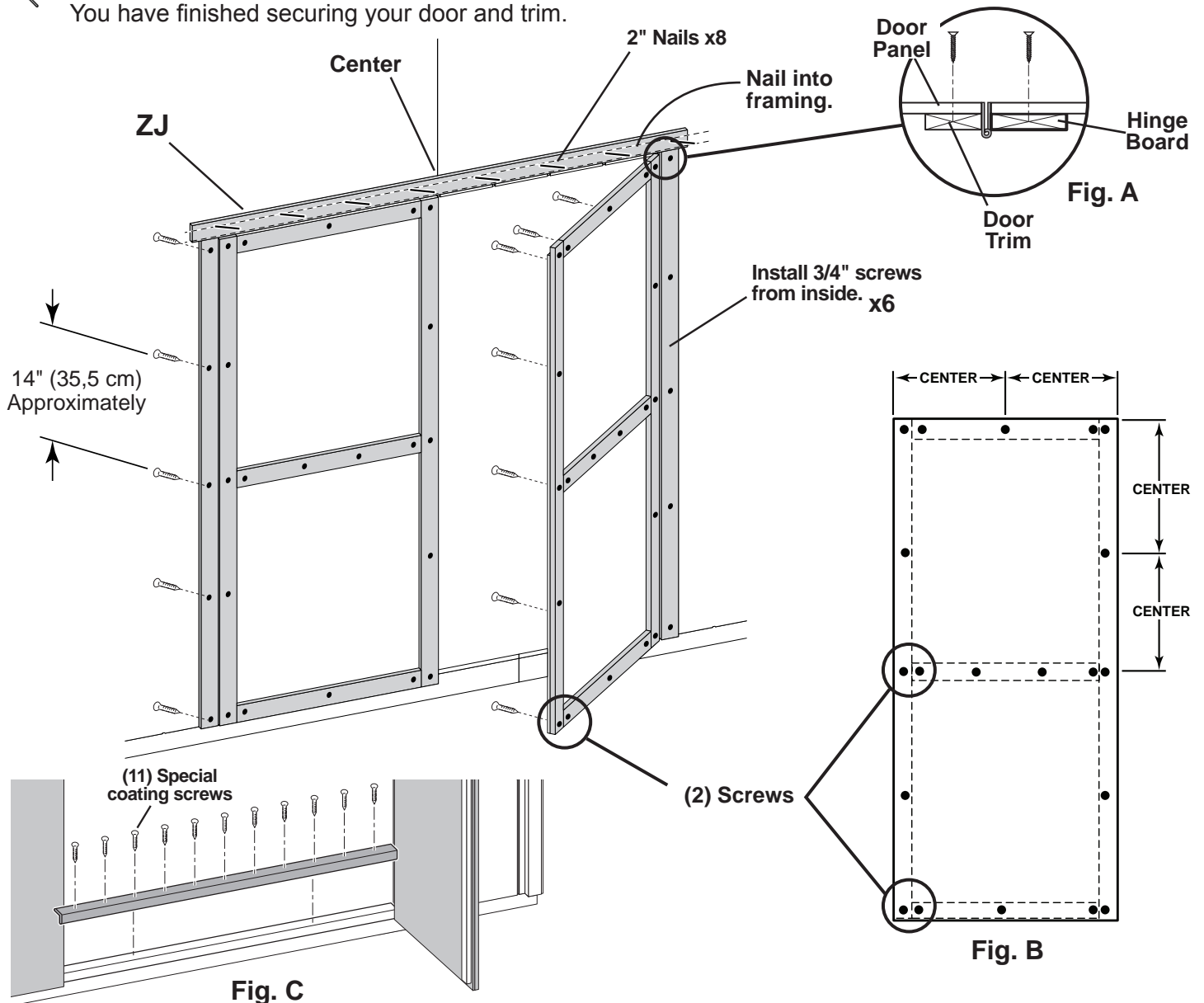


✓ BEGIN

- 1 Secure hinge boards from inside using 3/4" screws as shown (Fig. A).
- 2 Reinforce the door trim using 3/4" screws through door panel into trim (Fig. A). Locate screws as shown in Fig. B. Secure with (2) screws at seams.
- 3 Center trim ZJ over doors and secure using (8) 2" finish nails into framing as shown.
- 4 Center metal threshold between doors and secure using eleven 3/4" special coating screws into floor as shown (Fig. C).


FINISH

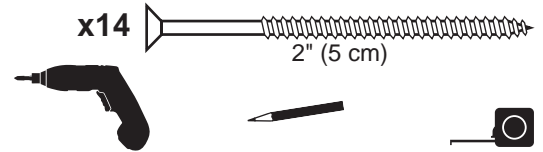
You have finished securing your door and trim.



DOOR WEATHERSTRIP

PARTS REQUIRED:

x2 
 1-1/4 x 2-1/2 x 69" (3,2 x 7,6 x 175,3 cm)

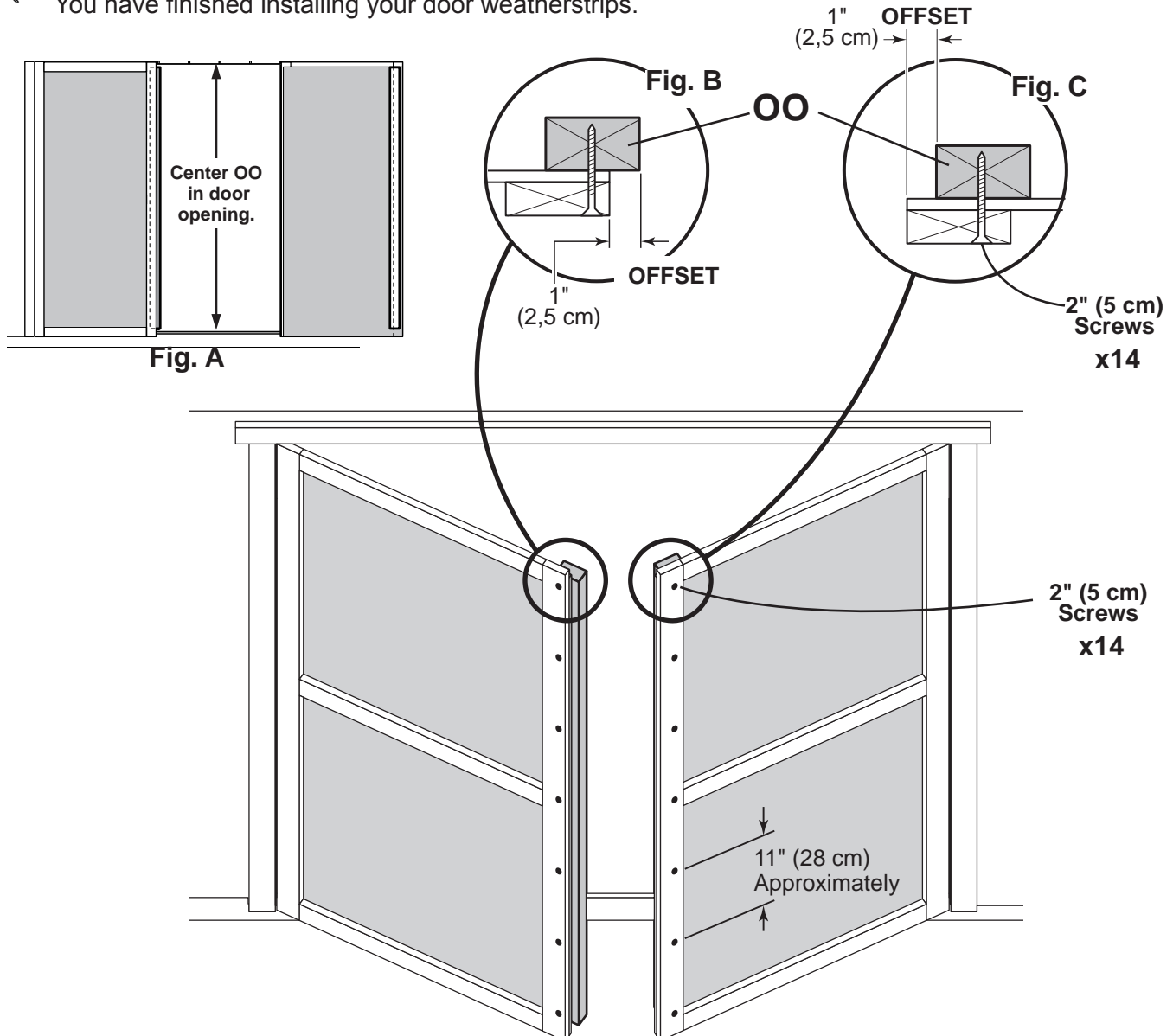


✓ BEGIN

- 1 With left door closed, center a weatherstrip **OO** vertically on the left door in the door opening (**Fig. A**). **OO** will offset the left door 1" OUT past the door trim 1" (**Fig. B**).
- 2 Secure **OO** with (7) 3" screws through outside trim into **OO** (**Fig. B**)
- 3 On right door center **OO** vertically in door opening (**Fig. A**). **OO** will offset the right door 1" IN from the door trim (**Fig. C**).
- 4 Secure **OO** with (7) 3" screws through outside trim into **OO** (**Fig. C**).

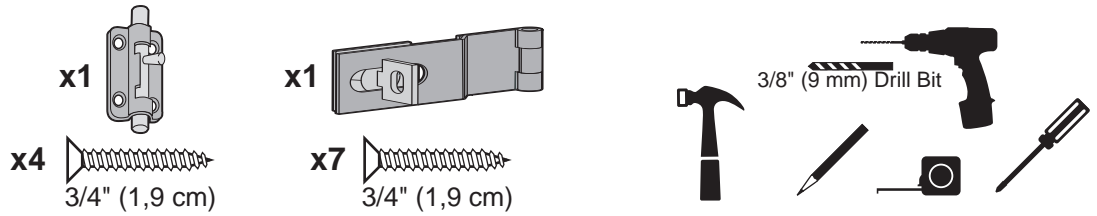


You have finished installing your door weatherstrips.



DOOR HARDWARE

PARTS REQUIRED:

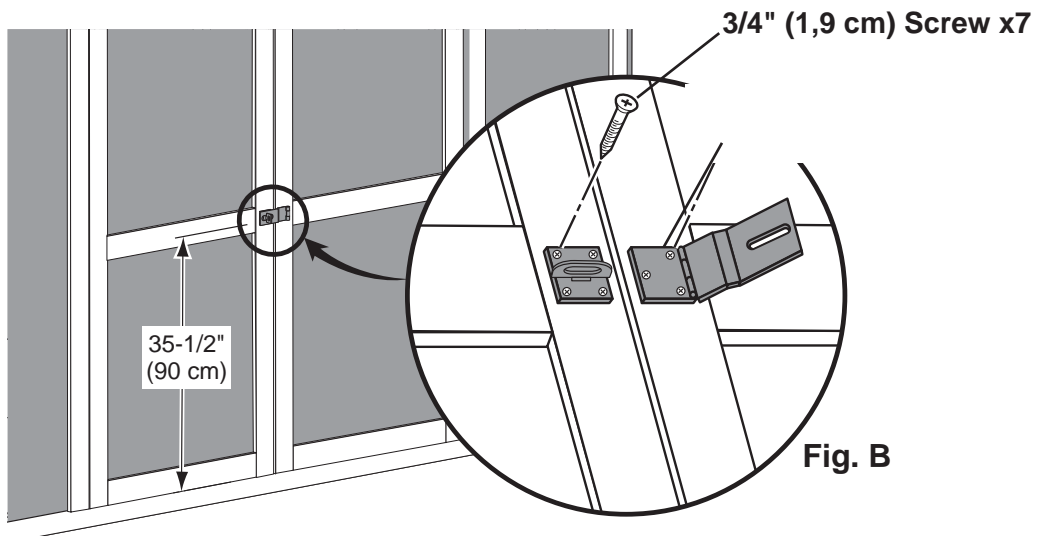
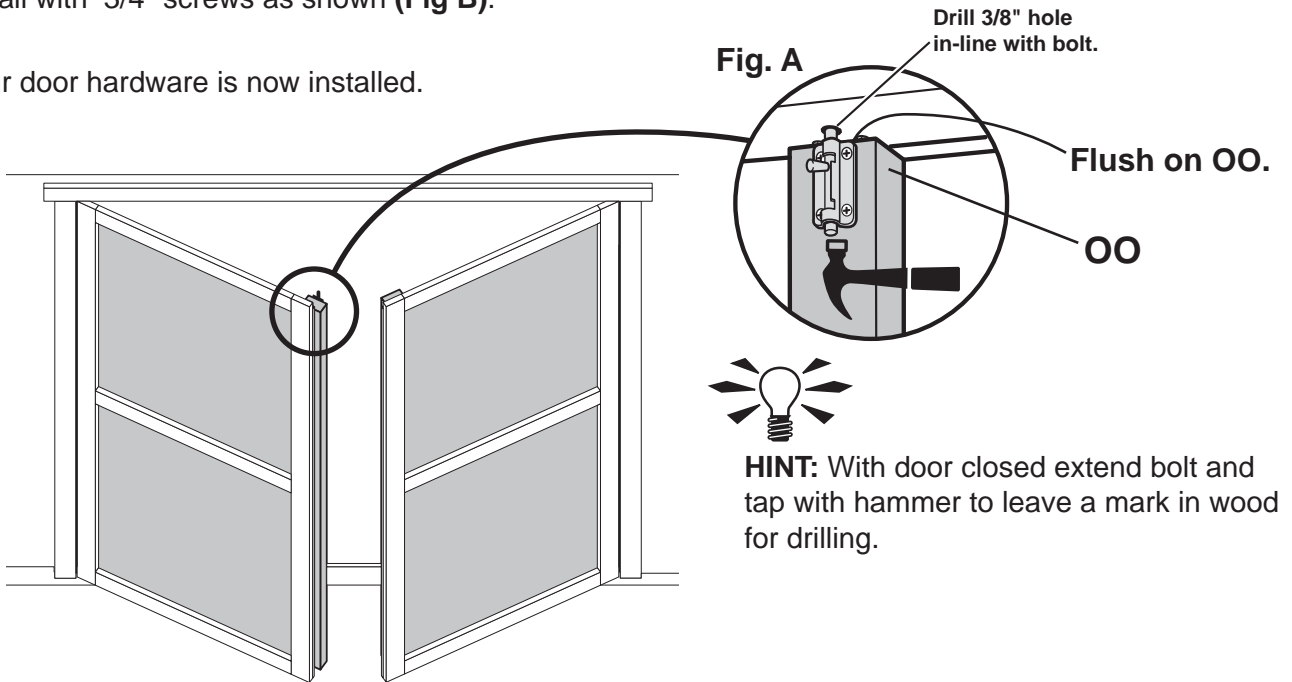


✓ BEGIN

- 1 Install barrel bolt flush at top of **OO** on left door. Secure with 3/4" screws as shown (**Fig A**).
- 2 With door closed mark hole location for bolt to extend into.
HINT: Extend bolt to leave a mark in wood. Tap bolt with hammer. Drill 3/8" hole deep enough for bolt to slide into.
- 3 Install hasp on right door and latch on left door. Bottom edge of hasp is 35-1/2" (90 cm) up from bottom edge of door trim. Measure and mark locations and install with 3/4" screws as shown (**Fig B**).


FINISH


Your door hardware is now installed.



DOOR TRIM

PARTS REQUIRED:

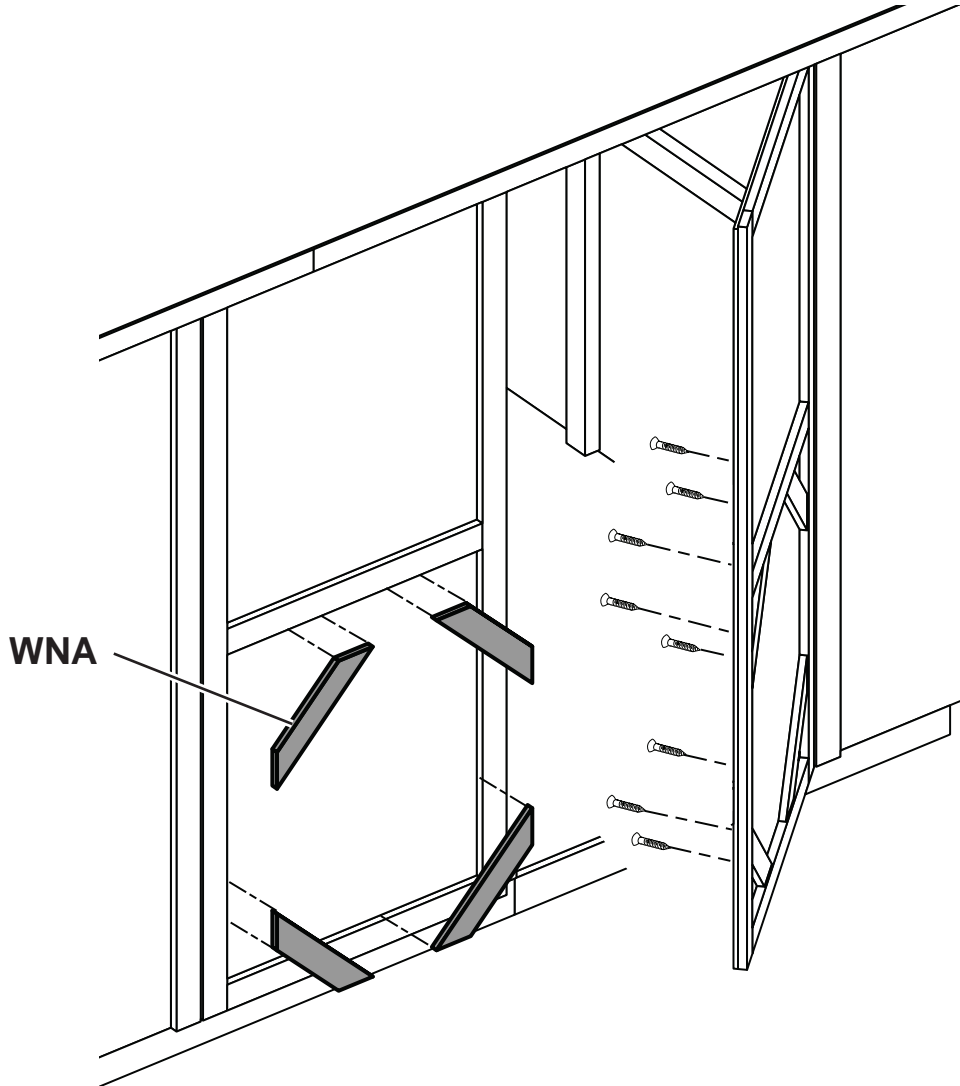
x8  **WNA**
5/8 x 4 x 14" (1,6 x 10 x 35,6 cm)

x18 
3/4" (1,9 cm)



 **BEGIN**

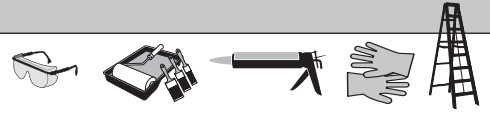
- 1** Install **WNA** on lower section of door panel.
Secure from inside with 3/4" screws as shown.



 **FINISH**

Your door trim is now installed.

PAINT & CAULK - NOT INCLUDED -



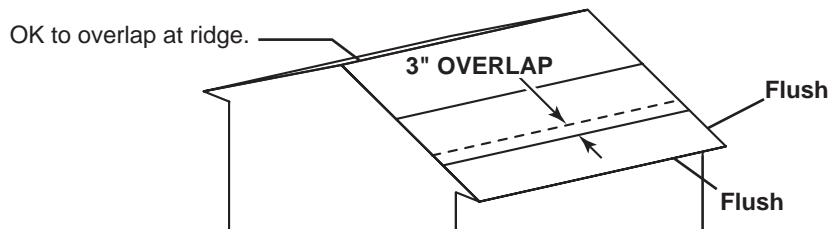
- Use acrylic latex caulk that is paintable. Caulk at all horizontal and vertical seams, between the trim and walls, and all around the door trim.
- Use a high quality exterior acrylic latex paint. When painting your building, there are a few key areas that can be easily overlooked that must be painted:
 - Bottom edge of all siding and trim
 - Inside of doors and all 4 edges

Note:

Prime all un-primed exterior wood before painting.
(Follow directions provided by manufacturer.)

ROOF FELT - NOT INCLUDED -

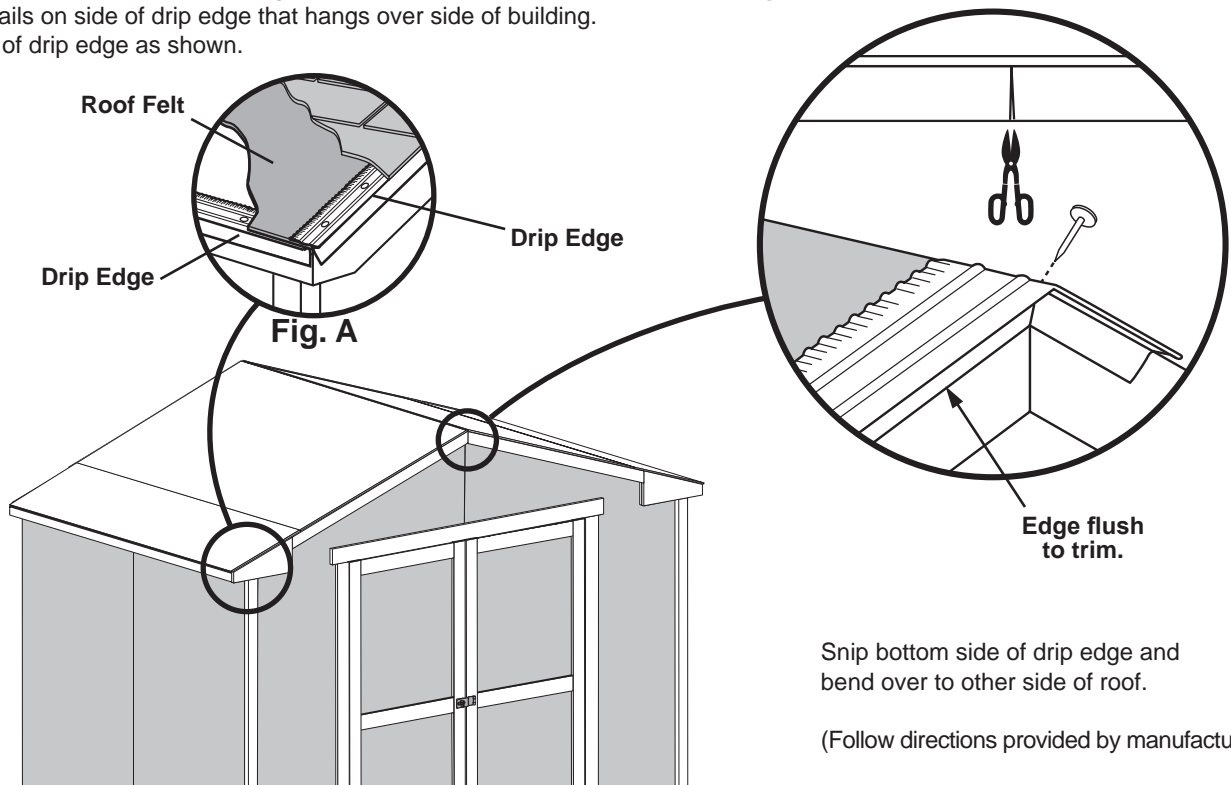
- Install felt flush to all roof edges overlapping 3". Use minimal amount of roofing nails to hold in place.



DRIP EDGE - NOT INCLUDED -



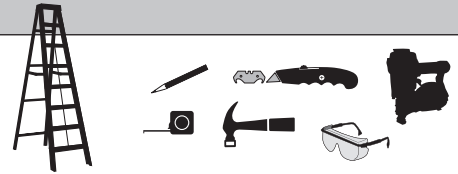
- Install over roof felt or over roof felt on gable side and under roof felt on eave side (**Fig. A**).
- Do not use nails on side of drip edge that hangs over side of building.
- Only nail top of drip edge as shown.



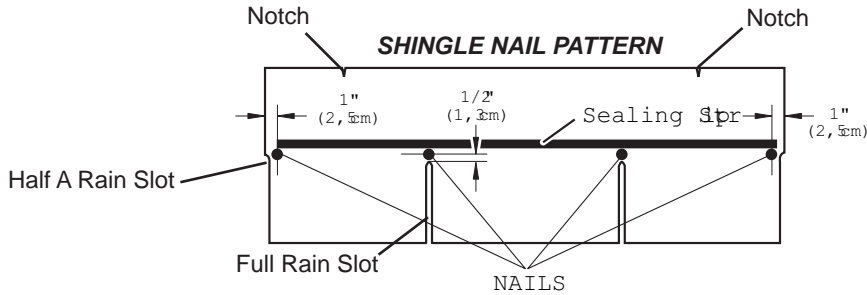
SHINGLES

- NOT INCLUDED -

• Follow directions provided by manufacturer and these instructions.



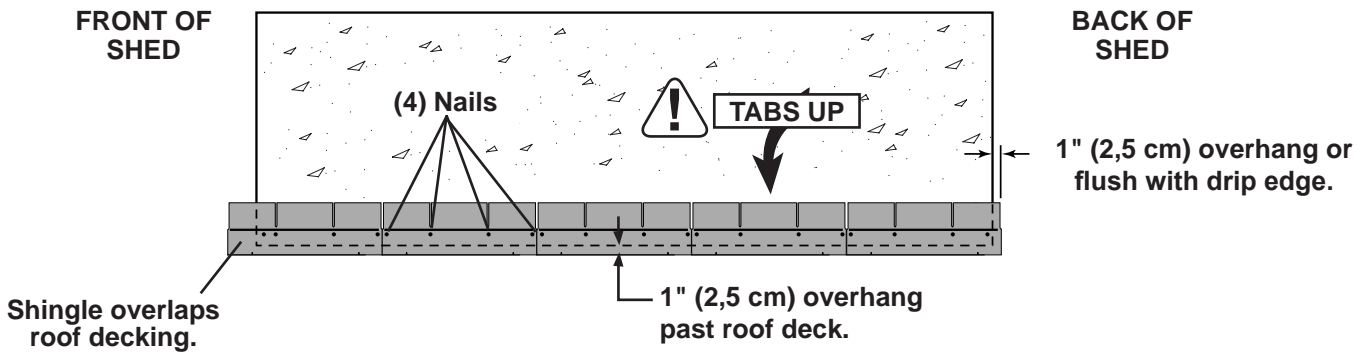
! Familiarize yourself with a 3-Tab Shingle.



! NEVER DRIVE FASTENERS INTO OR ABOVE SEALING STRIPS.

✓ BEGIN

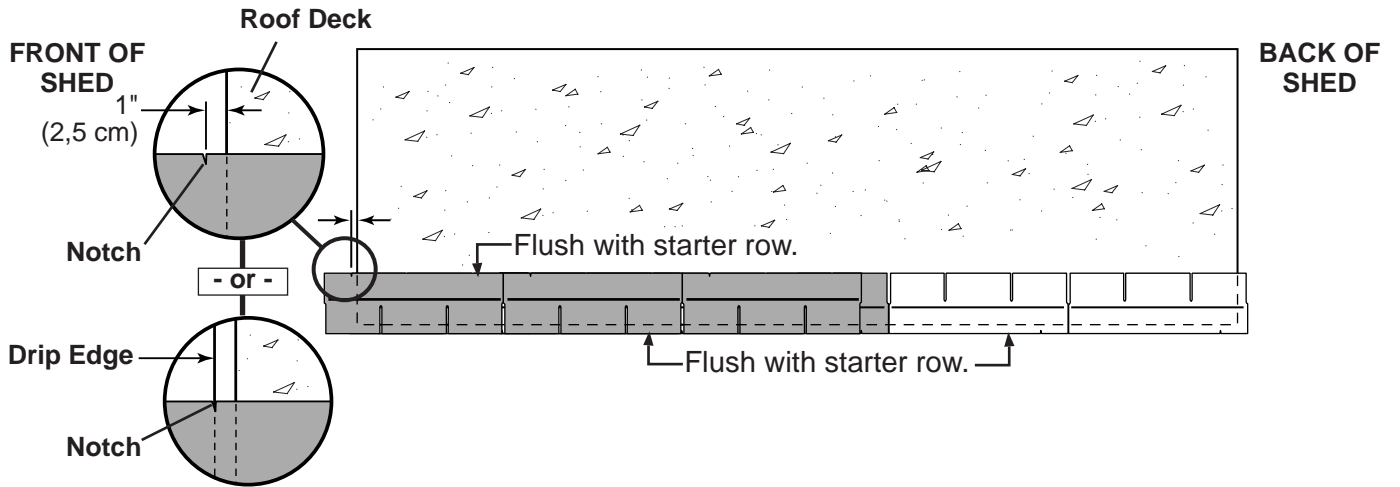
- 1 Install first starter row upside down and color up with a 1" overhang at back and bottom of roof panel. Use (4) nails per shingle. Starter row must be straight and level all the way across with lower edge of roof deck.
NOTE: If you have installed drip edge install shingles flush to drip edge.



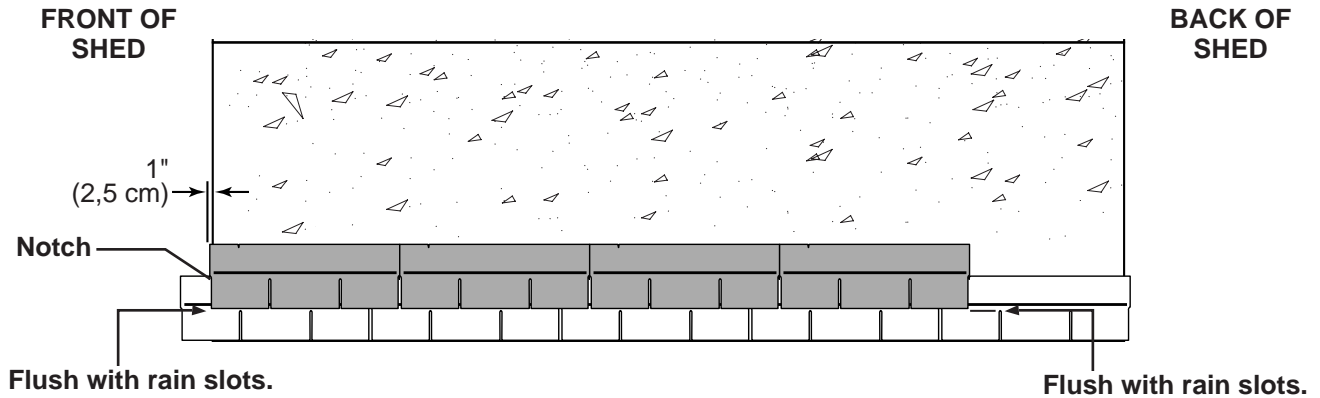
SHINGLES

continued...

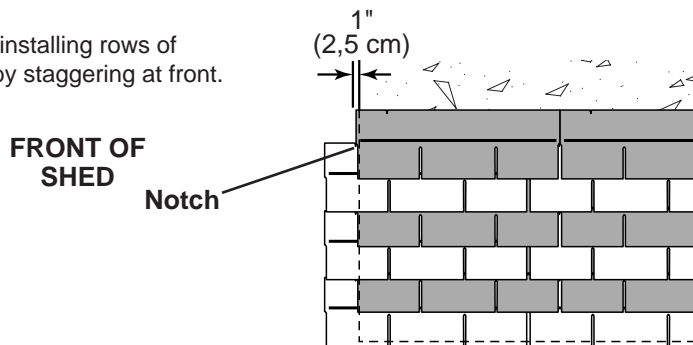
- 2** Beginning at front of shed, install first row of shingles with notch at 1" past roof edge or flush with drip edge.



- 3** Install second row of shingles flush at top of first row's rain slots. Ensure 1" overhang or flush to drip edge at front, stagger each row.



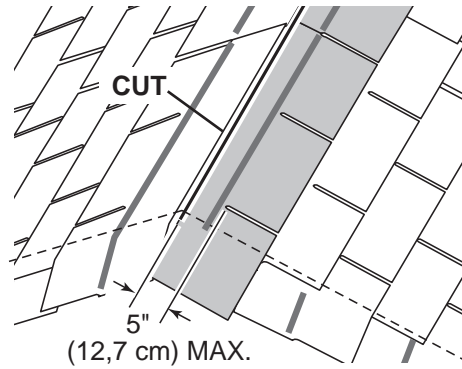
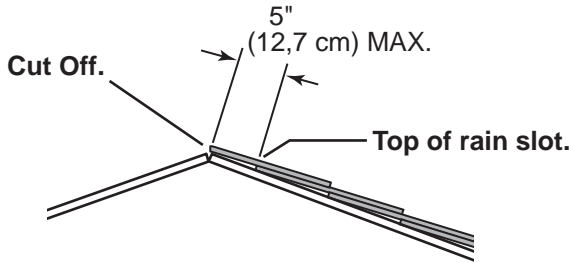
- 4** Continue installing rows of shingles by staggering at front.



SHINGLES

continued...

- 5 Continue installing rows of shingles to the peak. At the peak make sure there is a maximum of 5" or less to the rain slot, as shown below. If shingles overlap at ridge cut to peak with a utility knife.

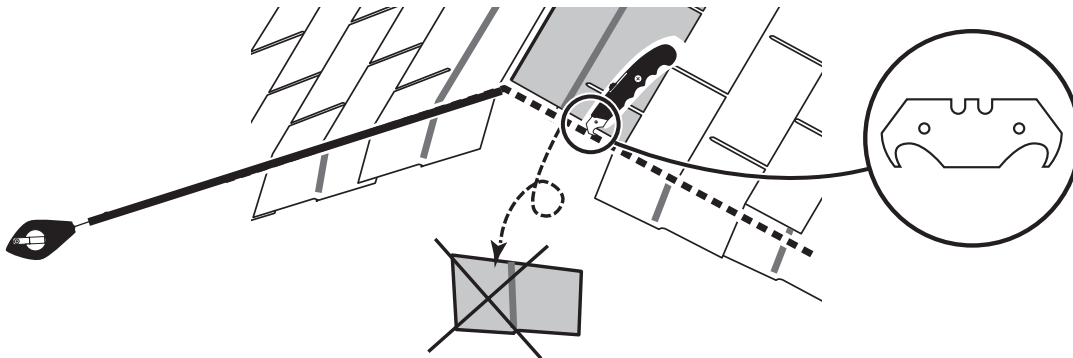


- ! • If more than 5" to rain slot you must install another row of shingles.

- 6 Repeat steps 1 - 7 to shingle the opposite side of your roof. Trim shingles at ridge.

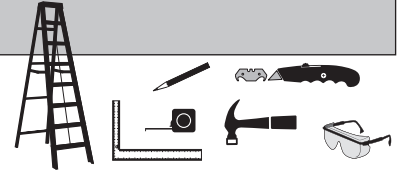
- 7 Once both sides are shingled you need to trim ends. Strike a chalk line 1" from edge.

- 8 Using your shingle hooked blade carefully cut shingles along chalk line.



- 9 You have finished shingling your roof. Proceed to capping the ridge.

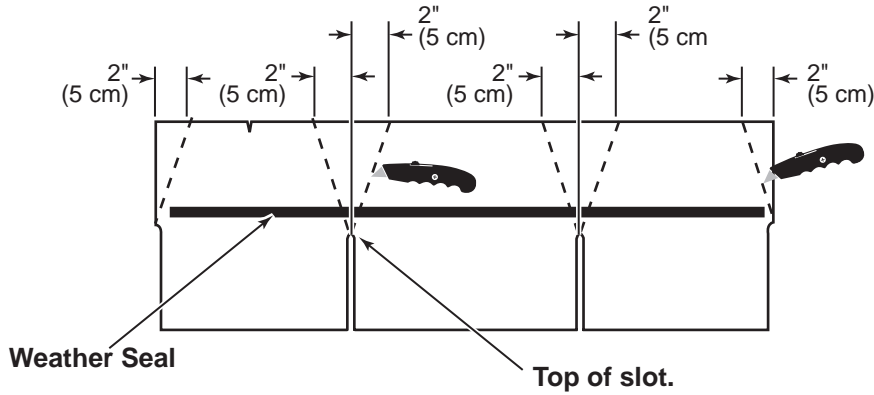
SHINGLES - RIDGE CAP



• You will finish off the top of the roof with a ridge cap made from shingles.

BEGIN

1 Cut shingles into (3) pieces. **Hint:** Use cut-off pieces first.

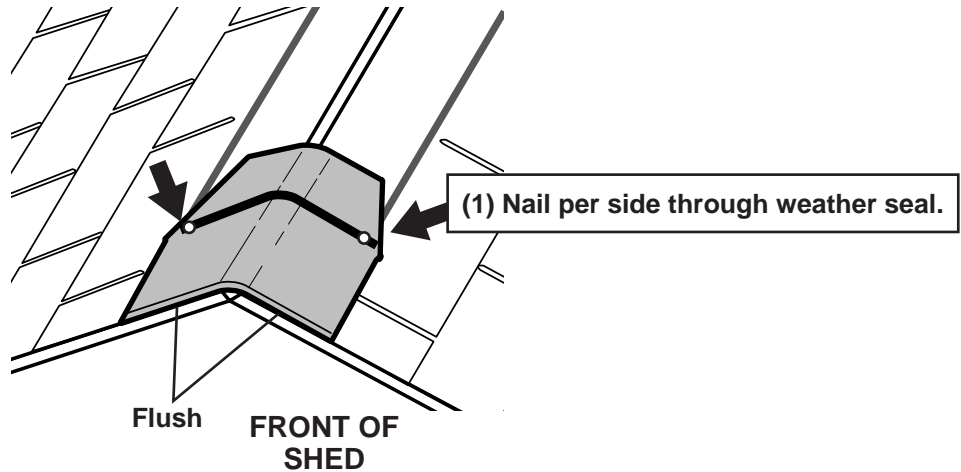


Score shingle, then snap-off angled cut.

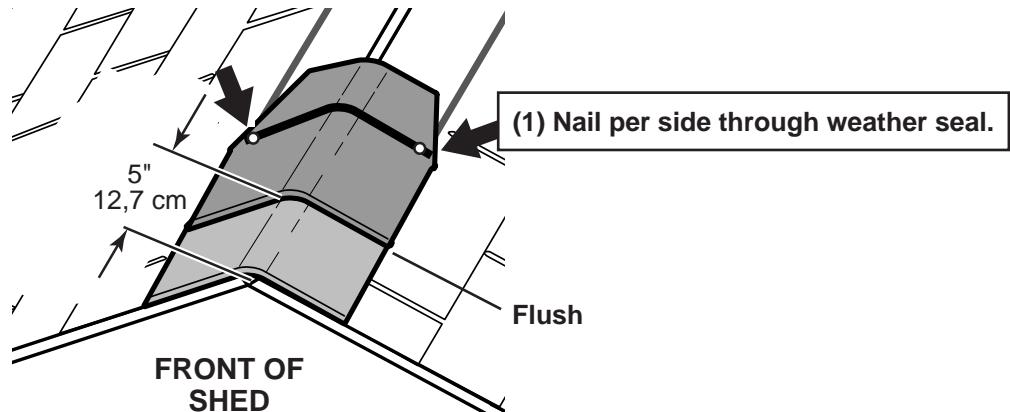
Note: • You will need about 20 - 22 cut pieces.

20 to 22 Pieces

2 Install first ridge cap flush to shingles at front, as shown.



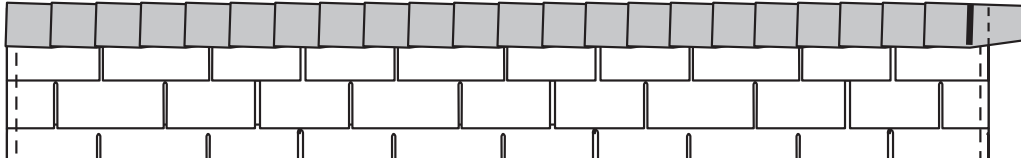
3 Install second ridge cap 5" back, as shown.



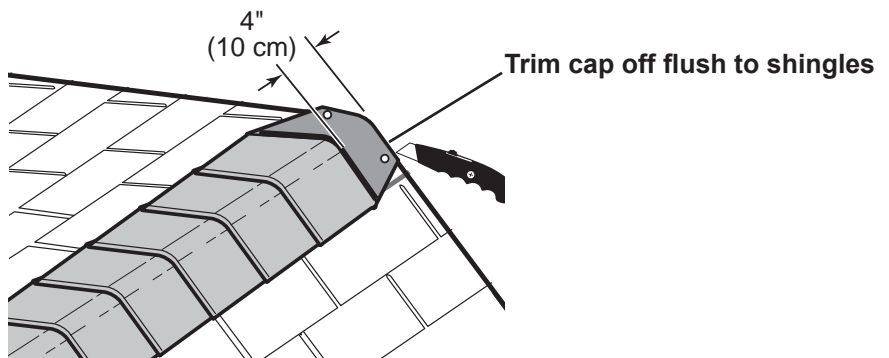
SHINGLES - RIDGE CAP

continued...

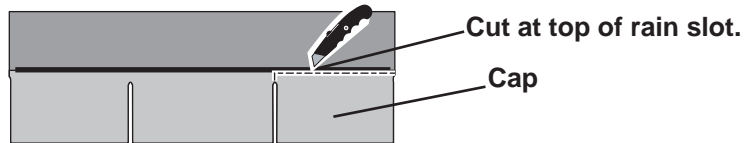
- 4 Continue installing ridge cap to back of roof.



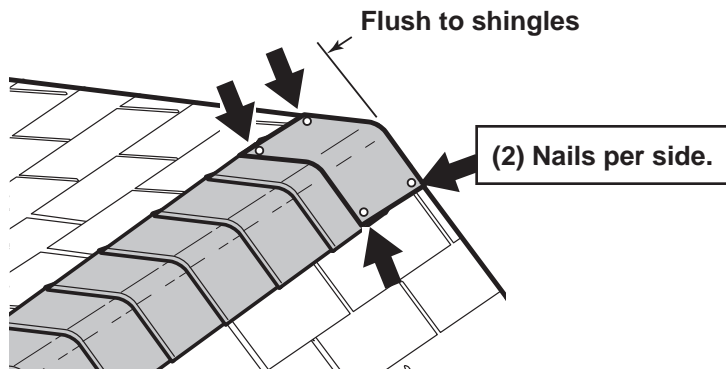
- 5 Make sure there is 4" between the shingle-color and edge of shingles.



- 6 When you have 4" minimum of shingle color cut (1) piece to cap your roof.



- 7 Install flush to shingles.



FINISH

- 8 You have finished your ridge cap.

LIMITED CONDITIONAL WARRANTY*

Backyard Storage Solutions, LLC warrants the following:

1. Every product is warranted from defects in workmanship and manufacturing for 1 year.
2. All accessories, hardware and metal components are warranted for 2 years.
3. All Oriented Strand Board (OSB) is warranted for 2 years
4. Siding and Trim is warranted for 10 years.
5. Solar Shed windows are warranted for 1 year.
6. Cedar lumber is warranted for 15 years.
7. Preserved Pine is warranted for 10 years.
8. Redwood is warranted for 10 years.

Backyard Storage Solutions, LLC will repair, replace or pay for the affected part. In no event shall Backyard Storage Solutions, LLC pay the cost of labor or installation or any other costs related thereto. All warranties are from date of purchase. If a cash refund is paid on an affected part, it will be prorated from the date of purchase.

CONDITIONS

The warranty is effective only when:

1. The unit has been erected in accordance with the assembly instructions.
2. The unit has been properly shingled and painted or stained and reasonably and regularly maintained thereafter.
3. The failure occurs when the unit is owned by the original purchaser.
4. Backyard Storage Solutions, LLC has received the warranty registration card within thirty (30) days of purchase and notification of the failure in writing within the warranty period specified above.
5. Backyard Storage Solutions, LLC has had reasonable opportunity during the sixty (60) days following receipt of notification to inspect and verify the failure prior to commencement of any repair work.

REQUIREMENTS

Storage Buildings

To validate your warranty, it is necessary to properly maintain your Backyard Storage Solutions, LLC unit; shingle the roof and paint or solid-colored stain the siding using quality, 100% acrylic latex exterior product with a minimum of two (2) coats within thirty (30) days of assembly; caulk above all doors and all horizontal and vertical trim boards; paint and seal all exposed edges, sides and faces of siding/trim and OSB siding to include all exterior walls and all sides and all edges of doors.

Gazebos & Pergolas

To validate your warranty, it is necessary to properly maintain your Backyard Storage Solutions, LLC unit. This includes treating all of the exposed cedar and pine surfaces on your gazebo or pergola structure with an exterior grade wood preservative, an exterior oil-based semi-transparent stain, an acrylic latex exterior paint or an acrylic latex solid color exterior stain within 30 days of assembly and as needed thereafter to maintain your warranty.

Keep vegetation trimmed away from building and make sure siding panels and trim do not come in contact with masonry or cement. The minimum ground clearance for siding must be one half inch (½ inch) from concrete slab or two and one half inches (2 ½”) from the ground when building is erected or constructed on a treated wood floor kit. Water from sprinklers must be kept off unit. In no event will Backyard Storage Solutions, LLC be responsible for any indirect, incidental, consequential or special damages nor for failure(s) that are caused by events, acts or omissions beyond our control including, but not limited to, misuse or improper assembly, improper maintenance (which eventually leads to rot or decay) and acts of God. Backyard Storage Solutions, LLC will not be held responsible for any labor costs incurred to construct your unit.

This warranty gives you certain specific rights that vary from state to state.

CLAIM PROCEDURE

To make a claim under this warranty, you can either call 1-888-827-9056 or email: customerservice@backyardproducts.com.

Please have ready the information below when you call or include the information in your email:

1. The model and size of the product.
2. A list of the part(s) for which the claim is made.
3. Proof of purchase of the Backyard Storage Solutions, LLC item, as shown on the original invoice or receipt.
4. Run code: found on exterior product label or assembly instructions enclosed in the product package.

All other inquiries can be mailed to:

Backyard Storage Solutions, LLC
Attn: Customer Service
1000 Ternes
Monroe, MI 48162

***WARRANTY TERMS MAY VARY OUTSIDE THE U.S.A.
IMPORTANT: This is your warranty certificate.**

10Y MV LDR: 3/20/2019